



US00D983406S

(12) **United States Design Patent**
Schikurski et al.

(10) **Patent No.:** **US D983,406 S**
(45) **Date of Patent:** **** Apr. 11, 2023**

(54) **PURGING BOTTLE**

(71) Applicant: **Agilent Technologies, Inc**, Santa Clara, CA (US)

(72) Inventors: **Olga Schikurski**, Ettlingen (DE);
Manuel Van-Venrooy, Schopfheim (DE); **Tiantian Li**, Karlsruhe (DE)

(73) Assignee: **AGILENT TECHNOLOGIES, INC.**, Santa Clara, CA (US)

(**) Term: **15 Years**

(21) Appl. No.: **29/778,841**

(22) Filed: **Apr. 15, 2021**

(51) **LOC (14) Cl.** **24-02**

(52) **U.S. Cl.**
USPC **D24/224**

(58) **Field of Classification Search**
USPC D24/107, 108, 121, 186, 216, 217, 224,
D24/231, 232; D9/446, 454, 503, 558;
D3/201, 202, 203.1, 203.2
CPC A61B 10/0045; A61B 10/0048; A61B
10/0051; A61M 1/0058; A61M 1/77;
A61M 1/92; A61M 35/003; A61M 35/00
See application file for complete search history.

(56) **References Cited**

U.S. PATENT DOCUMENTS

D43,179 S * 10/1912 Parslow D9/526
D101,590 S * 10/1936 Patterson D19/93
4,334,028 A * 6/1982 Carver C12M 23/32
422/547
D290,999 S * 7/1987 Novak D9/520
D326,527 S * 5/1992 Straus D24/224
D326,606 S * 6/1992 Green D9/741
D336,607 S * 6/1993 Nye D9/523
D338,405 S * 8/1993 Charbonneau D9/557
D363,354 S * 10/1995 Stark D24/224
D420,576 S * 2/2000 Abraskin D9/524
D449,224 S * 10/2001 Kaufman D9/524

D451,029 S * 11/2001 Hoffmann D9/524
D475,626 S * 6/2003 Barrow D9/526
D482,794 S * 11/2003 Whitley D9/520

(Continued)

FOREIGN PATENT DOCUMENTS

CN 202030230667.7 * 10/2020

OTHER PUBLICATIONS

InfinityLab Stay Safe Purging Bottle. Online, published date unknown. Retrieved on Aug. 26, 2022 from URL: <https://www.agilent.com/cs/library/packageinsert/public/in-infinitylab-purging-bottle-5994-3134en-agilent.pdf>.*

(Continued)

Primary Examiner — Omeed Agilee

(74) *Attorney, Agent, or Firm* — Mannava & Kang, P.C.; Carol L. Bunner

(57) **CLAIM**

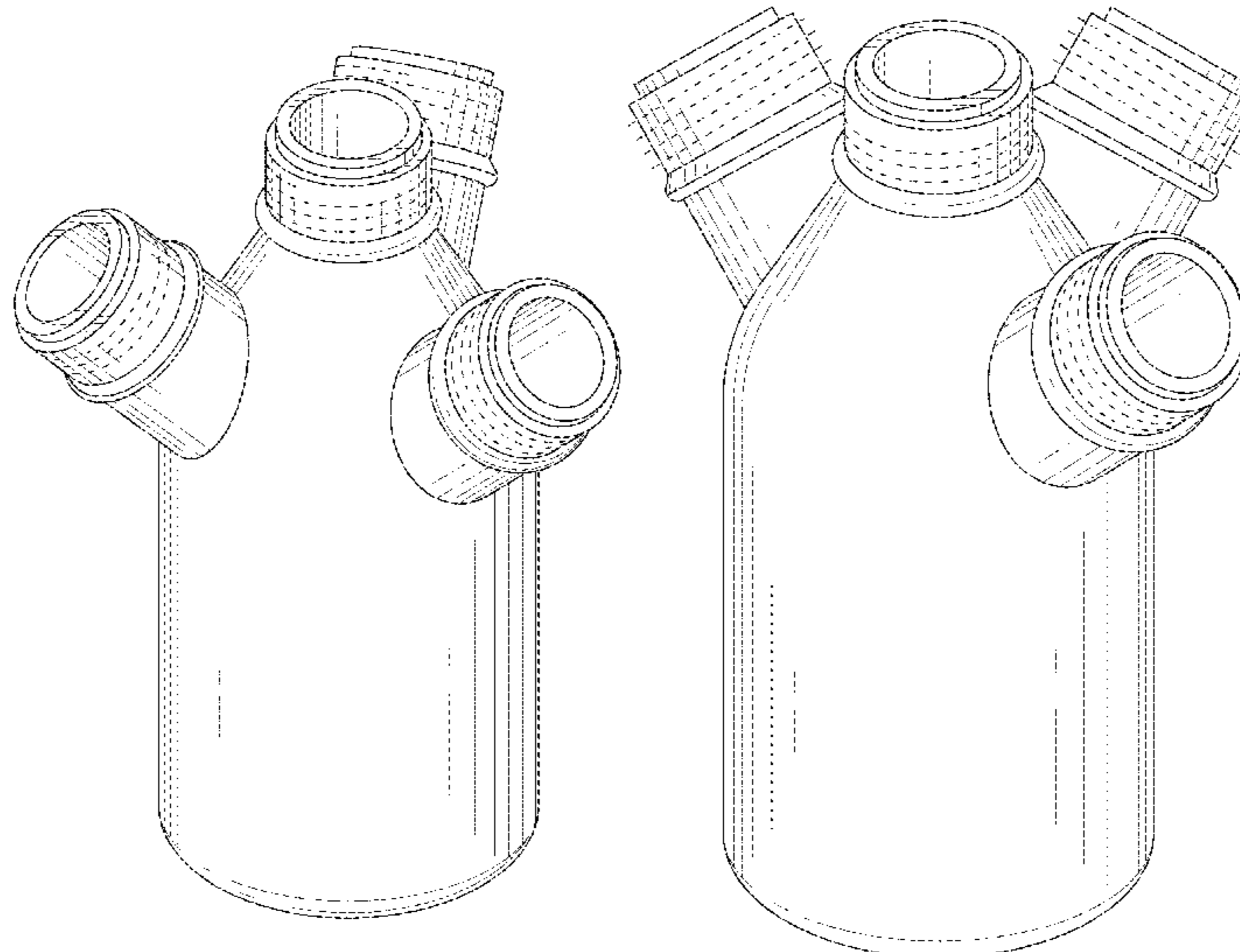
The ornamental design for a purging bottle, as shown and described.

DESCRIPTION

FIG. 1 is a top perspective view of a first embodiment of a purging bottle showing a new design; FIG. 2 is a first side view thereof; FIG. 3 is a second side view thereof; FIG. 4 is a top view thereof; FIG. 5 is a bottom view thereof; FIG. 6 is a top perspective view of a second embodiment of a purging bottle showing a new design; FIG. 7 is a first side view thereof; FIG. 8 is a second side view thereof; FIG. 9 is a top view thereof; and, FIG. 10 is a bottom view thereof.

In the drawings, the broken lines depict environmental subject matter only and form no part of the claimed design.

1 Claim, 8 Drawing Sheets



(56)

References Cited

U.S. PATENT DOCUMENTS

D482,795 S * 11/2003 Whitley D9/556
D539,167 S * 3/2007 Garrett D9/563
D594,131 S * 6/2009 Nguyen D24/216
D668,774 S * 10/2012 Shanler D24/224
D685,497 S * 7/2013 Kenney D24/224
D685,640 S * 7/2013 Laurita D9/526
D729,637 S * 5/2015 Jarbo D9/558
D799,060 S * 10/2017 Ammar D24/231
D901,717 S * 11/2020 Unger G09F 23/00
D24/224

OTHER PUBLICATIONS

S.C.A.T, (4-in-1 collector, "Werner", GLS80), downloaded on the Internet on Aug. 20, 2021, 3 pages. <<https://scat-europe.com/en/products/hplc-solvent-supply/safety-caps/61/4-in-1-collector-werner-gls80>>.

BGB Products, "Safety-Adapter, PP, GL45 4-in-1", downloaded on the Internet on Aug. 20, 2021, 2 pages. <<https://www.bgb-info.com/product.php?productid=1336077&page=1>>.

BGB Products, "Safety-Adapter, PP, GL-45 Y-2-in-1", downloaded on the Internet on Aug. 20, 2021, 2 pages. <<https://www.bgb-info.com/product.php?productid=1210840>>.

Agilent, "Solvent Reservoir, Solvent bottle (GL45)", downloaded on the Internet on Aug. 31, 2021, 4 pages. <https://www.agilent.com/store/en_US/Prod-5065-4421/5065-4421>.

* cited by examiner

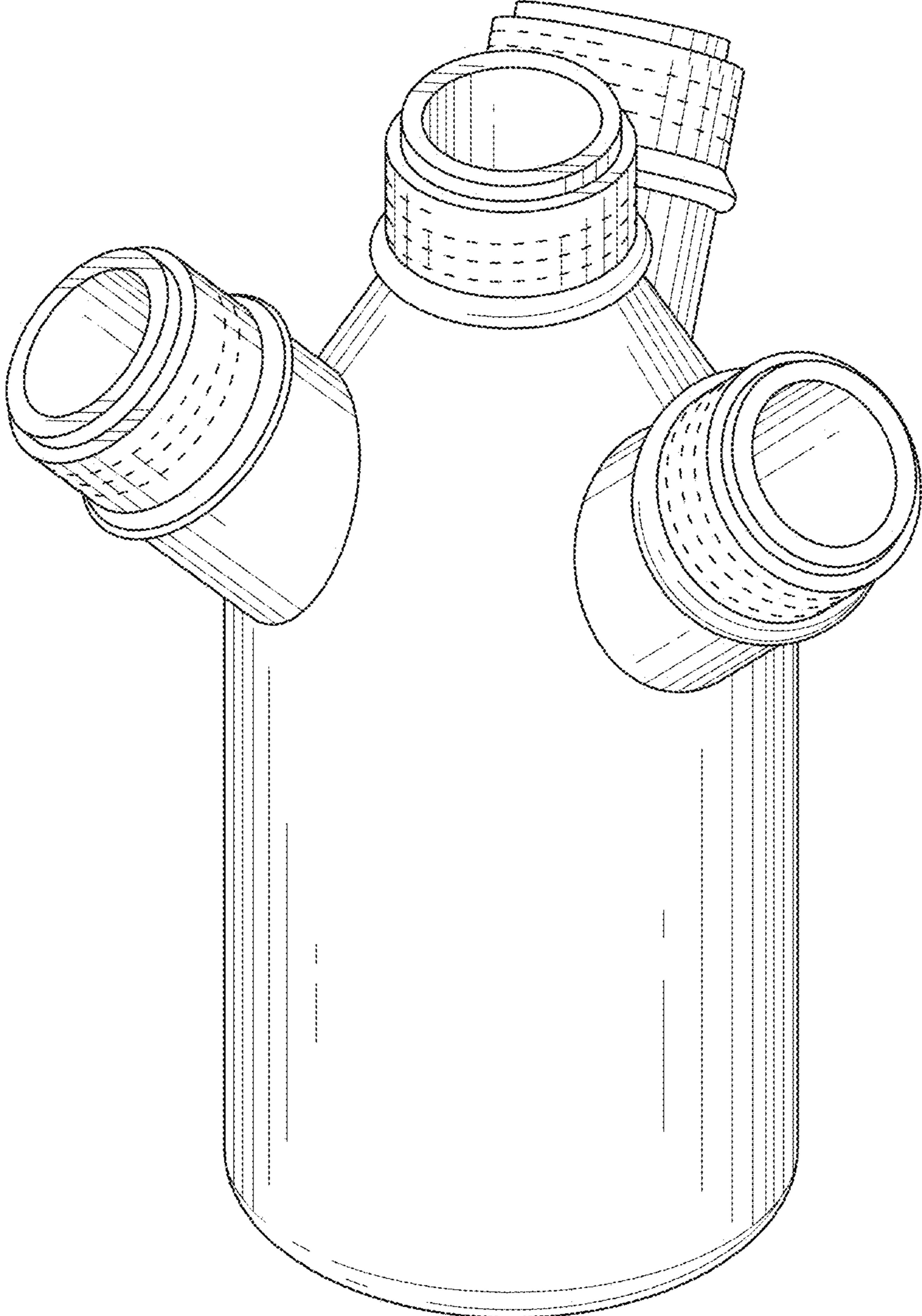


FIG. 1

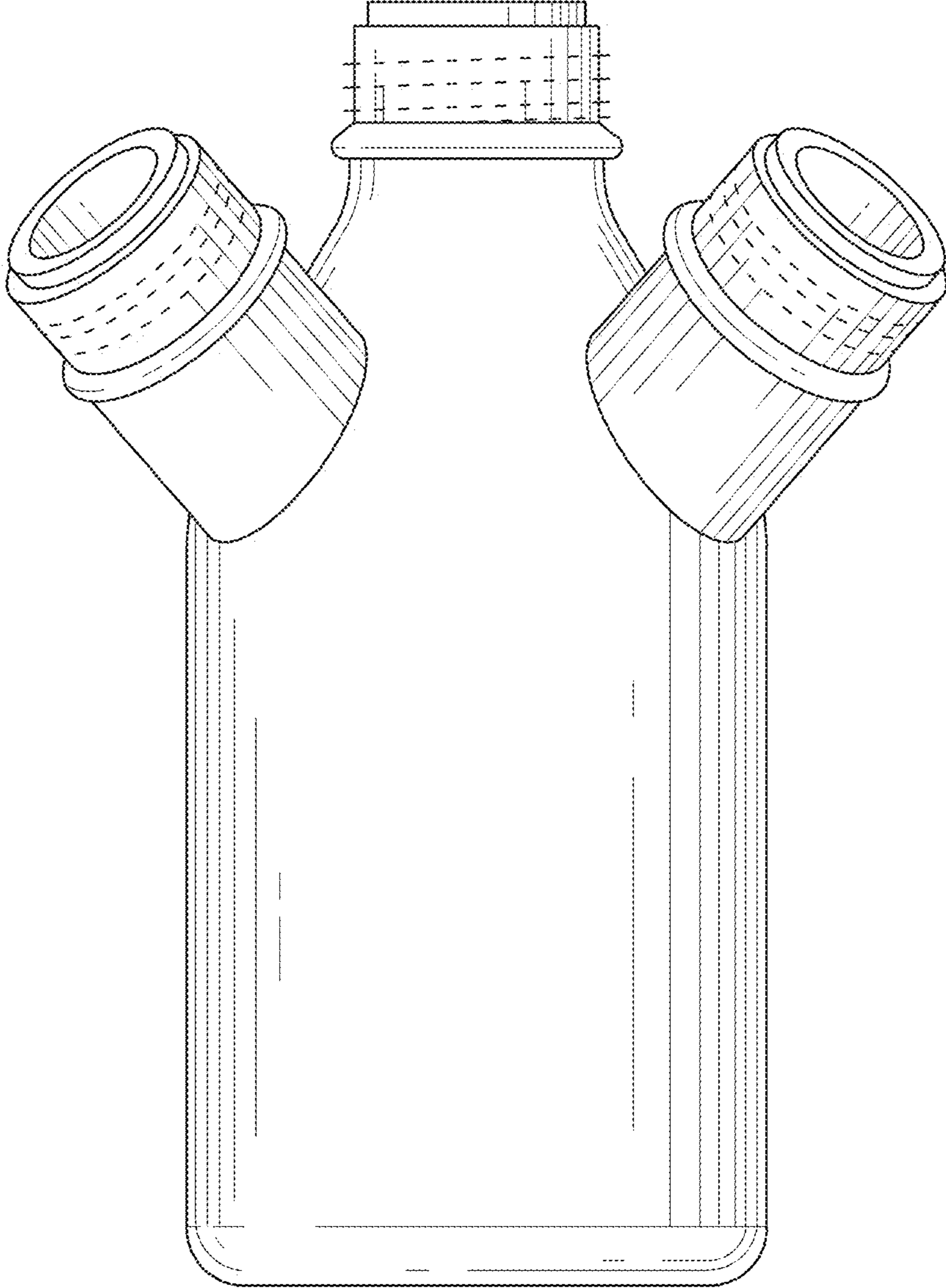


FIG. 2

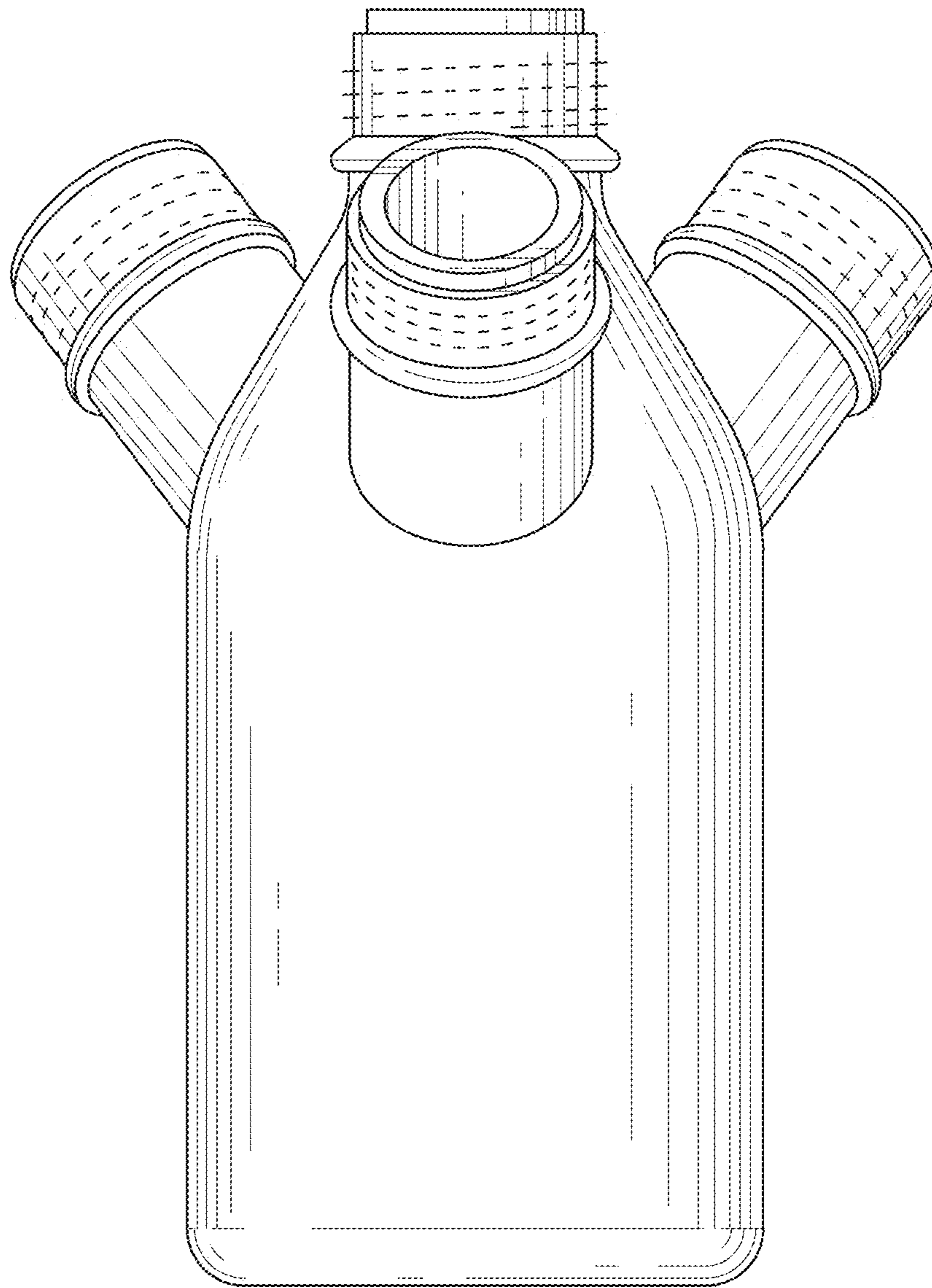


FIG. 3

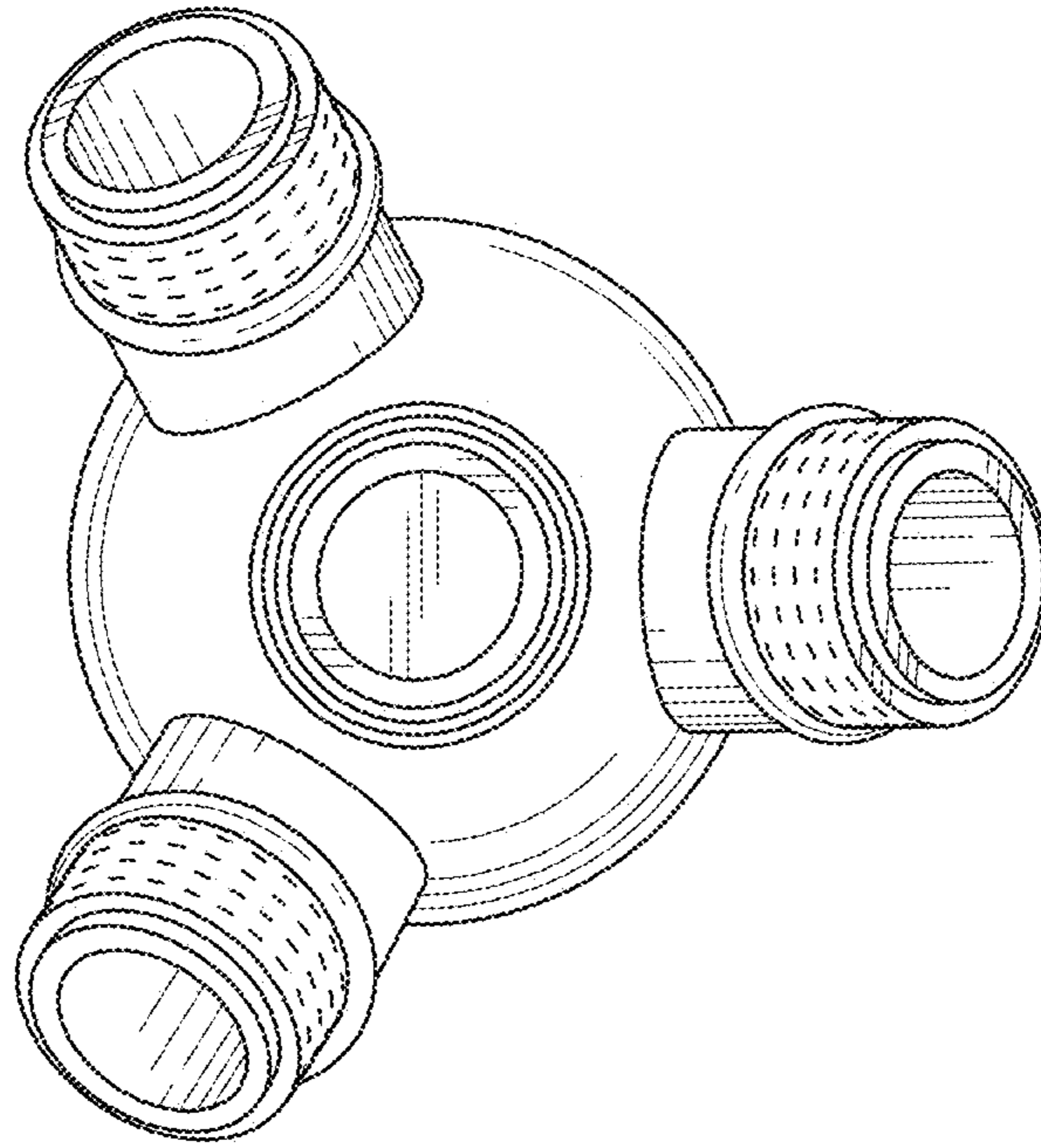


FIG. 4

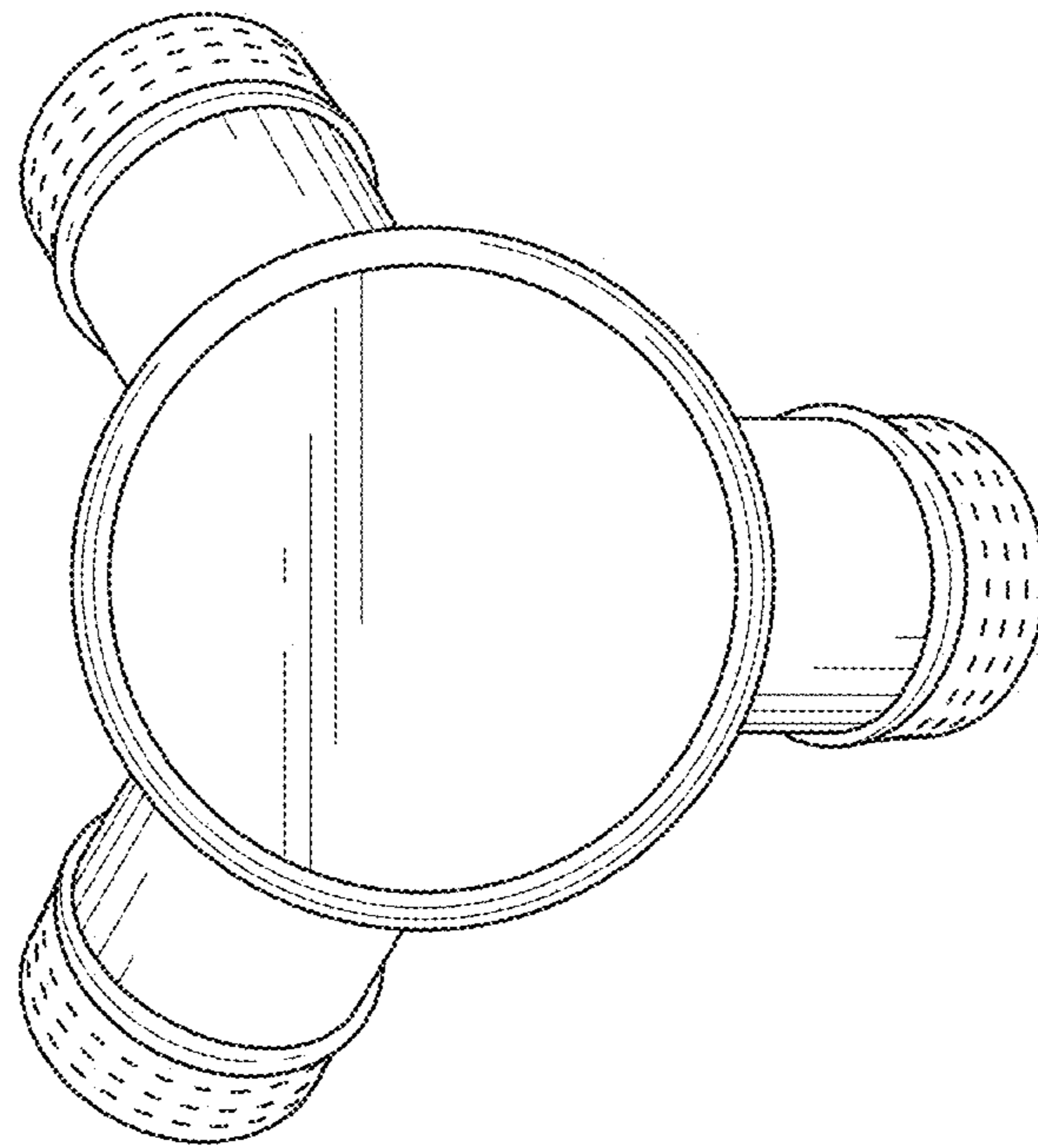


FIG. 5

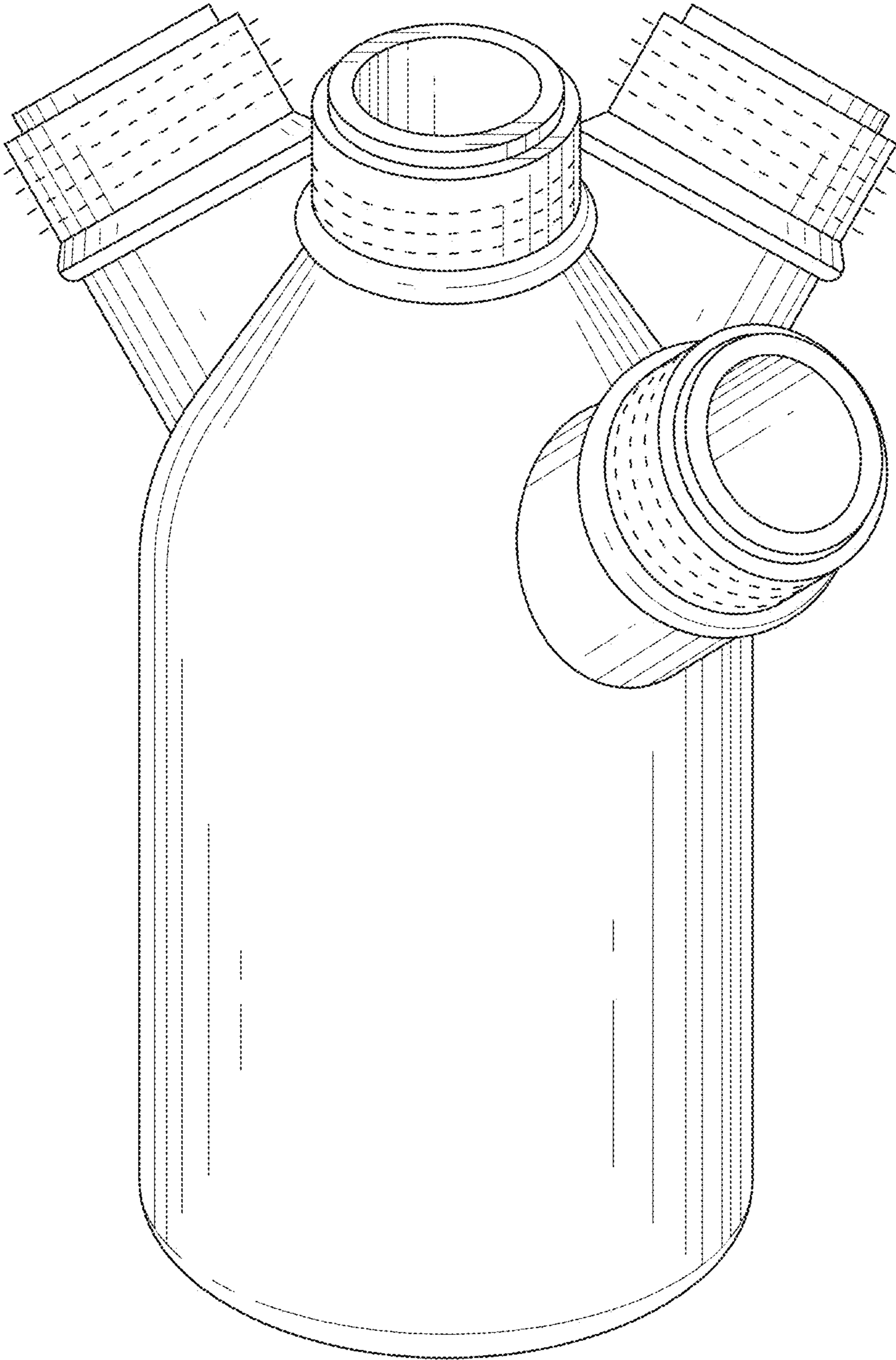


FIG. 6

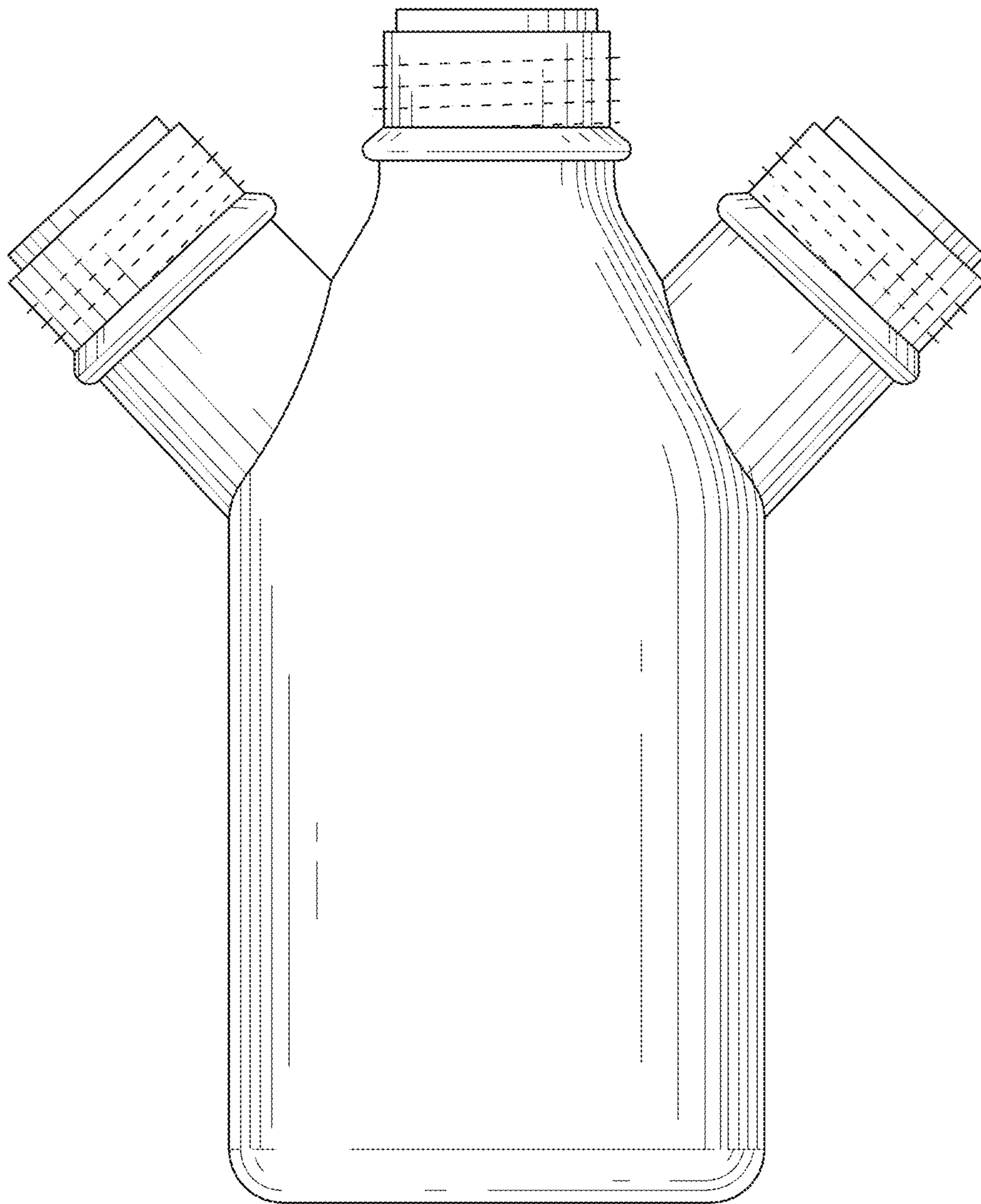


FIG. 7

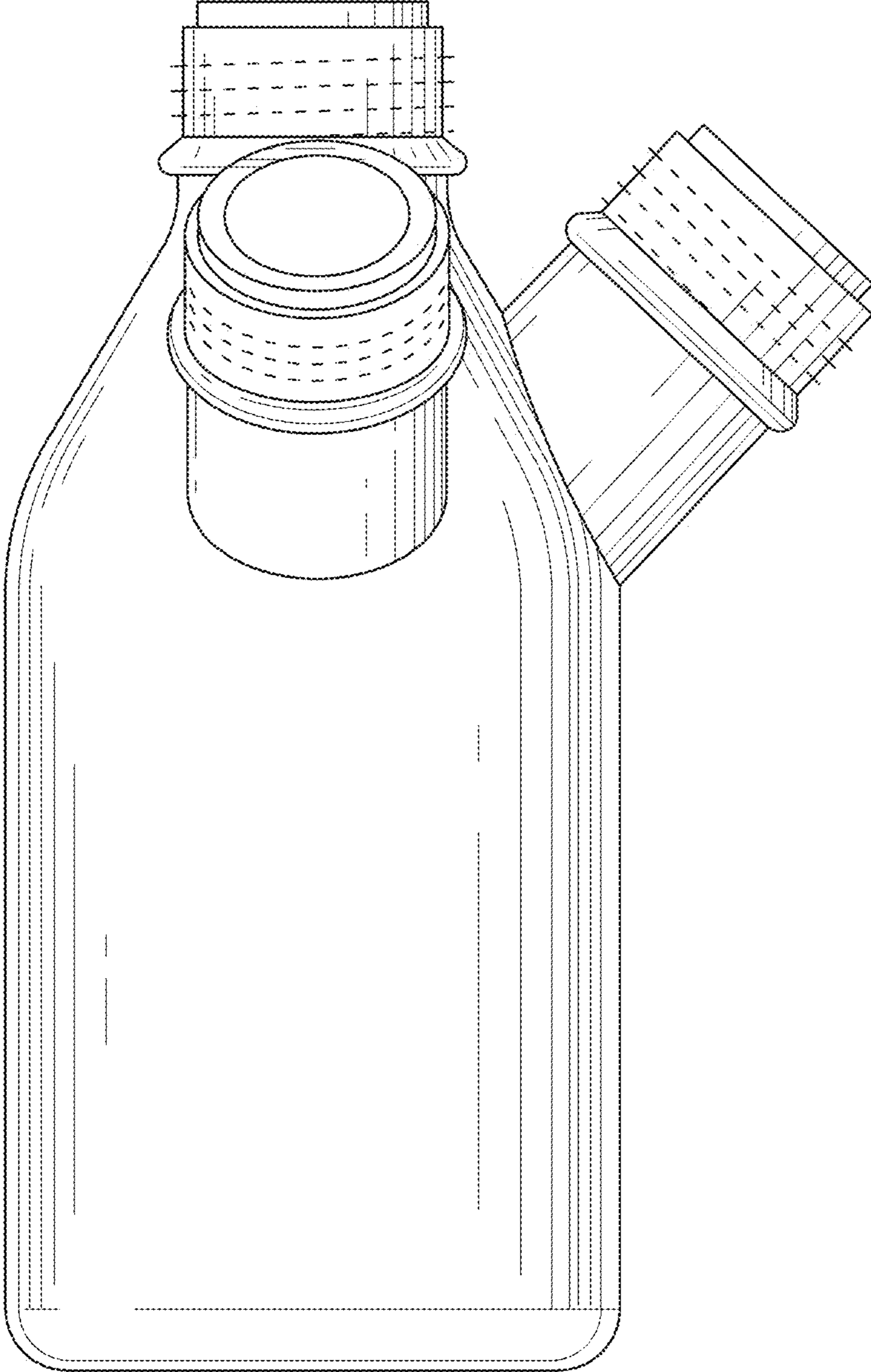


FIG. 8

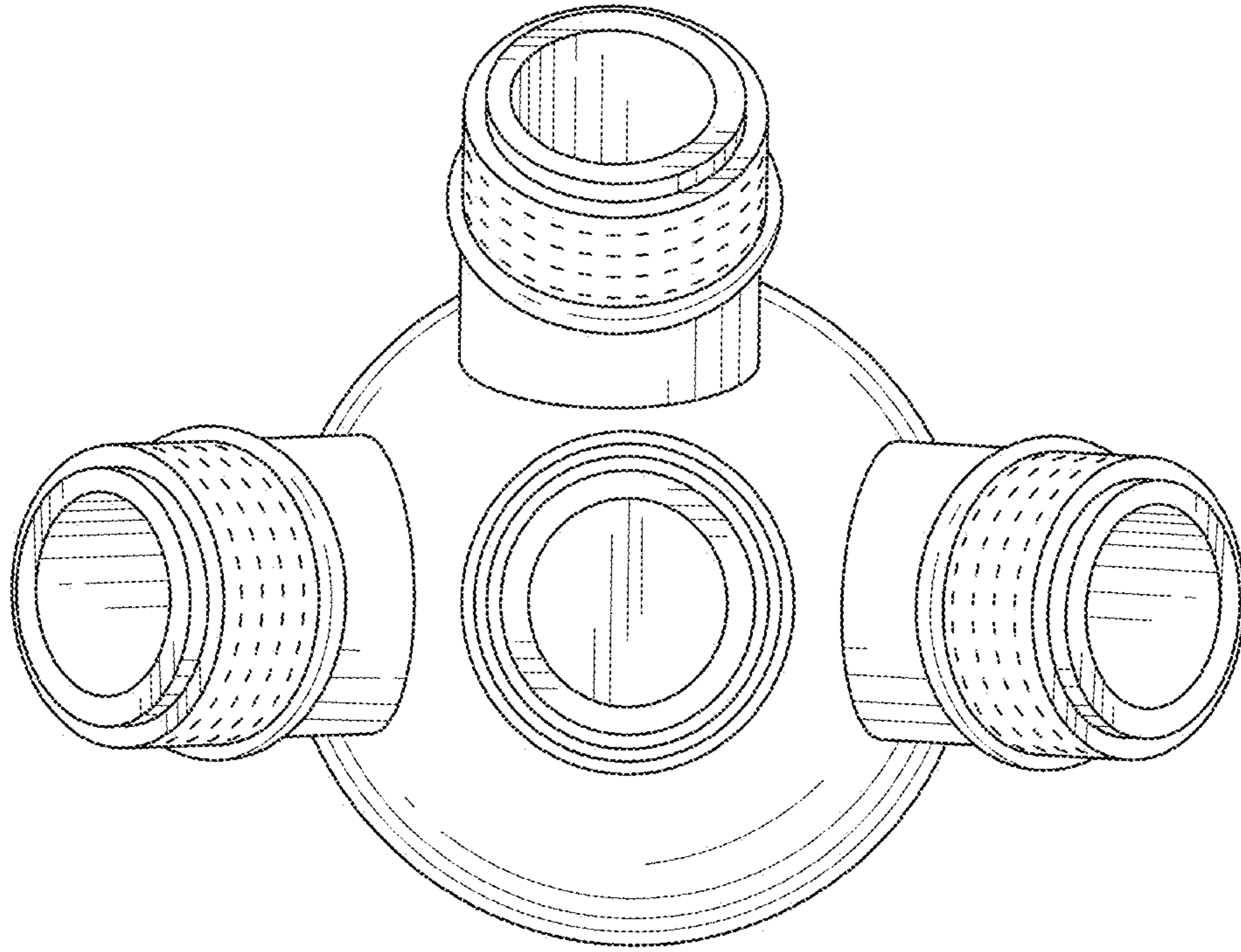


FIG. 9

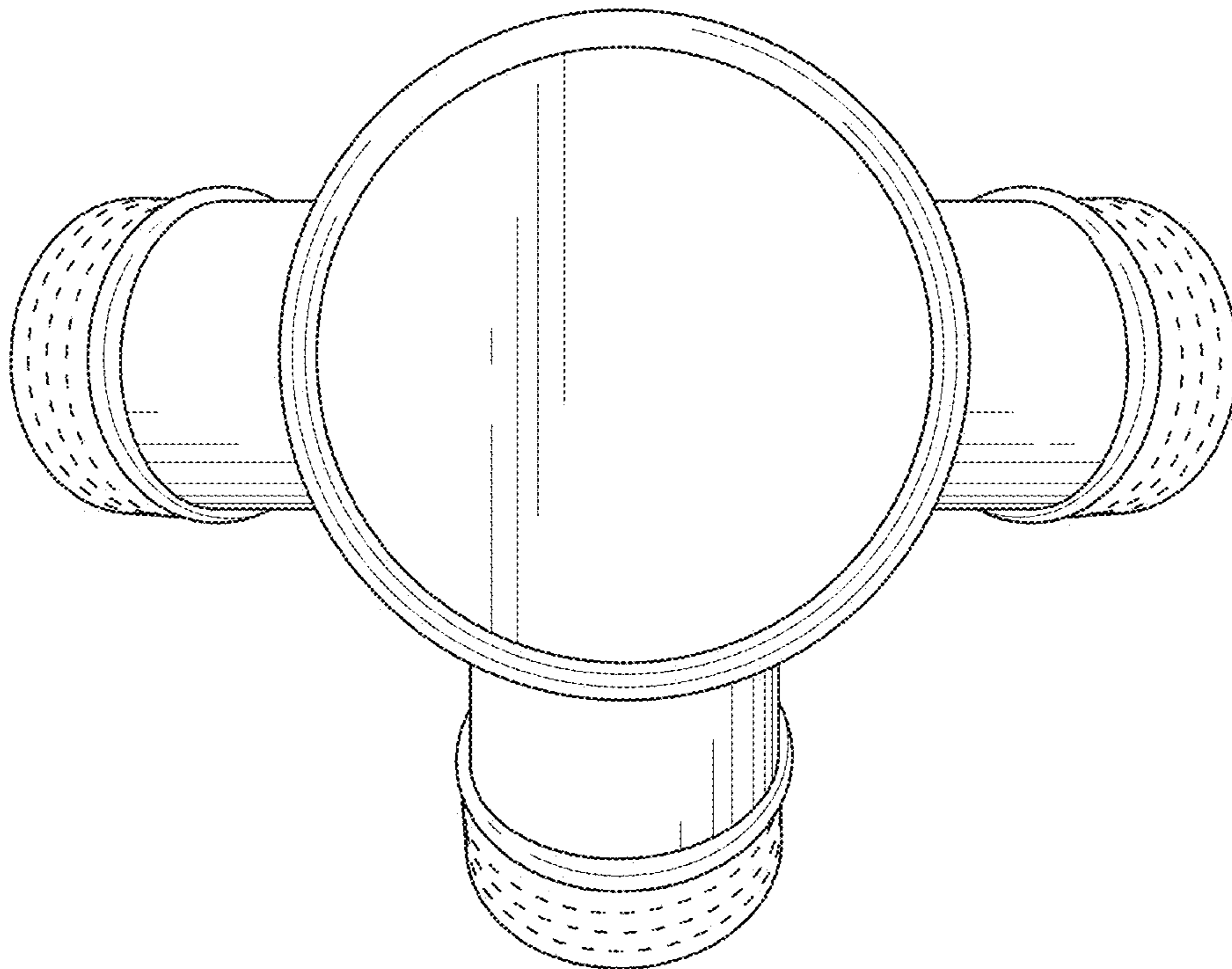


FIG. 10