



US00D983403S

(12) **United States Design Patent** (10) **Patent No.:** **US D983,403 S**  
**Fang et al.** (45) **Date of Patent:** **\*\* Apr. 11, 2023**

(54) **MEDICAL SAMPLE TEST DEVICE**

(71) Applicants: **Zhejiang Orient Gene Biotech Co., Ltd**, Zhejiang (CN); **Healgen Scientific Limited**, Houston, TX (US)

(72) Inventors: **Jianqiu Fang**, Zhejiang (CN); **Siyu Lei**, Zhejiang (CN); **Hua Zhang**, Zhejiang (CN)

(73) Assignees: **ZHEJIANG ORIENT GENE BIOTECH CO., LTD**, Huzhou (CN); **HEALGEN SCIENTIFIC LIMITED**, Houston, TX (US)

(\*\*) Term: **15 Years**

(21) Appl. No.: **29/756,672**

(22) Filed: **Oct. 29, 2020**

(30) **Foreign Application Priority Data**

Sep. 27, 2020 (CN) ..... 202030579385.8

(51) **LOC (14) Cl.** ..... **24-02**

(52) **U.S. Cl.**

USPC ..... **D24/223**

(58) **Field of Classification Search**

USPC ..... D10/46, 81; D24/216, 223, 225

CPC ..... G01N 2035/0436; G01N 33/5304; G01N 33/5302; G01N 35/00029; G01N 33/558; G01N 2035/00148; G01N 21/78; G01N 2035/00108; G01N 33/50; G01N 33/53; Y10S 435/97; Y10S 435/81; A61B 2010/0006

See application file for complete search history.

(56) **References Cited**

U.S. PATENT DOCUMENTS

5,962,336 A \* 10/1999 Sun ..... G01N 33/54366 436/805

D500,142 S \* 12/2004 Crisanti ..... D24/223

D729,401 S \* 5/2015 Ettlin ..... D24/223

D750,991 S \* 3/2016 Ettlin ..... D24/223

D954,982 S \* 6/2022 Ye ..... D24/223

D954,983 S \* 6/2022 Ye ..... D24/223

D959,015 S \* 7/2022 Fang ..... D24/223

2006/0275754 A1 \* 12/2006 Kuronen ..... G01N 33/54313 435/5

2016/0003819 A1 \* 1/2016 Curran ..... G01N 33/56988 506/9

2018/0106789 A1 \* 4/2018 Pulitzer ..... G01N 33/5302

2018/0356393 A1 \* 12/2018 Piasio ..... G01N 27/3272

2021/0325388 A1 \* 10/2021 Ye ..... G01N 33/54387

\* cited by examiner

*Primary Examiner* — George D. Kirschbaum  
*Assistant Examiner* — Lillian Windham

(74) *Attorney, Agent, or Firm* — NZ Carr Law Office

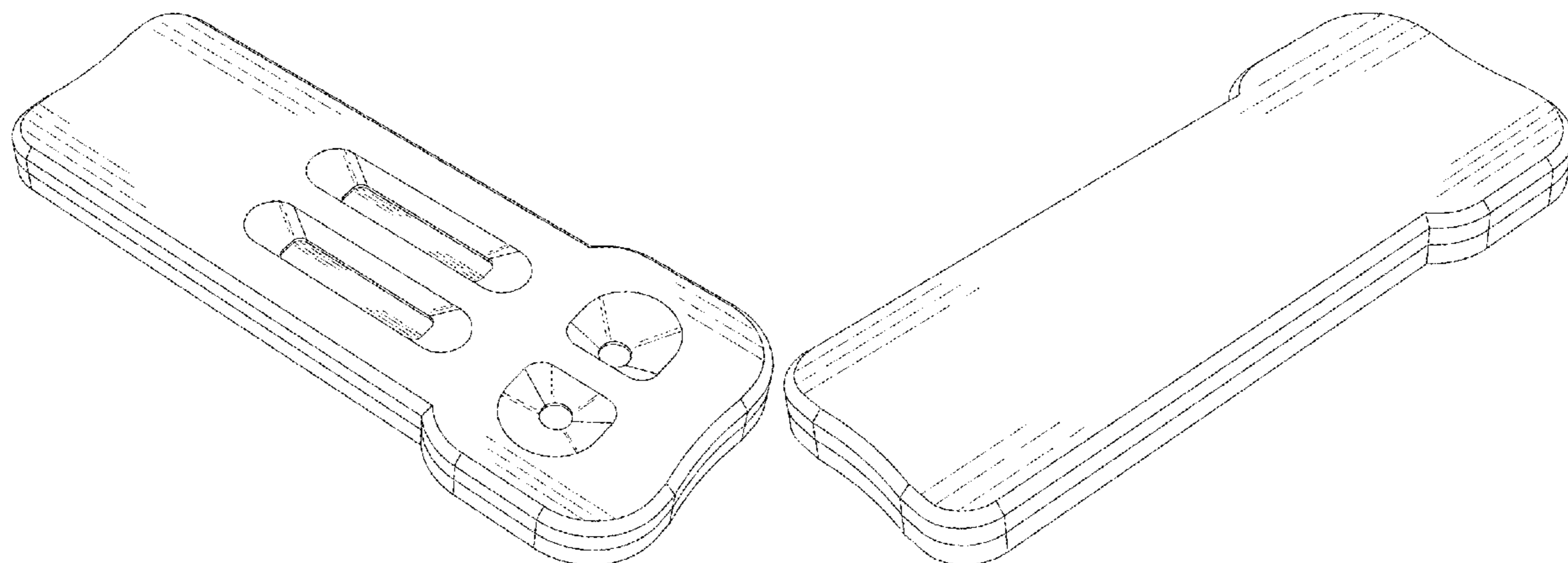
(57) **CLAIM**

We claim the ornamental design for a medical sample test device, as shown and described.

**DESCRIPTION**

FIG. 1 is a front view of a medical sample test device showing our new design;  
FIG. 2 is a back view thereof;  
FIG. 3 is a left view thereof;  
FIG. 4 is a right view thereof;  
FIG. 5 is a top view thereof;  
FIG. 6 is a bottom view thereof;  
FIG. 7 is a front perspective view thereof; and,  
FIG. 8 is a back perspective view thereof.

**1 Claim, 8 Drawing Sheets**



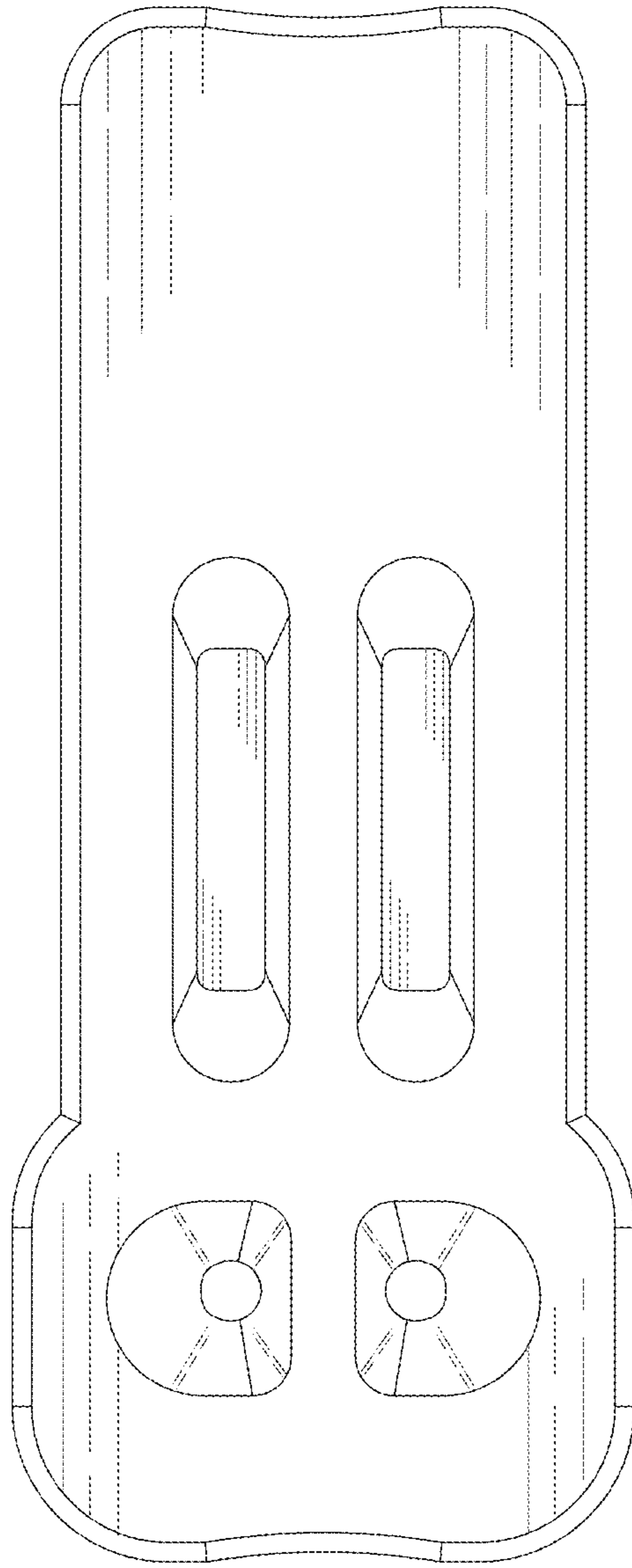


FIG.1

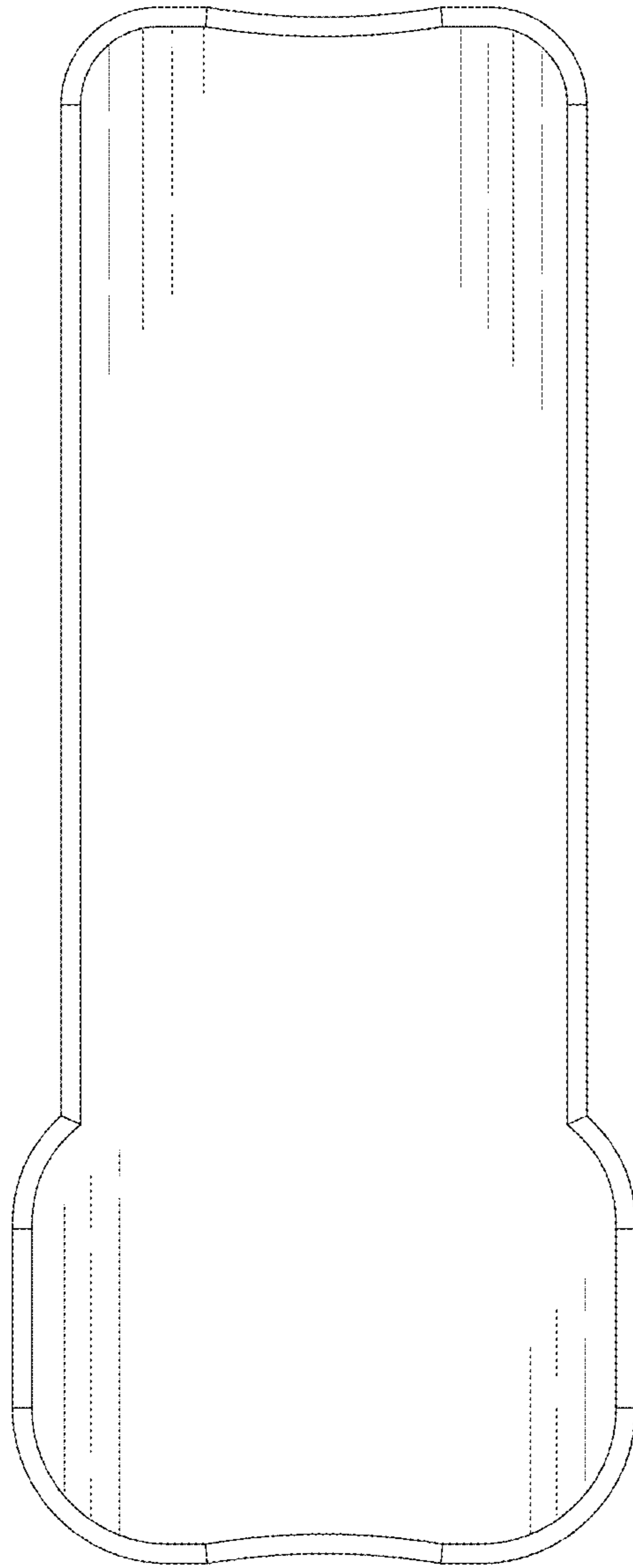


FIG.2

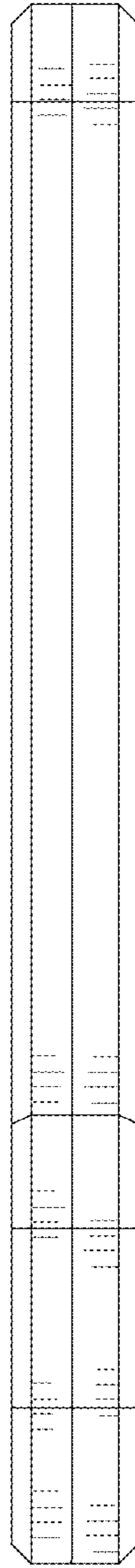


FIG.3

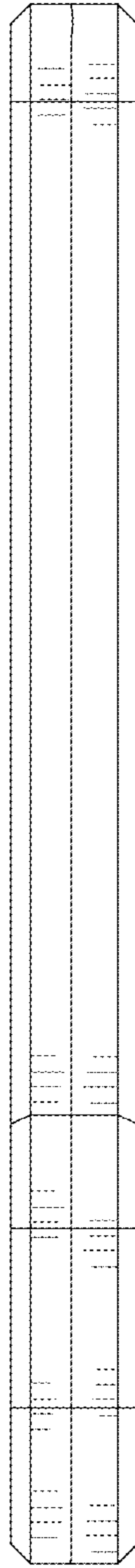


FIG.4

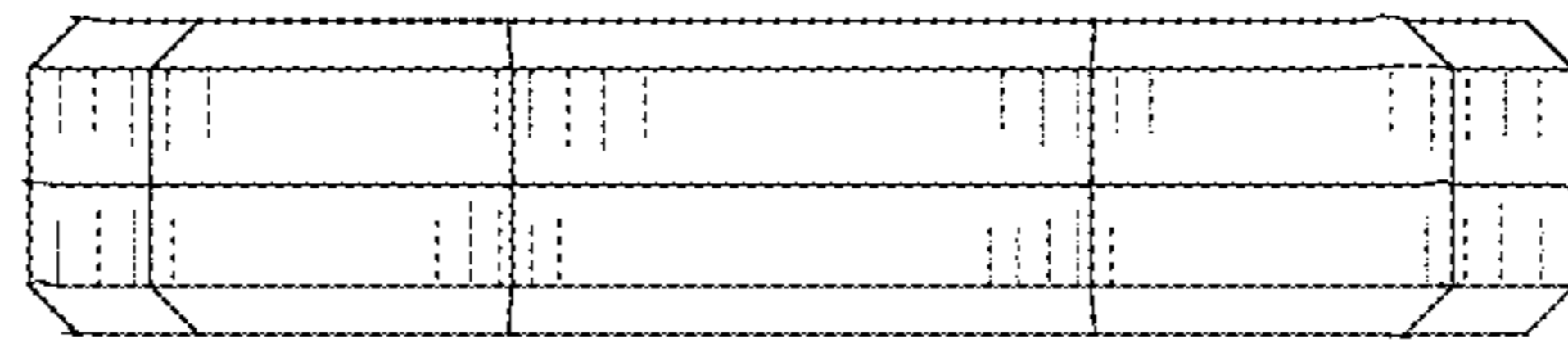


FIG.5

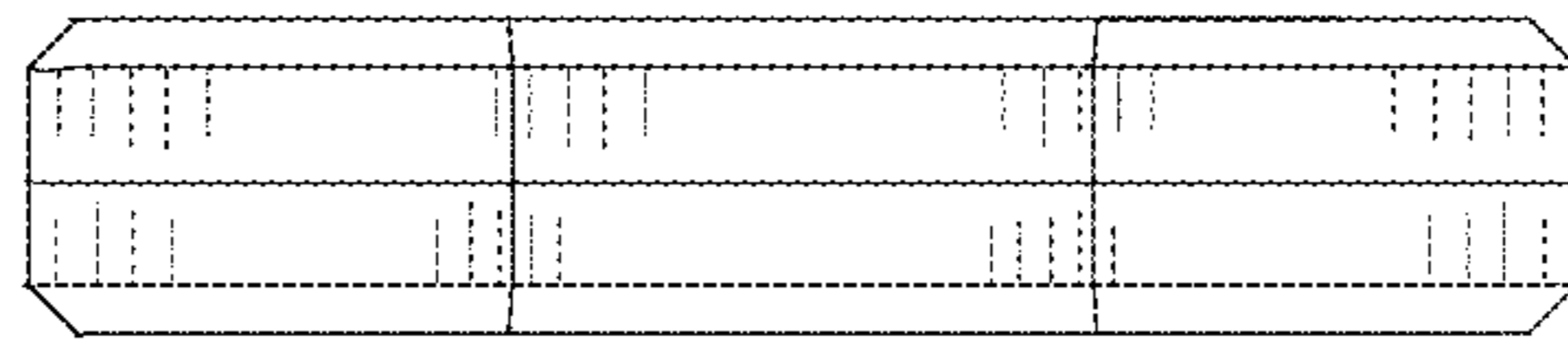


FIG.6

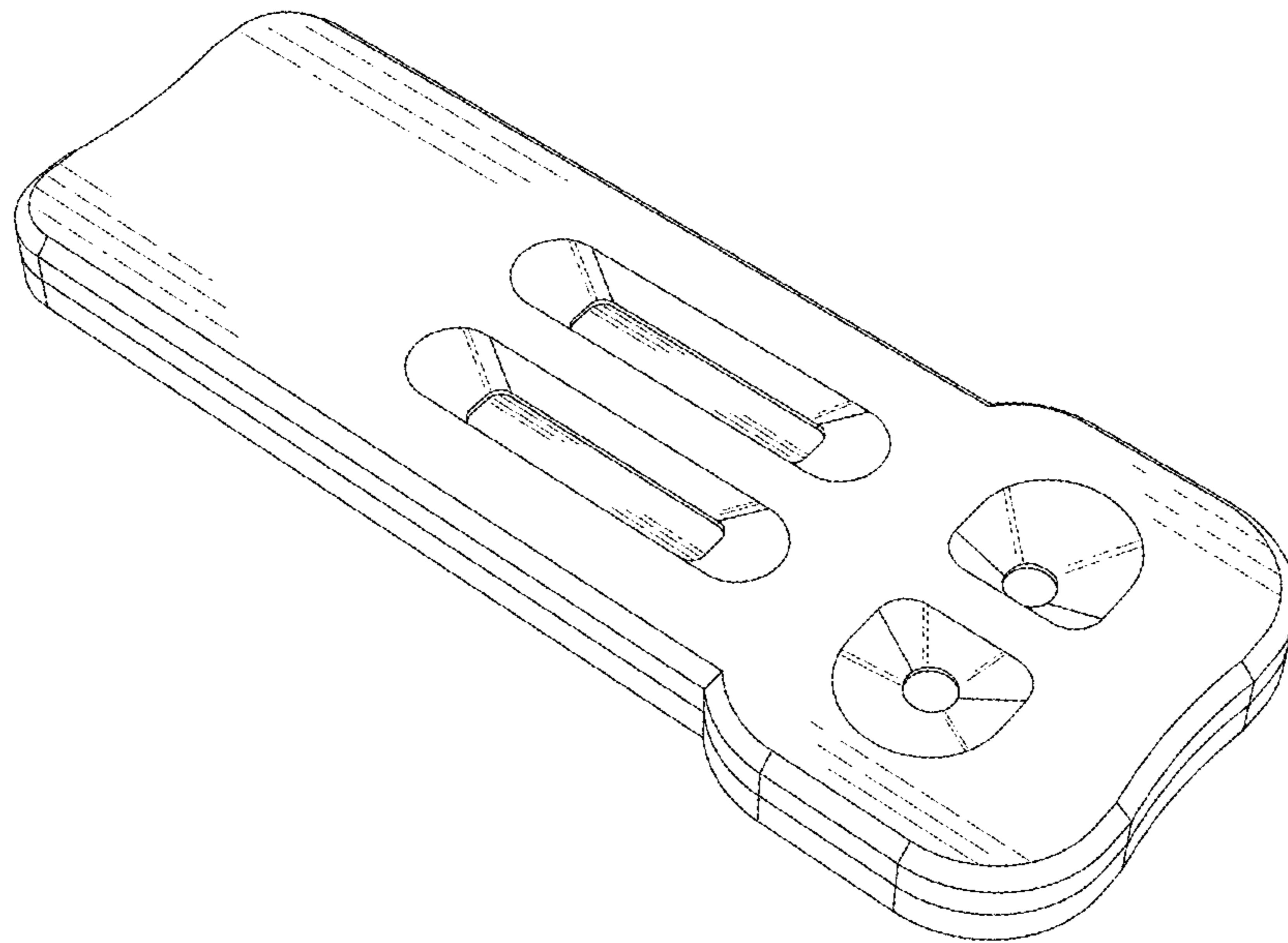


FIG.7



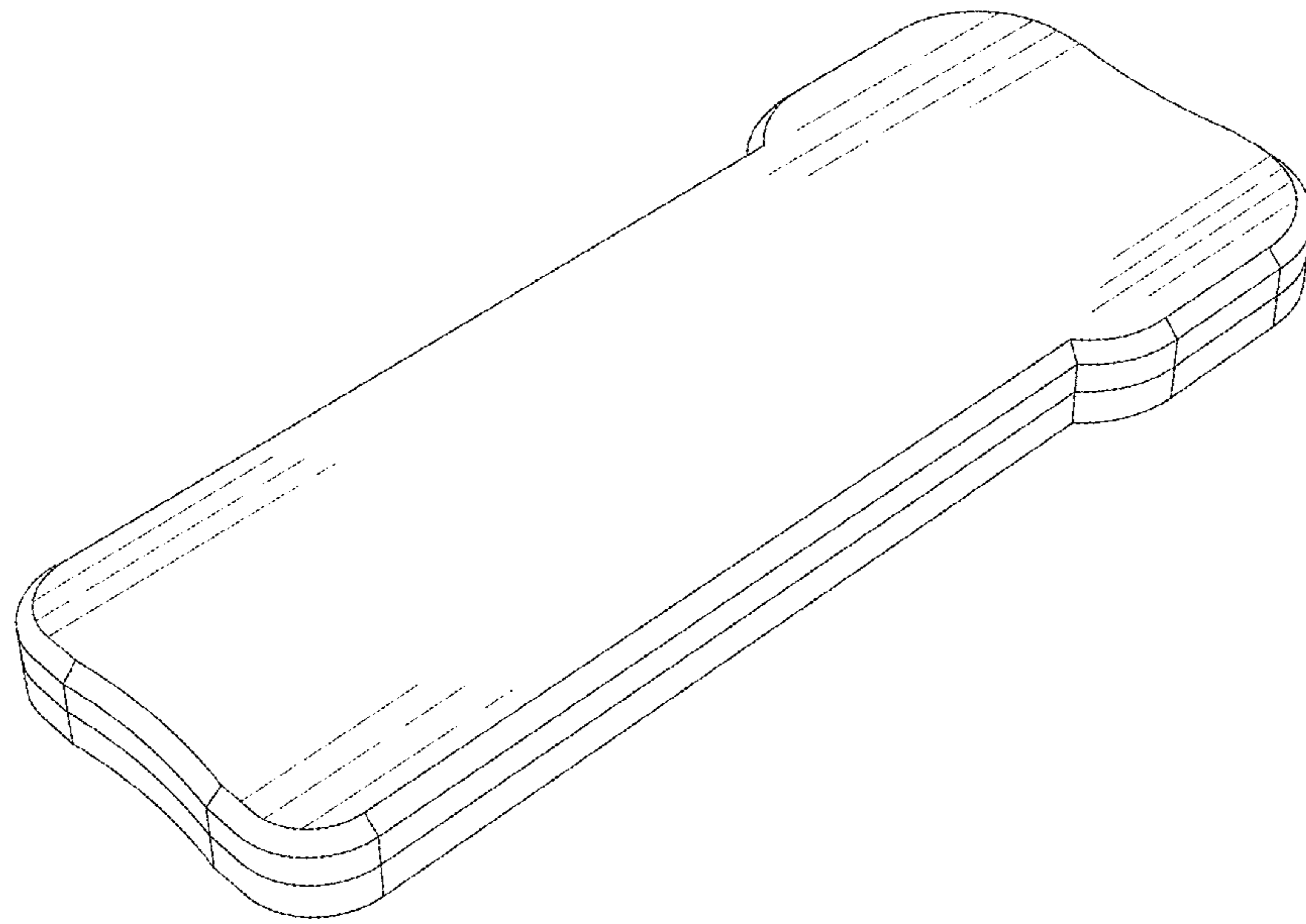


FIG.8