



US00D983401S

(12) **United States Design Patent**
Motadel et al.

(10) **Patent No.:** **US D983,401 S**
(45) **Date of Patent:** **** Apr. 11, 2023**

- (54) **PIPETTE TIP**
- (71) Applicant: **BIOTIX, INC.**, San Diego, CA (US)
- (72) Inventors: **Arta Motadel**, San Diego, CA (US);
Peter Paul Blaszcak, San Diego, CA (US)
- (73) Assignee: **BIOTIX, INC.**, San Diego, CA (US)
- (**) Term: **15 Years**
- (21) Appl. No.: **29/758,975**
- (22) Filed: **Nov. 19, 2020**

5,156,811 A 10/1992 White
 D335,348 S 5/1993 Frenkel et al.
 5,487,997 A 1/1996 Stolp
 (Continued)

FOREIGN PATENT DOCUMENTS

CN 102439128 A 5/2012
 CN 105283249 A 1/2016
 (Continued)

OTHER PUBLICATIONS

Increasing Laboratory Sustainability & Efficiency with New Biotix Pipette Tip Technology. Online, published date May 3, 2017. Retrieved on Mar. 18, 2022 from URL: <https://www.youtube.com/watch?v=9cm6TWmLO6M>.*

(Continued)

Related U.S. Application Data

- (63) Continuation of application No. 29/647,343, filed on May 11, 2018, now Pat. No. Des. 905,865.
- (51) **LOC (14) Cl.** **24-02**
- (52) **U.S. Cl.**
USPC **D24/222**
- (58) **Field of Classification Search**
USPC D24/108, 112–115, 117, 121, 133, 216,
D24/222–226
CPC B01L 3/02; B01L 3/0289; B01L 3/0293;
B01L 3/0268; B01L 3/0275; B01L 3/0279;
B01L 3/14; B01L 3/508–50825;
B01L 3/52–523; B01F 13/0025; B01J 2219/00292;
B01J 2220/64
See application file for complete search history.

Primary Examiner — Omeed Agilee
 (74) *Attorney, Agent, or Firm* — Standley Law Group
 LLP; Jeffrey S. Standley; Adam J. Smith

(57) **CLAIM**

The ornamental design for a pipette tip, as shown and described.

DESCRIPTION

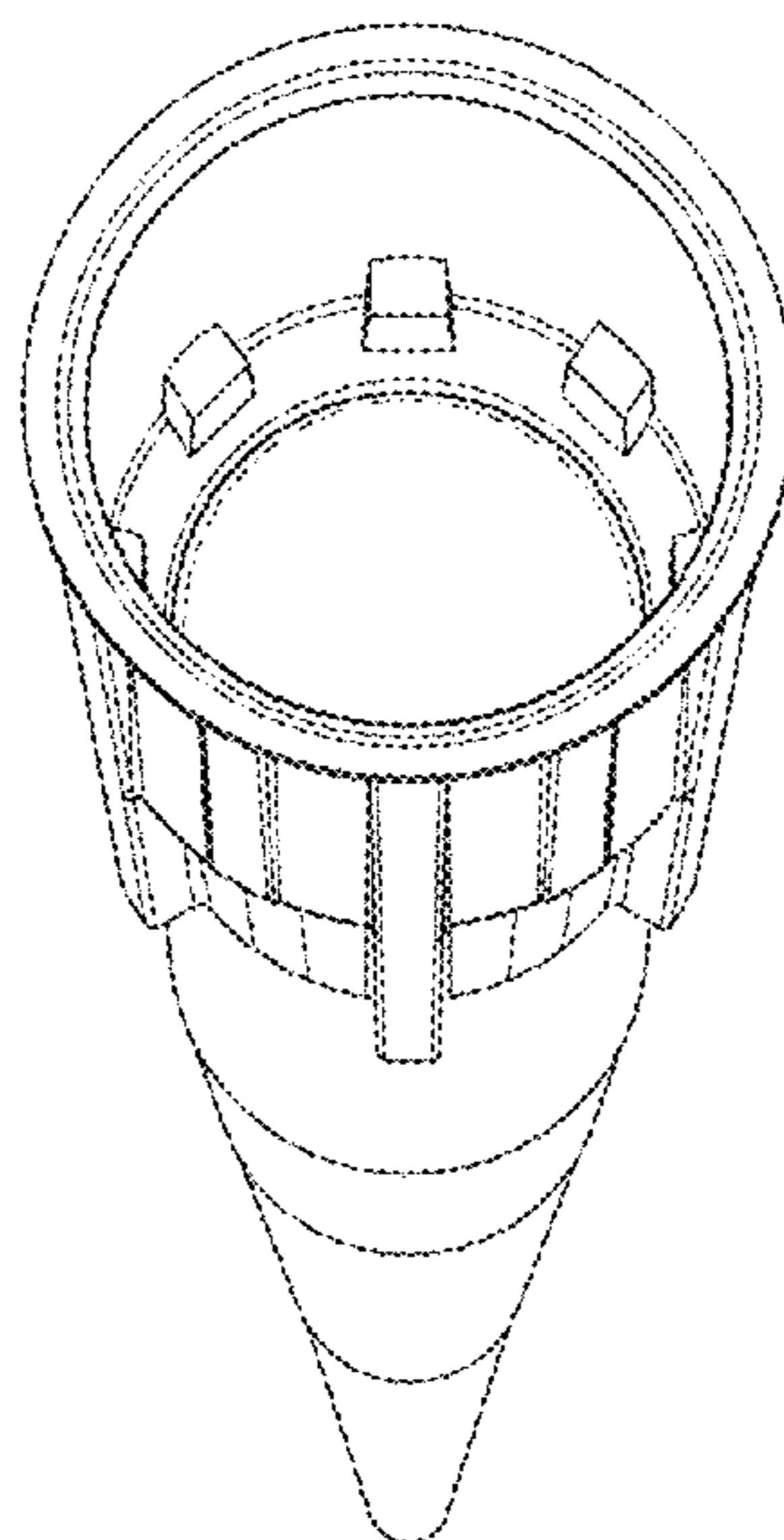
FIG. 1 is a front view of a pipette tip;
 FIG. 2 is a rear view thereof;
 FIG. 3 is a side view thereof;
 FIG. 4 is an opposing side view thereof;
 FIG. 5 is an enlarged top view thereof;
 FIG. 6 is an enlarged bottom view thereof;
 FIG. 7 is a bottom perspective view thereof;
 FIG. 8 is a top perspective view thereof; and,
 FIG. 9 is an enlarged front, top perspective view thereof.
 The dashed lines in the drawings depict portions of the pipette tip that form no part of the claimed design.
 The dot dash dot broken lines in the drawings depict the boundaries of the claimed design and form no part thereof.

(56) **References Cited**

U.S. PATENT DOCUMENTS

D204,352 S 4/1966 Eizenberg
 D255,601 S 6/1980 De Vaughn
 D256,052 S * 7/1980 De Vaughn D24/112
 D286,570 S * 11/1986 Williams D24/112
 4,707,337 A 11/1987 Jeffs et al.
 D300,561 S * 4/1989 Asa D24/112

1 Claim, 5 Drawing Sheets



(56)

References Cited

U.S. PATENT DOCUMENTS

D414,562	S	9/1999	Tajima	
D438,981	S	3/2001	Rainin et al.	
6,197,258	B1	3/2001	Thompson et al.	
6,197,259	B1	3/2001	Kelly et al.	
D448,853	S	10/2001	Rainin et al.	
D461,904	S	8/2002	Petrek	
6,566,145	B2	5/2003	Brewer	
D487,593	S	3/2004	Sarna	
D559,396	S	1/2008	Dave	
7,335,337	B1	2/2008	Smith	
7,794,664	B2	9/2010	Pelletier et al.	
8,105,555	B2	1/2012	Lahti	
D663,042	S	7/2012	Motadel et al.	
D679,828	S *	4/2013	Motadel	D24/222
D680,226	S	4/2013	Motadel et al.	
D687,562	S	8/2013	Motadel et al.	
D788,314	S *	5/2017	Ando	D24/222
D847,367	S	4/2019	Trump et al.	
D887,574	S *	6/2020	Mizutani	D24/222
D905,865	S	12/2020	Motadel et al.	
11,185,856	B2	11/2021	Motadel et al.	
2002/0009809	A1 *	1/2002	Brewer	B01L 3/0275 436/66
2006/0172433	A1	8/2006	Motadel	
2007/0017870	A1	1/2007	Belov et al.	
2008/0095665	A1	4/2008	Smith	
2010/0218622	A1	9/2010	Motadel	
2011/0076205	A1	3/2011	Kelly et al.	
2011/0183433	A1	7/2011	Motadel et al.	
2012/0071643	A1	3/2012	Helfer et al.	
2013/0164194	A1	6/2013	Motadel et al.	
2013/0213151	A1	8/2013	Beese	
2018/0221863	A1 *	8/2018	Cadotte, Jr.	B01L 3/0275
2019/0344258	A1 *	11/2019	Motadel	B01L 3/0275

FOREIGN PATENT DOCUMENTS

CN	106714969	A	5/2017
DE	29907055	U1	7/1999
EP	2138234	A1	12/2009
EP	3358334	A1	8/2018
FR	171442		4/1978
JP	2006-521909	A	9/2006
JP	2013-136052	A	7/2013
JP	2017-067481	A	4/2017
JP	2018-012085	A	1/2018
WO	03/095980	A1	11/2003
WO	2010/008737	A2	1/2010
WO	2010/054337	A2	5/2010
WO	2010/093998	A2	8/2010

WO	2011/091308	A2	7/2011
WO	2016/094553	A1	6/2016
WO	2019/217098	A1	11/2019

OTHER PUBLICATIONS

Biotix Tips Biotix 200 UI St Pk960 M-0200-9SC w/ Free Shipping and Handling. Online, published date unknown. Retrieved on Mar. 17, 2022 from URL: <https://www.labplanet.com/biotix-tips-biotix-200-ul-st-pk960-m-0200-9sc.html>.*

Universal Fit Pipette Tips. Online, published date unknown. Retrieved on Mar. 17, 2022 from URL: https://www.tedpella.com/pipettes_html/pipettes.aspx#22261.*

International Preliminary Report on Patentability dated Nov. 26, 2020 in International Patent Application No. PCT/US2019/029386, filed on Apr. 26, 2019, 13 pages.

International Search Report and Written Opinion dated Jun. 14, 2019 in International Patent Application No. PCT/US2019/029386, filed on Apr. 26, 2019, 16 pages.

Office Action dated Aug. 20, 2020 in U.S. Appl. No. 29/647,343, filed May 11, 2018, 5 pages.

Office Action dated Dec. 6, 2019 in U.S. Appl. No. 29/647,343, filed May 11, 2018, 8 pages.

Office Action dated May 8, 2020 in U.S. Appl. No. 29/647,343, filed May 11, 2018, 6 pages.

Biotix, "How to Choose the Right Pipette Tips for your Experiment", Retrieved on Aug. 4, 2019 from URL: <https://biotix.com/resources/blog/how-to-choose-the-right-pipette-tips-for-your-experiment/>, Sep. 2016, 1 page.

Krins Life Sciences, "Pipette Tips for Gilson® Pipetman® and other Pipettors", Retrieved on Aug. 4, 2019 from URL: <https://www.krinslifescienceslab.ca/product/gilson-pipetman/>, 1 page.

Office Action dated Aug. 25, 2021 in U.S. Appl. No. 16/396,101, filed Apr. 26, 2019 and published as US-2019-0344258-A1 on Nov. 14, 2019, 8 pages.

Office Action dated Mar. 1, 2021 in U.S. Appl. No. 16/396,101, filed Apr. 26, 2019 and published as US-2019-0344258-A1 on Nov. 14, 2019, 24 pages.

"Office Action dated Apr. 1, 2022 in U.S. Appl. No. 29/758,973, filed Nov. 19, 2020", 9 pages.

"Office Action dated Apr. 1, 2022 in U.S. Appl. No. 29/758,974, filed Nov. 19, 2020", 9 pages.

"Office Action dated Apr. 1, 2022 in U.S. Appl. No. 29/758,966, filed Nov. 19, 2020", 10 pages.

"Office Action dated Apr. 1, 2022 in U.S. Appl. No. 29/758,968, filed Nov. 19, 2020", 11 pages.

* cited by examiner

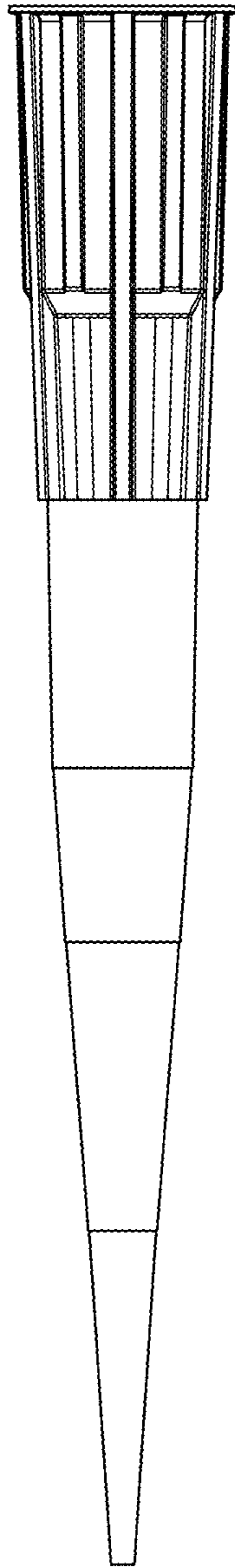


Fig. 1

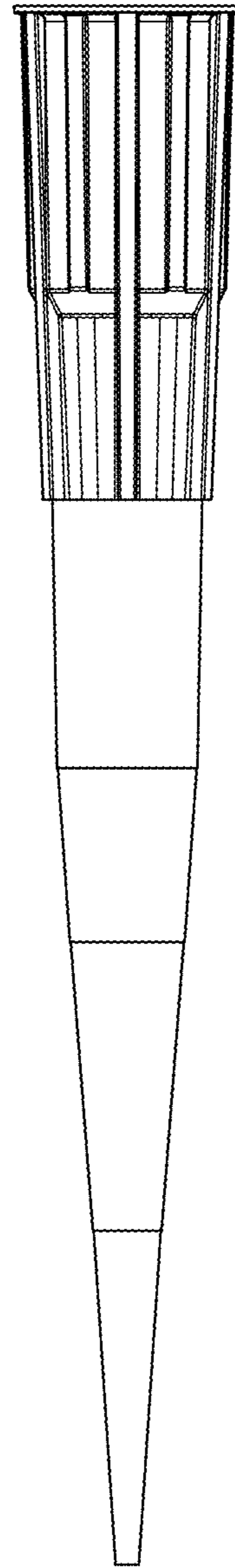


Fig. 2

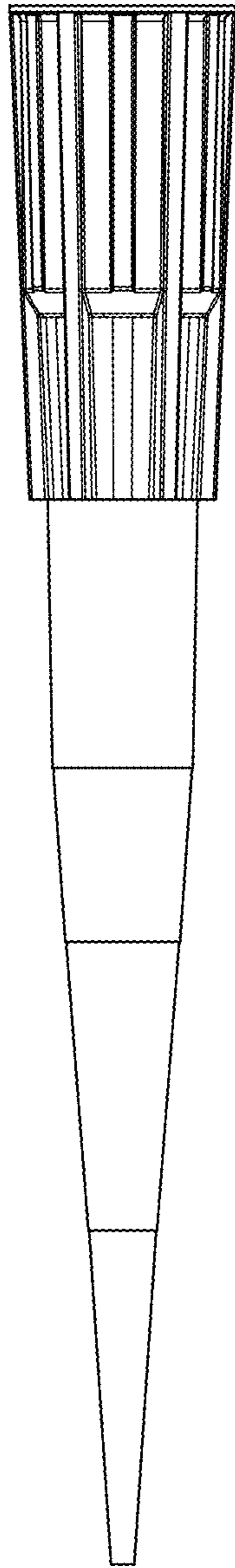


Fig. 3

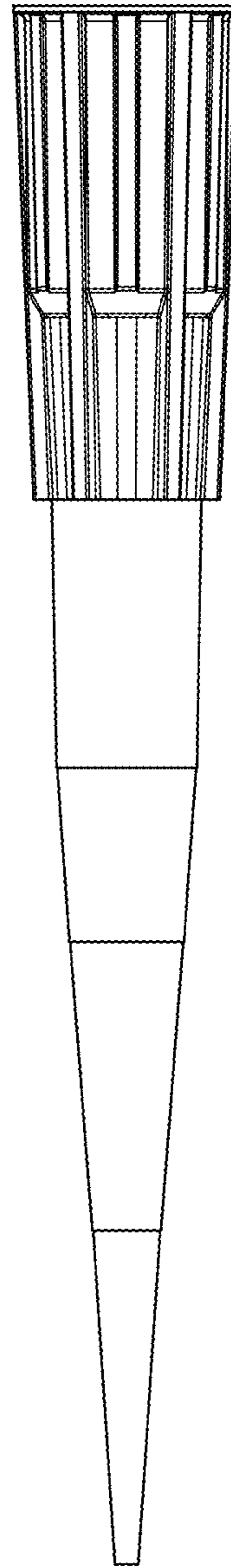


Fig. 4

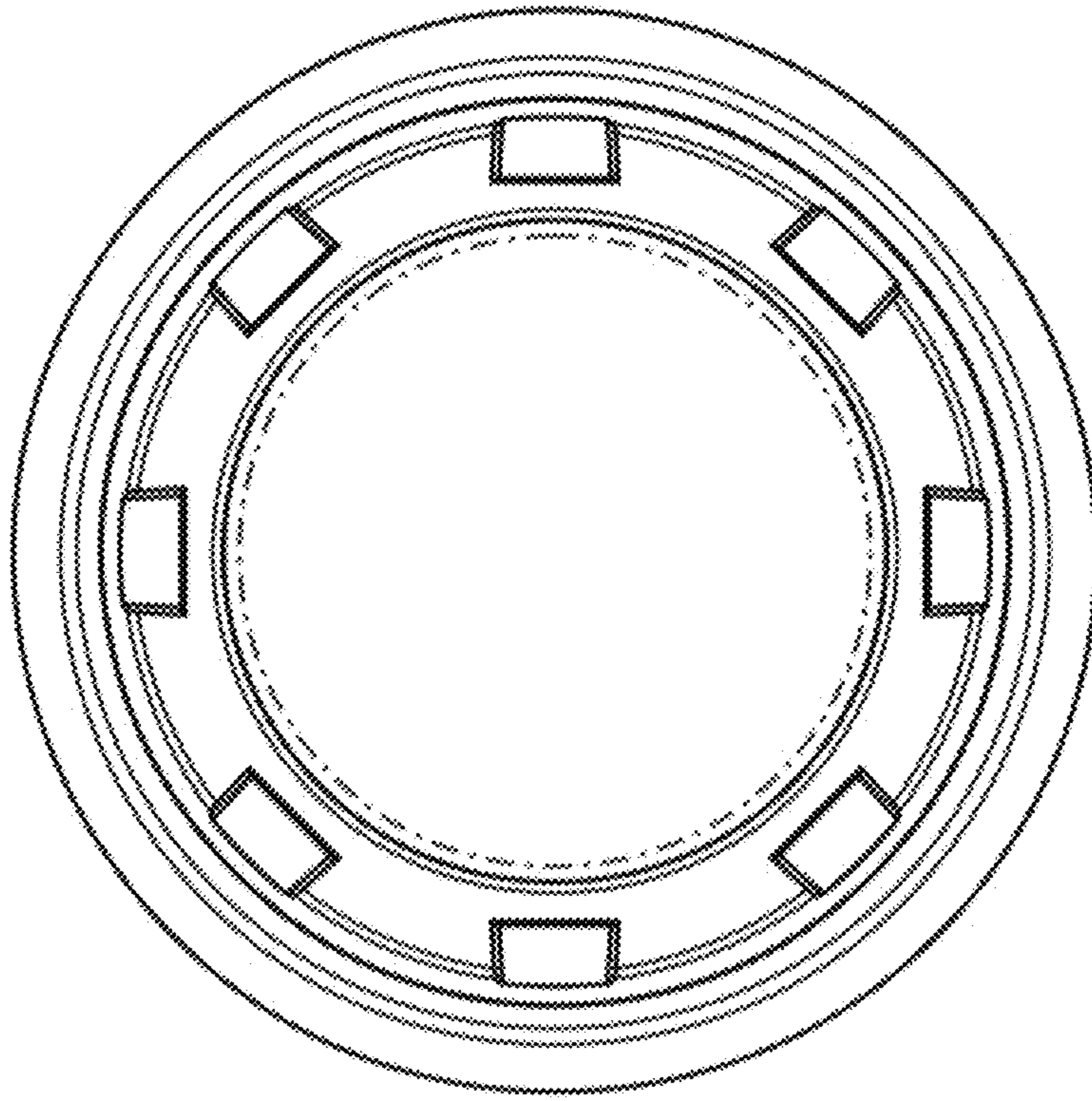


Fig. 5

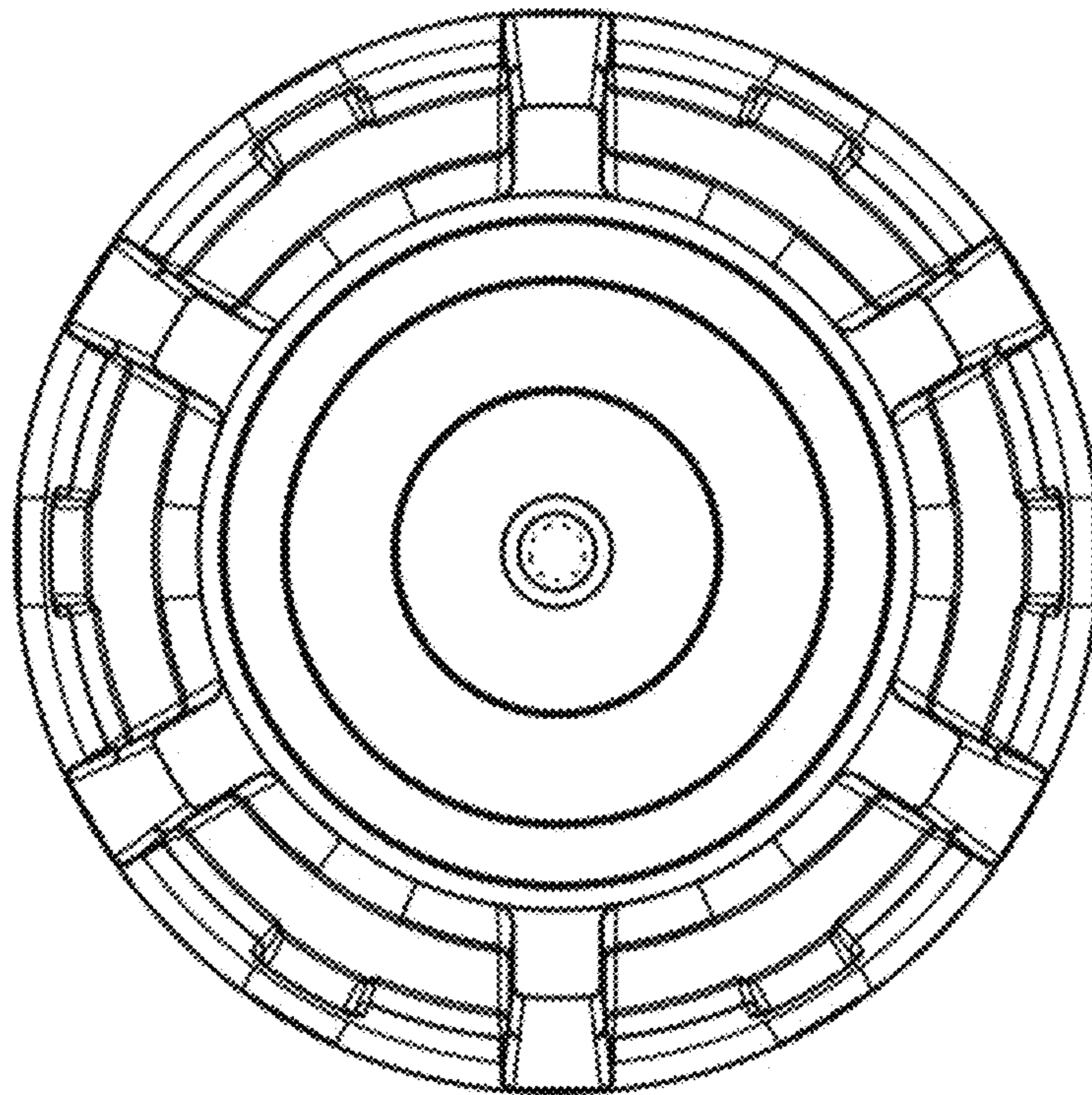


Fig. 6

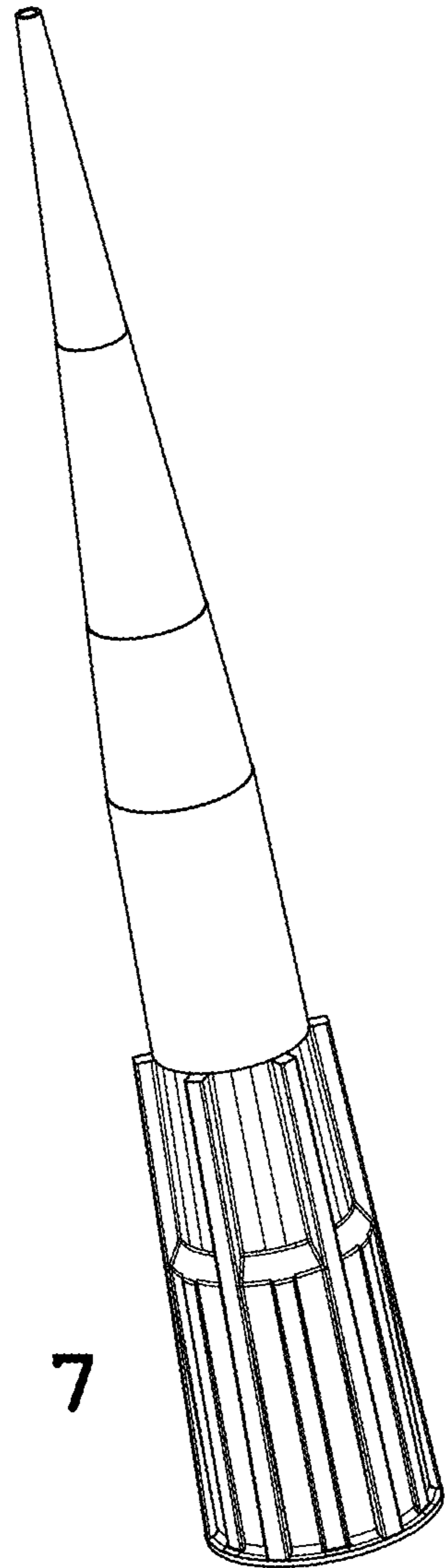


Fig. 7

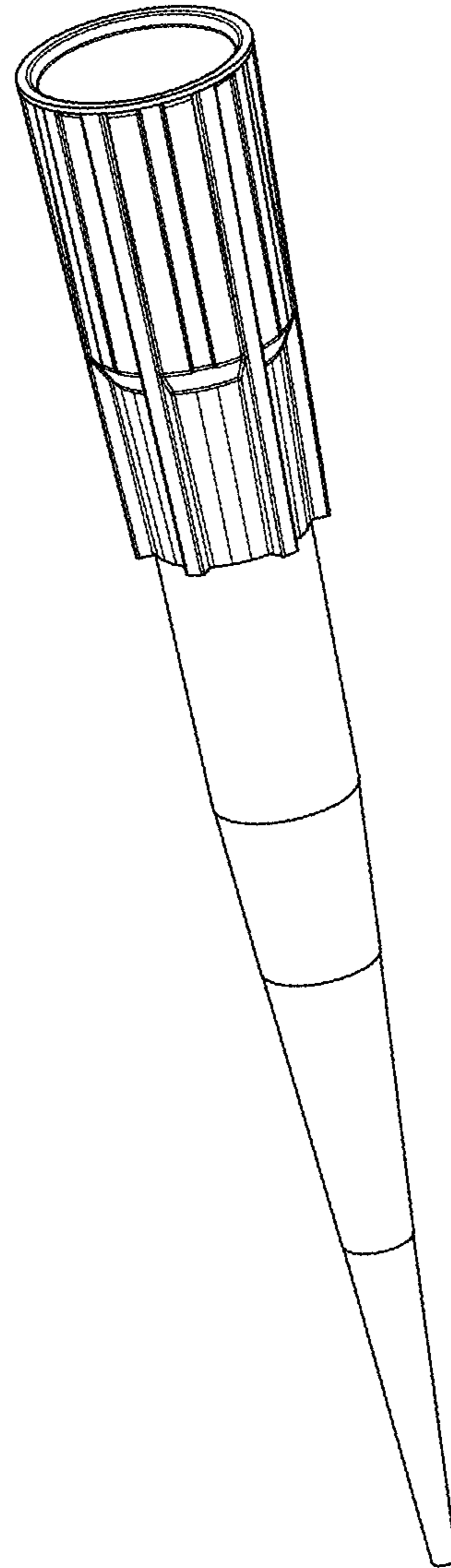


Fig. 8

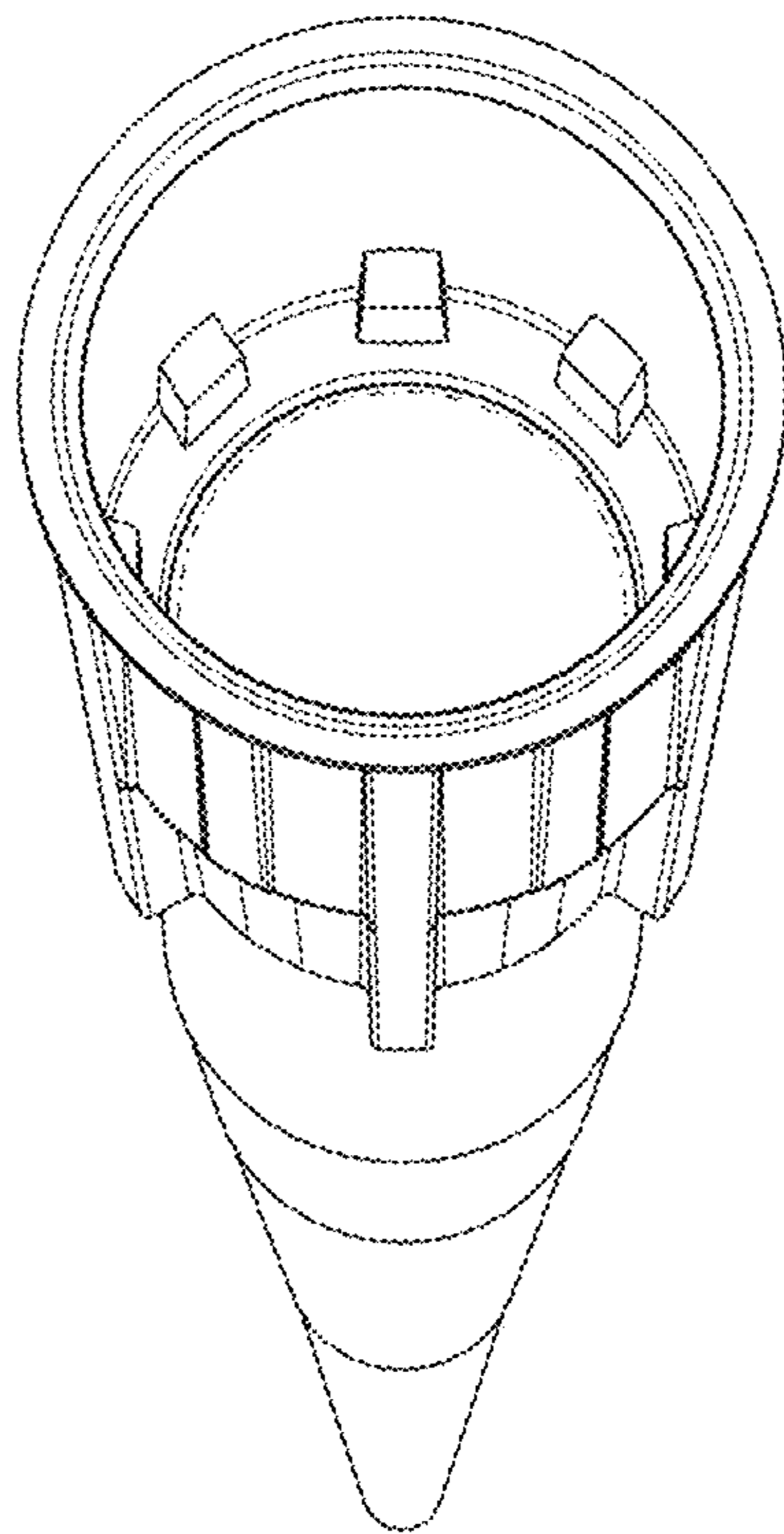


Fig. 9