



US00D983400S

(12) **United States Design Patent** (10) **Patent No.:** **US D983,400 S**
Motadel et al. (45) **Date of Patent:** **** Apr. 11, 2023**

- (54) **PIPETTE TIP**
- (71) Applicant: **BIOTIX, INC.**, San Diego, CA (US)
- (72) Inventors: **Arta Motadel**, San Diego, CA (US);
Peter Paul Blaszcak, San Diego, CA (US)
- (73) Assignee: **BIOTIX, INC.**, San Diego, CA (US)
- (**) Term: **15 Years**
- (21) Appl. No.: **29/758,974**
- (22) Filed: **Nov. 19, 2020**

5,156,811 A 10/1992 White
 D335,348 S 5/1993 Frenkel et al.
 5,487,997 A 1/1996 Stolp
 (Continued)

FOREIGN PATENT DOCUMENTS

CN 102439128 A 5/2012
 CN 105283249 A 1/2016
 (Continued)

OTHER PUBLICATIONS

Biotix Tips Biotix 200 UI St Pk960 M-0200-9SC w/ Free Shipping and Handling. Online, published date unknown. Retrieved on Mar. 17, 2022 from URL: <https://www.labplanet.com/biotix-tips-biotix-200-ul-st-pk960-m-0200-9sc.html>.
 (Continued)

Related U.S. Application Data

- (62) Division of application No. 29/647,343, filed on May 11, 2018, now Pat. No. Des. 905,865.
- (51) **LOC (14) Cl.** **24-02**
- (52) **U.S. Cl.**
USPC **D24/222**
- (58) **Field of Classification Search**
USPC D24/108, 112–115, 117, 121, 133, 216,
D24/222–226
CPC B01L 3/02; B01L 3/0289; B01L 3/0293;
B01L 3/0268; B01L 3/0275; B01L 3/0279; B01L 3/14; B01L 3/508–50825;
B01L 3/52–523; B01F 13/0025; B01J 2219/00292; B01J 2220/64
See application file for complete search history.

Primary Examiner — Omeed Agilee
 (74) *Attorney, Agent, or Firm* — Standley Law Group LLP; Jeffrey S. Standley; Adam J. Smith

(57) **CLAIM**

The ornamental design for a pipette tip, as shown and described.

DESCRIPTION

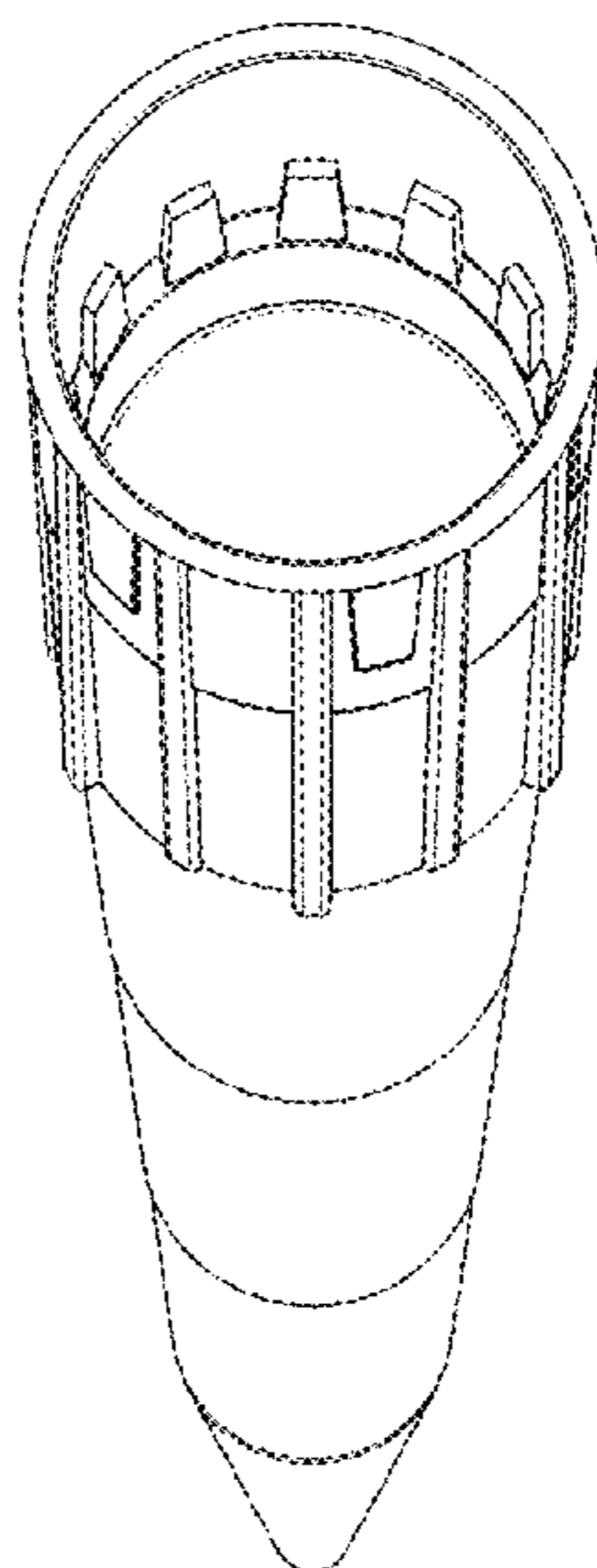
FIG. 1 is a front view of a pipette tip;
 FIG. 2 is a rear view thereof;
 FIG. 3 is a side view thereof;
 FIG. 4 is an opposing side view thereof;
 FIG. 5 is an enlarged top view thereof;
 FIG. 6 is an enlarged bottom view thereof;
 FIG. 7 is a bottom perspective view thereof;
 FIG. 8 is a top perspective view thereof; and,
 FIG. 9 is an enlarged front, top perspective view thereof.
 The dashed lines in the drawings depict portions of the pipette tip that form no part of the claimed design.
 The dot dash dot broken lines in the drawings depict the boundaries of the claimed design and form no part thereof.

(56) **References Cited**

U.S. PATENT DOCUMENTS

D204,352 S 4/1966 Eizenberg
 D255,601 S 6/1980 De Vaughn
 D256,052 S * 7/1980 De Vaughn D24/112
 D286,570 S * 11/1986 Williams D24/112
 4,707,337 A 11/1987 Jeffs et al.
 D300,561 S * 4/1989 Asa D24/112

1 Claim, 5 Drawing Sheets



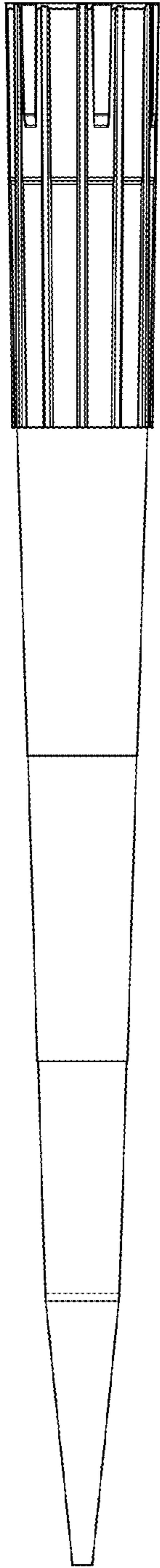


Fig. 1

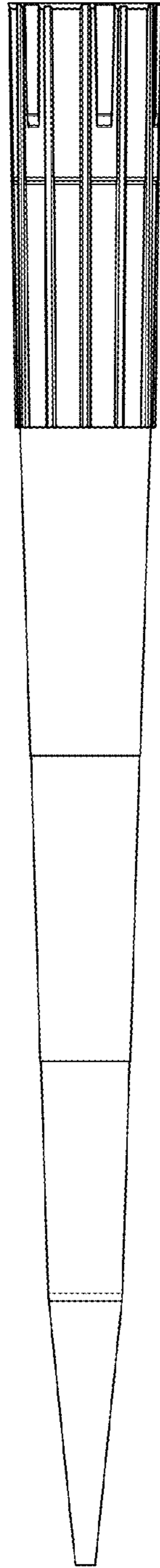


Fig. 2

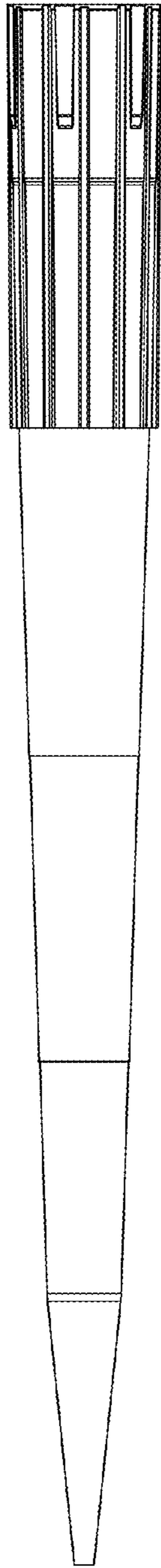


Fig. 3

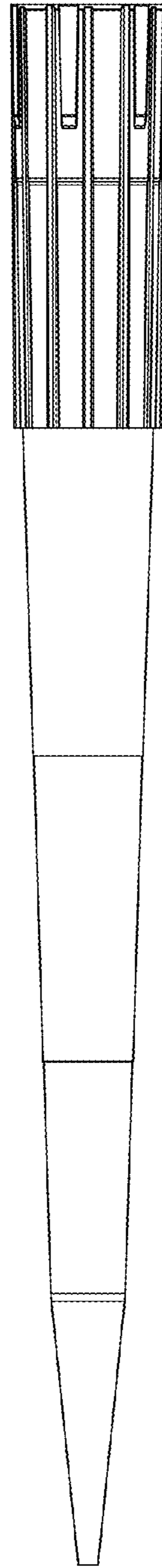


Fig. 4

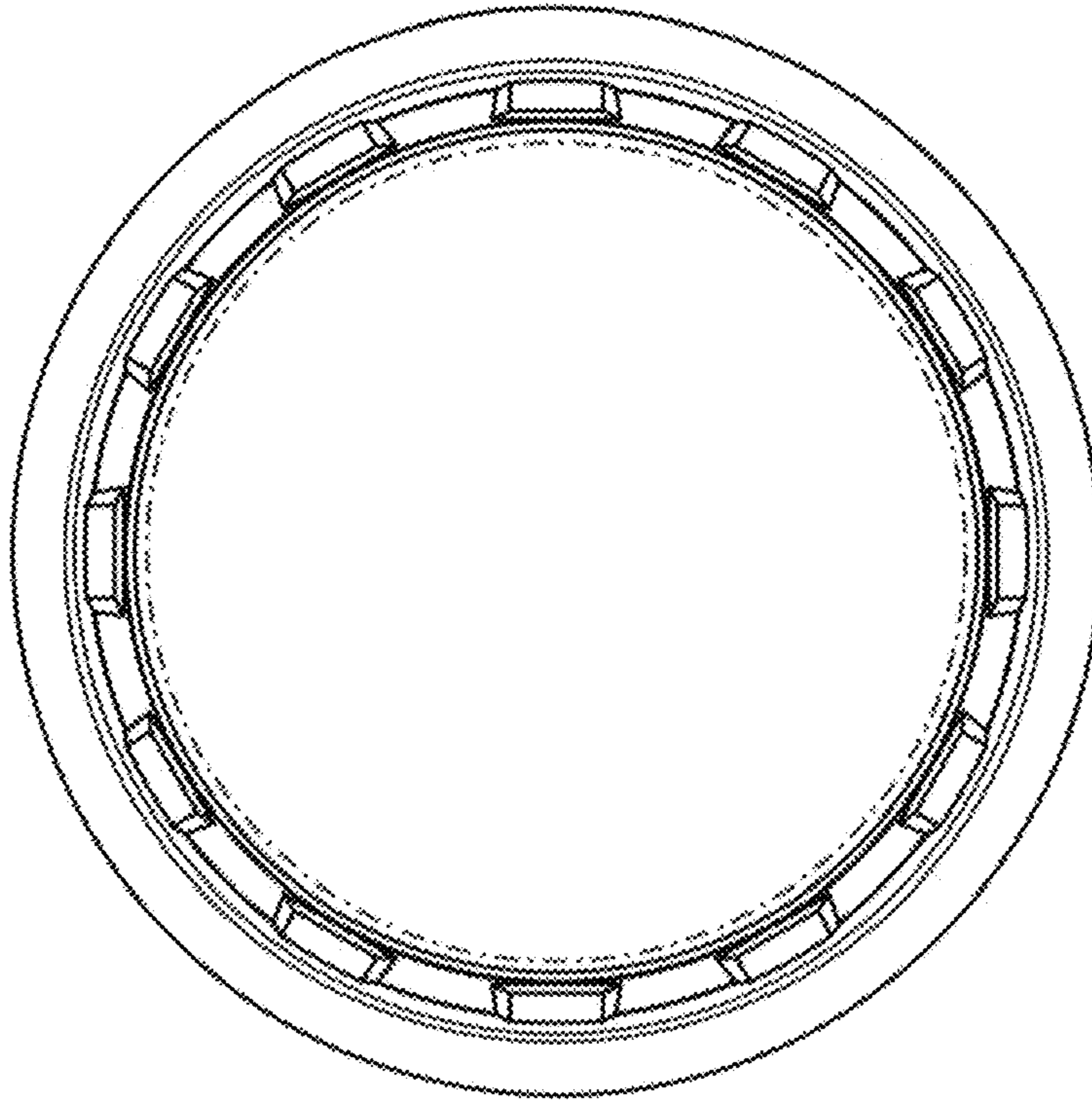


Fig. 5

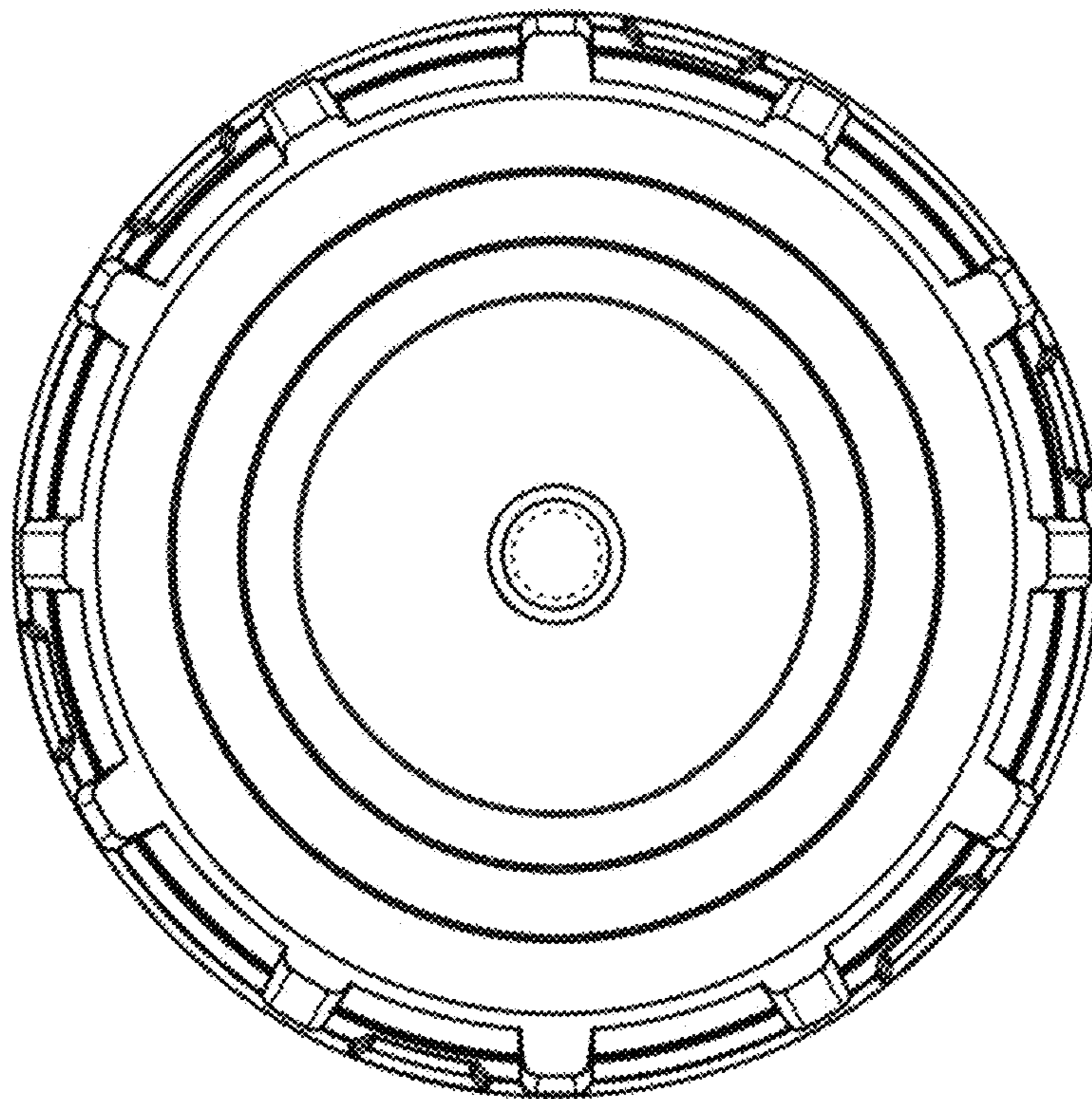


Fig. 6

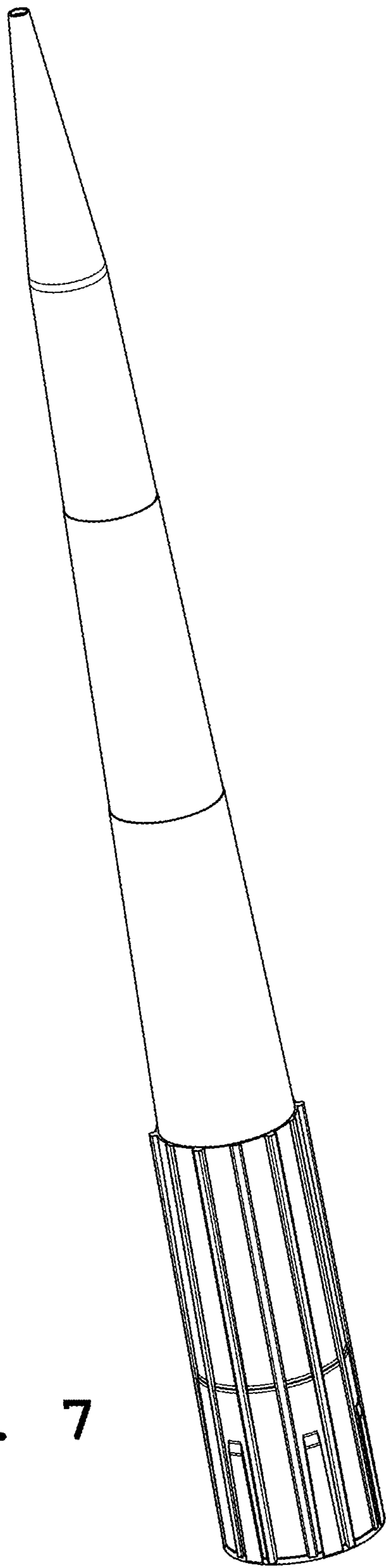


Fig. 7

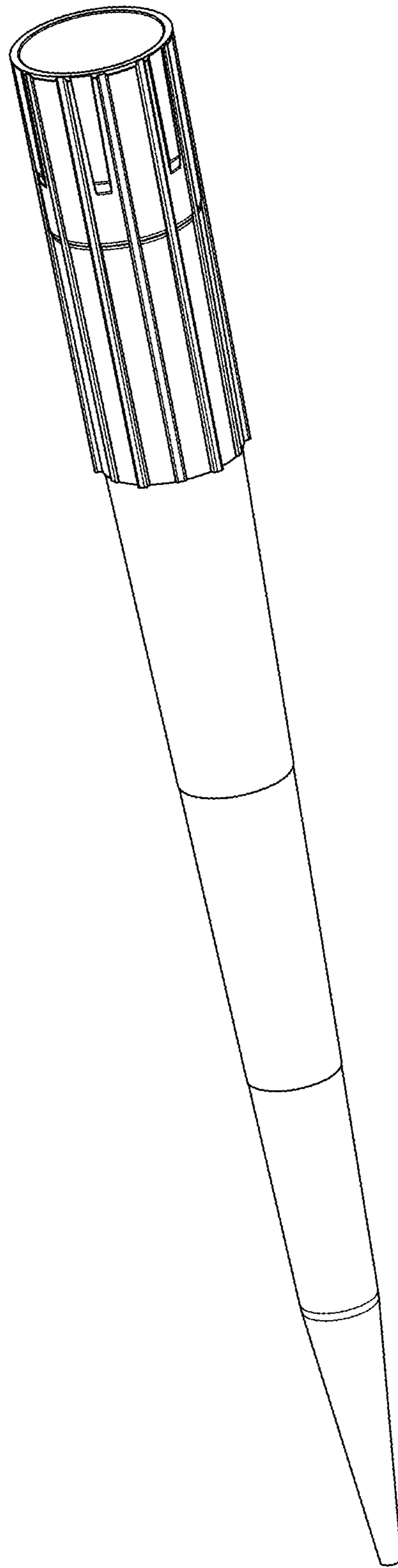


Fig. 8

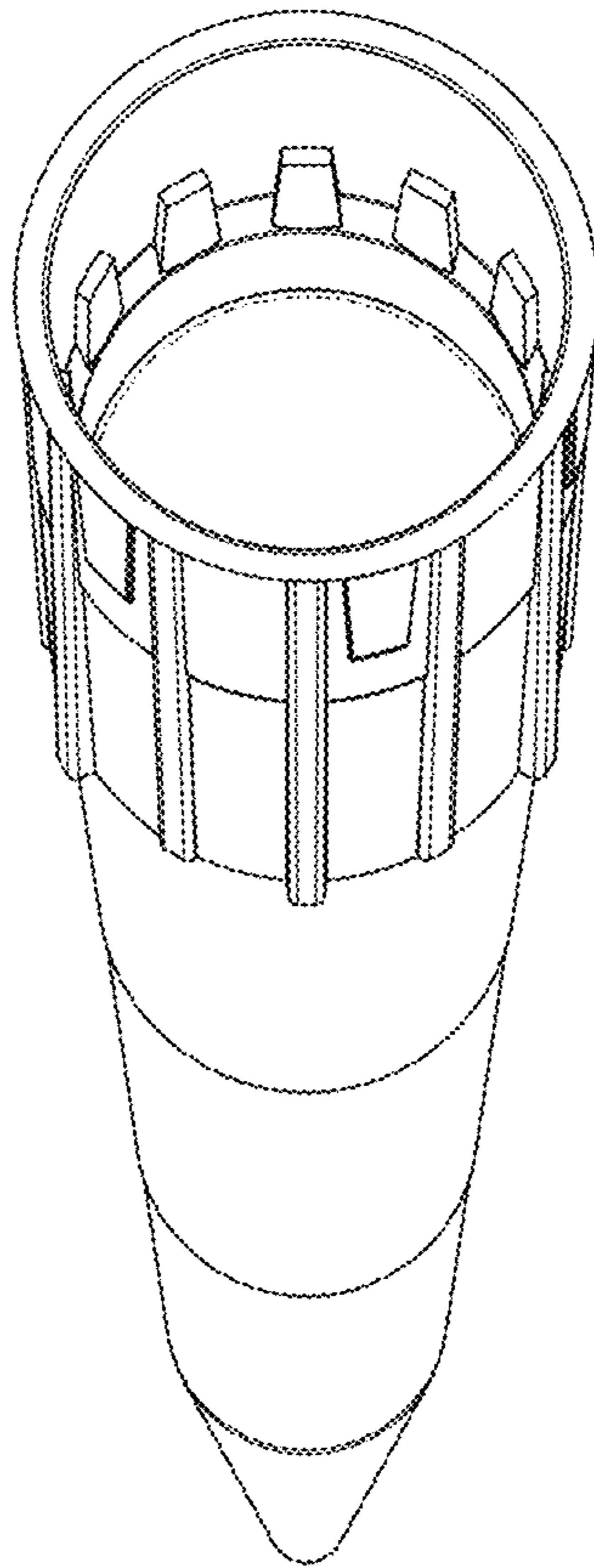


Fig. 9