



US00D983398S

(12) **United States Design Patent** (10) **Patent No.:** **US D983,398 S**
Motadel et al. (45) **Date of Patent:** **** Apr. 11, 2023**

- (54) **PIPETTE TIP**
- (71) Applicant: **BIOTIX, INC.**, San Diego, CA (US)
- (72) Inventors: **Arta Motadel**, San Diego, CA (US);
Peter Paul Blaszcak, San Diego, CA (US)
- (73) Assignee: **BIOTIX, INC.**, San Diego, CA (US)
- (**) Term: **15 Years**
- (21) Appl. No.: **29/758,968**
- (22) Filed: **Nov. 19, 2020**

5,156,811 A 10/1992 White
 D335,348 S 5/1993 Frenkel et al.
 5,487,997 A 1/1996 Stolp
 (Continued)

FOREIGN PATENT DOCUMENTS

CN 102439128 A 5/2012
 CN 105283249 A 1/2016
 (Continued)

OTHER PUBLICATIONS

Increasing Laboratory Sustainability & Efficiency with New Biotix Pipette Tip Technology. Online, published date May 3, 2017. Retrieved on Mar. 18, 2022 from URL: <https://www.youtube.com/watch?v=9cm6TWmLO6M>.*

(Continued)

Related U.S. Application Data

- (62) Division of application No. 29/647,343, filed on May 11, 2018, now Pat. No. Des. 905,865.
- (51) **LOC (14) Cl.** **24-02**
- (52) **U.S. Cl.**
USPC **D24/222**
- (58) **Field of Classification Search**
USPC D24/108, 112-115, 117, 121, 133, 216,
D24/222-226
CPC B01L 3/02; B01L 3/0289; B01L 3/0293;
B01L 3/0268; B01L 3/0275; B01L 3/0279;
B01L 3/14; B01L 3/508-50825;
B01L 3/52-523; B01J 2219/00292; B01J 2220/64
See application file for complete search history.

Primary Examiner — Omeed Agilee
 (74) *Attorney, Agent, or Firm* — Standley Law Group
 LLP; Jeffrey S. Standley; Adam J. Smith

(57) **CLAIM**

The ornamental design for a pipette tip, as shown and described.

DESCRIPTION

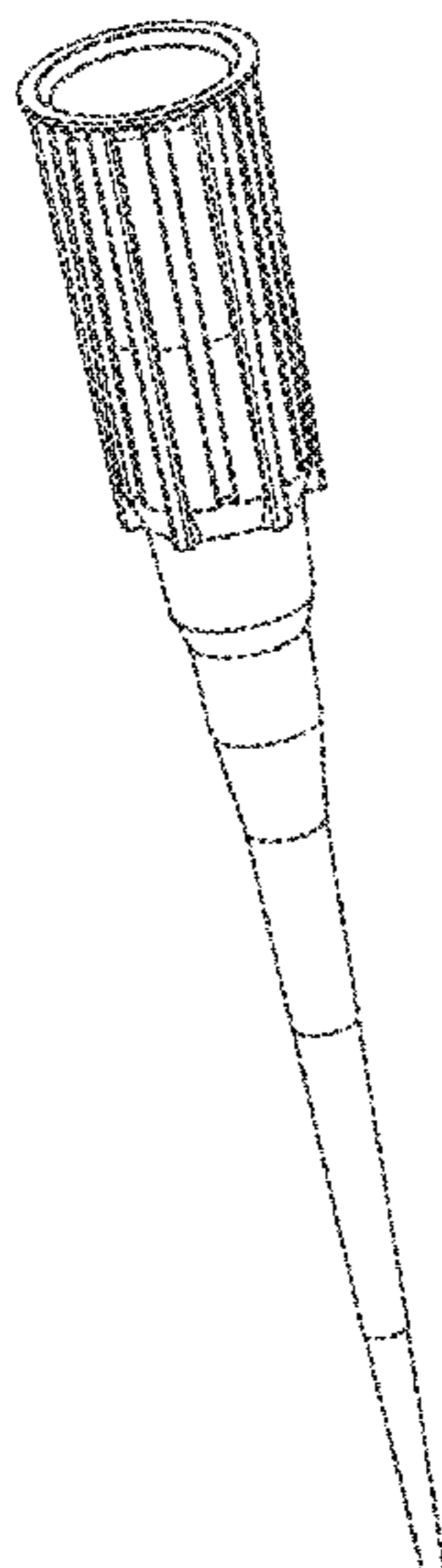
FIG. 1 is a front view of a pipette tip;
 FIG. 2 is a rear view thereof;
 FIG. 3 is a side view thereof;
 FIG. 4 is an opposing side view thereof;
 FIG. 5 is an enlarged top view thereof;
 FIG. 6 is an enlarged bottom view thereof;
 FIG. 7 is a bottom perspective view thereof;
 FIG. 8 is a top perspective view thereof; and,
 FIG. 9 is an enlarged front, top perspective view thereof.
 The dashed lines in the drawings depict portions of the pipette tip that form no part of the claimed design.
 The dot dash dot broken lines in the drawings depict the boundaries of the claimed design and form no part thereof.

(56) **References Cited**

U.S. PATENT DOCUMENTS

- D204,352 S * 4/1966 Eizenberg D24/130
- D255,601 S 6/1980 De Vaughn
- D256,052 S * 7/1980 De Vaughn D24/112
- D286,570 S * 11/1986 Williams D24/112
- 4,707,337 A 11/1987 Jeffs et al.
- D300,561 S * 4/1989 Asa D24/112

1 Claim, 5 Drawing Sheets



(56)

References Cited

U.S. PATENT DOCUMENTS

D414,562 S 9/1999 Tajima
 D438,981 S 3/2001 Rainin et al.
 6,197,258 B1 3/2001 Thompson et al.
 6,197,259 B1 3/2001 Kelly et al.
 D448,853 S 10/2001 Rainin et al.
 D461,904 S 8/2002 Petrek
 6,566,145 B2 5/2003 Brewer
 D487,593 S 3/2004 Sarna
 D559,396 S 1/2008 Dave
 7,335,337 B1 2/2008 Smith
 7,794,664 B2* 9/2010 Pelletier B01L 3/0275
 422/400
 8,105,555 B2* 1/2012 Lahti B65D 21/0206
 206/564
 D663,042 S 7/2012 Motadel et al.
 D679,828 S* 4/2013 Motadel D24/222
 D680,226 S 4/2013 Motadel et al.
 D687,562 S 8/2013 Motadel et al.
 D788,314 S* 5/2017 Ando D24/222
 D847,367 S 4/2019 Trump et al.
 D887,574 S* 6/2020 Mizutani D24/222
 D905,865 S 12/2020 Motadel et al.
 11,185,856 B2 11/2021 Motadel et al.
 2002/0009809 A1* 1/2002 Brewer B01L 3/0275
 436/66
 2006/0172433 A1 6/2006 Motadel
 2007/0017870 A1 1/2007 Belov et al.
 2008/0095665 A1 4/2008 Smith
 2010/0218622 A1 9/2010 Motadel
 2011/0076205 A1 3/2011 Kelly et al.
 2011/0183433 A1 7/2011 Motadel et al.
 2012/0071643 A1 3/2012 Helfer et al.
 2013/0164194 A1 6/2013 Motadel et al.
 2013/0213151 A1 8/2013 Beese
 2018/0221863 A1 8/2018 Cadotte et al.
 2019/0344258 A1* 11/2019 Motadel B01L 3/0275

FOREIGN PATENT DOCUMENTS

CN 106714969 A 5/2017
 DE 29907055 U1 7/1999
 EP 2138234 A1 12/2009
 EP 3358334 A1 8/2018
 FR 171442 4/1978
 JP 2006-521909 A 9/2006
 JP 2013-136052 A 7/2013
 JP 2017-067481 A 4/2017
 JP 2018-012085 A 1/2018
 WO 03/095980 A1 11/2003
 WO 2010/008737 A2 1/2010

WO 2010/054337 A2 5/2010
 WO 2010/093998 A2 8/2010
 WO 2011/091308 A2 7/2011
 WO 2016/094553 A1 6/2016
 WO 2019/217098 A1 11/2019

OTHER PUBLICATIONS

Biotix Tips Biotix 200 UI St Pk960 M-0200-9SC w/ Free Shipping and Handling. Online, published date unknown. Retrieved on Mar. 17, 2022 from URL: <https://www.labplanet.com/biotix-tips-biotix-200-ul-st-pk960-m-0200-9sc.html>.*

Universal Fit Pipette Tips. Online, published date unknown. Retrieved on Mar. 17, 2022 from URL: https://www.tedpella.com/pipettes_html/pipettes.aspx#22261.*

Office Action dated Aug. 25, 2021 in U.S. Appl. No. 16/396,101, filed Apr. 26, 2019 and published as US-2019-0344258-A1 dated Nov. 14, 2019, 8 pages.

International Preliminary Report on Patentability dated Nov. 26, 2020 in International Patent Application No. PCT/US2019/029386, filed on Apr. 26, 2019, 13 pages.

International Search Report and Written Opinion dated Jun. 14, 2019 in International Patent Application No. PCT/US2019/029386, filed on Apr. 26, 2019, 16 pages.

Office Action dated Aug. 20, 2020 in U.S. Appl. No. 29/647,343, filed May 11, 2018, 5 pages.

Office Action dated Dec. 6, 2019 in U.S. Appl. No. 29/647,343, filed May 11, 2018, 8 pages.

Office Action dated May 8, 2020 in U.S. Appl. No. 29/647,343, filed May 11, 2018, 6 pages.

BIOTIX “How to Choose the Right Pipette Tips for your Experiment”, Retrieved on Aug. 4, 2019 from URL: <https://biotix.com/resources/blog/how-to-choose-the-right-pipette-tips-for-your-experiment/>, Sep. 2016, 1 page.

Krins Life Sciences “Pipette Tips for Gilson® Pipetman® and other Pipettors”, Retrieved on Aug. 4, 2019 from URL: <https://www.krinslifescienceslab.ca/product/gilson-pipetman/>, 1 page.

Office Action dated Mar. 1, 2021 in U.S. Appl. No. 16/396,101, filed Apr. 26, 2019 and published as US-2019-0344258-A1 on Nov. 14, 2019, 24 pages.

“Office Action dated Apr. 1, 2022 in U.S. Appl. No. 29/758,973, filed Nov. 19, 2020”, 9 pages.

“Office Action dated Apr. 1, 2022 in U.S. Appl. No. 29/758,974, filed Nov. 19, 2020”, 9 pages.

“Office Action dated Apr. 1, 2022 in U.S. Appl. No. 29/758,966, filed Nov. 19, 2020”, 10 pages.

Office Action dated Apr. 1, 2022 in U.S. Appl. No. 29/758,975, filed Nov. 19, 2020, 9 pages.

* cited by examiner

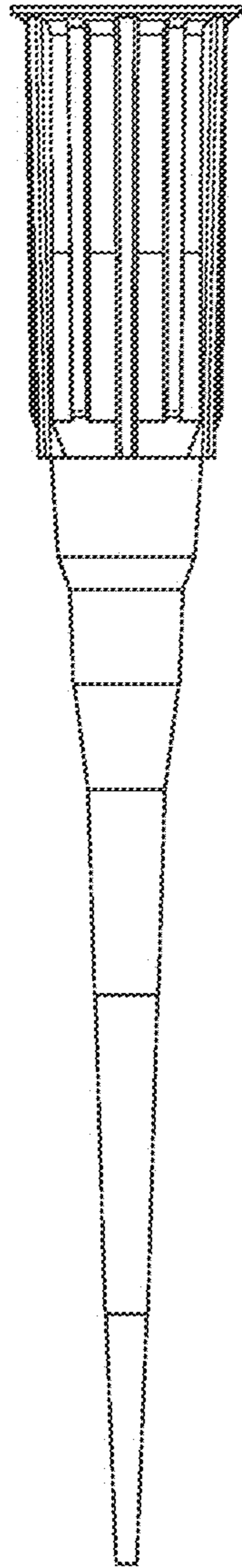


Fig. 1

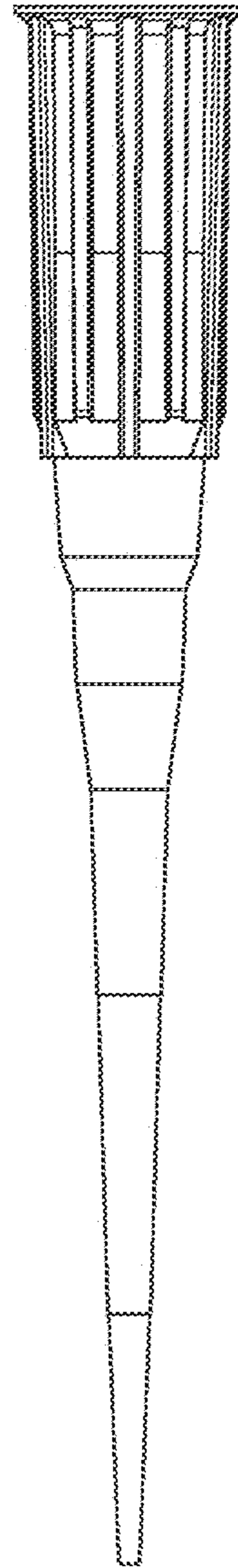


Fig. 2

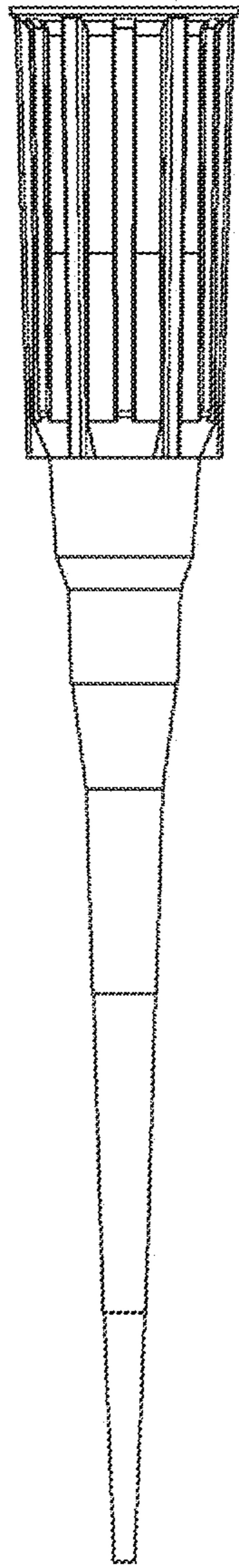


Fig. 3

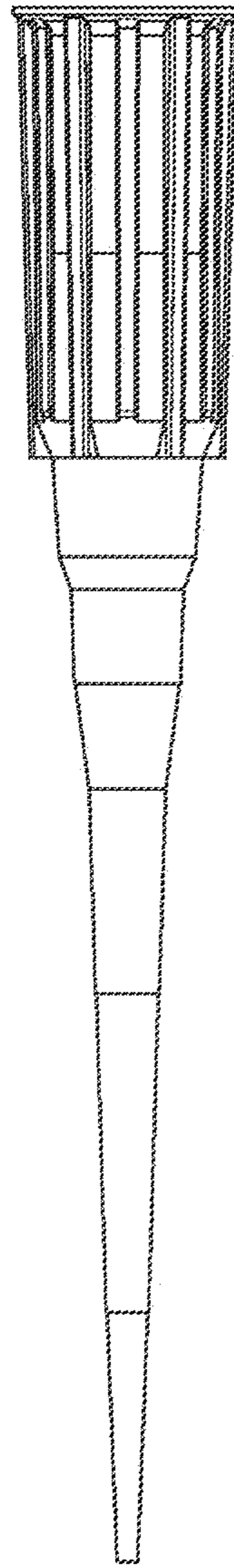


Fig. 4

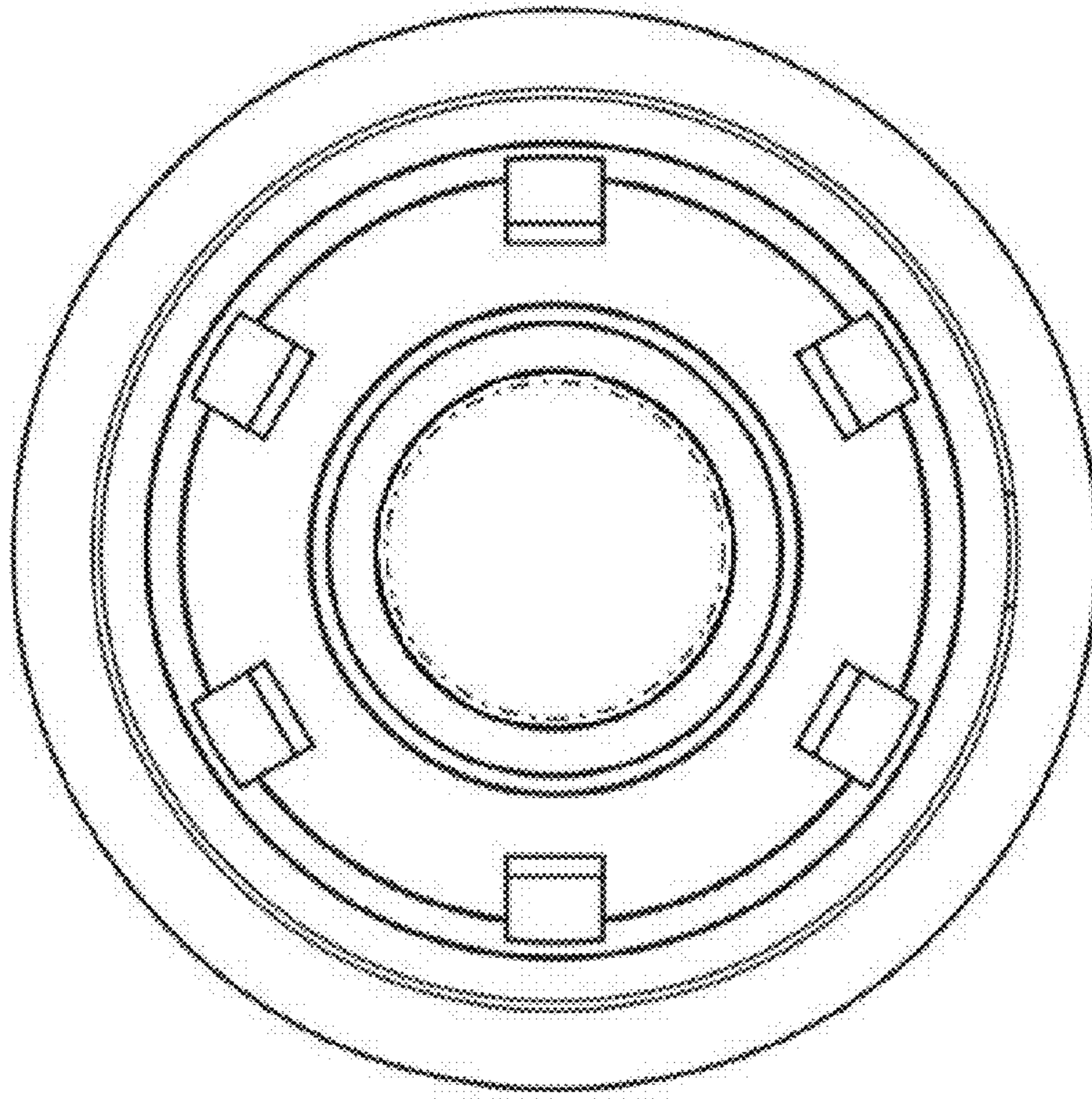


Fig. 5

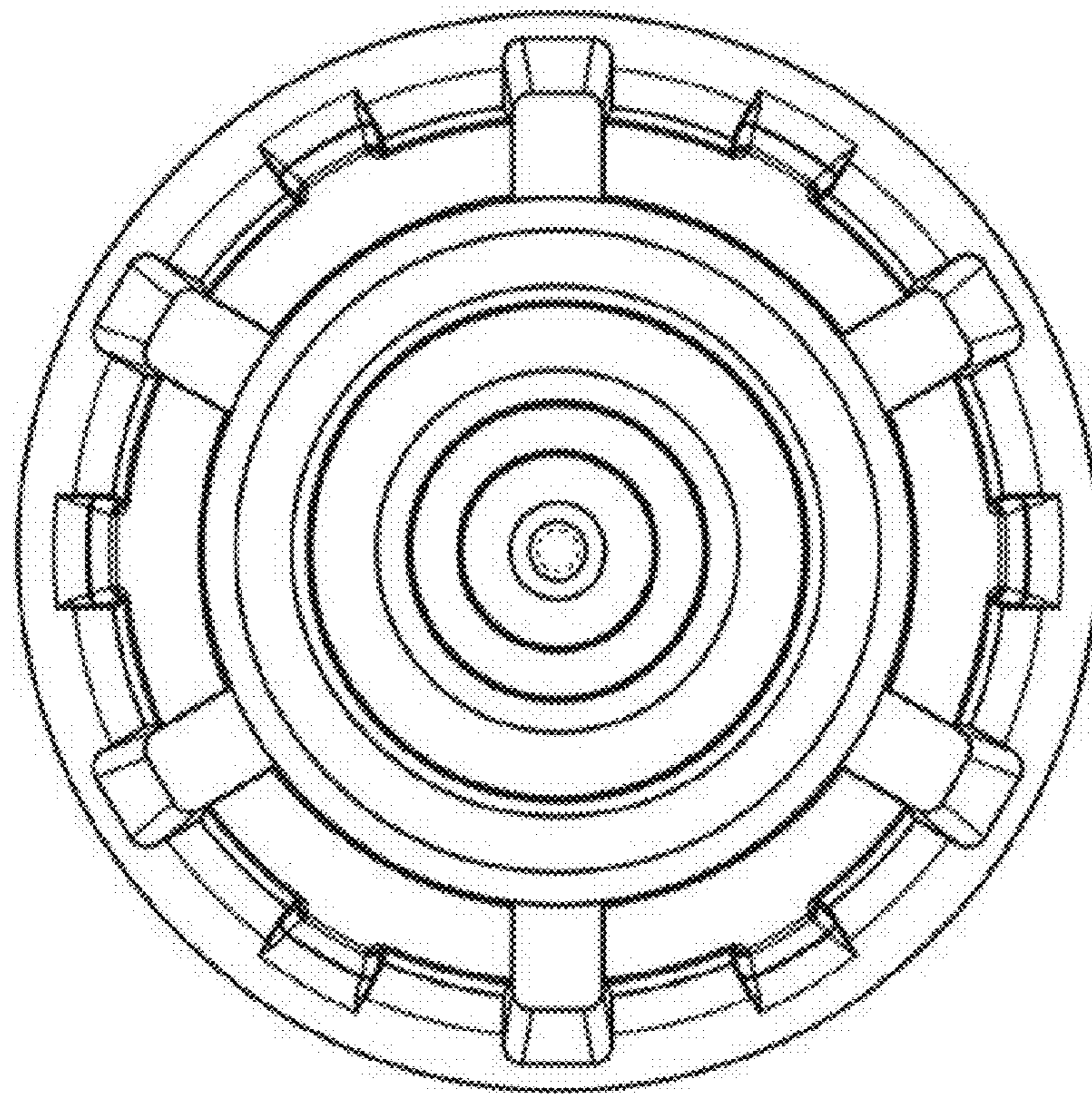


Fig. 6

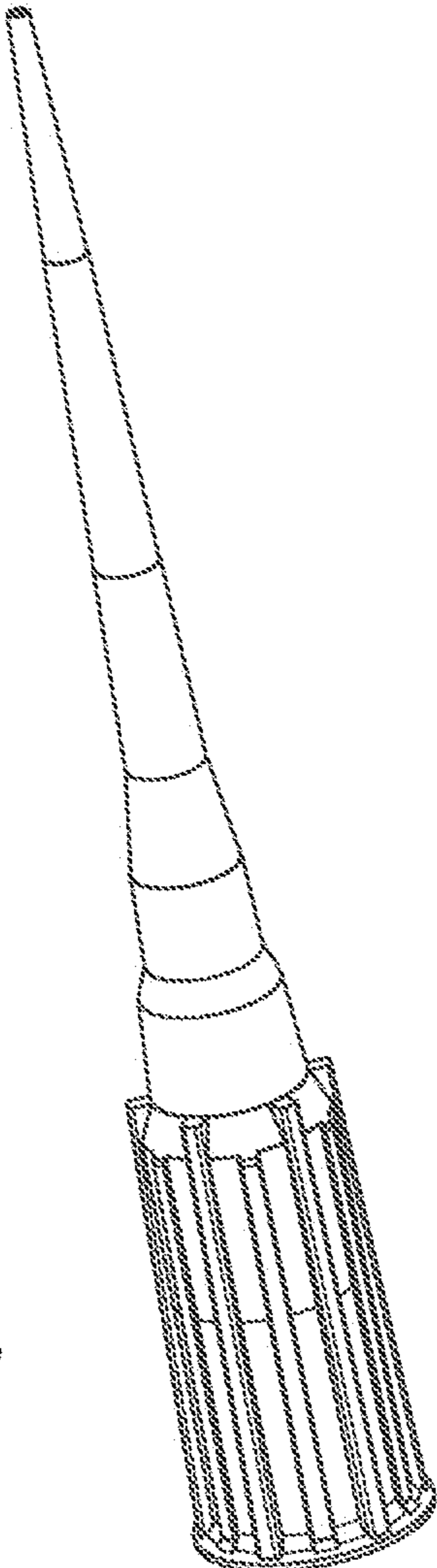


Fig. 7

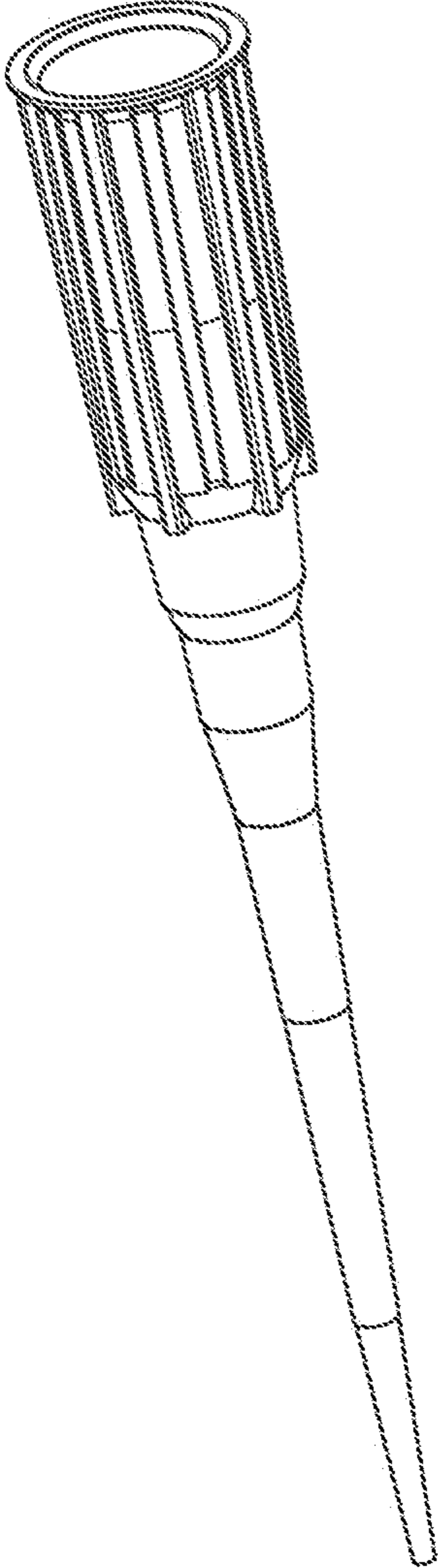


Fig. 8

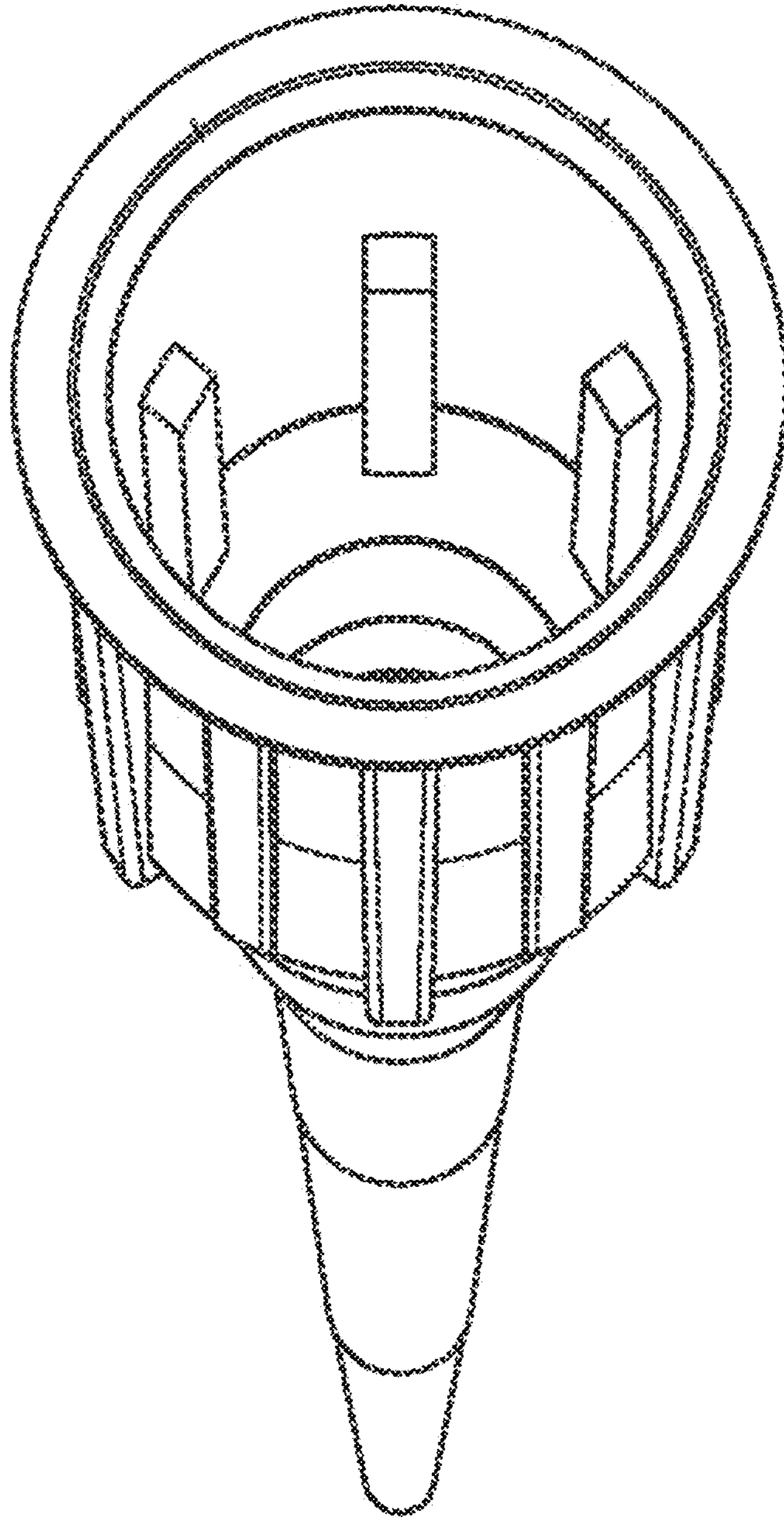


Fig. 9