



US00D983396S

(12) **United States Design Patent**
Chan

(10) **Patent No.:** **US D983,396 S**
(45) **Date of Patent:** **** Apr. 11, 2023**

(54) **MEDICAL SAMPLE COLLECTOR DEVICE**

(71) Applicant: **DNA Medicine Institute, Inc.**,
Cambridge, MA (US)

(72) Inventor: **Eugene Y. Chan**, Boston, MA (US)

(73) Assignee: **DNA Medicine Institute, Inc.**, Bedford,
MA (US)

(**) Term: **15 Years**

(21) Appl. No.: **29/785,353**

(22) Filed: **May 25, 2021**

(51) **LOC (14) Cl.** **24-01**

(52) **U.S. Cl.**
USPC **D24/216**

(58) **Field of Classification Search**
USPC D24/107, 186, 216, 232, 233, 234, 121,
D24/122, 223, 224, 225, 227, 231, 119;
D10/81
CPC A61B 10/0051; A61B 10/0096; B01L
3/5023; B01L 3/523; B01L 3/565; B01L
2300/0809; B01L 2300/0832; C12Q
1/6883; C12Q 1/6806

See application file for complete search history.

(56) **References Cited**

U.S. PATENT DOCUMENTS

D250,481 S *	12/1978	Whattam	D24/224
D325,881 S *	5/1992	Brayton	D10/81
D640,795 S *	6/2011	Jackson	D24/216
D659,848 S *	5/2012	TerMaat	D24/224
D690,025 S *	9/2013	TerMaat	D24/224
D910,200 S *	2/2021	Reber	D24/224
D933,203 S *	10/2021	Zhang	D24/121

D954,287 S * 6/2022 Fry B01L 3/5029
D24/216
2022/0126288 A1* 4/2022 Lampropoulos B01L 3/50825
2022/0184608 A1* 6/2022 Bennett A61B 10/0096

* cited by examiner

Primary Examiner — Anhdao Doan

(74) *Attorney, Agent, or Firm* — Danielson Legal LLC

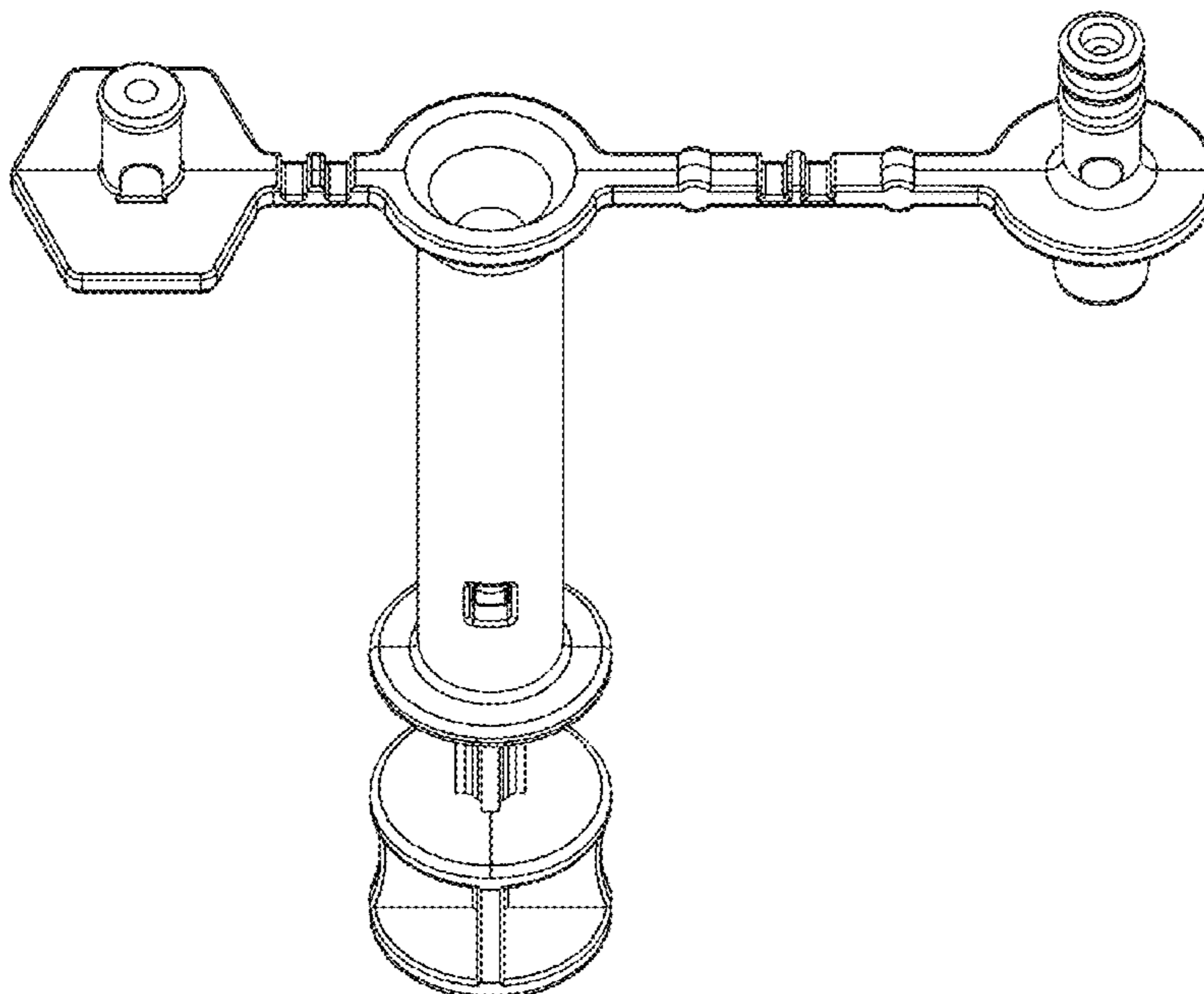
(57) **CLAIM**

The ornamental design for a medical sample collector device, as shown and described.

DESCRIPTION

FIG. 1 is a front view of medical sample collector device of the present invention;
FIG. 2 is a rear view thereof in a retracted position;
FIG. 3 is a top and rear perspective view thereof in an extended position;
FIG. 4 is a bottom and rear perspective view thereof;
FIG. 5 is a side perspective view thereof;
FIG. 6 is a top perspective view thereof;
FIG. 7 is a top view thereof;
FIG. 8 is a side view thereof;
FIG. 9 is another side view thereof;
FIG. 10 is a cross sectional view thereof taken at the longitudinal center of FIG. 3, perpendicular to the line of sight;
FIG. 11 is a cross sectional view thereof taken at the longitudinal center of FIG. 3, perpendicular to the line of sight, in a retracted position;
FIG. 12 is a bottom view thereof;
FIG. 13 is a top and rear perspective view thereof in a condition in which the cap portion is closed; and,
FIG. 14 is a top and rear perspective view thereof in a condition in which the cap portion is open and the medical device receives a sample.

1 Claim, 14 Drawing Sheets



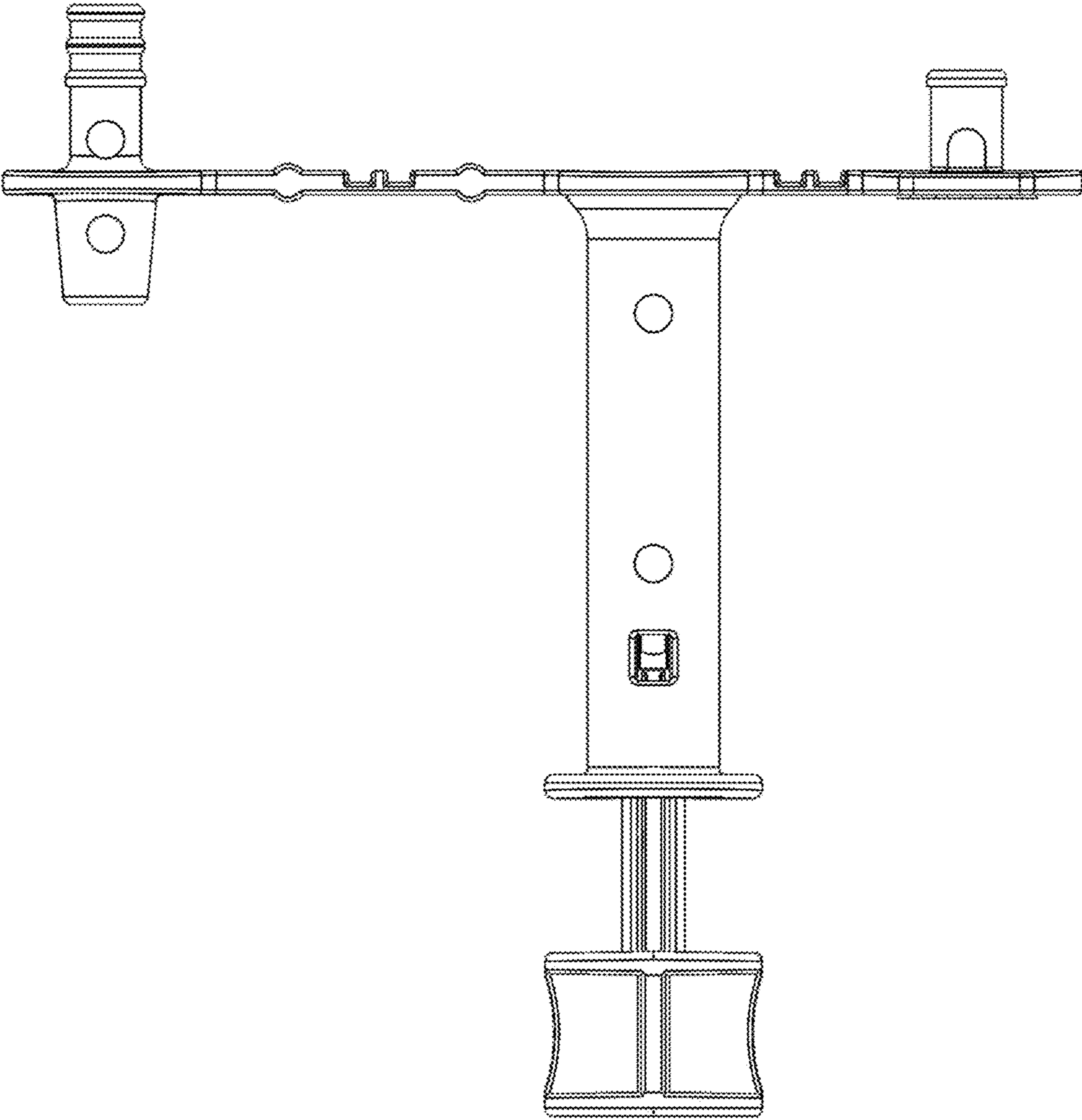


FIG. 1

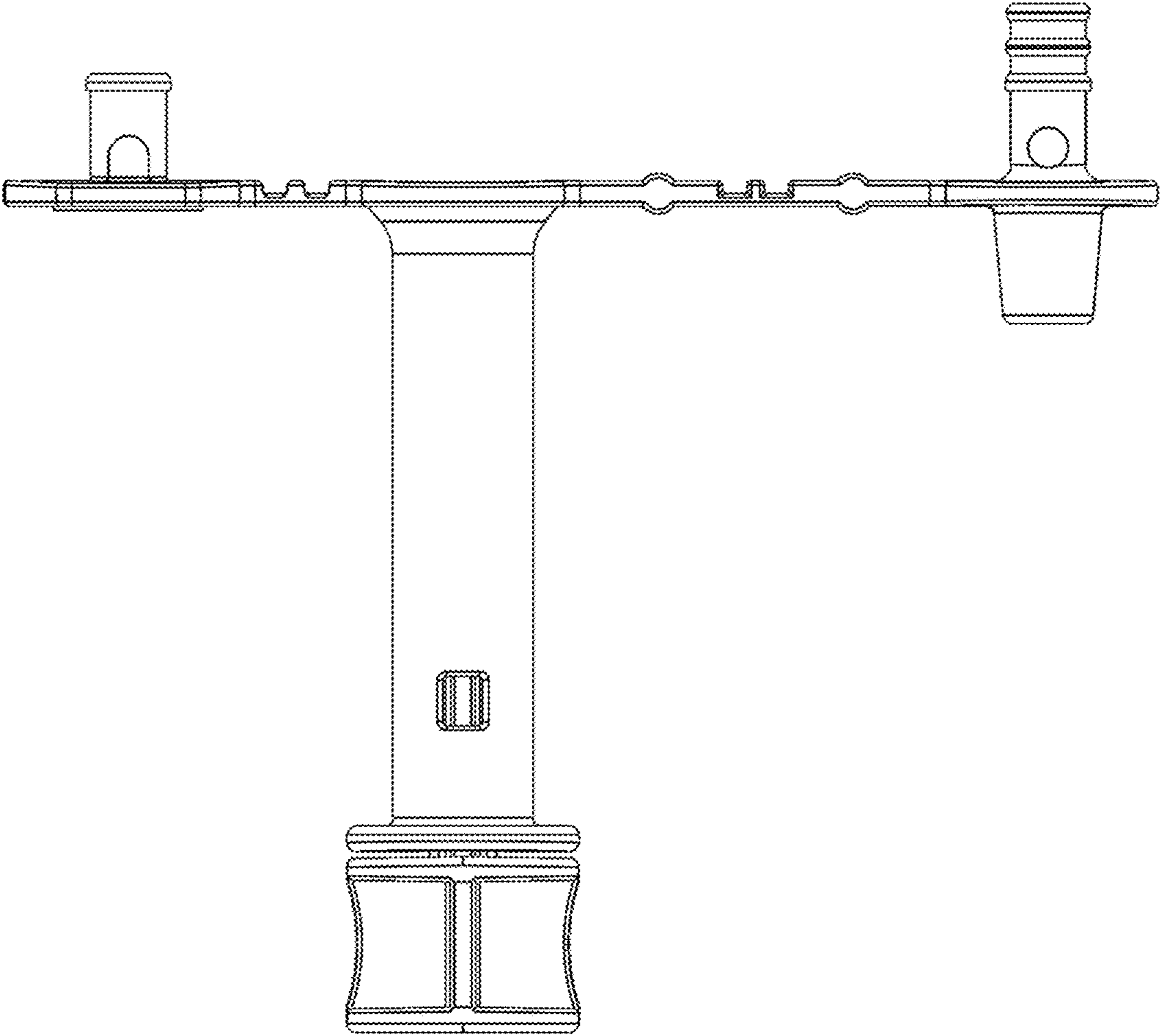


FIG. 2

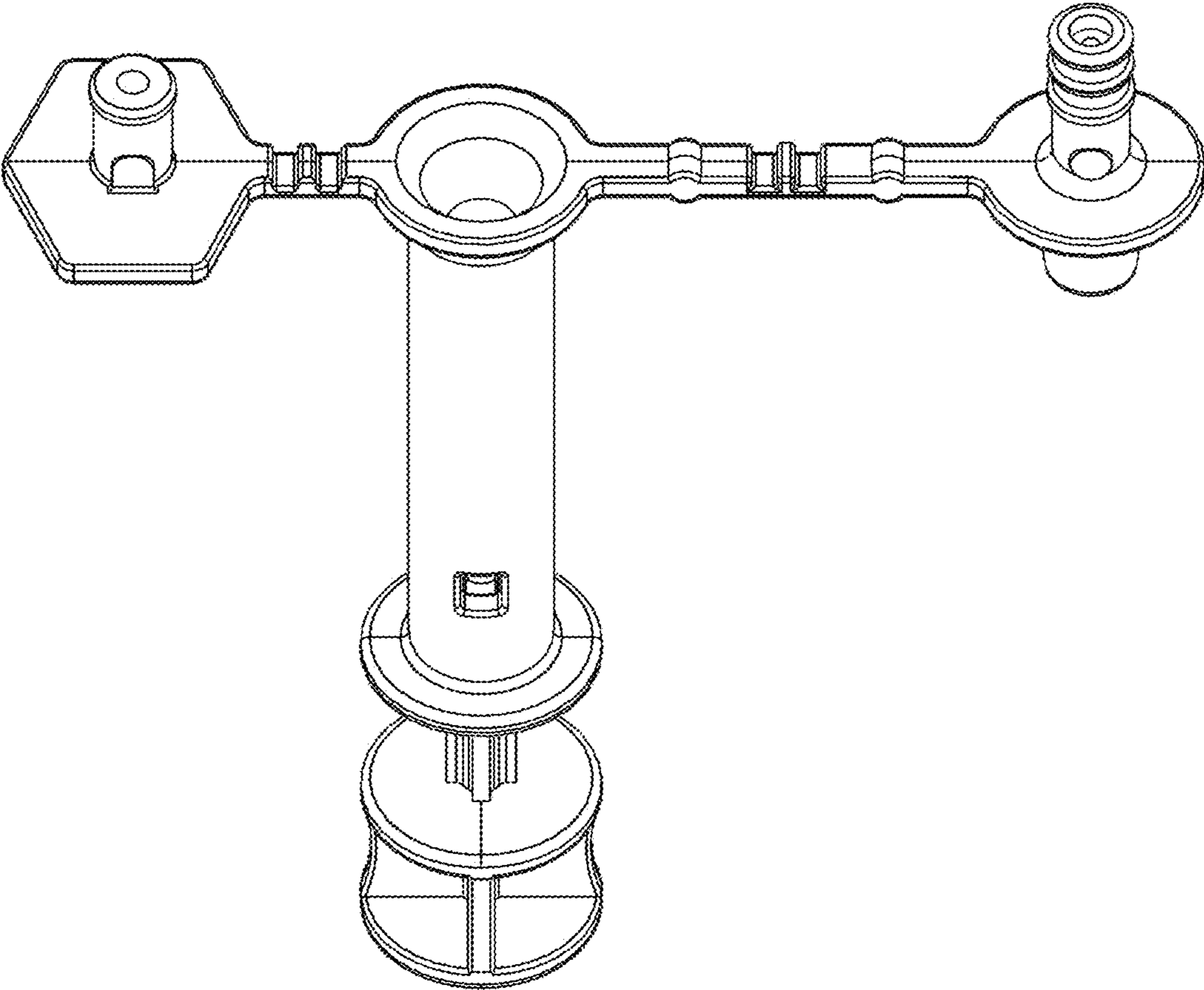


FIG. 3

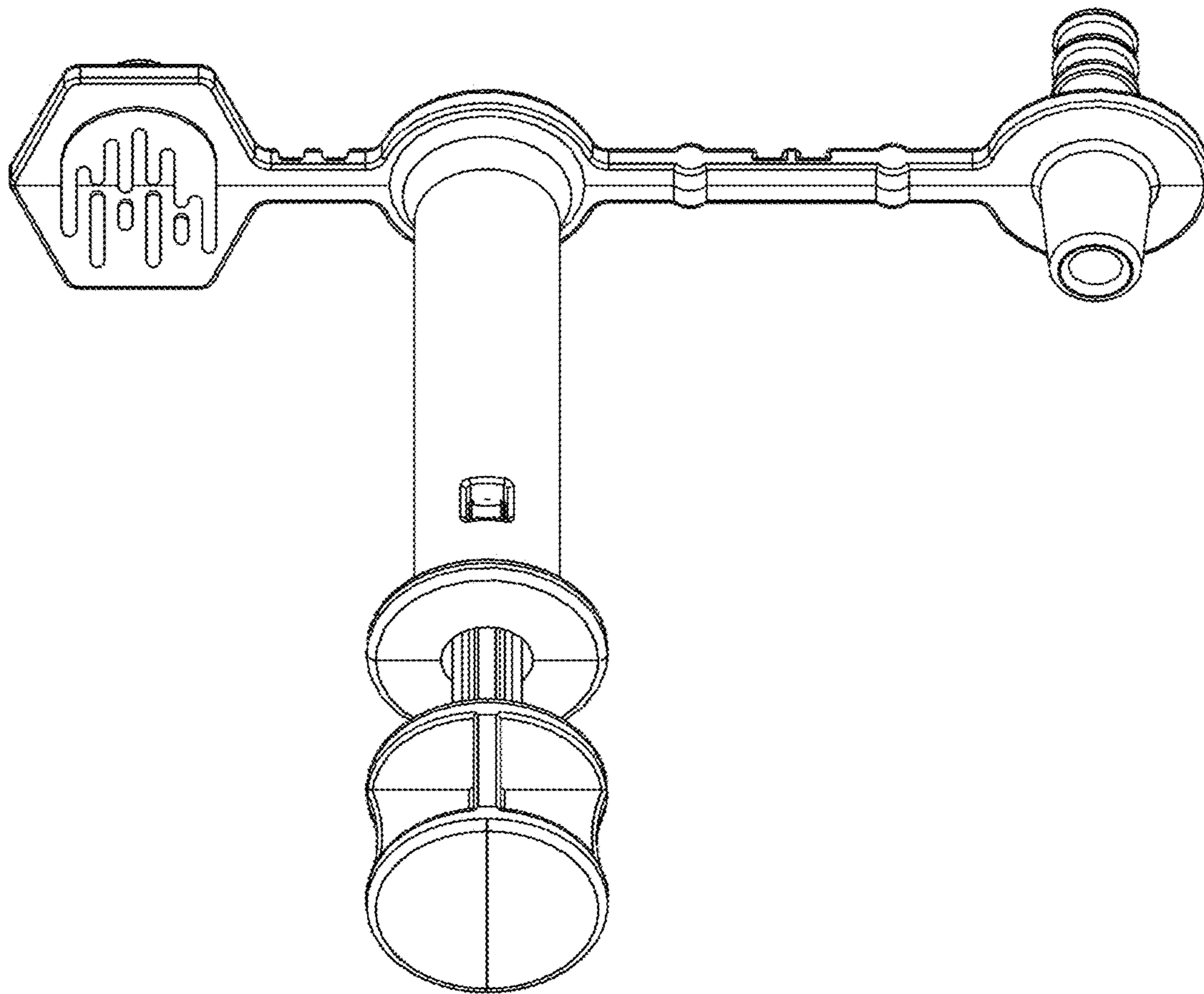


FIG. 4

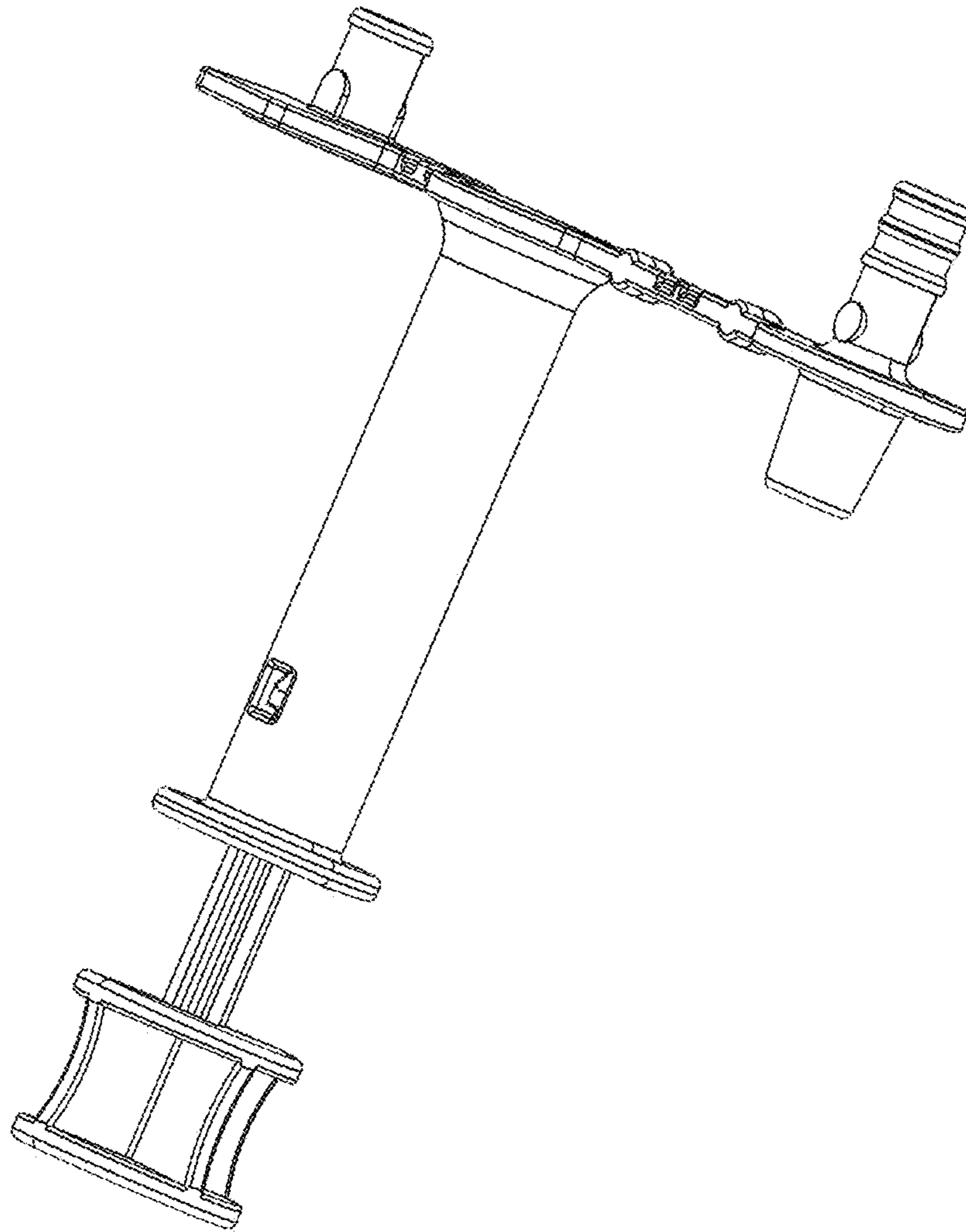


FIG. 5

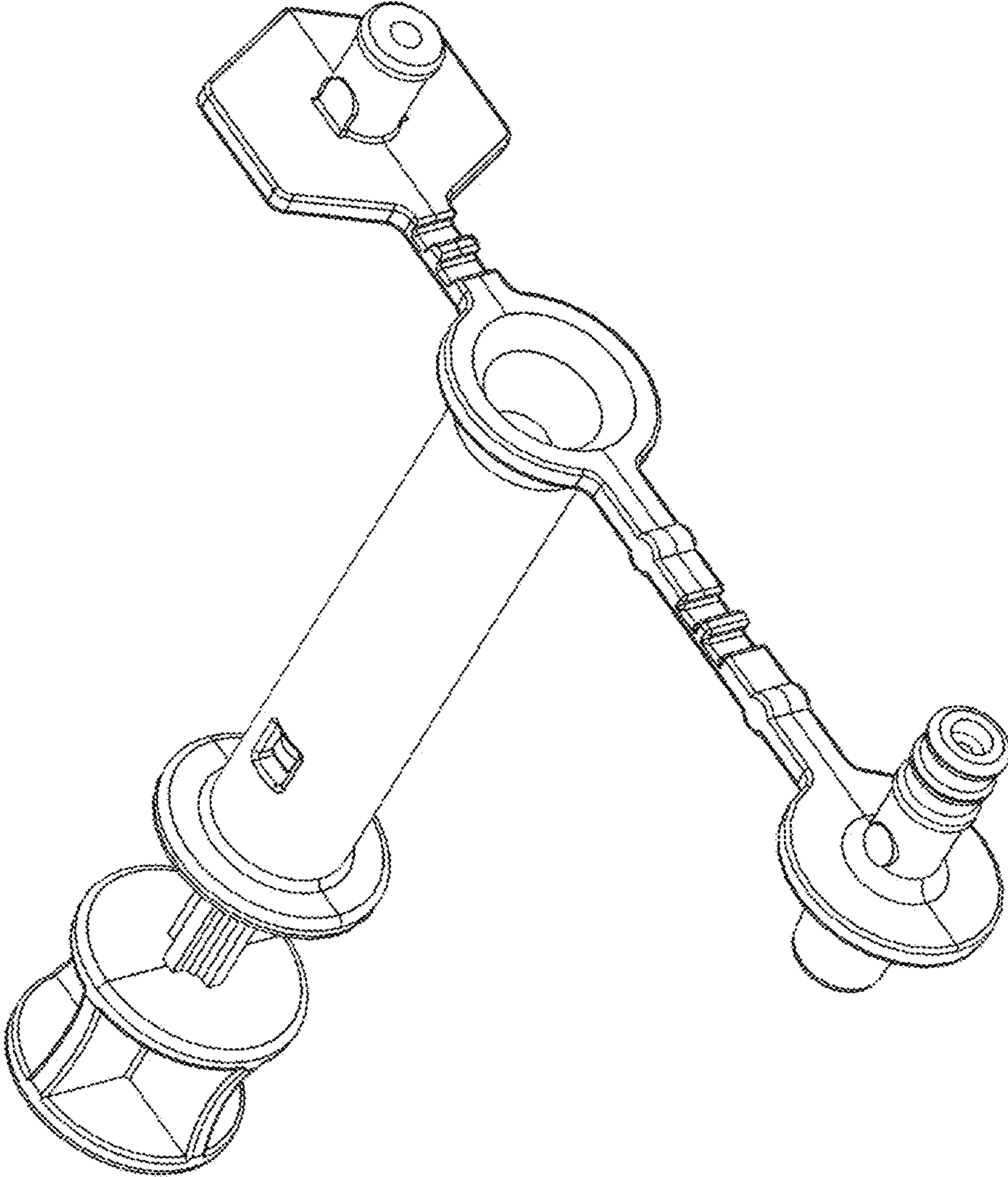


FIG. 6

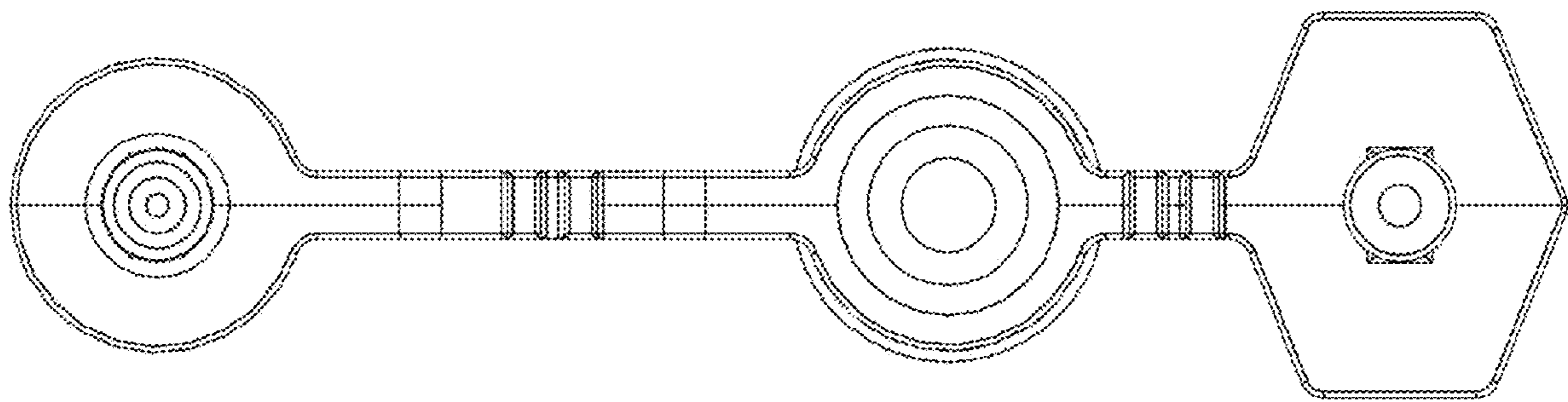


FIG. 7

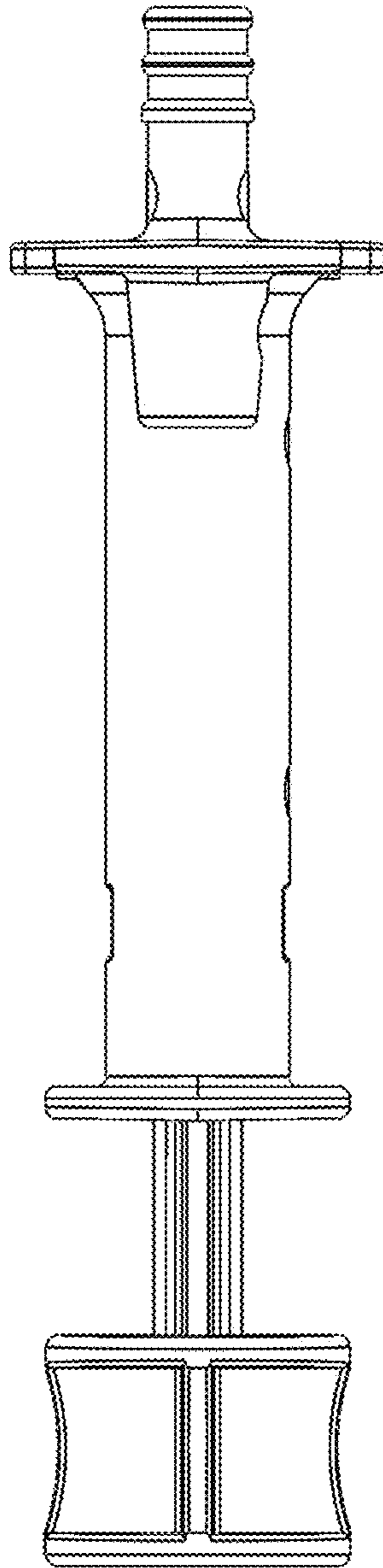


FIG. 8

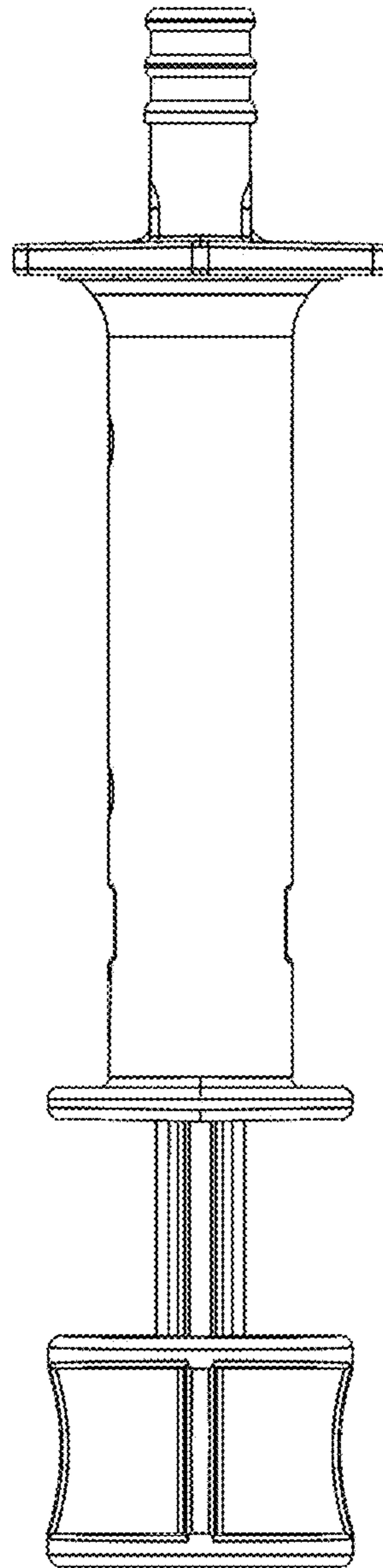


FIG. 9

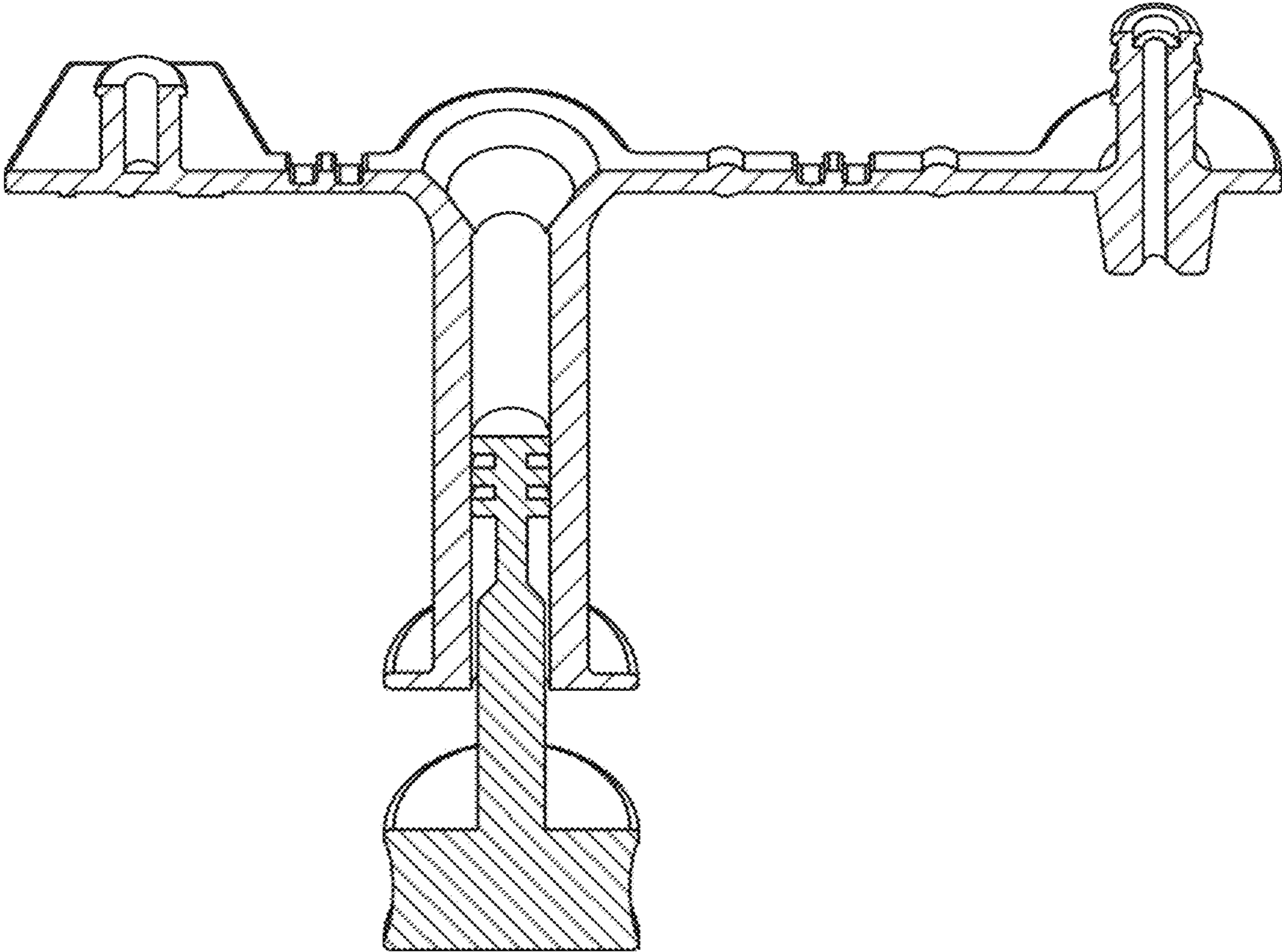


FIG. 10

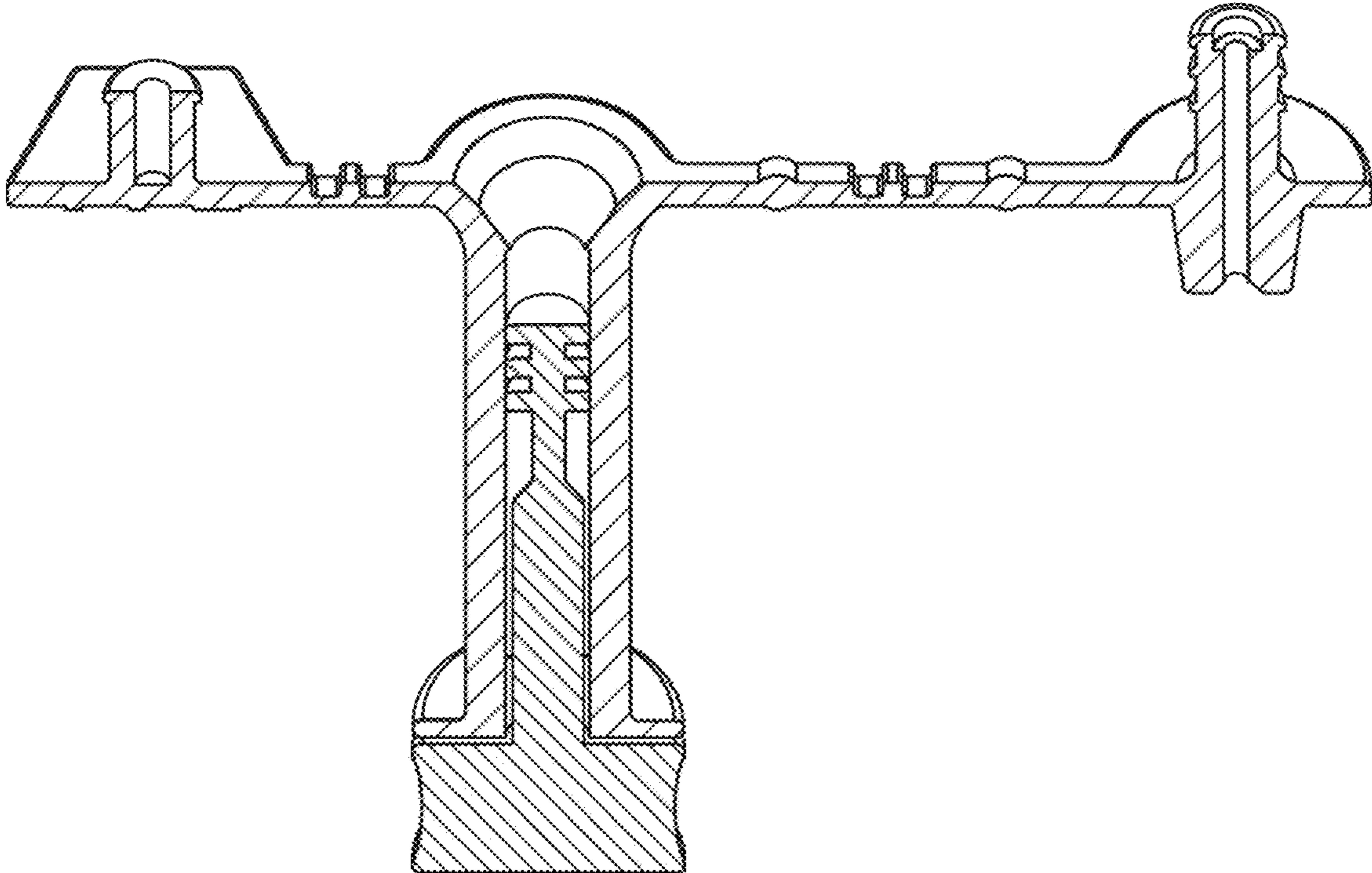


FIG. 11

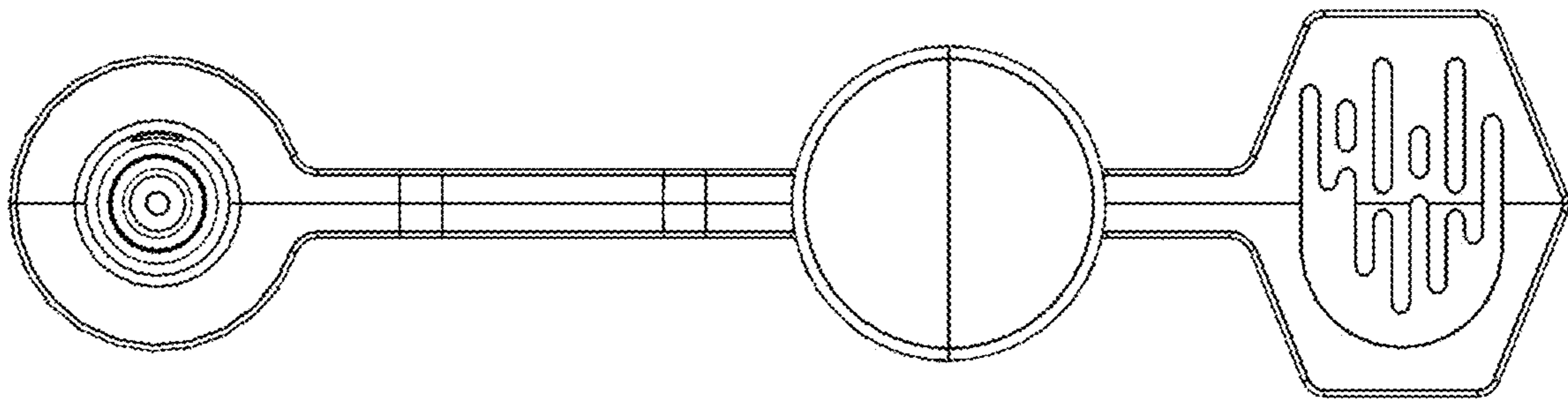


FIG. 12

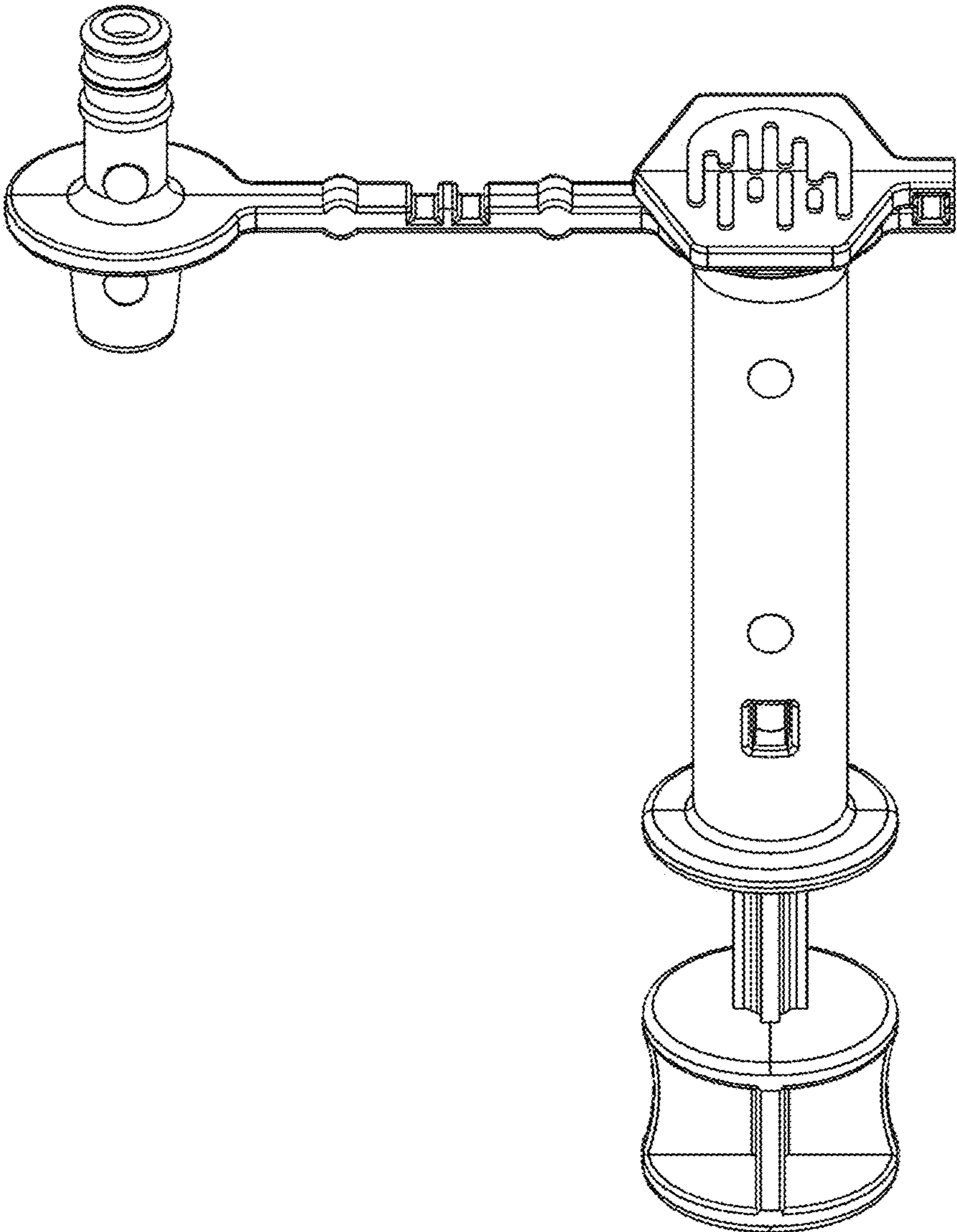


FIG. 13

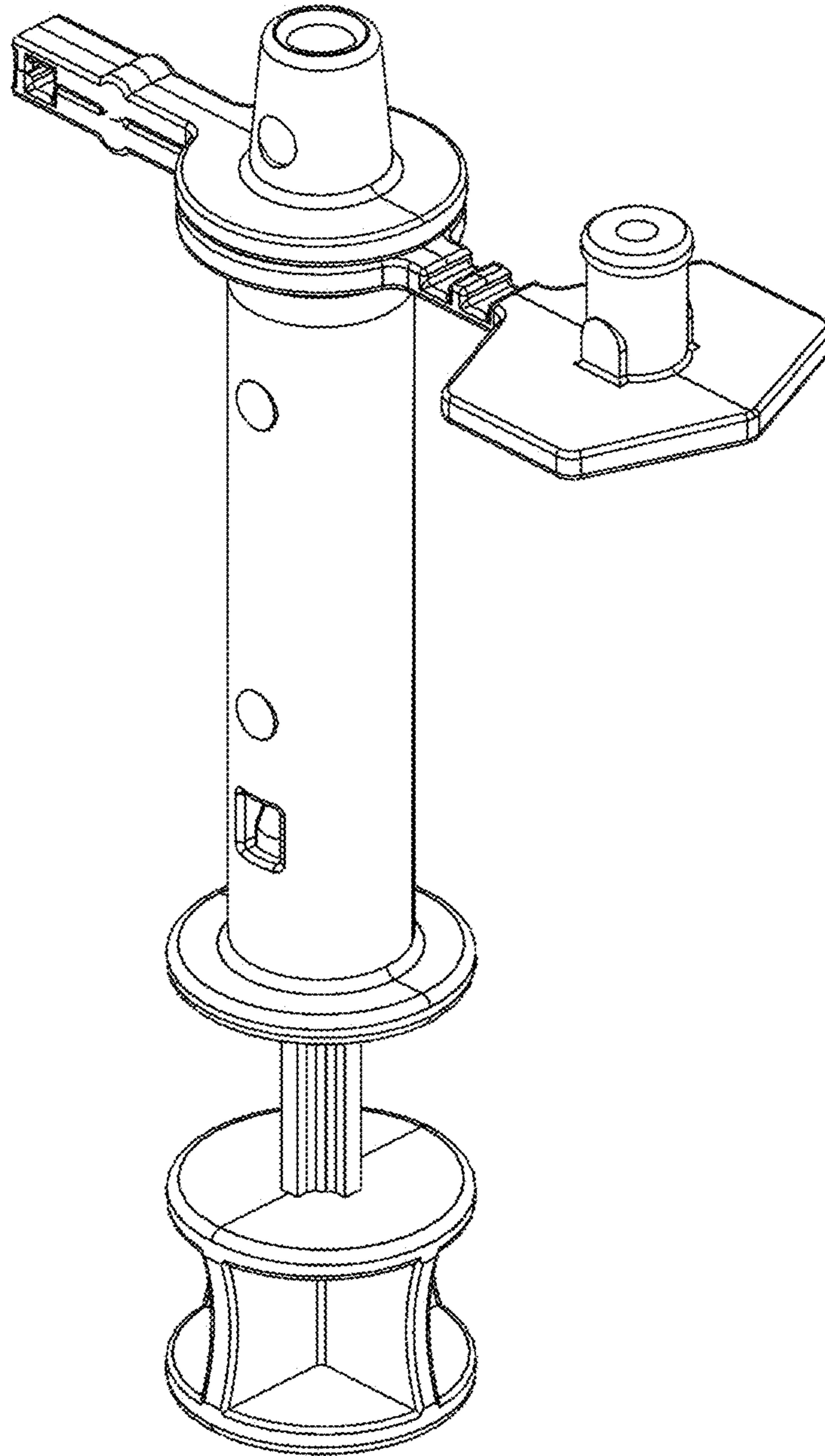


FIG. 14