



US00D983394S

(12) **United States Design Patent**
Zhang

(10) **Patent No.:** **US D983,394 S**

(45) **Date of Patent:** **** Apr. 11, 2023**

(54) **PENIS EXERCISER**

(71) Applicant: **Dongguan Siyou Electronic Technology Co., Ltd**, Dongguan (CN)

(72) Inventor: **Wenbin Zhang**, Nanchong (CN)

(73) Assignee: **Dongguan Siyou Electronic Technology Co., Ltd**, Dongguan (CN)

(**) Term: **15 Years**

(21) Appl. No.: **29/869,649**

(22) Filed: **Jan. 5, 2023**

(51) **LOC (14) Cl.** **24-01**

(52) **U.S. Cl.**
USPC **D24/215**

(58) **Field of Classification Search**
USPC D24/141, 200, 211, 212, 213, 214, 215
CPC A61H 19/00; A61H 19/44; A61H 19/32;
A61H 19/34; A61H 19/40; A61H 19/50
See application file for complete search history.

(56) **References Cited**

U.S. PATENT DOCUMENTS

D674,477 S *	1/2013	Beresford-Wylie	D24/105
D898,214 S *	10/2020	Zhou	D24/215
D914,226 S *	3/2021	Rakshit	D24/215
D949,402 S *	4/2022	Preobrazhenskaia	D24/215
D965,162 S	9/2022	Shaw		
2015/0157531 A1 *	6/2015	Sedic	A61H 19/40 601/46

OTHER PUBLICATIONS

Amazon, "Penis Ring", Date First Available: Aug. 15, 2022. https://www.amazon.com/NOPNOG-Spring-Urethral-Chastity-Stainless/dp/B0B9NYJH2S/ref=sr_1_49?crd=LH2BPPK6197N&keywords=Penis%2BRing%2CChastity&qid=1675177390&s=hpc&sprefix=penis%2Bbring%2Cchastity%2Chpc%2C154&sr=1-49&th=1 (Year: 2022).*

* cited by examiner

Primary Examiner — Michael A Maharajh

(74) *Attorney, Agent, or Firm* — Nitin Kaushik

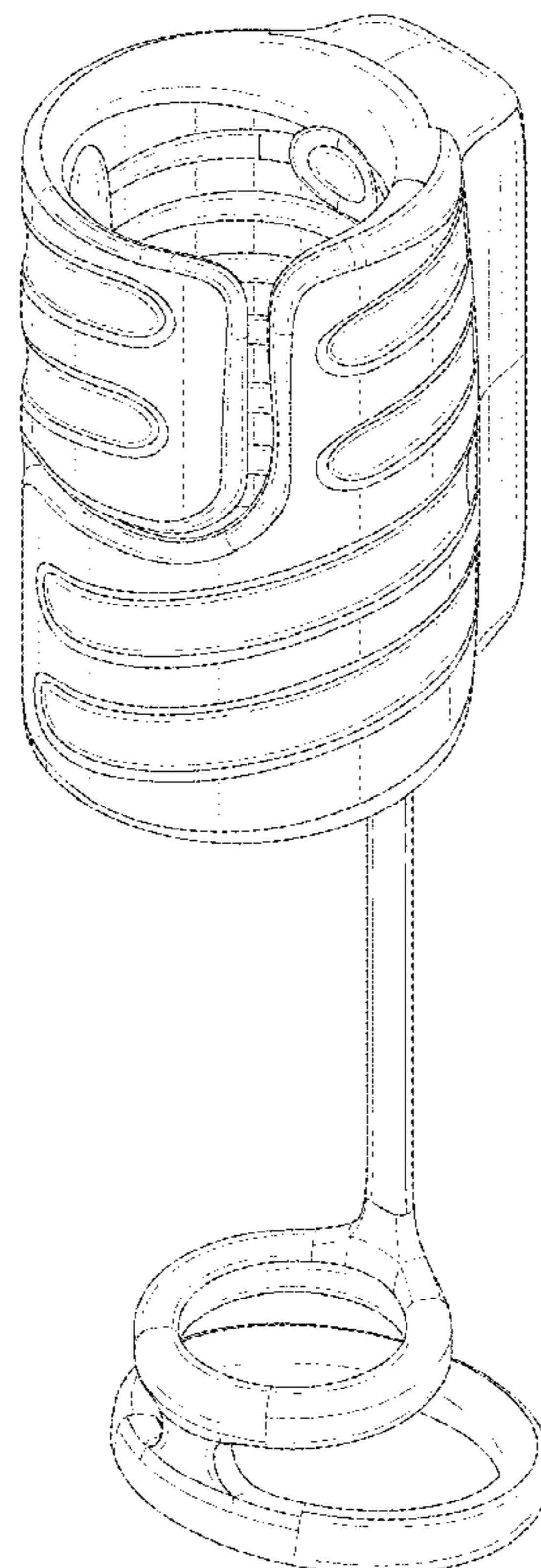
(57) **CLAIM**

The ornamental design for a penis exerciser, as shown and described.

DESCRIPTION

FIG. 1 is a front perspective view of a penis exerciser, showing my new design;
FIG. 2 is a front view thereof;
FIG. 3 is a rear view thereof;
FIG. 4 is a left side view thereof;
FIG. 5 is a right side view thereof;
FIG. 6 is a top view thereof; and,
FIG. 7 is a bottom view thereof.

1 Claim, 7 Drawing Sheets



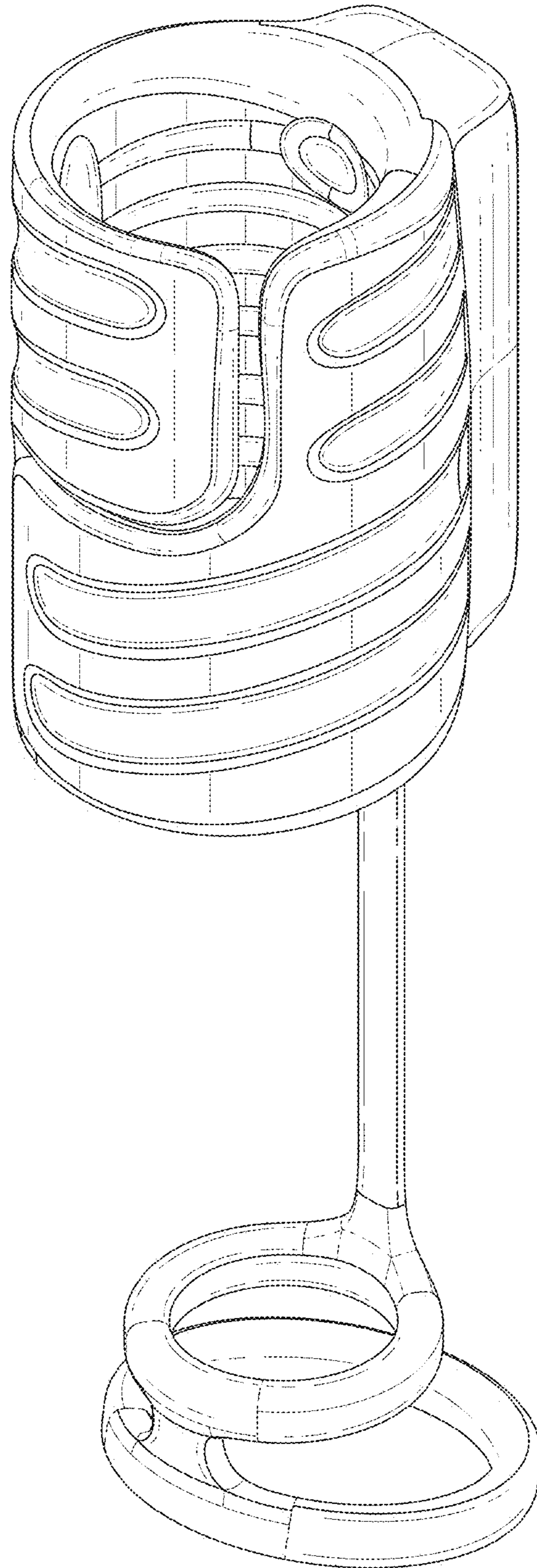


FIG. 1

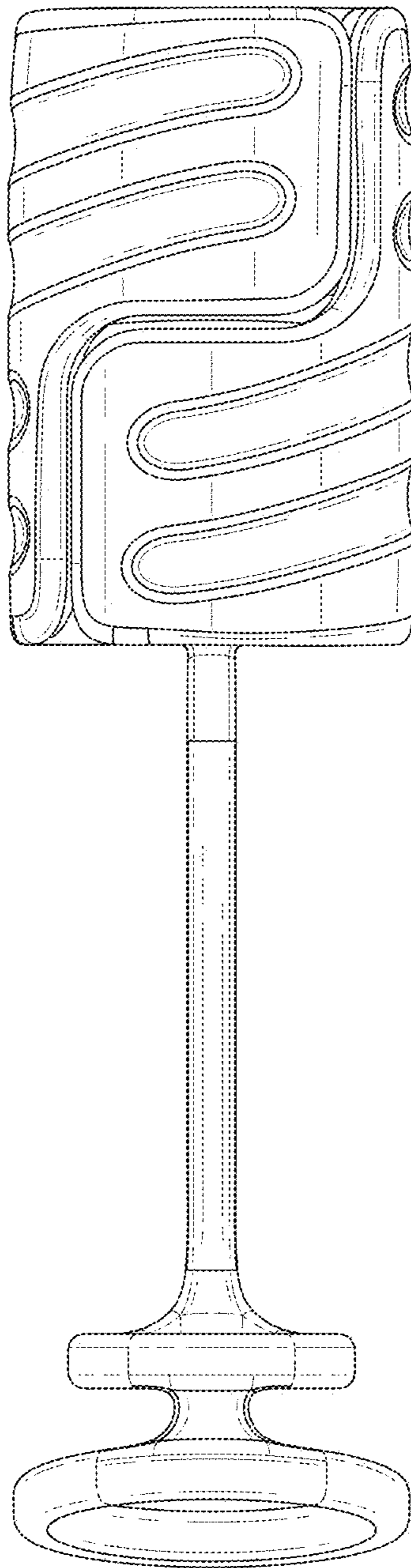


FIG. 2

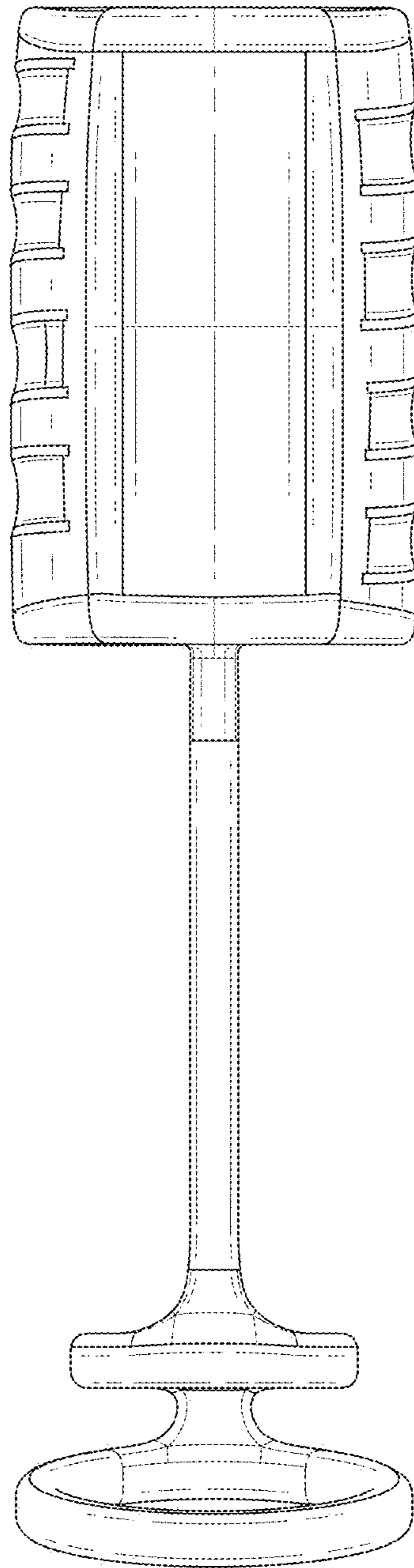


FIG. 3

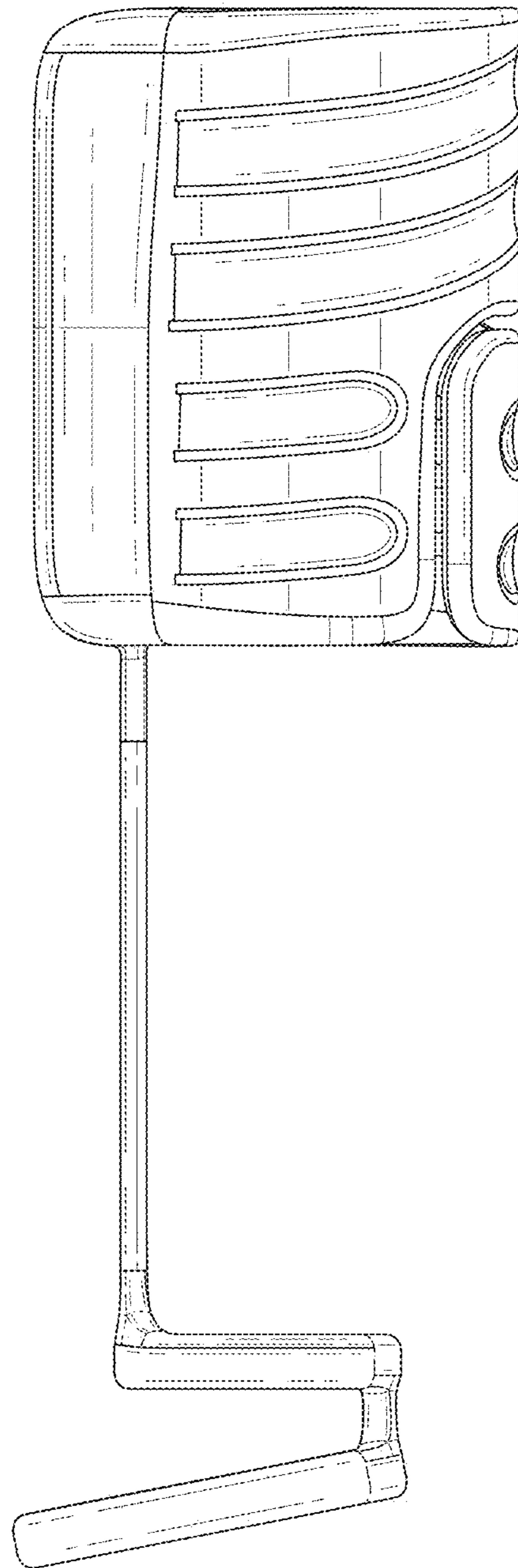


FIG. 4

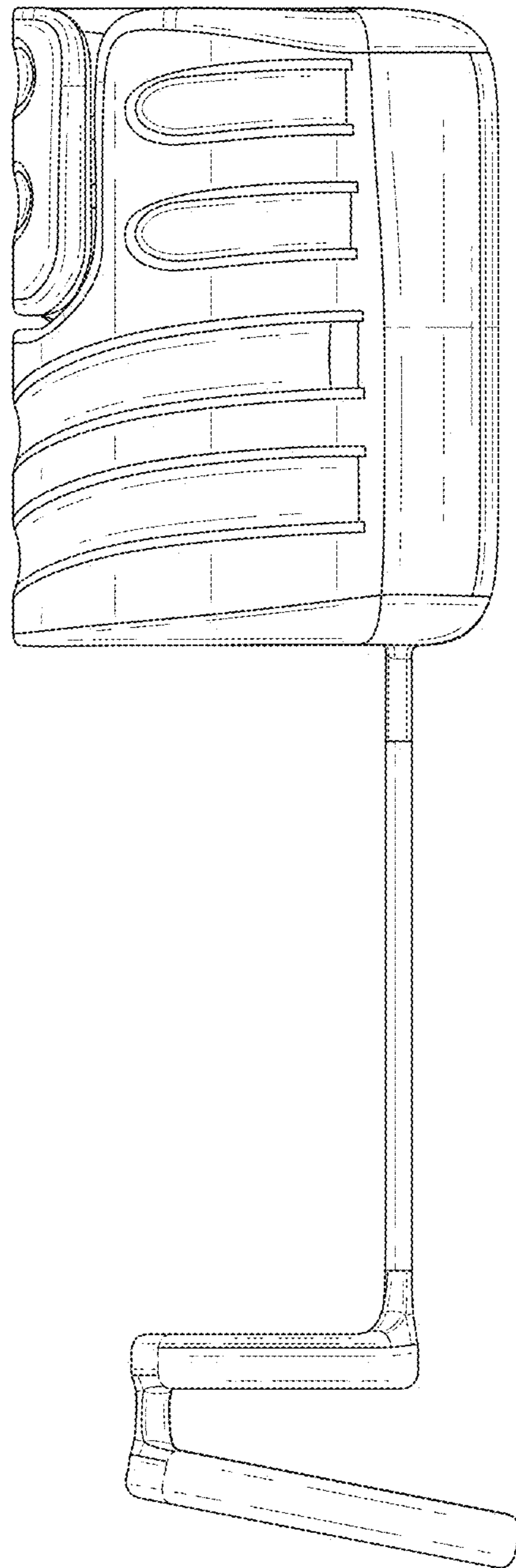


FIG. 5

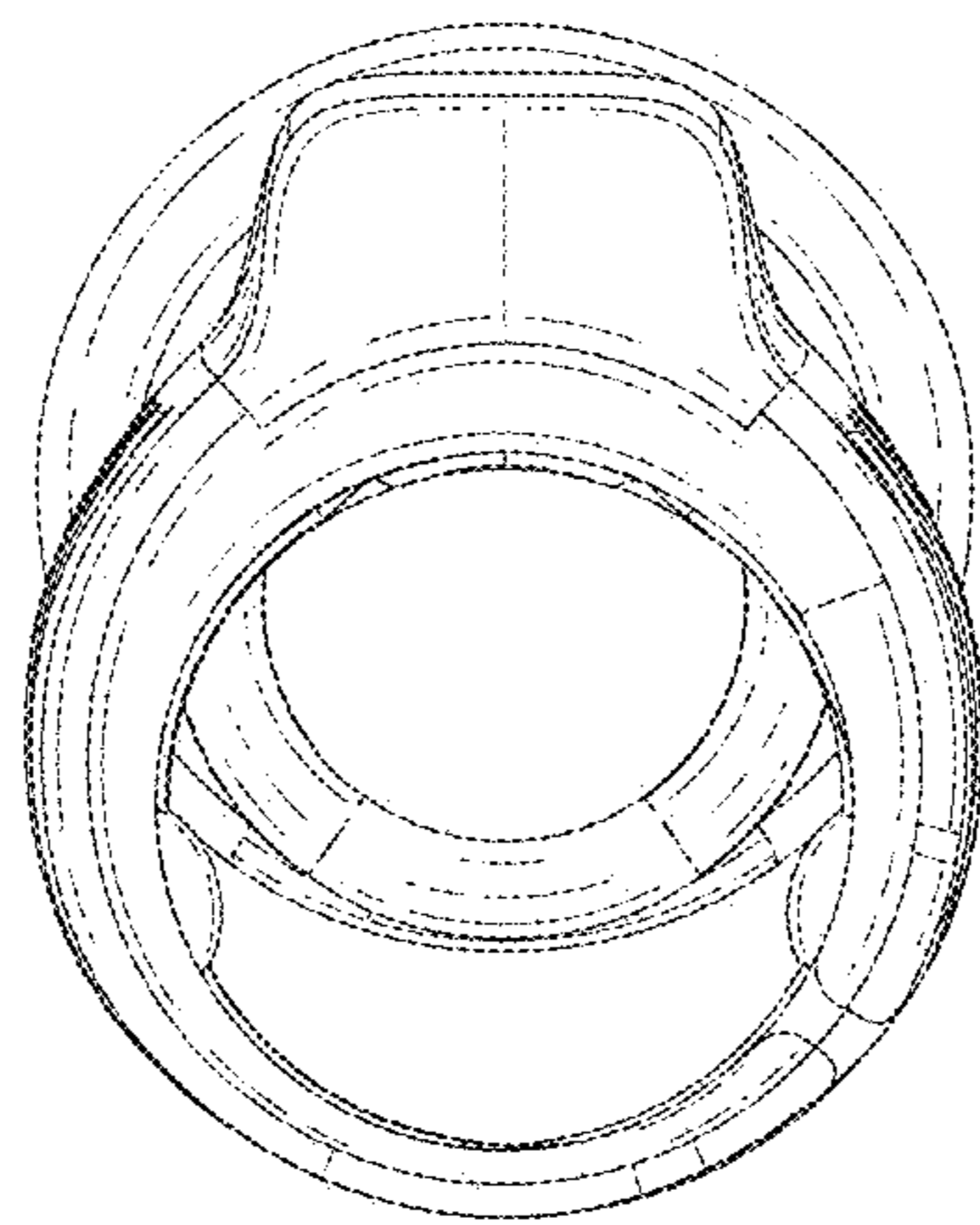


FIG. 6

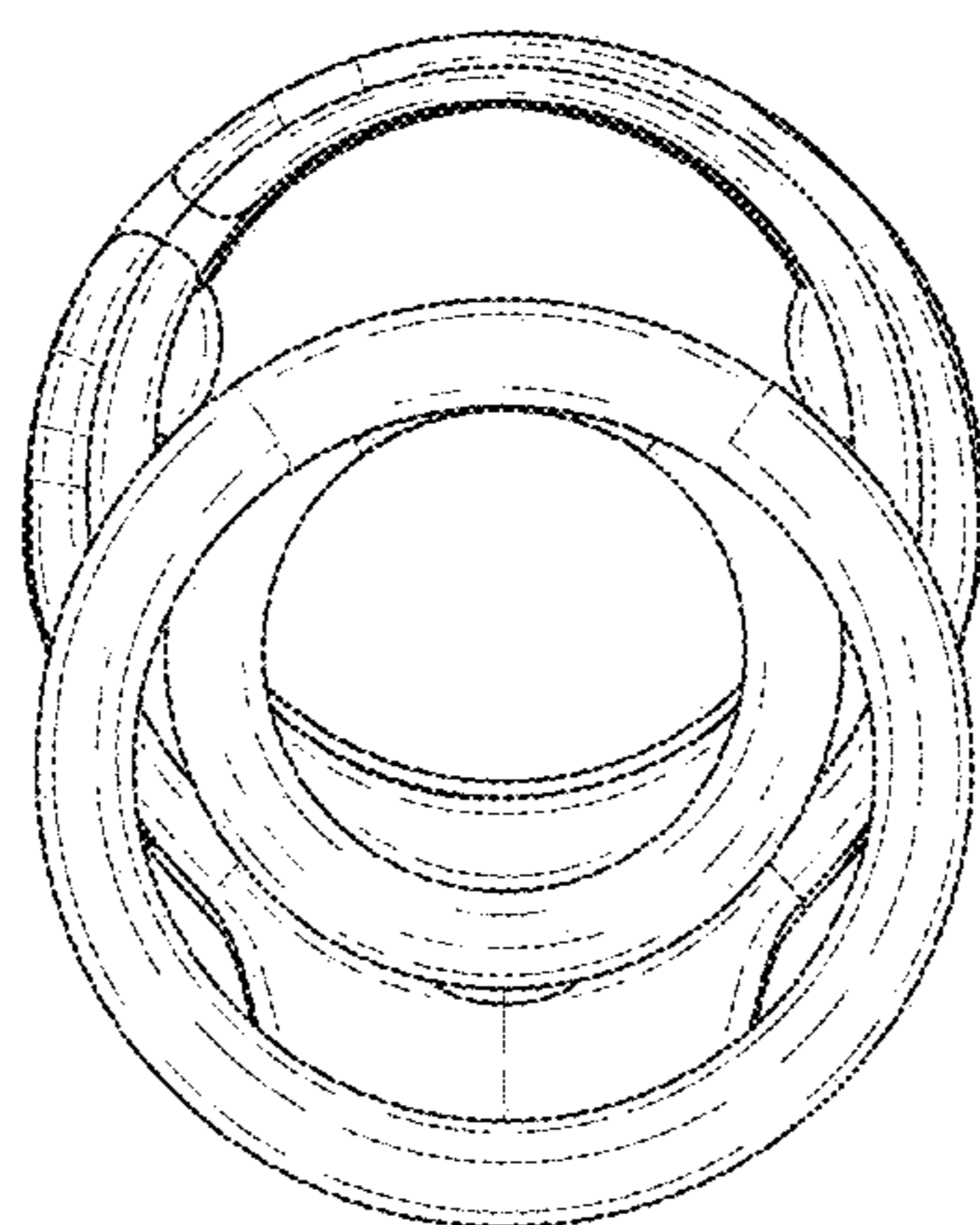


FIG. 7