



US00D983392S

(12) **United States Design Patent**  
**Jin**

(10) **Patent No.:** **US D983,392 S**

(45) **Date of Patent:** **\*\* Apr. 11, 2023**

(54) **MESSAGE GUN**

(71) Applicant: **Peng Jin**, Yongkang (CN)

(72) Inventor: **Peng Jin**, Yongkang (CN)

(\*\*) Term: **15 Years**

(21) Appl. No.: **29/784,545**

(22) Filed: **May 20, 2021**

(51) **LOC (14) Cl.** ..... **24-01**

(52) **U.S. Cl.**  
USPC ..... **D24/215**

(58) **Field of Classification Search**  
USPC ..... D24/200, 211, 212, 213, 214, 215;  
D8/14.1; D28/13

CPC ..... A61H 23/006; A61H 2201/0165; A61H  
23/00; A61H 7/00; A61H 7/003; A61H  
7/007; A61H 15/0085; A61H 2201/0153

See application file for complete search history.

(56) **References Cited**

**U.S. PATENT DOCUMENTS**

|              |         |       |       |         |
|--------------|---------|-------|-------|---------|
| D875,961 S * | 2/2020  | Li    | ..... | D24/211 |
| D923,188 S * | 6/2021  | Xu    | ..... | D24/211 |
| D923,194 S * | 6/2021  | Xu    | ..... | D24/215 |
| D932,039 S * | 9/2021  | Yu    | ..... | D24/215 |
| D933,845 S * | 10/2021 | Zheng | ..... | D24/215 |

|              |         |       |       |         |
|--------------|---------|-------|-------|---------|
| D934,440 S * | 10/2021 | Zheng | ..... | D24/214 |
| D935,636 S * | 11/2021 | Luo   | ..... | D24/215 |
| D935,637 S * | 11/2021 | Li    | ..... | D24/215 |
| D939,103 S * | 12/2021 | Xu    | ..... | D24/215 |
| D945,007 S * | 3/2022  | Liu   | ..... | D24/215 |
| D948,068 S * | 4/2022  | Xu    | ..... | D24/215 |
| D949,379 S * | 4/2022  | Xu    | ..... | D24/215 |
| D958,392 S * | 7/2022  | Meng  | ..... | D24/215 |
| D962,461 S * | 8/2022  | Zhang | ..... | D24/215 |

\* cited by examiner

*Primary Examiner* — Michael A Maharajh

(57) **CLAIM**

The ornamental design for a massage gun, as shown and described.

**DESCRIPTION**

FIG. 1 is a perspective view of a massage gun showing my new design;

FIG. 2 is another perspective view thereof;

FIG. 3 is a front elevational view thereof;

FIG. 4 is a rear elevational view thereof;

FIG. 5 is a left side elevational view thereof;

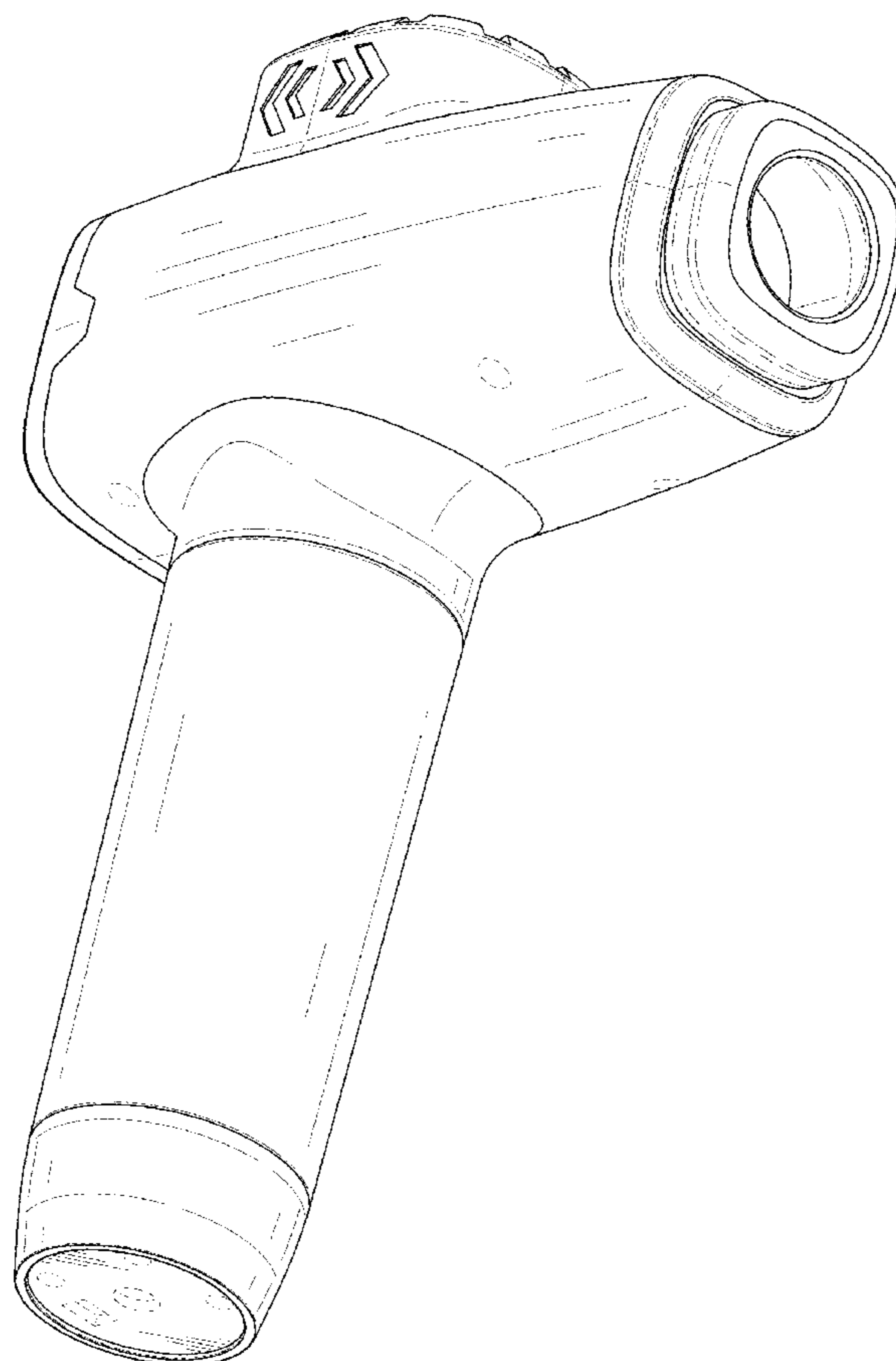
FIG. 6 is a right side elevational view thereof;

FIG. 7 is a top plan view thereof; and,

FIG. 8 is a bottom plan view thereof.

The broken lines in the drawings depict portions of the massage gun that form no part of the claimed design.

**1 Claim, 8 Drawing Sheets**



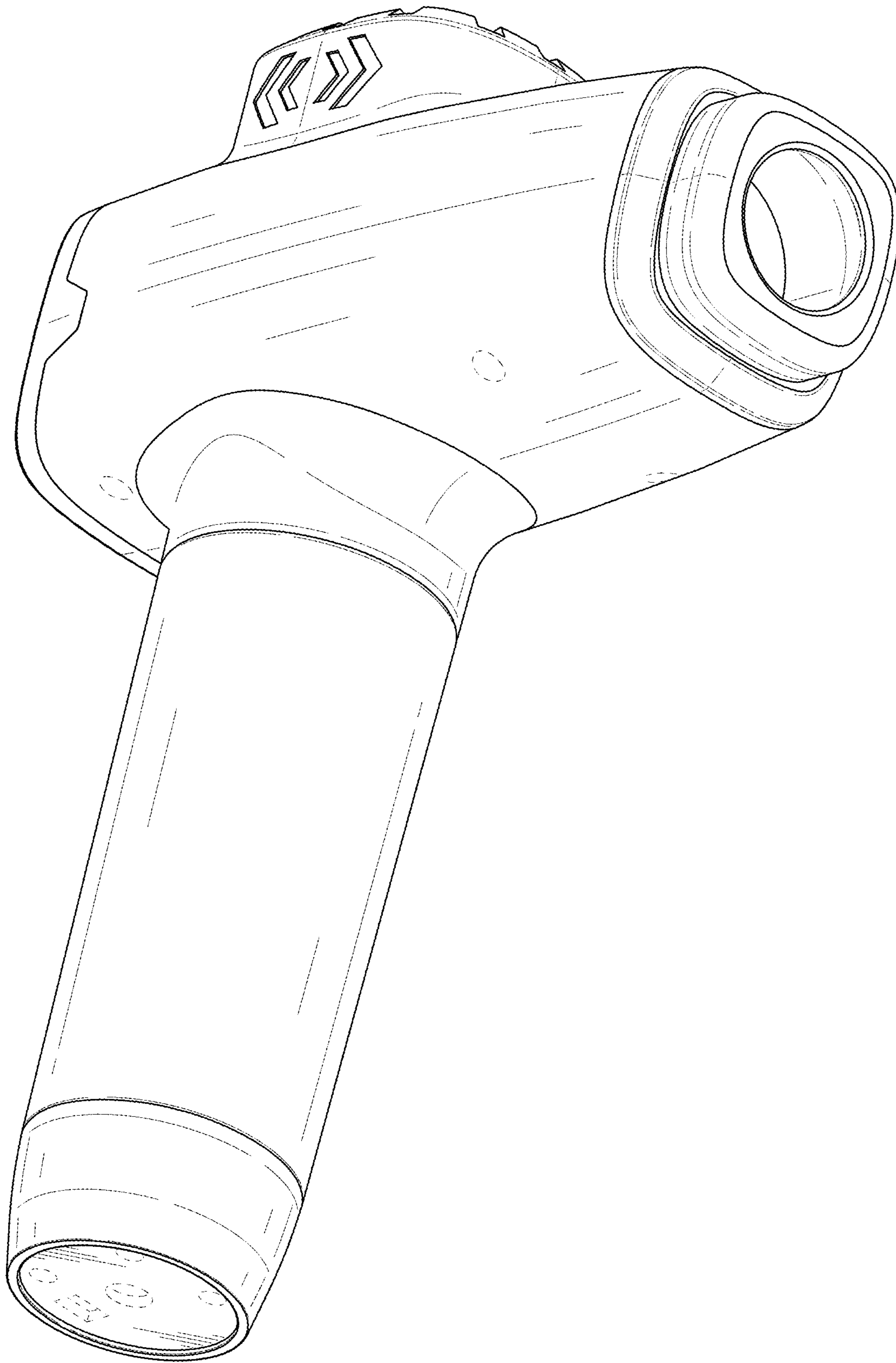


FIG. 1

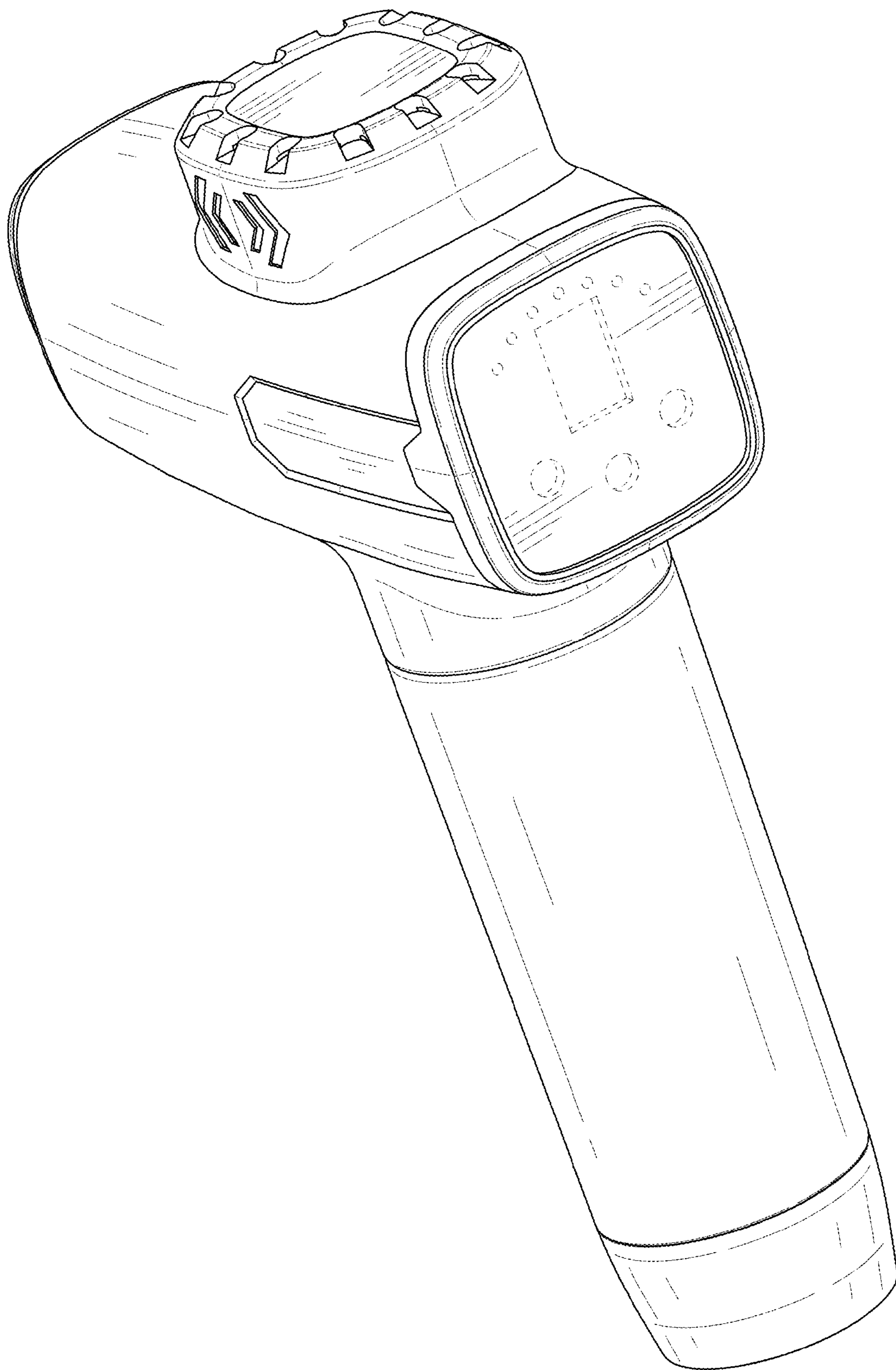


FIG. 2

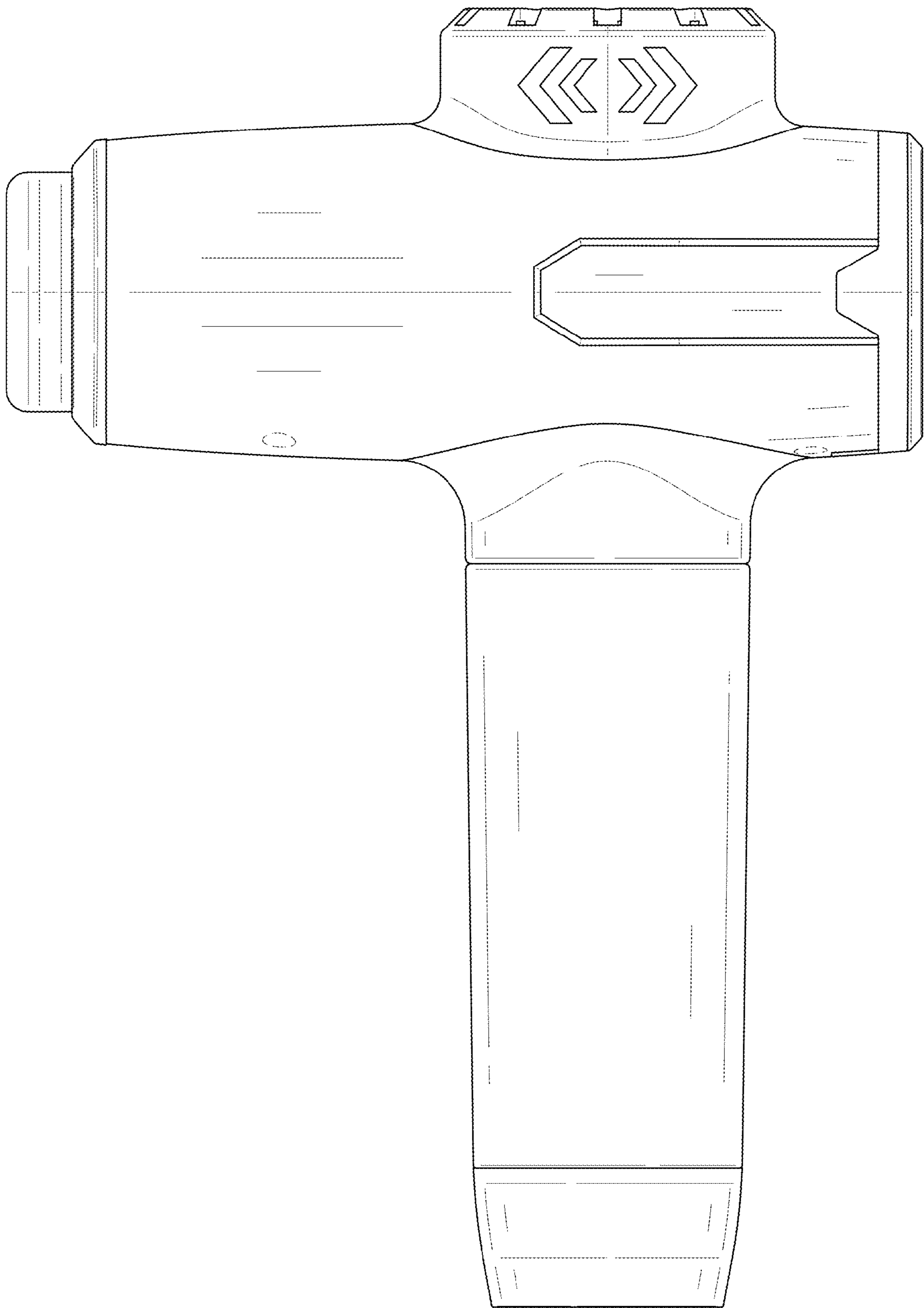


FIG. 3

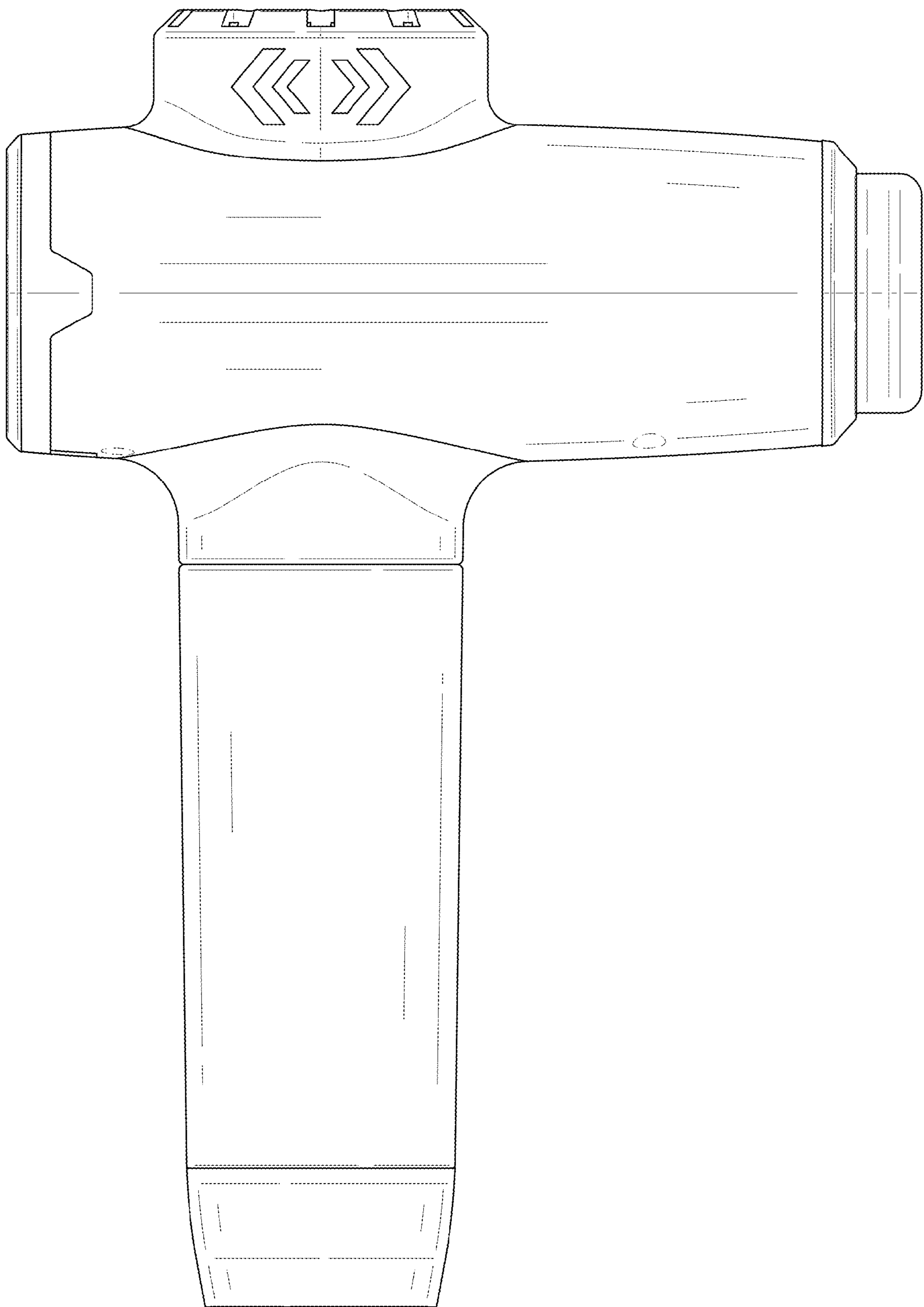


FIG. 4

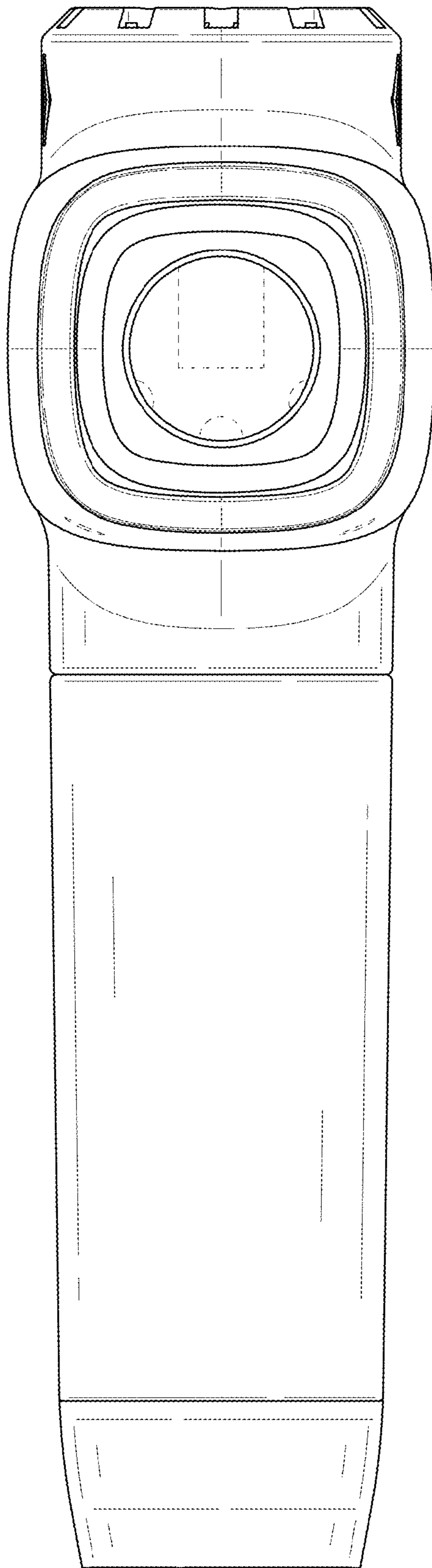


FIG. 5

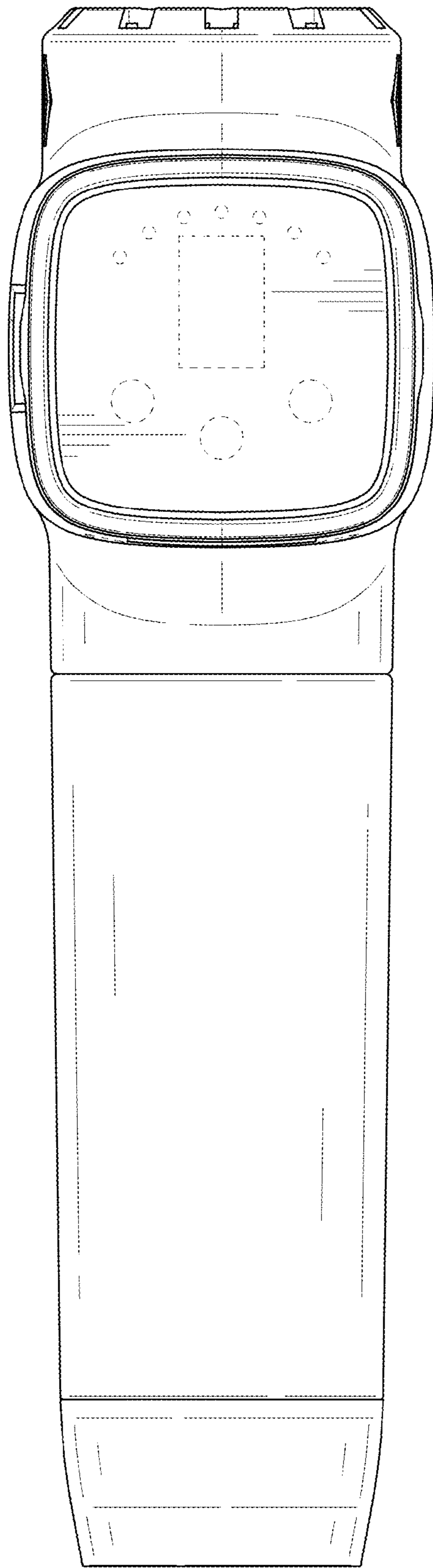


FIG. 6

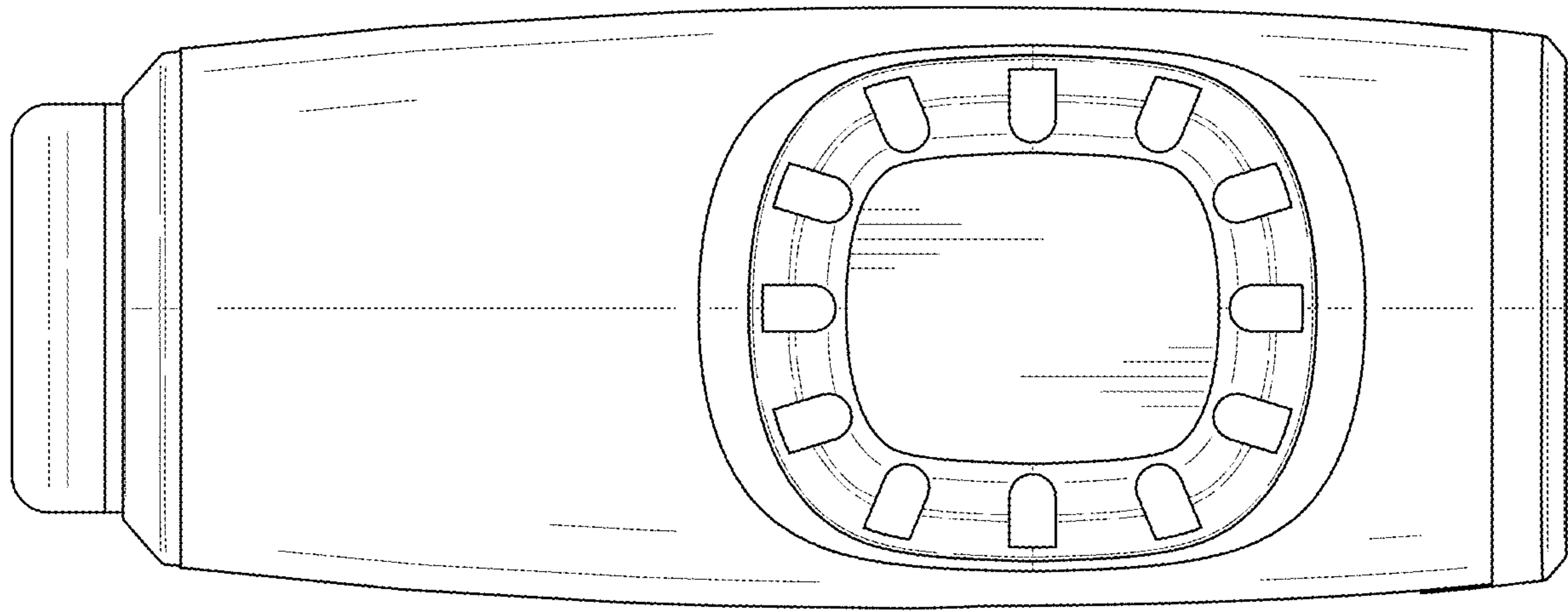


FIG. 7



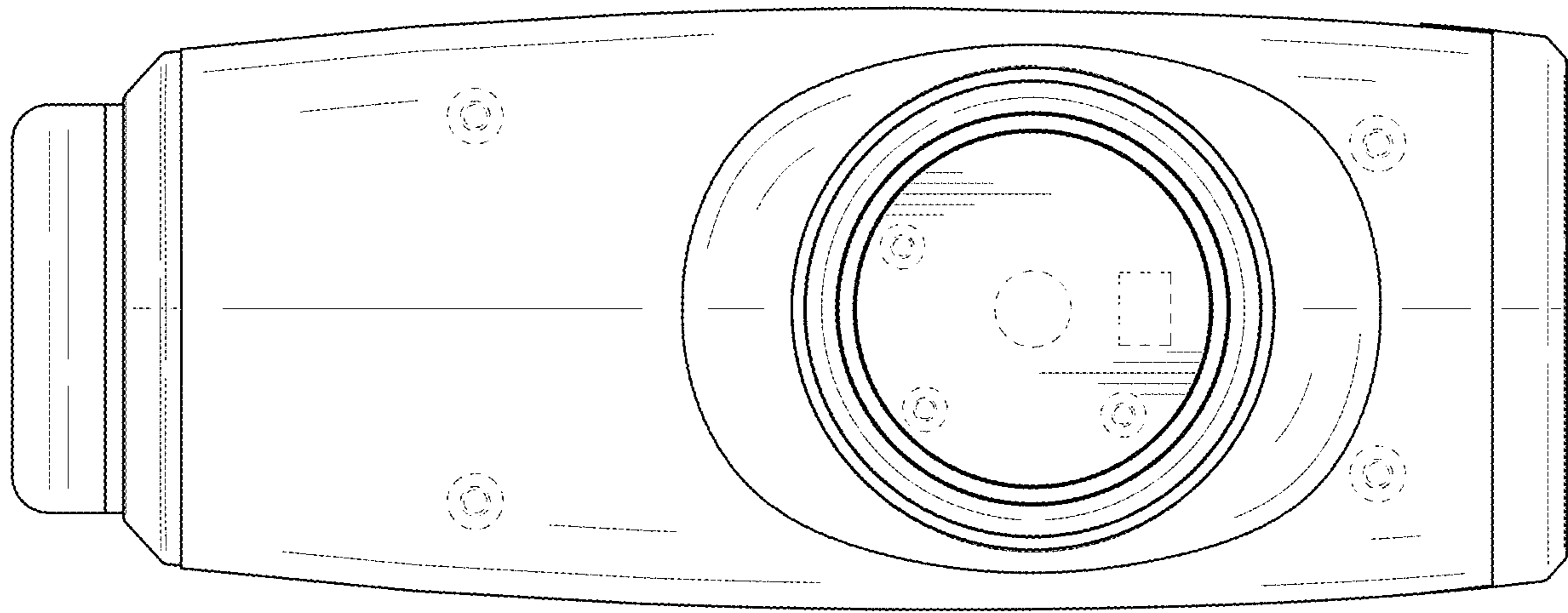


FIG. 8