



US00D983389S

(12) **United States Design Patent**
Blondek et al.

(10) **Patent No.:** **US D983,389 S**
(45) **Date of Patent:** **** Apr. 11, 2023**

(54) **SKIN ANALYSIS DEVICE**

(71) Applicant: **IIAA LIMITED**, Borehamwood (GB)

(72) Inventors: **Alex Blondek**, Middlesex (GB); **Daniel Richard Walmsley**, Middlesex (GB); **Gary David Ross**, Middlesex (GB); **Jeremy Frank Saunders**, Middlesex (GB); **Richard Kier Bebbington**, Middlesex (GB)

(73) Assignee: **IIAA LIMITED**, Middlesex (GB)

(**) Term: **15 Years**

(21) Appl. No.: **29/750,819**

(22) Filed: **Sep. 16, 2020**

(30) **Foreign Application Priority Data**

Mar. 17, 2020 (EP) 007758198

(51) **LOC (14) Cl.** **28-03**

(52) **U.S. Cl.**
USPC **D24/210**

(58) **Field of Classification Search**
USPC D24/107, 185, 186, 209, 210, 231, 232,
D24/158, 183, 184; D10/57; D16/215

(Continued)

(56) **References Cited**

U.S. PATENT DOCUMENTS

D547,437 S * 7/2007 Asai D24/107
D548,326 S * 8/2007 Asai D24/107

(Continued)

Primary Examiner — Anhdao Doan

(74) *Attorney, Agent, or Firm* — Hahn Loeser & Parks
LLP; John J. Cunniff

(57) **CLAIM**

The ornamental design for a skin analysis device, as shown and described.

DESCRIPTION

FIG. 1 is a right side view of an embodiment of a skin analysis device in a first environment in a horizontal orien-

tation with the movable shroud removed and not shown, according to the inventors, with the left side view being a mirror image thereof;

FIG. 2 is a right side view of the embodiment in the first environment, showing the movable shroud thereof in an open position, with the left side view being a mirror image thereof;

FIG. 3 is a front view of the embodiment in the first environment, showing the movable shroud in the open position;

FIG. 4 is a right side view of the embodiment in the first environment, showing the movable shroud thereof in a closed position, with the left side view being a mirror image thereof;

FIG. 5 is a right side view of the embodiment in the first environment in a non-horizontal orientation with the movable shroud removed and not shown, with the left side view being a mirror image thereof;

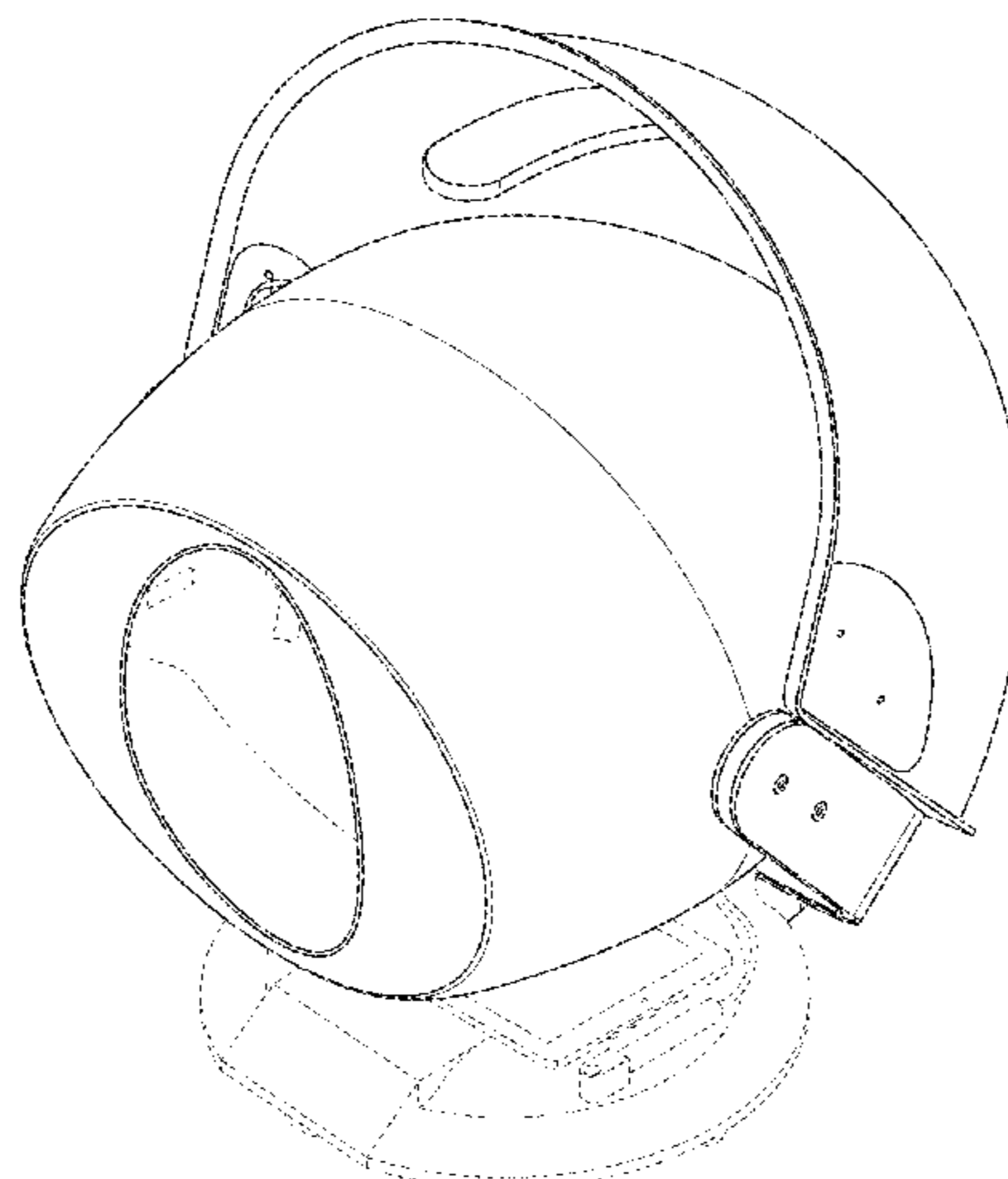
FIG. 6 is a right perspective view of the embodiment in a second environment thereof, showing the movable shroud thereof in an open position, with the left perspective view being a mirror image thereof, wherein the claimed subject matter of the left, right, front and rear views are identical to that of the embodiment in the first environment, and the claimed subject matter of the right and left perspective views of the embodiment in the first environment are identical to the claimed subject matter of the right and left perspective views of the embodiment in the second environment;

FIG. 7 is a right perspective view of the embodiment in the second environment thereof, showing the movable shroud thereof in a closed position, with the left perspective view being a mirror image thereof, wherein the claimed subject matter of the left, right, front and rear views are identical to that of the embodiment in the first environment, and the claimed subject matter of the right and left perspective views of the embodiment in the first environment are identical to the claimed subject matter of the right and left perspective views of the embodiment in the second environment;

FIG. 8 is a right perspective view of the embodiment in the second environment thereof, showing the movable shroud thereof in an open position, with the left perspective view being a mirror image thereof, wherein the left, right, front and rear views are identical to the embodiment in the first environment;

FIG. 9 is a right side view of the embodiment in the first environment in a non-horizontal orientation with the mov-

(Continued)



able shroud removed and not shown, with the left side view being a mirror image thereof;

FIG. 10 is a right perspective view of the embodiment in the second environment thereof, showing the movable shroud thereof in a closed position, with the left perspective view being a mirror image thereof, wherein the left, right, front and rear views are identical to the embodiment in the first and second environments.

FIG. 11 is a rear view of the embodiment, showing the movable shroud thereof in a closed position; and,

FIG. 12 is a rear view of the embodiment, showing the movable shroud thereof in an open position.

The broken lines shown in the Figures are for environmental purposes only and form no part of the claimed invention.

1 Claim, 12 Drawing Sheets

(58) **Field of Classification Search**

CPC ... A61B 5/0064; A61B 5/0077; A61B 5/1032;

A61B 5/441; A61B 5/70; H04N 5/2354;
H04N 5/2252

See application file for complete search history.

(56)

References Cited

U.S. PATENT DOCUMENTS

D557,403	S *	12/2007	Asai	D24/107
D590,506	S *	4/2009	Krishnan	D24/186
D735,866	S *	8/2015	Assa	D24/185
D827,827	S *	9/2018	Canfield	D24/158
D944,994	S *	3/2022	Salillas	D24/186
D945,627	S *	3/2022	Naude	D24/186
2004/0125996	A1 *	7/2004	Eddowes	A61B 5/6888 382/128
2012/0275668	A1 *	11/2012	Chou	A61B 5/7405 382/118
2019/0183420	A1 *	6/2019	Shenfarber	A61B 5/0079
2021/0338147	A1 *	11/2021	Blondek	A61B 5/0077

* cited by examiner

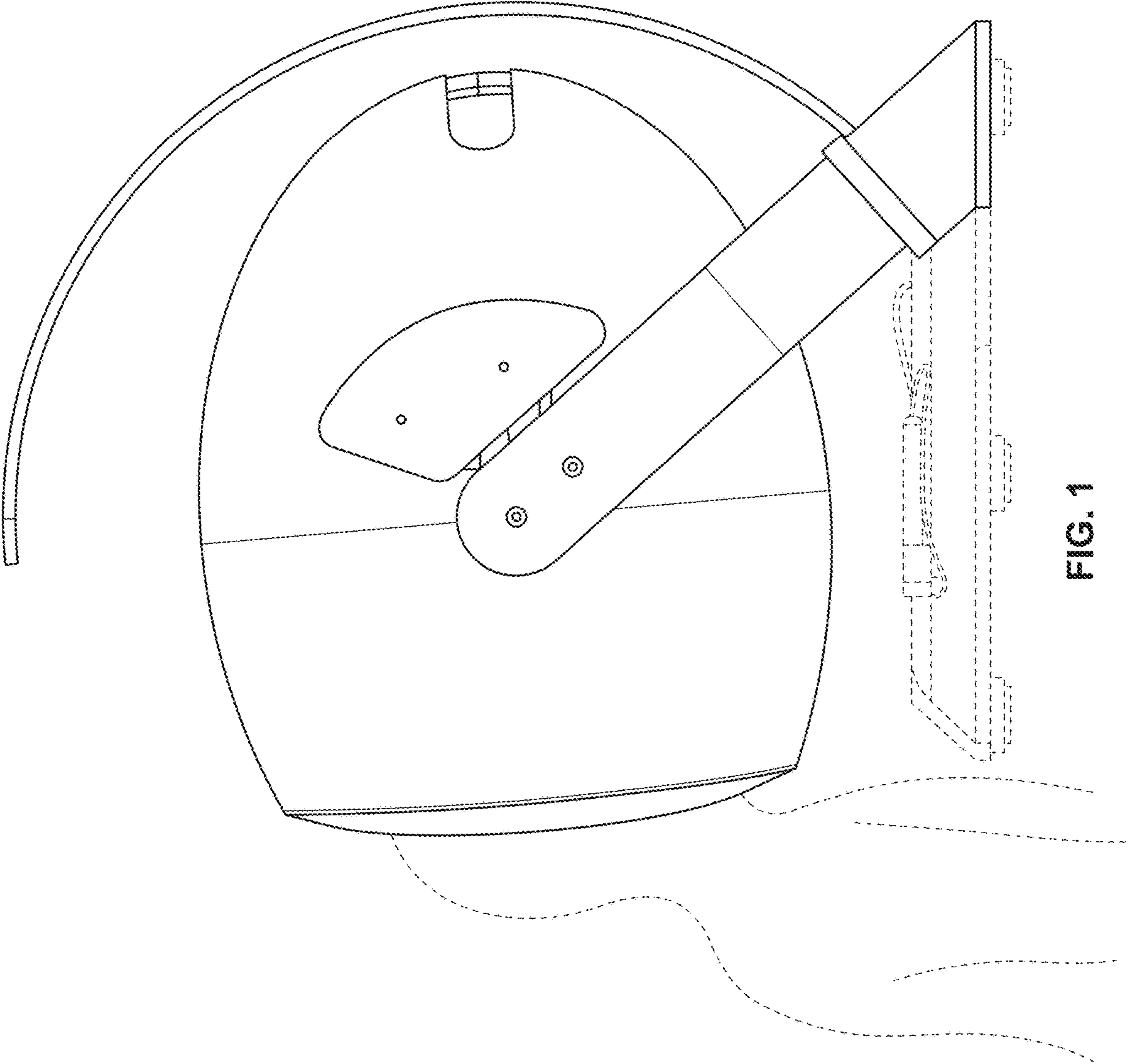


FIG. 1

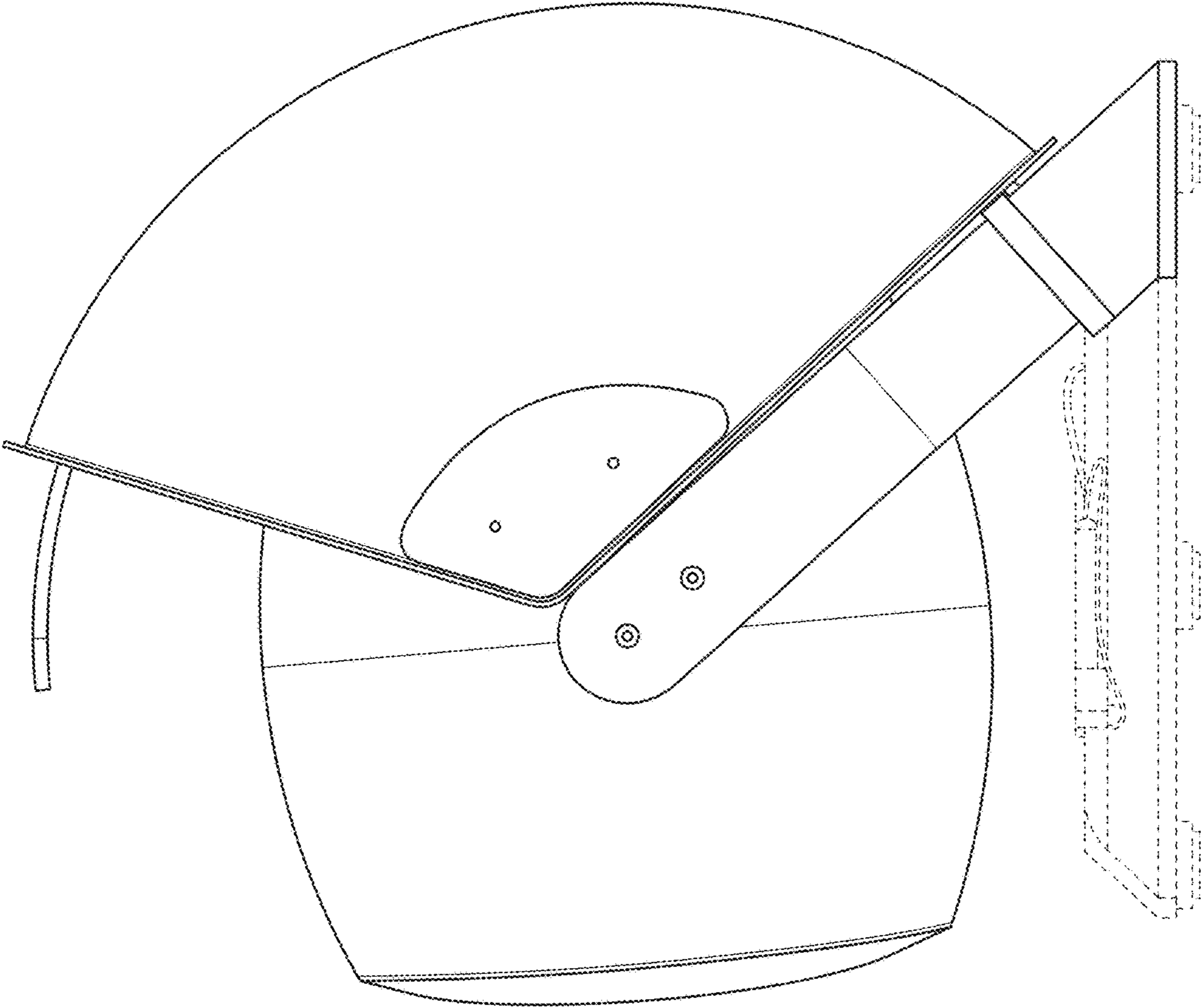


FIG. 2

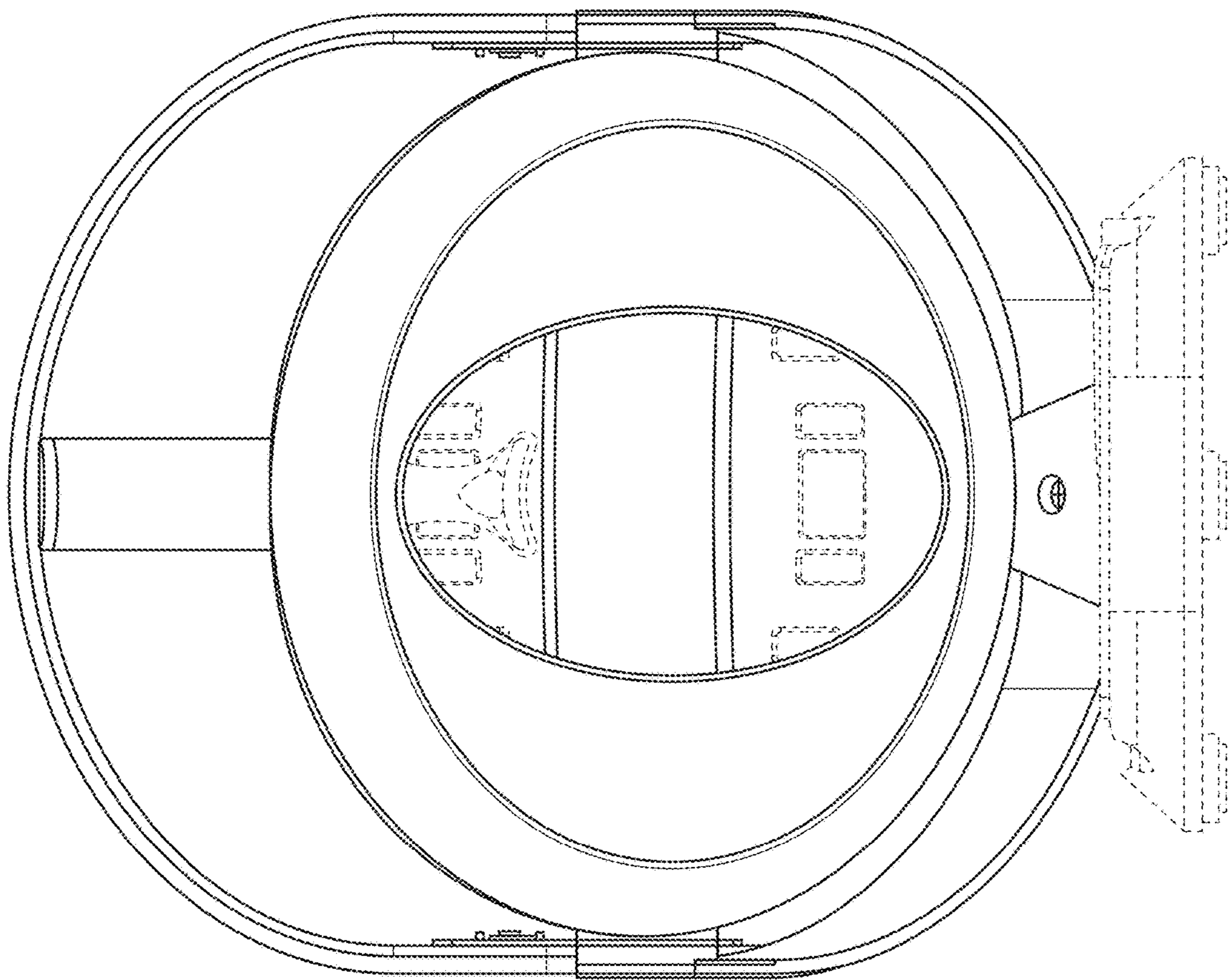


FIG. 3

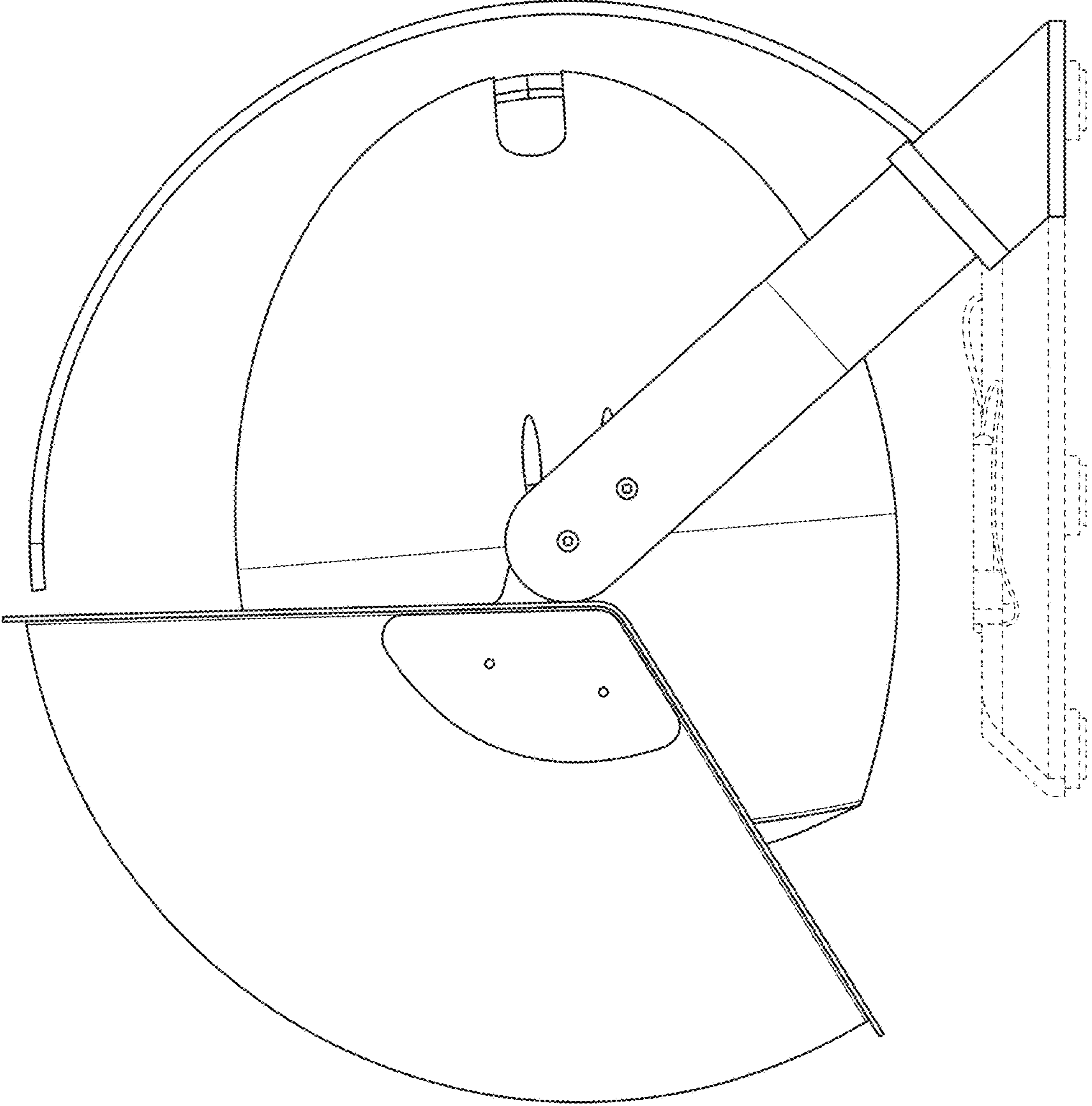


FIG. 4

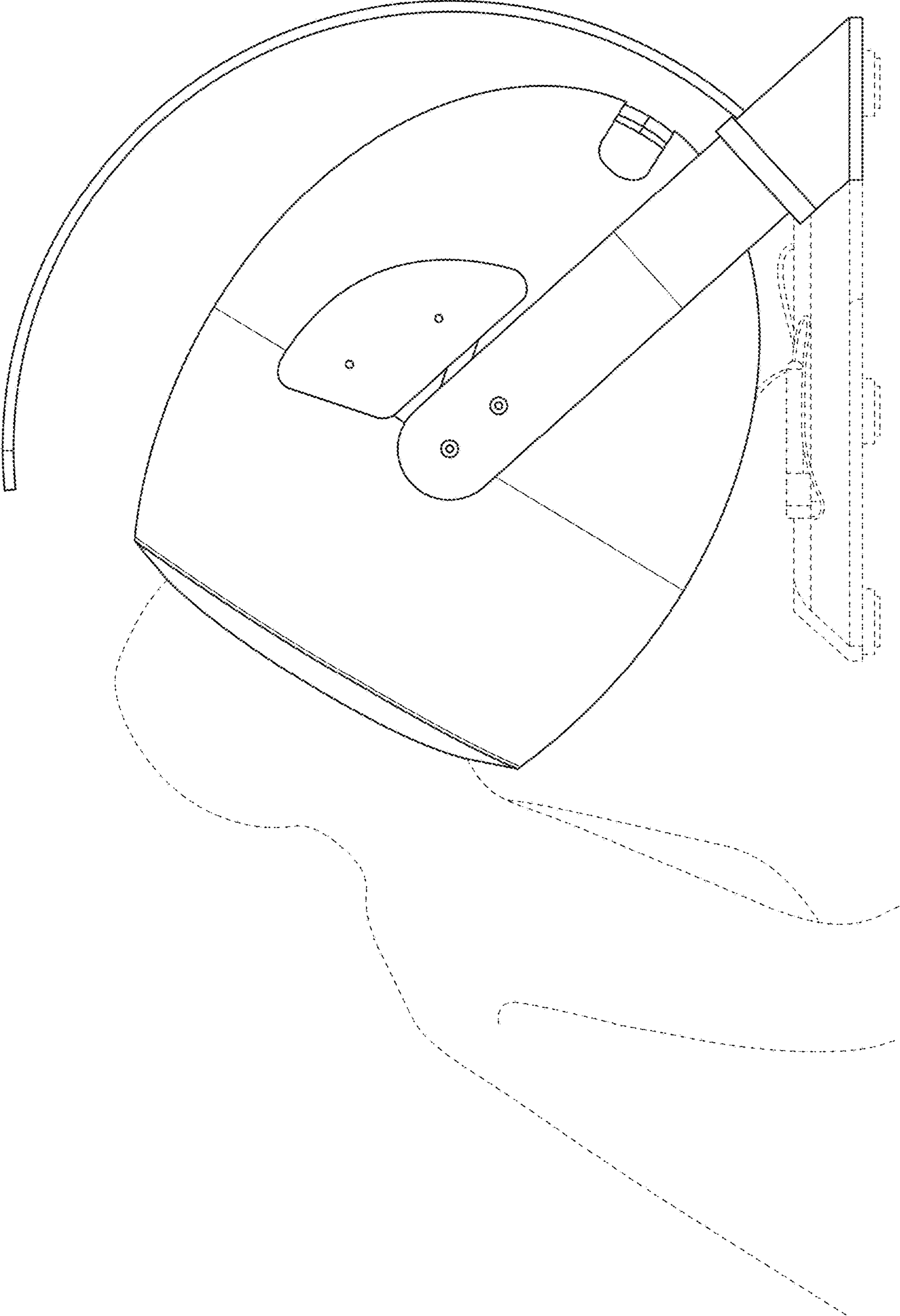


FIG. 5

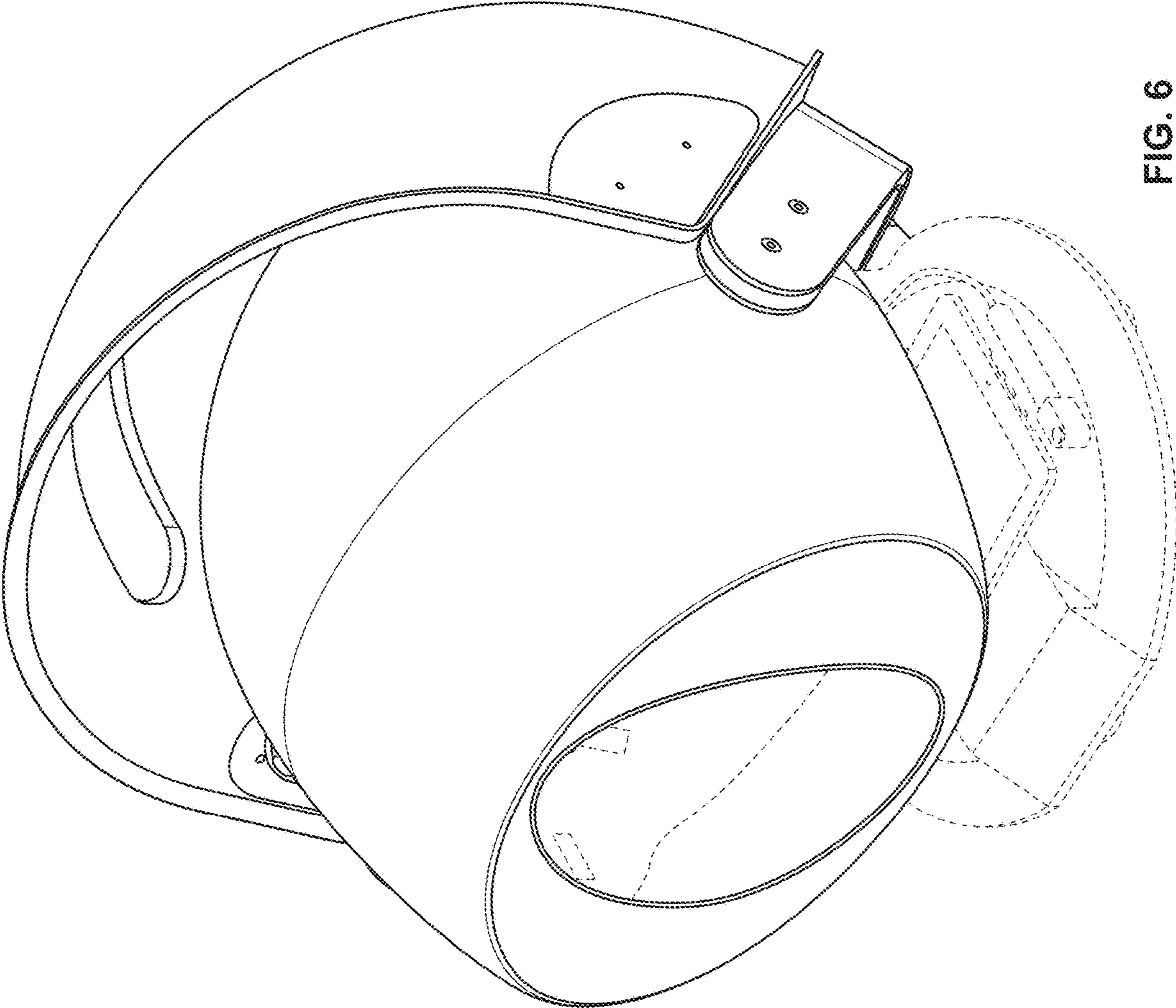


FIG. 6

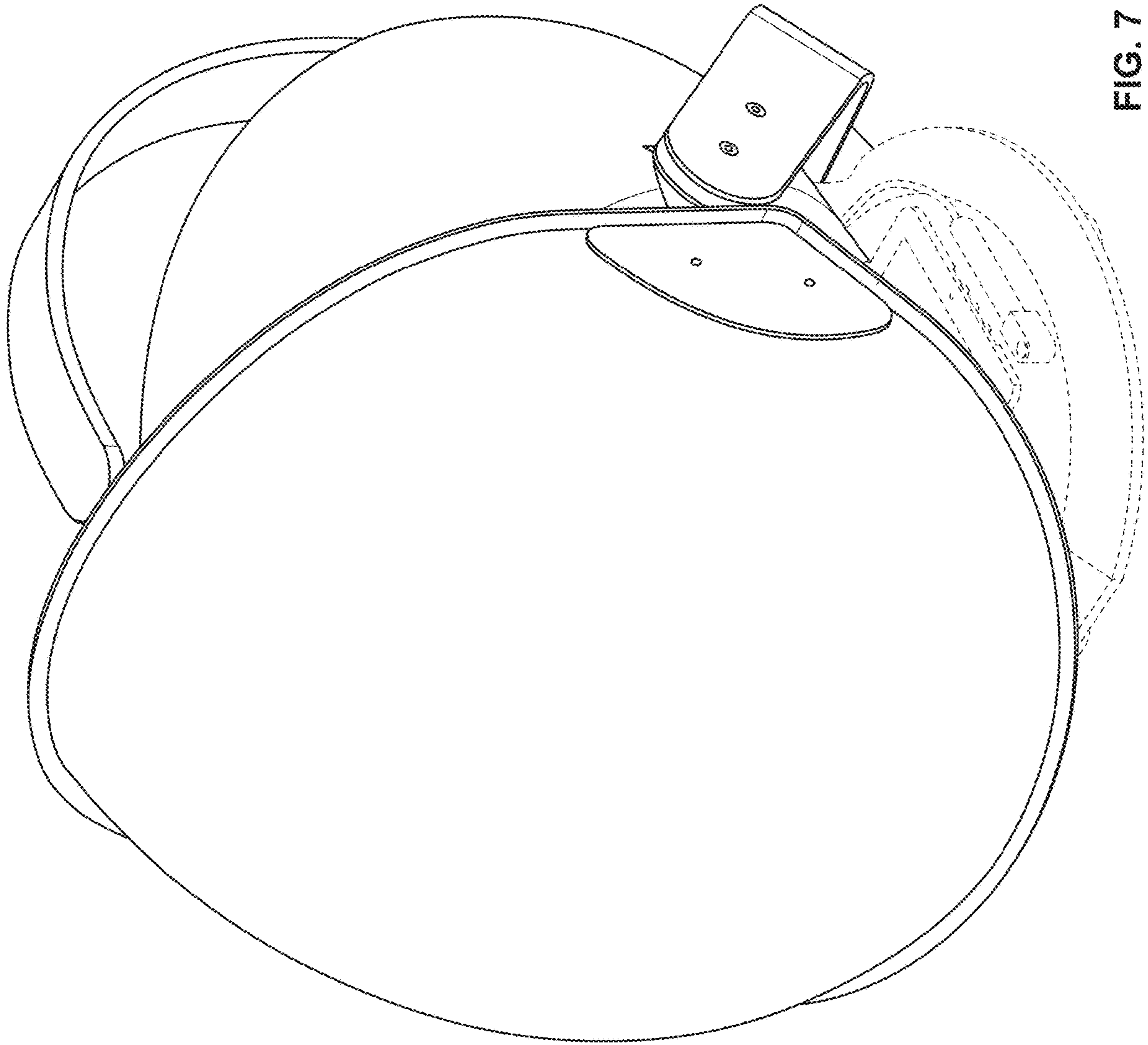


FIG. 7

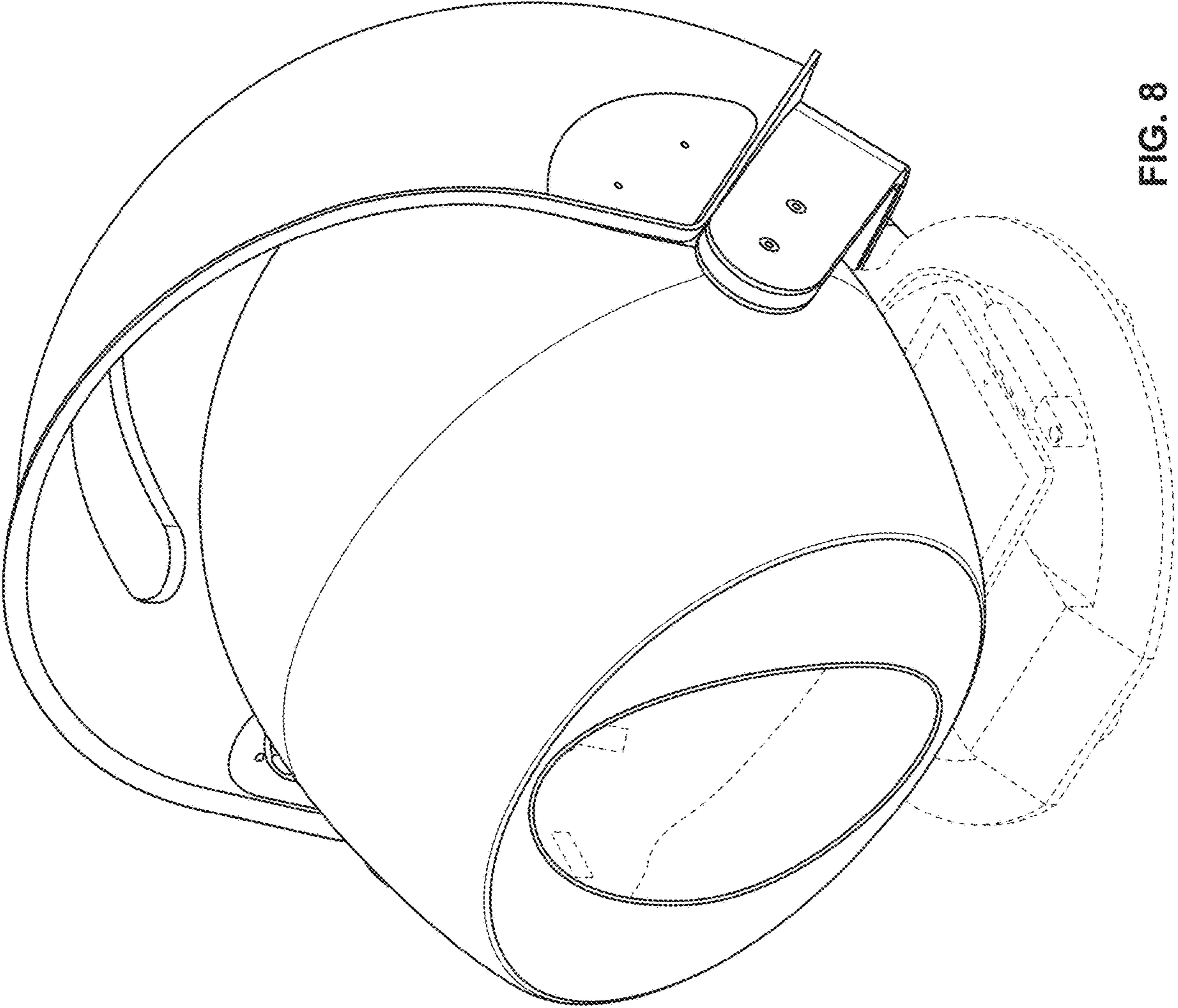


FIG. 8

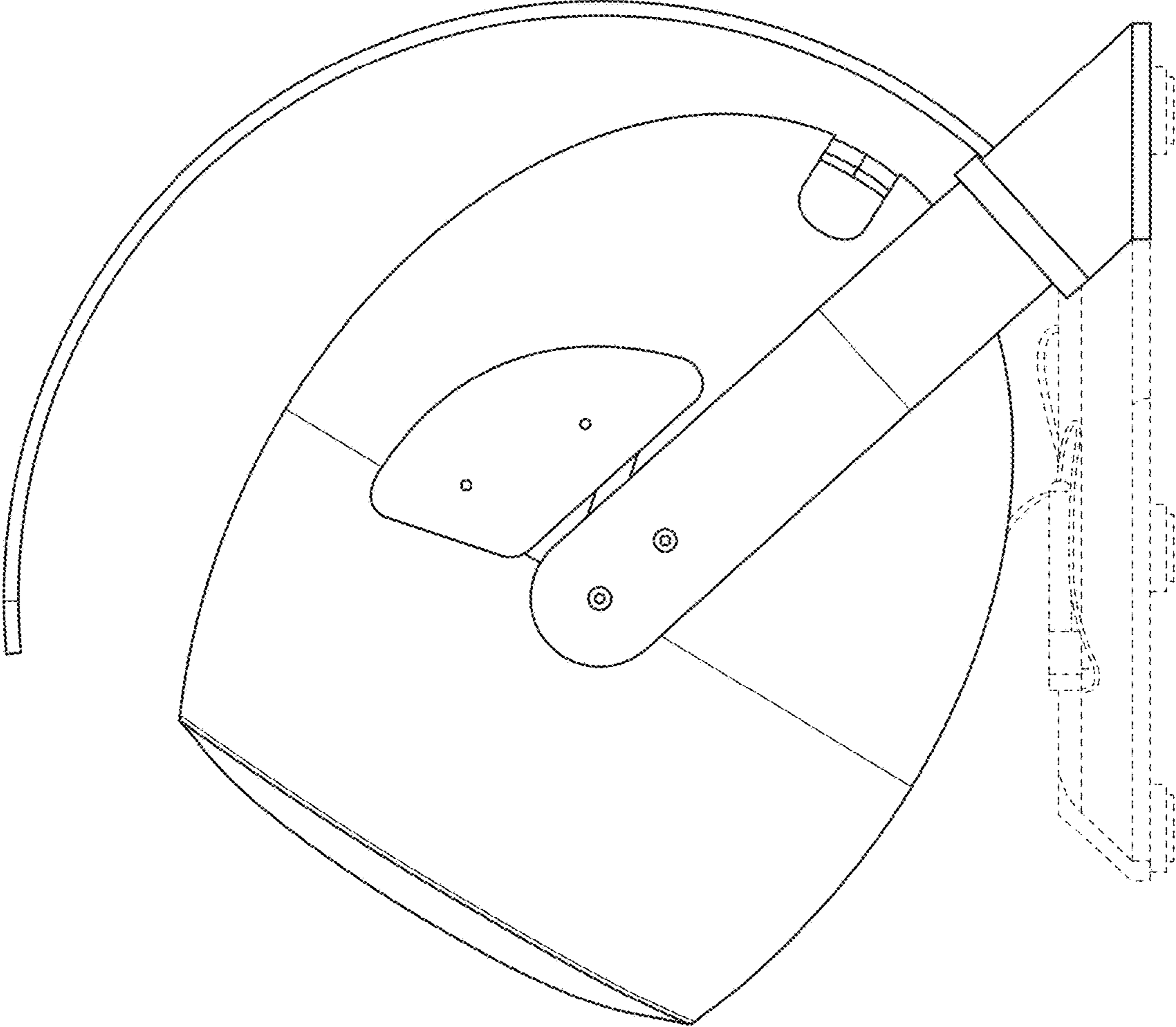


FIG. 9

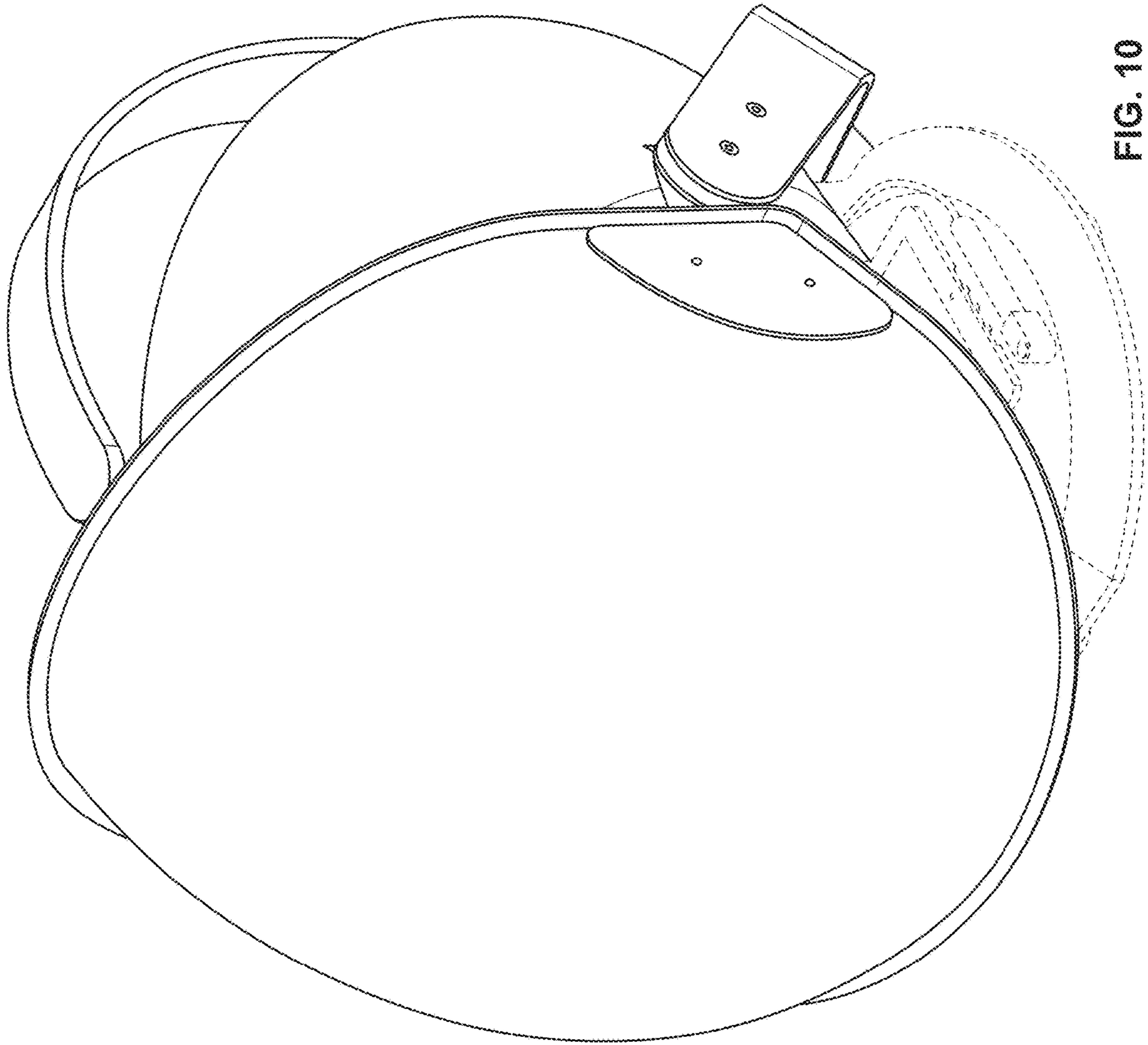


FIG. 10

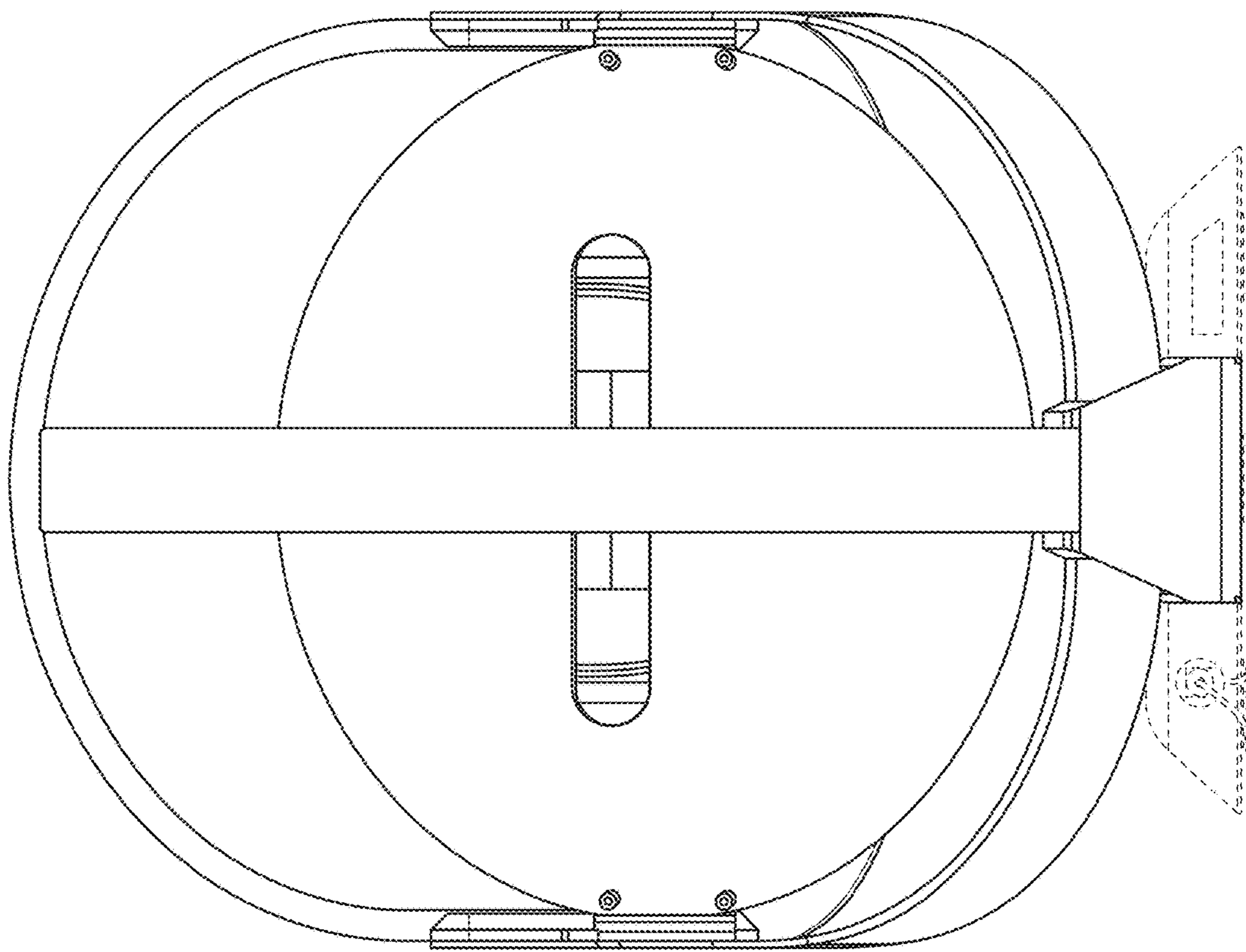


FIG. 11

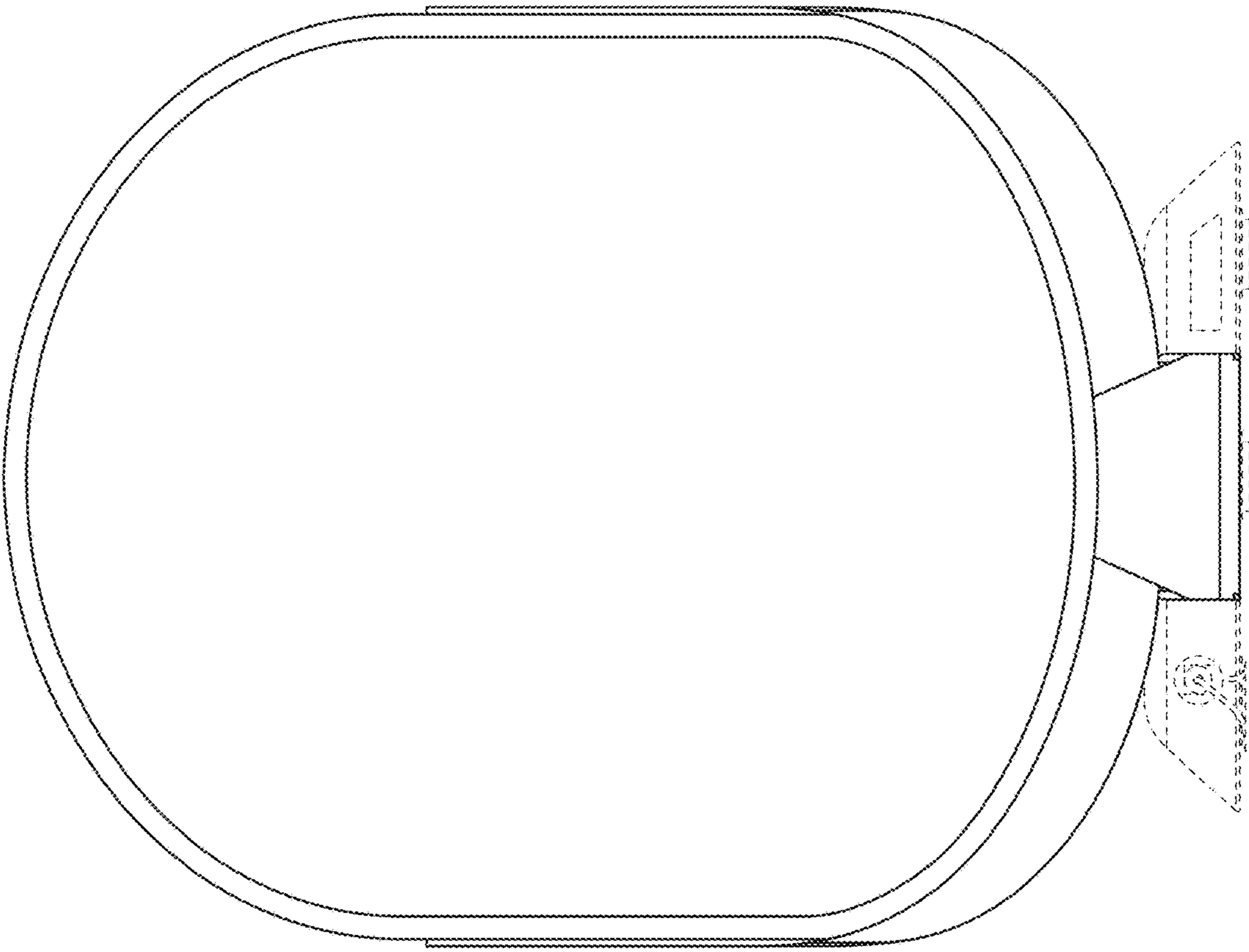


FIG. 12