



US00D983388S

(12) **United States Design Patent**  
**Liu**

(10) **Patent No.:** **US D983,388 S**  
(45) **Date of Patent:** **\*\* Apr. 11, 2023**

- (54) **WAX HEATER**
- (71) Applicant: **Guangzhou Fourto Sanitary Products Co., LTD., Guangdong (CN)**
- (72) Inventor: **Ziyi Liu, Guangdong (CN)**
- (73) Assignee: **Guangzhou Fourto Sanitary Products Co., Ltd., Guangzhou (CN)**
- (\*\*) Term: **15 Years**
- (21) Appl. No.: **29/803,554**
- (22) Filed: **Aug. 13, 2021**
- (51) **LOC (14) Cl.** ..... **24-01**
- (52) **U.S. Cl.**  
USPC ..... **D24/200**
- (58) **Field of Classification Search**  
USPC ..... D24/200, 204, 121; D7/323, 391, 354, D7/538, 629; D9/435, 503, 424, 428, D9/780  
CPC ..... A61F 7/00; A61F 7/007; A61F 7/0085; A61F 2007/0001; A61F 2007/0003; A61F 2007/0004; A61F 2007/0024; A61F 2007/0029; A61F 2007/0031; A61F 2007/0039; A61F 2007/0041; A61F 2007/0043; A16F 2007/0001; A16F 2007/0003; A16F 2007/0004; A16F 2007/0024; A16F 2007/0029; A16F 2007/0031; A16F 2007/0039; A16F 2007/0041; A16F 2007/0043; A47J 36/06; A61L 9/03; A61L 9/12; F27B 14/12; H05B 3/00; H05B 3/0052; A61H 33/04; A61H 2033/047  
See application file for complete search history.

- D944,408 S \* 2/2022 Zhang ..... D24/200
- D947,397 S \* 3/2022 Deng ..... D28/44.1
- D965,802 S \* 10/2022 Lin ..... D28/44.1

**OTHER PUBLICATIONS**

Wax Warmers Hair Removal Wax Heater, first available May 31, 2022, amazon.ca, [online], [site visited Dec. 2, 2022], Available from internet URL: <https://www.amazon.ca/Warmers-Electric-Unwanted-Electronic-182X182X141mm/dp/B0B2QWS29Z/> (Year: 2022).\*

New design 500ml Wax Heater Hair Removal wax machine, waxkiss.com, [online], [site visited Dec. 2, 2022], Available from internet URL: <http://www.waxkiss.com/single-pot/new-design-500ml-wax-heater-hair-removal-wax-machine.html> (Year: 2022).\*

\* cited by examiner

*Primary Examiner* — Samantha Q Lawrence

*Assistant Examiner* — Holly M Rodriguez

(57) **CLAIM**

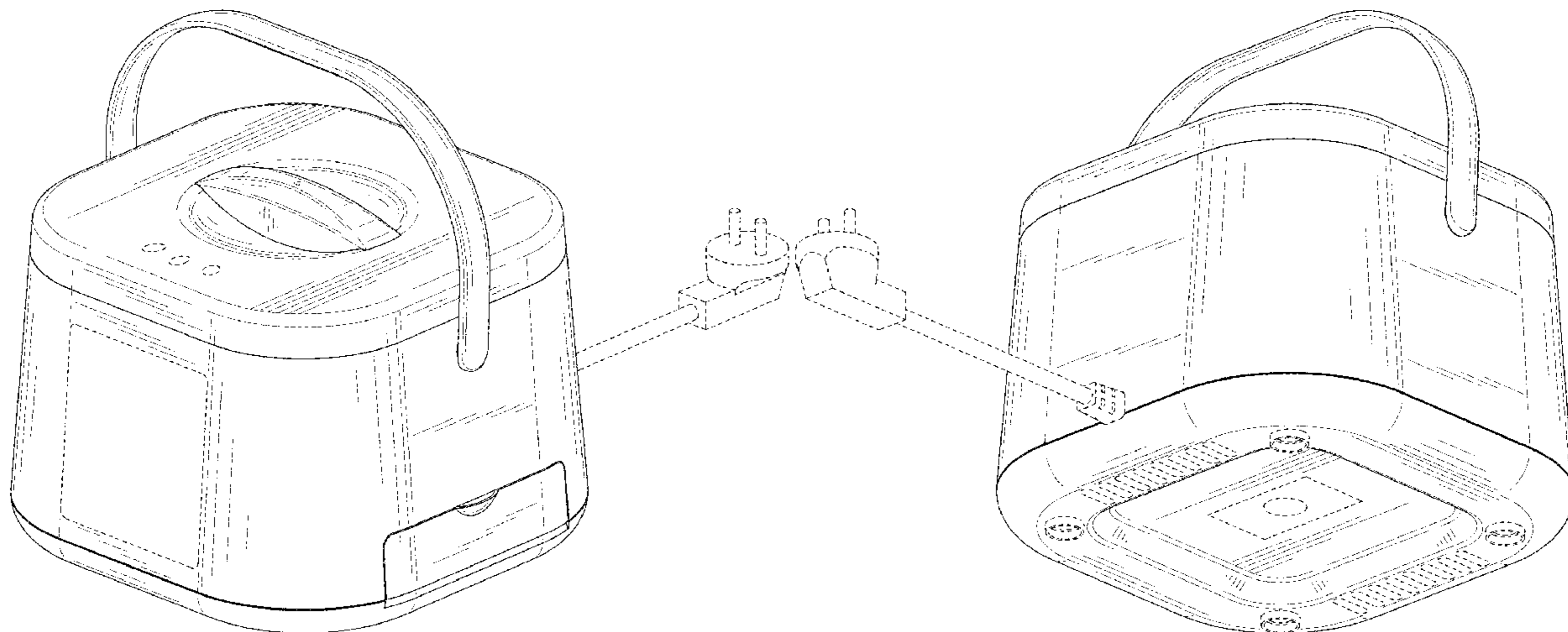
The ornamental design for a wax heater, as shown and described.

**DESCRIPTION**

FIG. 1 is a top, front and right side perspective view of a wax heater showing my new design;  
 FIG. 2 is a bottom, rear and left side perspective view thereof;  
 FIG. 3 is a bottom, front and right side perspective view thereof;  
 FIG. 4 is a front elevational view thereof;  
 FIG. 5 is a rear elevational view thereof;  
 FIG. 6 is a left side view thereof;  
 FIG. 7 is a right side view thereof;  
 FIG. 8 is a top plan view thereof;  
 FIG. 9 is a bottom plan view thereof; and,  
 FIG. 10 is an enlarged view of portion 10 in FIG. 3.  
 The broken lines in the drawings illustrate portions of the wax heater which form no part of the claimed design.

**1 Claim, 10 Drawing Sheets**

- (56) **References Cited**  
U.S. PATENT DOCUMENTS  
D914,224 S \* 3/2021 Wang ..... D24/200  
D932,641 S \* 10/2021 Mo ..... D24/200



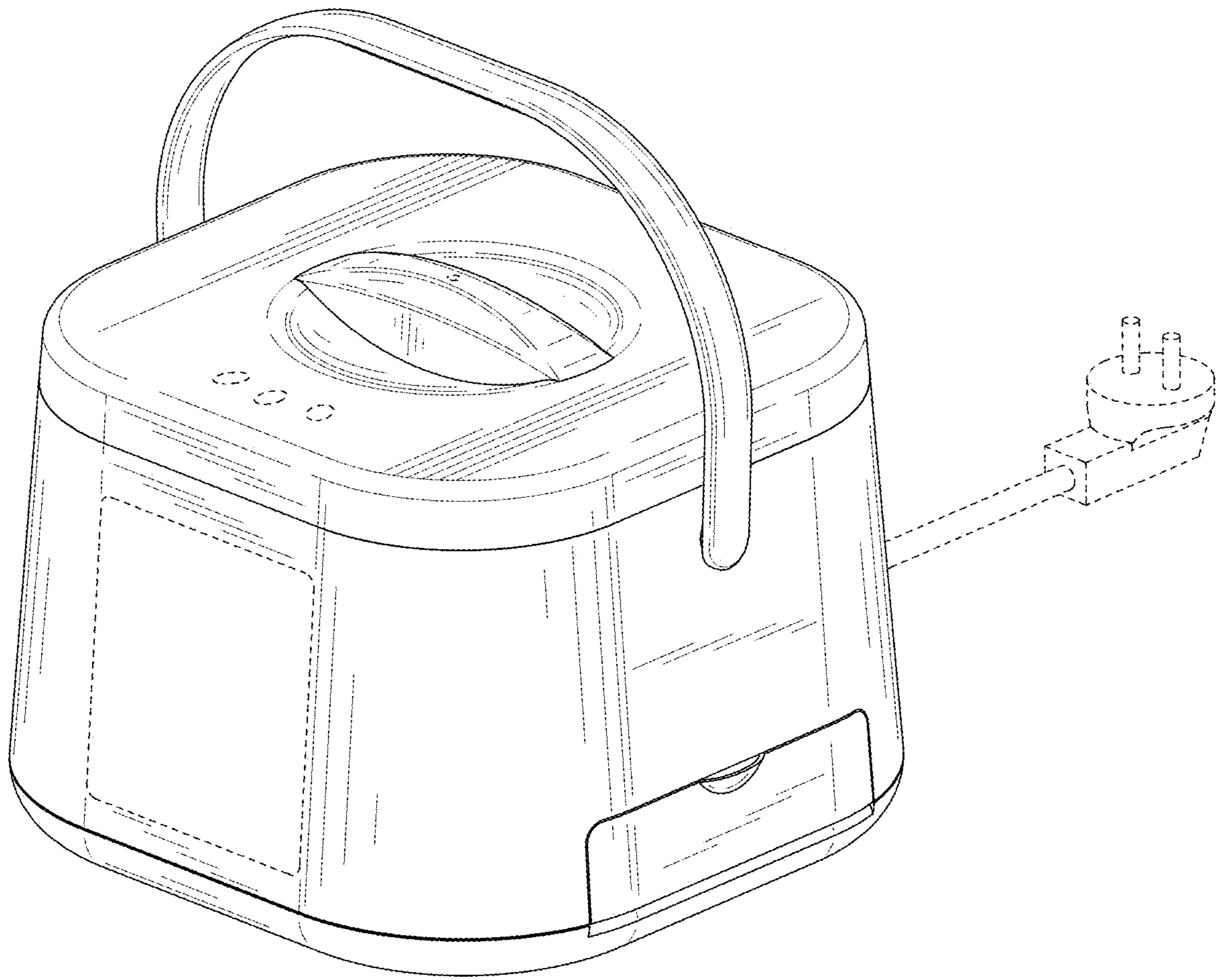


FIG. 1

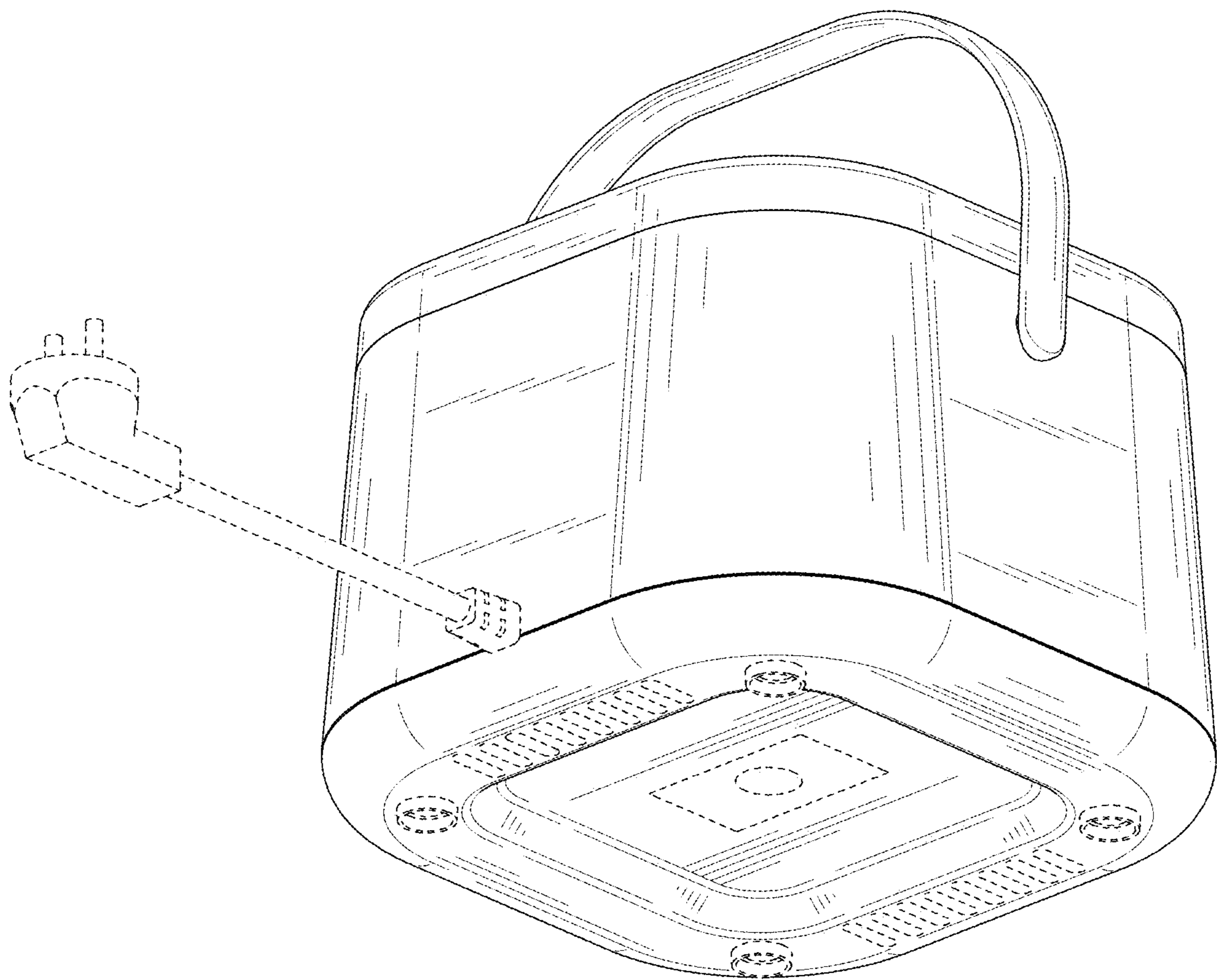


FIG. 2

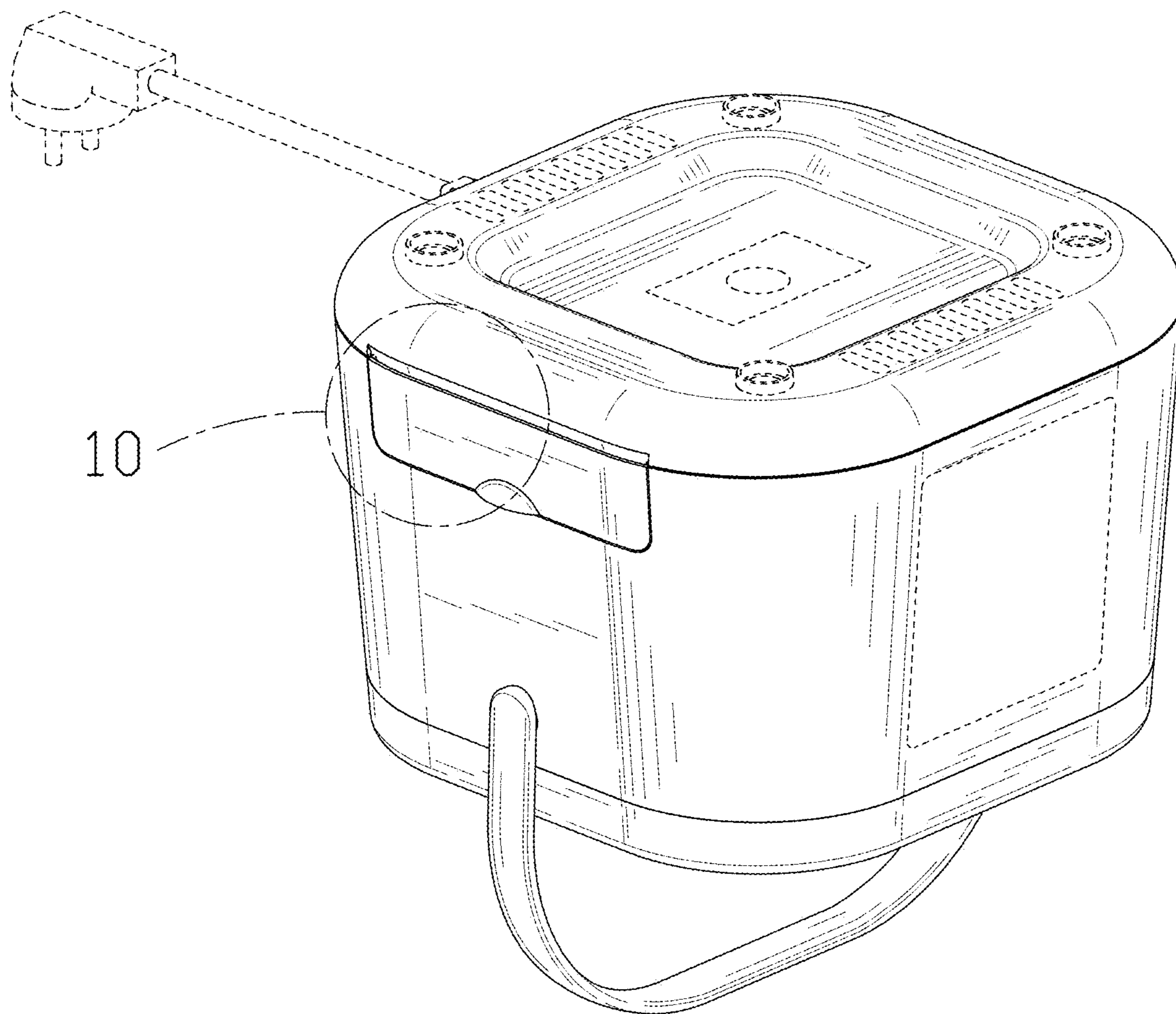


FIG. 3

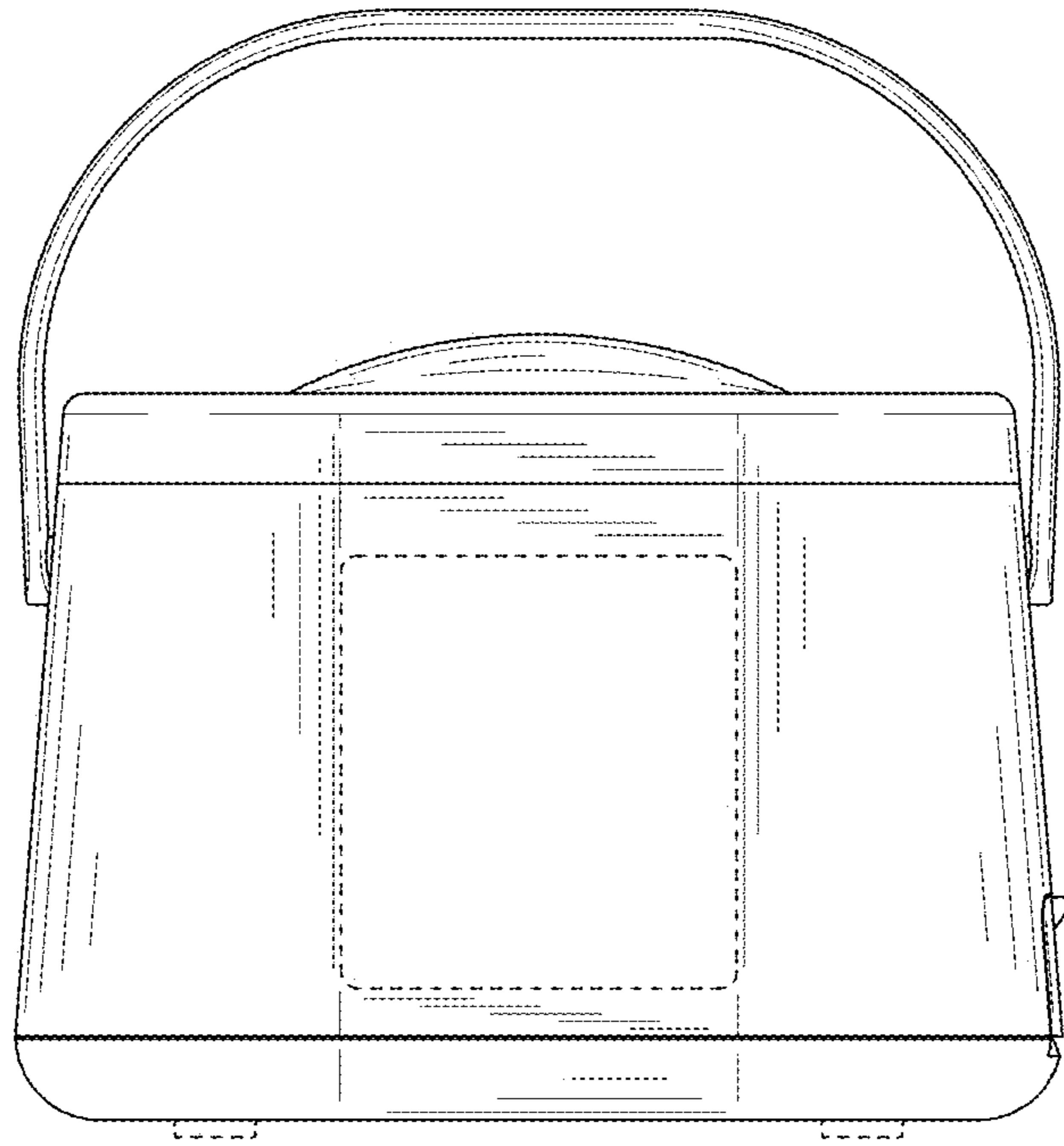


FIG. 4

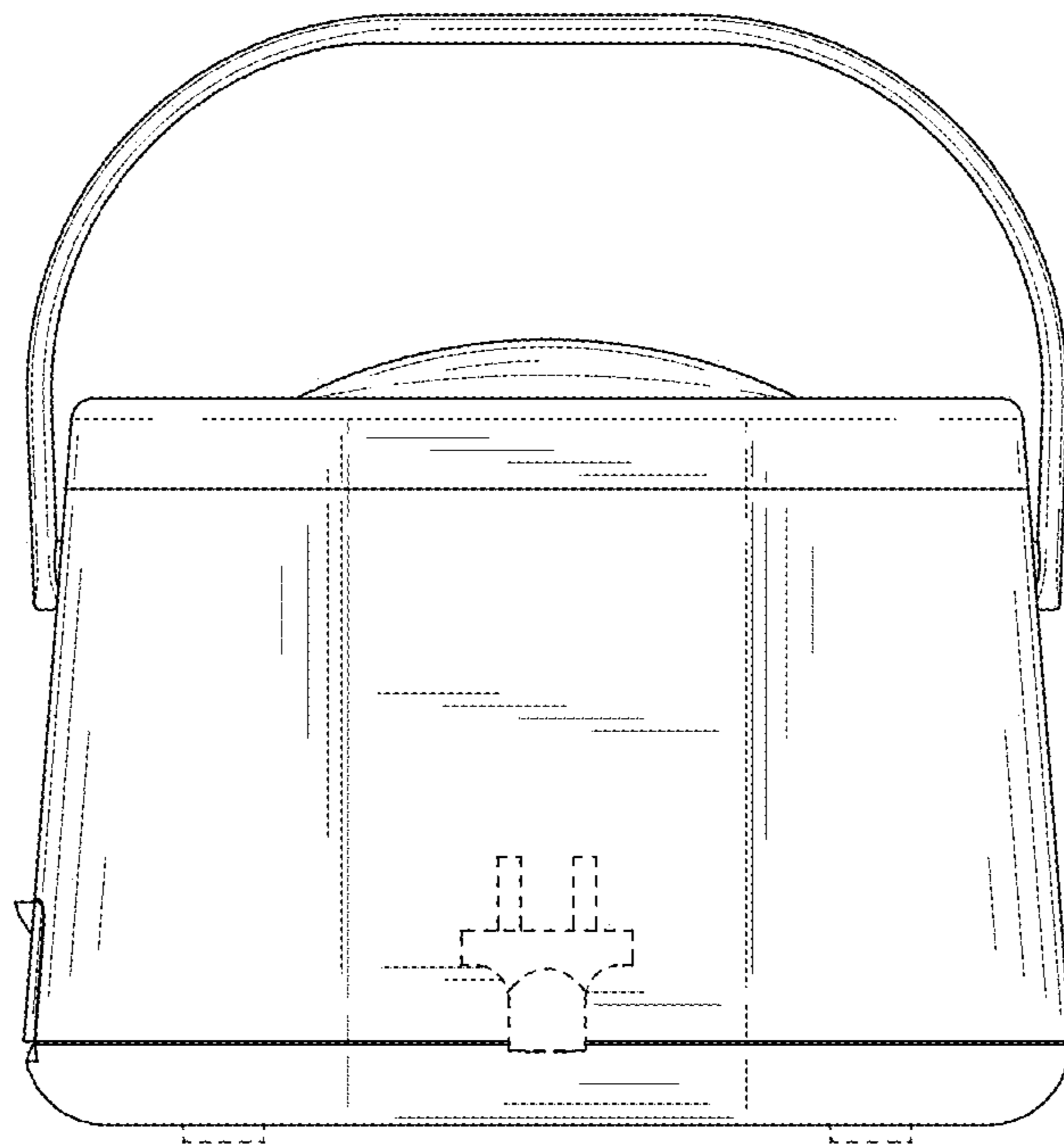


FIG. 5

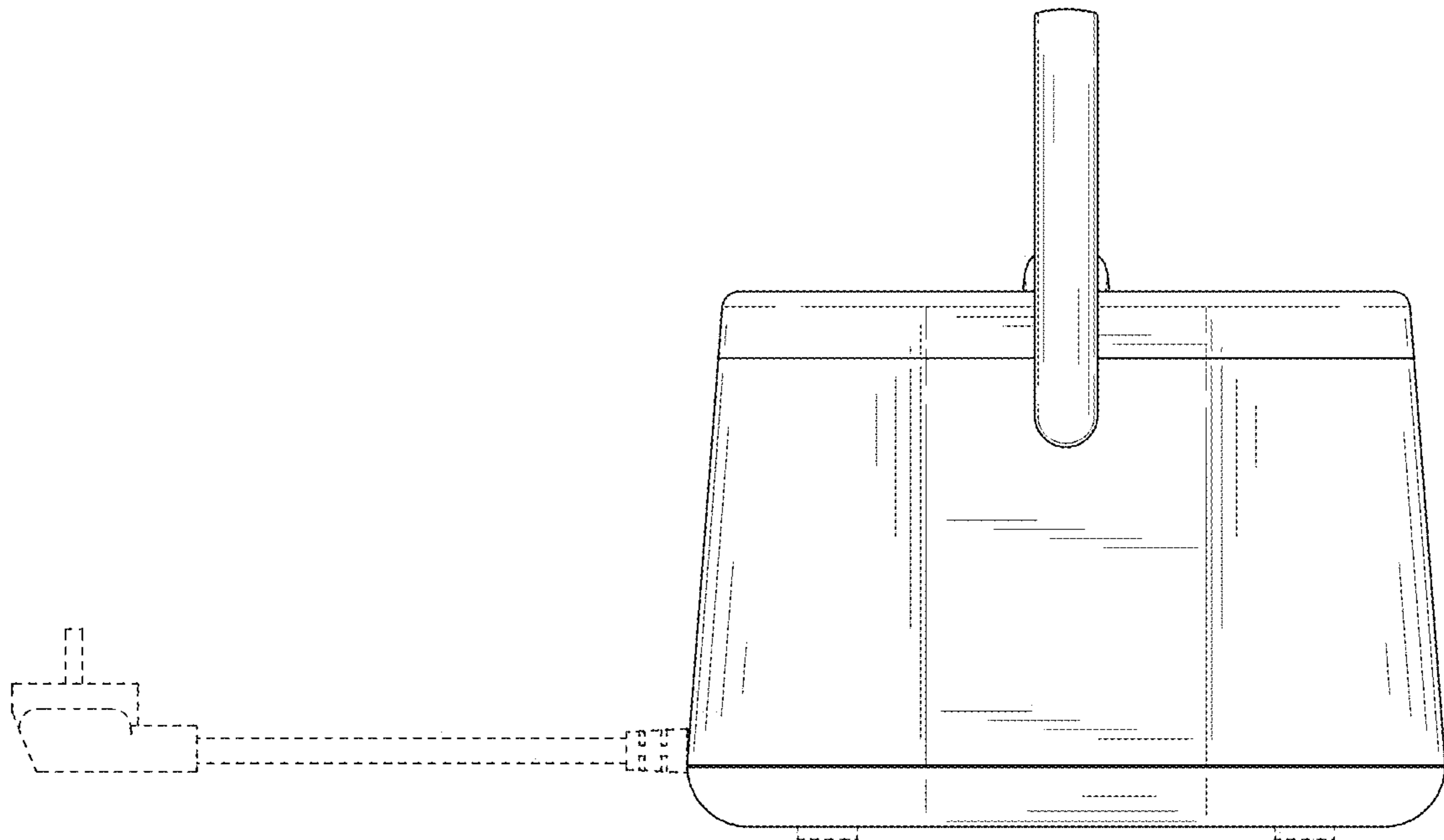


FIG. 6

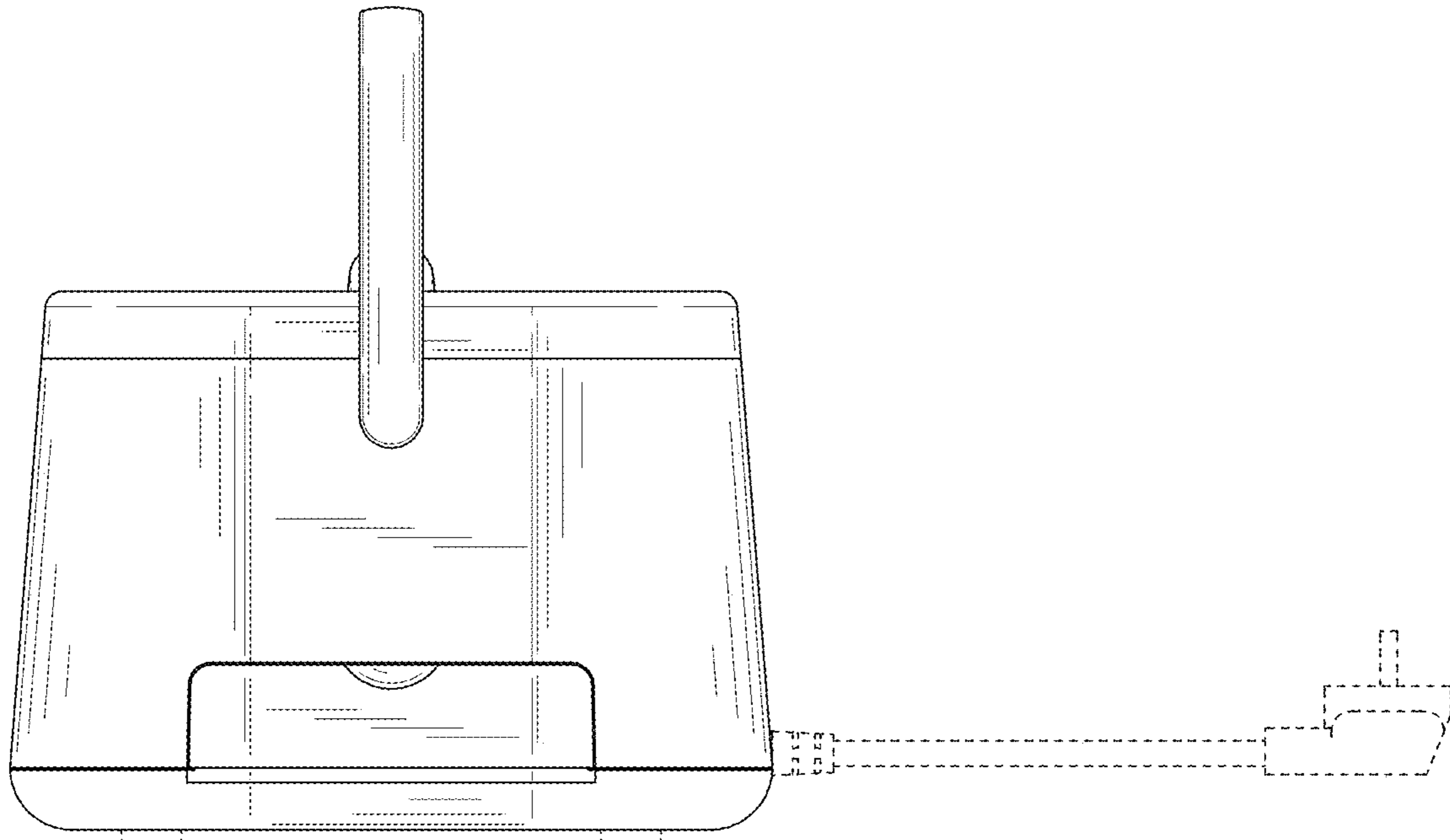


FIG. 7



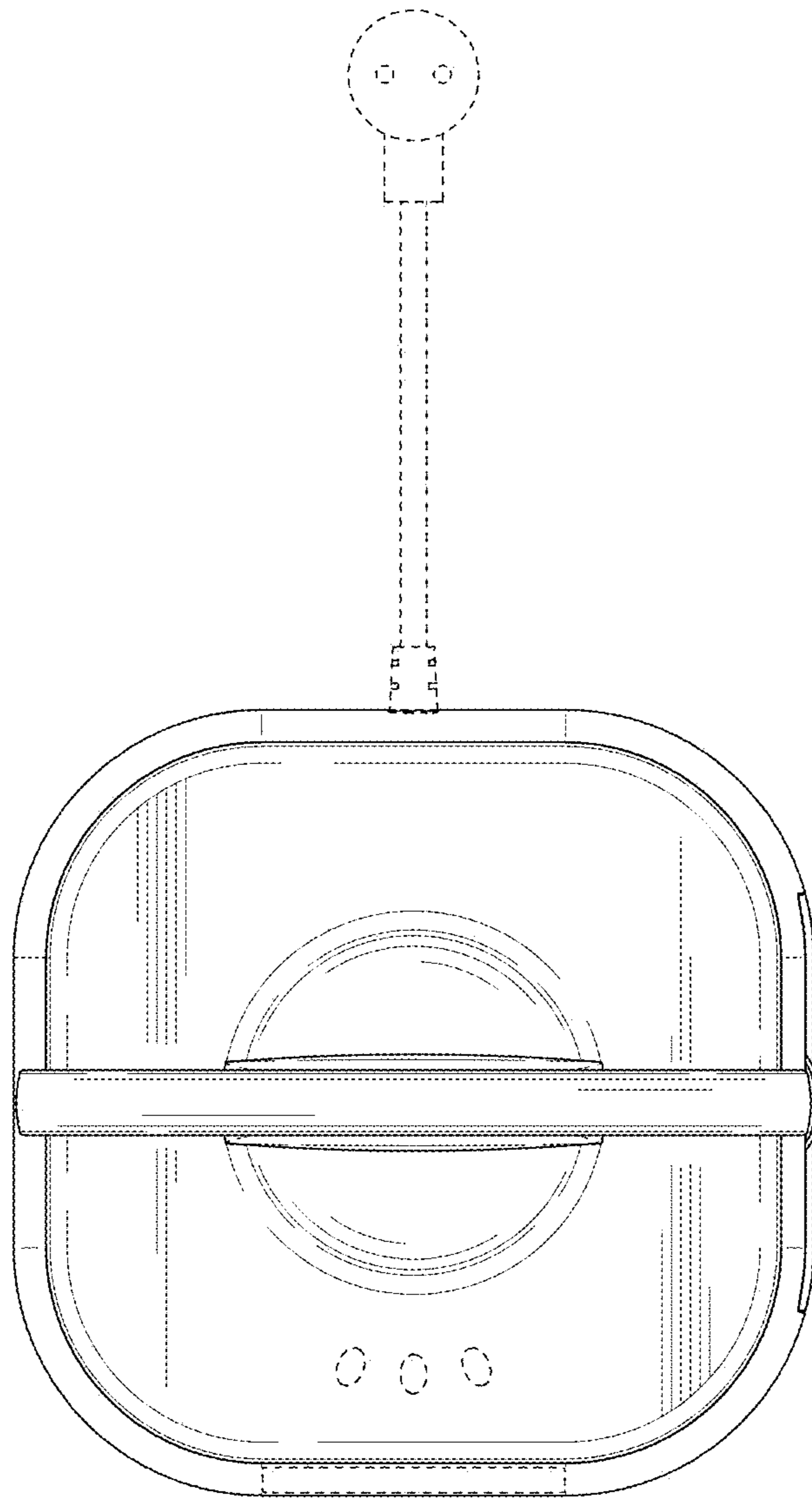


FIG. 8

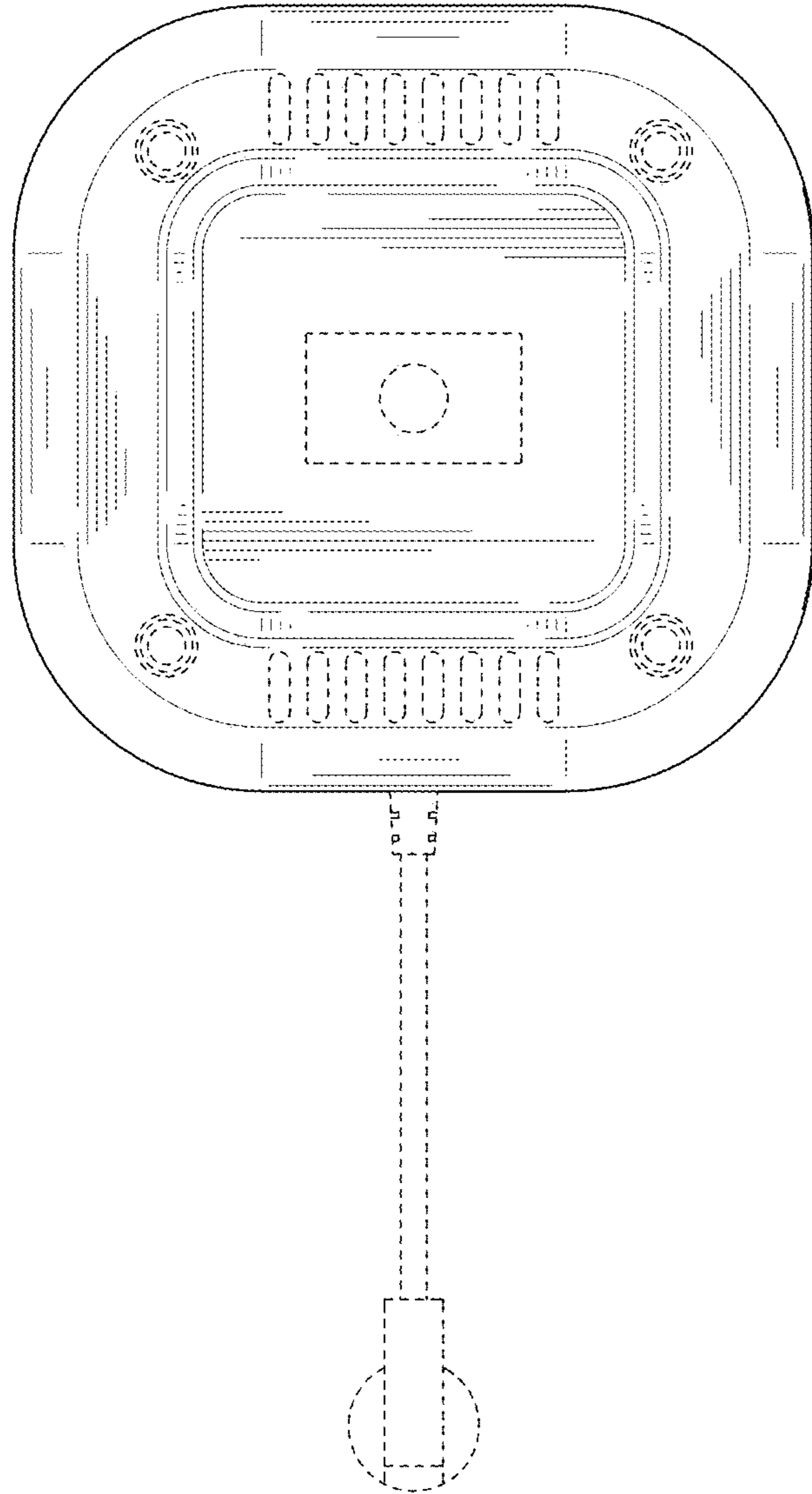


FIG. 9

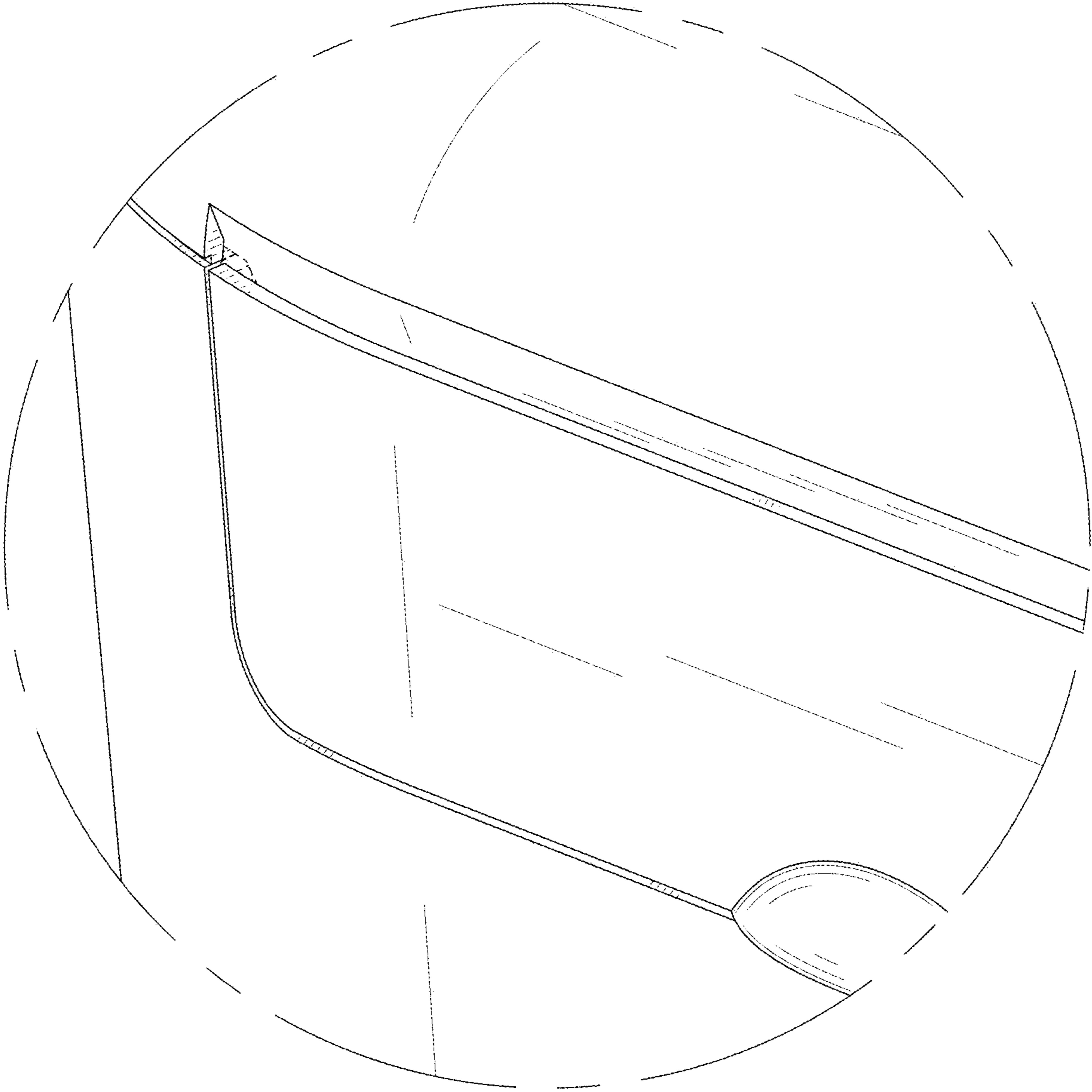


FIG. 10