



US00D983387S

(12) **United States Design Patent**  
**Barak**

(10) **Patent No.:** **US D983,387 S**

(45) **Date of Patent:** **\*\* Apr. 11, 2023**

(54) **SKIN TREATMENT DEVICE APPLICATOR**

(71) Applicants: **LUMENIS LTD**, Yokneam (IL);  
**POLLOGEN LTD.**, Tel Aviv (IL)

(72) Inventor: **Hagai Barak**, Tel Aviv Yafo (IL)

(73) Assignee: **POLLOGEN LTD.**, Tel Aviv (IL)

(\*\*) Term: **15 Years**

(21) Appl. No.: **29/781,156**

(22) Filed: **Apr. 28, 2021**

(51) **LOC (14) Cl.** ..... **24-01**

(52) **U.S. Cl.**  
USPC ..... **D24/200**

(58) **Field of Classification Search**

USPC ..... D24/200, 209–215, 186; D28/7  
CPC .. A61N 5/0613; A61N 5/0616; A61N 5/0617;  
A61N 5/062; A61N 2005/0643; A61N  
2005/0644; A61H 7/00; A61H 7/001;  
A61H 7/002; A61H 7/003; A61H 7/004;  
A61H 7/005; A61H 15/00; A61H  
15/0078; A61H 15/0085; A61H  
2005/0042; A61H 2201/1253; A61H  
23/06

See application file for complete search history.

(56) **References Cited**

U.S. PATENT DOCUMENTS

D320,279 S \* 9/1991 McQueen ..... D24/215  
D791,960 S \* 7/2017 Guanying ..... D24/209

D824,528 S \* 7/2018 Yang ..... D24/209  
D862,717 S \* 10/2019 Khubani ..... D24/200  
10,543,040 B2 \* 1/2020 Beerwerth ..... A61N 5/0617  
D880,710 S \* 4/2020 Amoyal ..... D24/209  
D898,207 S \* 10/2020 Yang ..... D24/200  
11,383,096 B2 \* 7/2022 Lim ..... A61N 5/0616  
2017/0216619 A1 \* 8/2017 Beerwerth ..... A61N 5/0617  
2020/0038530 A1 \* 2/2020 Yildirim ..... A61N 5/0616  
2020/0046999 A1 \* 2/2020 Lim ..... A61N 5/0616  
2020/0179220 A1 \* 6/2020 Jablow ..... A61H 9/0057  
2020/0179713 A1 \* 6/2020 Subhash ..... A61N 5/0616

\* cited by examiner

*Primary Examiner* — Wan Laymon

(74) *Attorney, Agent, or Firm* — ISUS Intellectual  
Property PLLC; Anthony Jason Mirabito

(57) **CLAIM**

The ornamental design for a skin treatment device applicator, as shown and described.

**DESCRIPTION**

FIG. 1 is a top perspective view of a skin treatment device application of the new design.

FIG. 2 is a front view of the new design.

FIG. 3 is a back view of the new design.

FIG. 4 is a left side view of the new design.

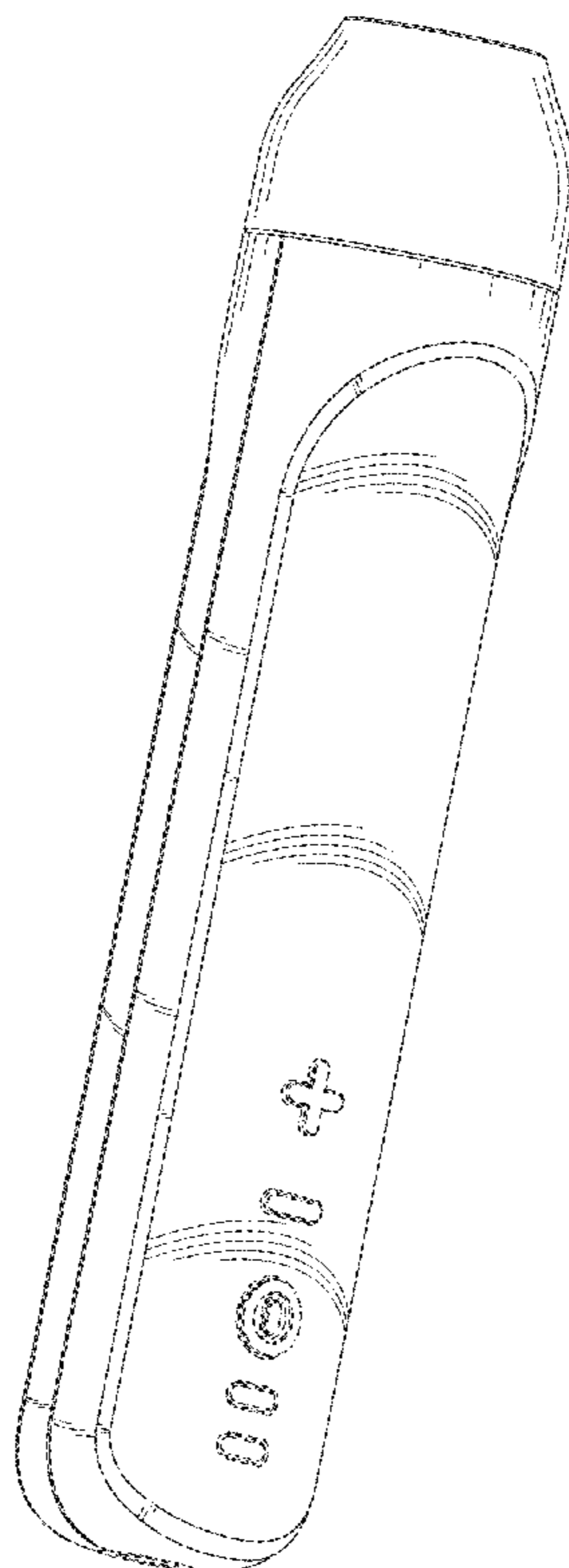
FIG. 5 is a right side view of the new design.

FIG. 6 is a top view of the new design; and,

FIG. 7 is a bottom view of the new design.

In the drawings, the broken lines depict portions of the skin treatment device application and form no part of the claimed design.

**1 Claim, 6 Drawing Sheets**



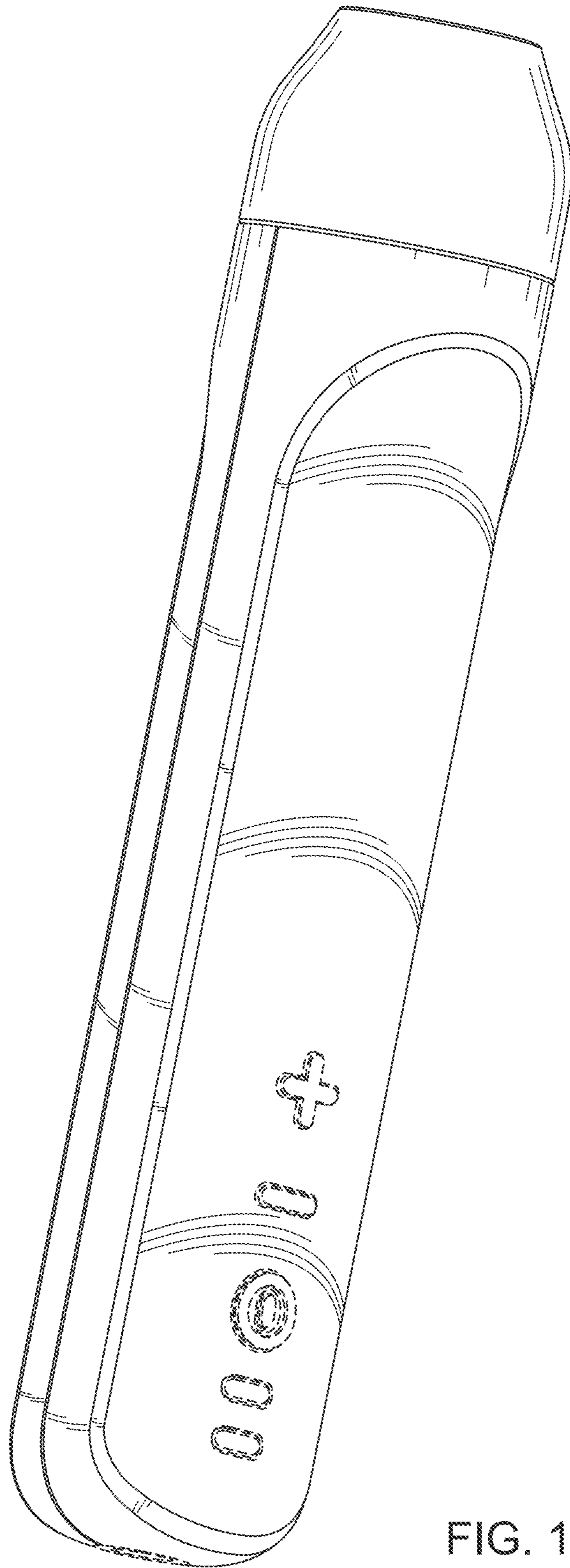


FIG. 1

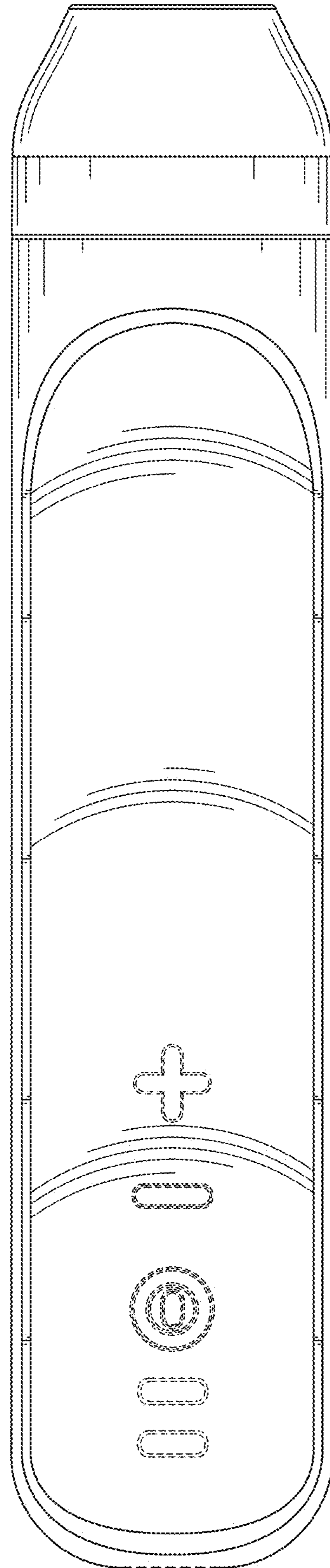


FIG. 2

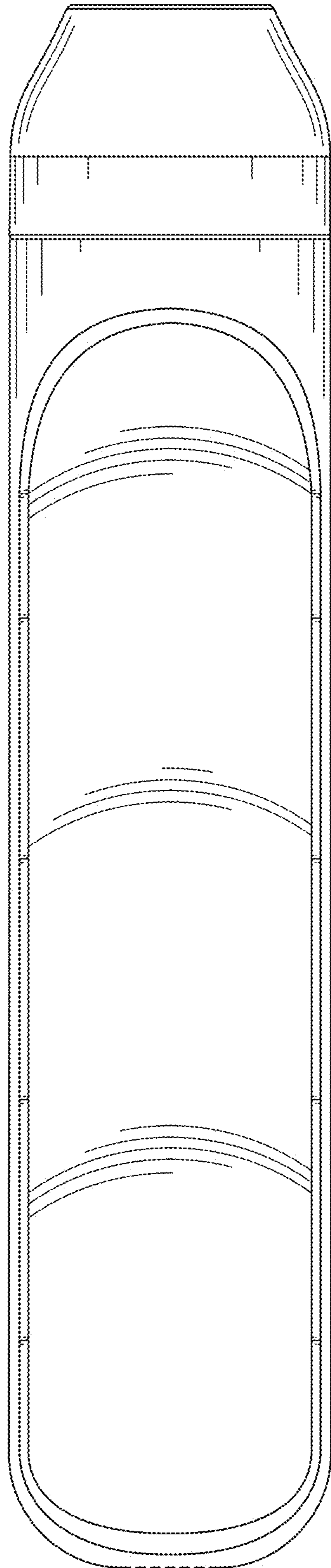


FIG. 3

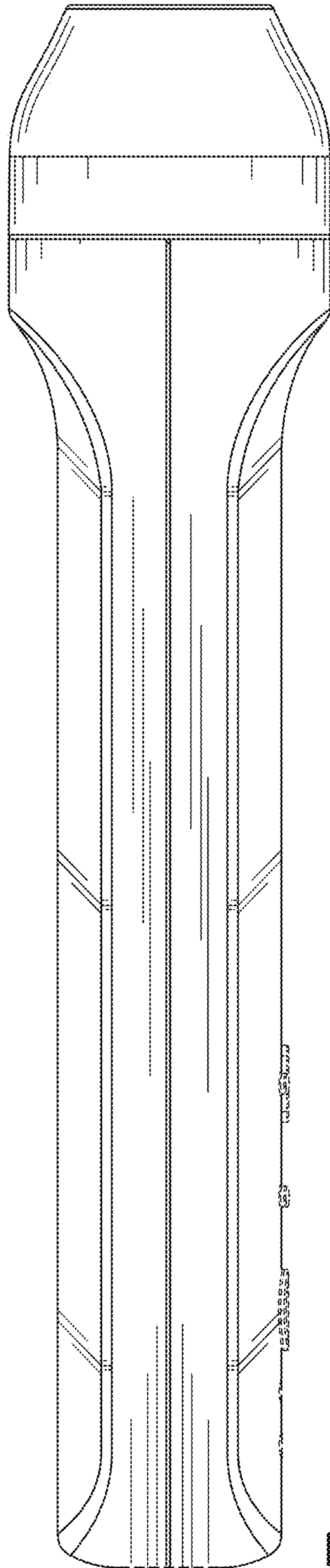


FIG. 4

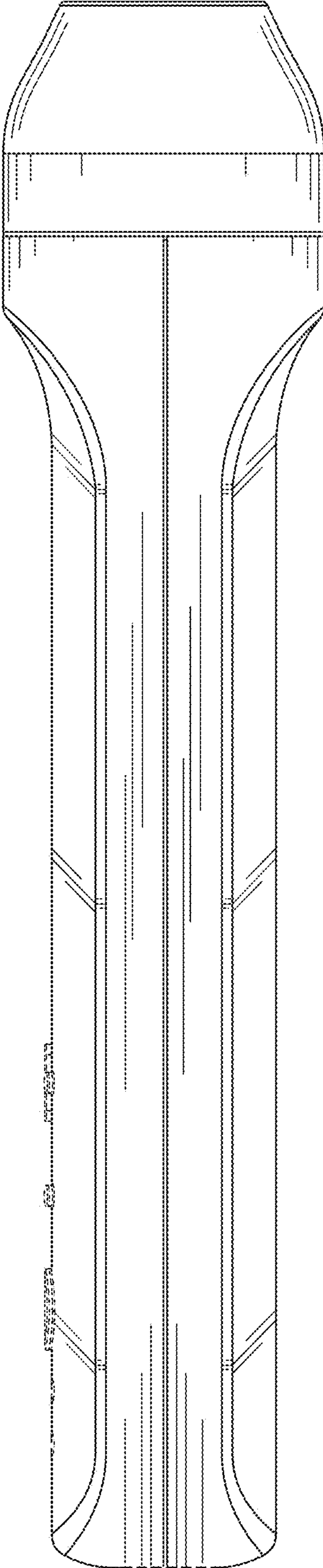


FIG. 5

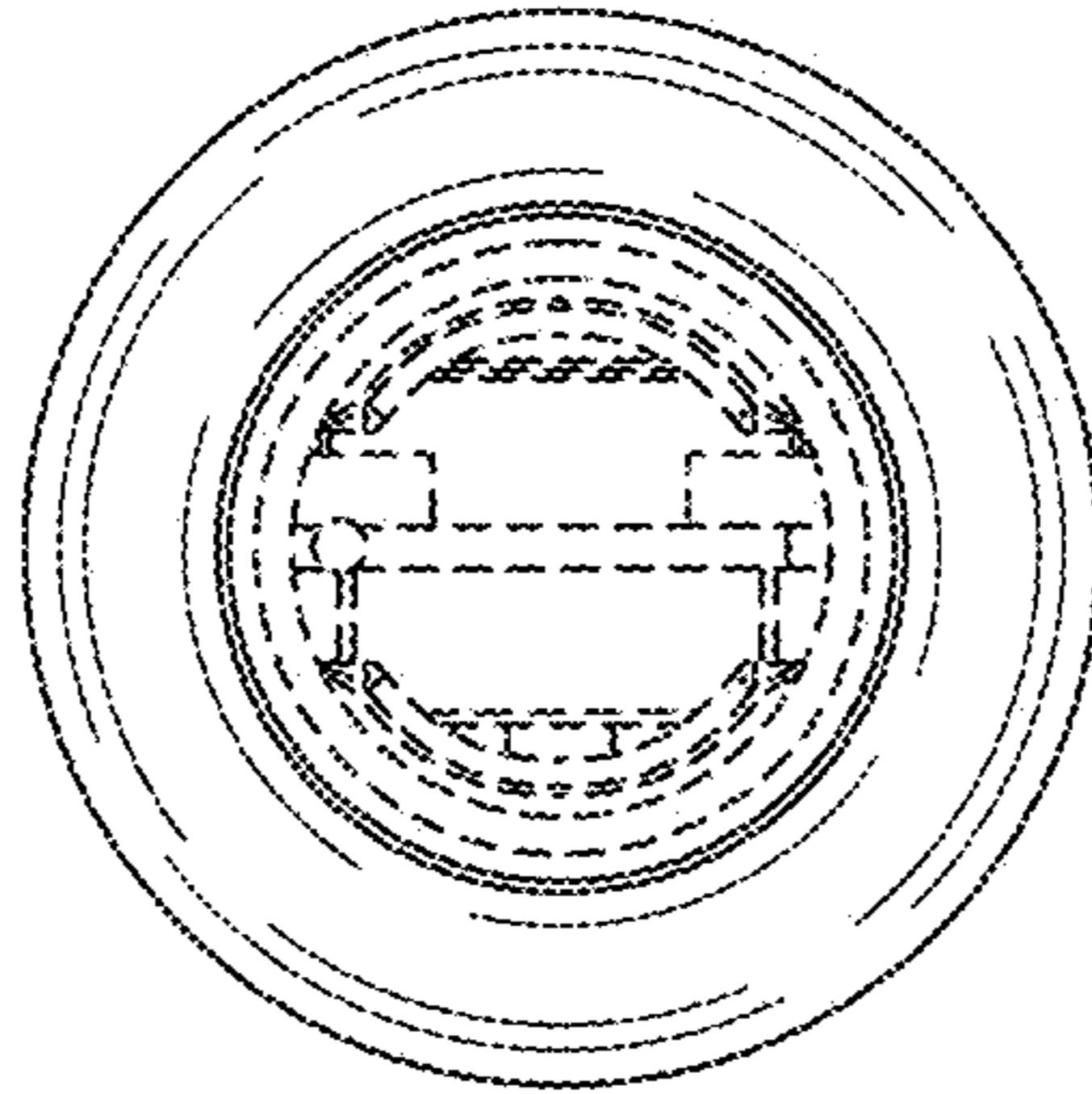


FIG. 6

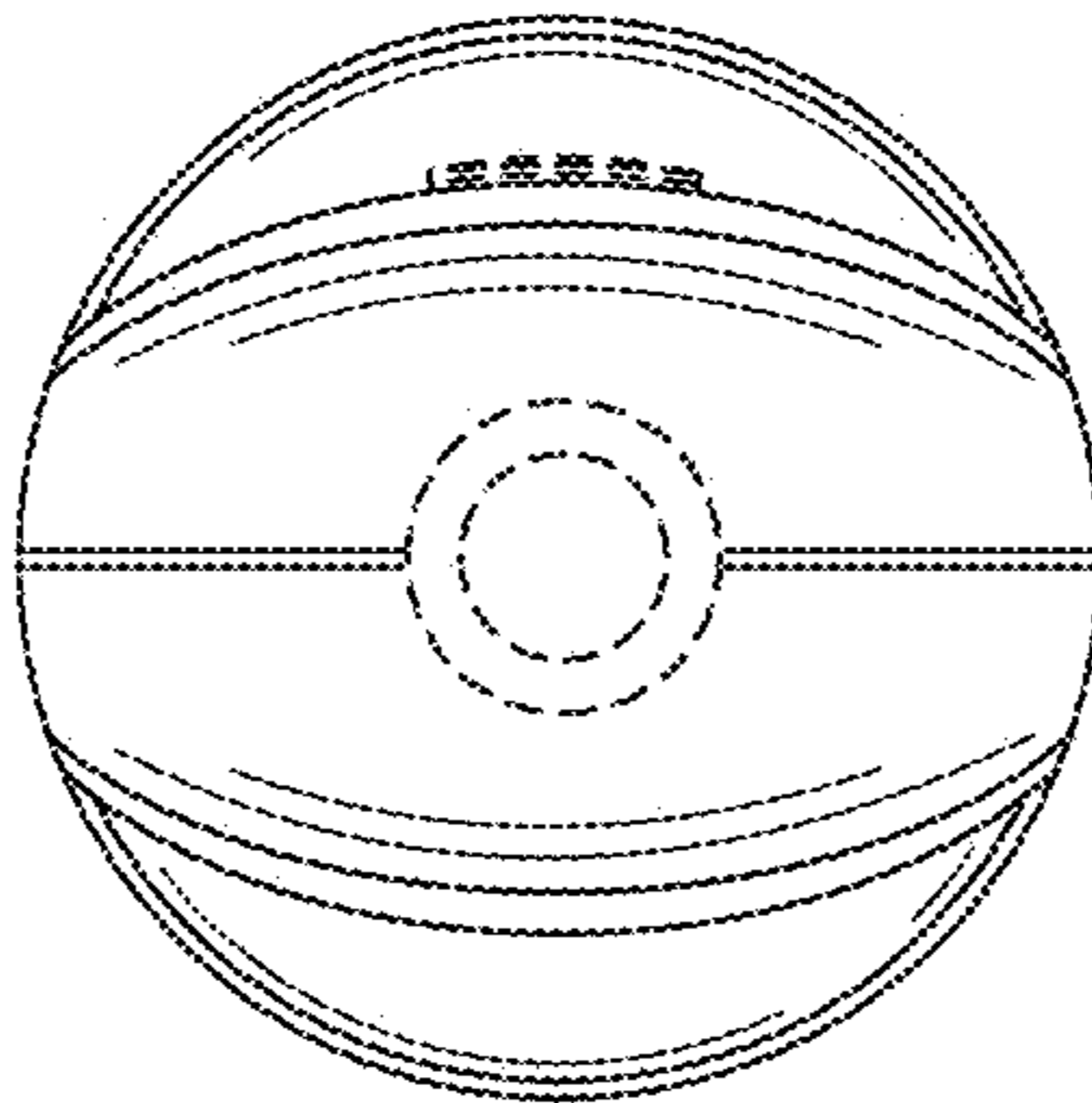


FIG. 7