

US00D983386S

(12) **United States Design Patent** (10) **Patent No.:** **US D983,386 S**
Barak (45) **Date of Patent:** **** Apr. 11, 2023**

(54) **SKIN TREATMENT DEVICE APPLICATOR**

(71) Applicants: **LUMENIS LTD**, Yokneam (IL);
POLLOGEN LTD., Tel Aviv (IL)

(72) Inventor: **Hagai Barak**, Tel Aviv-Jaffa (IL)

(73) Assignee: **POLLOGEN LTD.**, Tel Aviv (IL)

(**) Term: **15 Years**

(21) Appl. No.: **29/781,153**

(22) Filed: **Apr. 28, 2021**

(51) **LOC (14) Cl.** **24-01**

(52) **U.S. Cl.**
USPC **D24/200; D24/209**

(58) **Field of Classification Search**
USPC D24/200, 209–215, 186; D28/7
CPC .. A61N 5/0613; A61N 5/0616; A61N 5/0617;
A61N 5/062; A61N 2005/0643; A61N
2005/0644; A61H 7/00; A61H 7/001;
A61H 7/002; A61H 7/003; A61H 7/004;
A61H 7/005; A61H 15/00; A61H
15/0078; A61H 15/0085; A61H
2005/0042; A61H 2201/1253; A61H
23/06

See application file for complete search history.

(56) **References Cited**

U.S. PATENT DOCUMENTS

D320,279	S	*	9/1991	McQueen	D24/215
D791,960	S	*	7/2017	Guanying	D24/209
D824,528	S	*	7/2018	Yang	D24/209
D862,717	S	*	10/2019	Khubani	D24/200
10,543,040	B2	*	1/2020	Beerwerth	A61N 5/0617
D880,710	S	*	4/2020	Amoyal	D24/209
D898,207	S	*	10/2020	Yang	D24/200

11,383,096	B2	*	7/2022	Lim	A61N 5/0616
2017/0216619	A1	*	8/2017	Beerwerth	A61N 5/0617
2020/0038530	A1	*	2/2020	Yildirim	A61N 5/0616
2020/0046999	A1	*	2/2020	Lim	A61N 5/0616
2020/0179220	A1	*	6/2020	Jablow	A61H 9/0057
2020/0179713	A1	*	6/2020	Subhash	A61N 5/0616

OTHER PUBLICATIONS

“Ultrasound Infusion”. Retrieved on Aug. 31, 2022. Retrieved from internet <<https://dermaspark.com/oxygeneo-3-in-1-super-facial/>>.*

* cited by examiner

Primary Examiner — Wan Laymon

(74) *Attorney, Agent, or Firm* — Isus Intellectual Property PLLC; Anthony Jason Mirabito

(57) **CLAIM**

The ornamental design for a skin treatment device applicator, as shown and described.

DESCRIPTION

FIG. 1 is a top perspective view of a skin treatment device application of the new design.

FIG. 2 is a front view of the new design.

FIG. 3 is a back view of the new design.

FIG. 4 is a left side view of the new design.

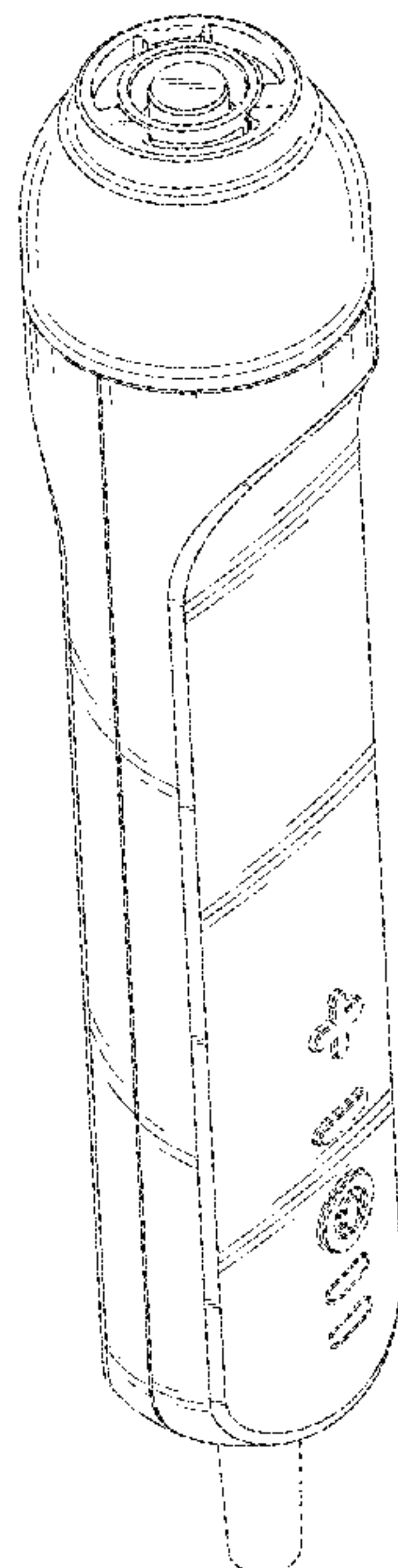
FIG. 5 is a right side view of the new design.

FIG. 6 is a top view of the new design; and,

FIG. 7 is a bottom view of the new design.

In the drawings, the broken lines depict portions of the skin treatment device application and form no part of the claimed design.

1 Claim, 6 Drawing Sheets



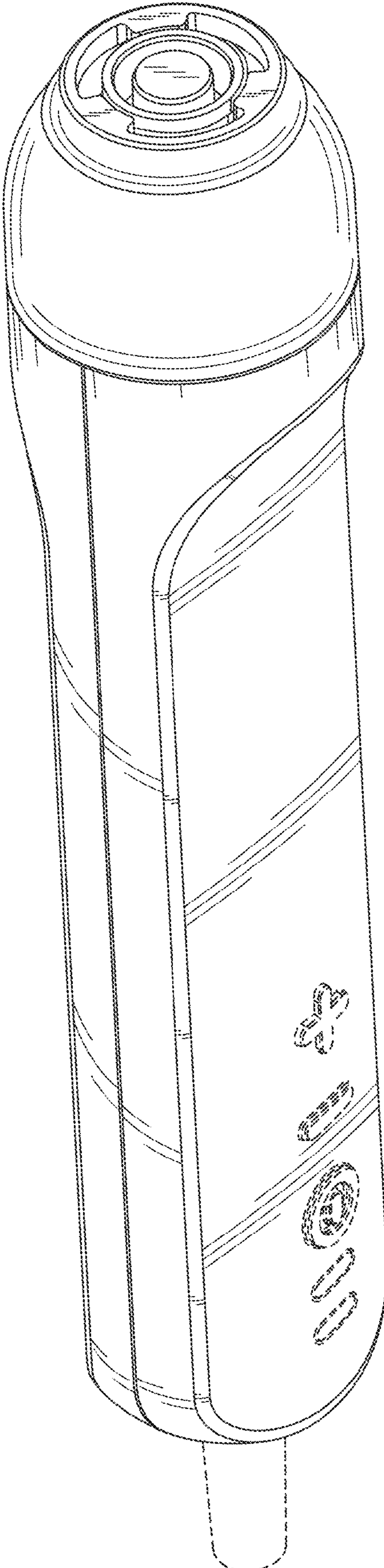


FIG. 1

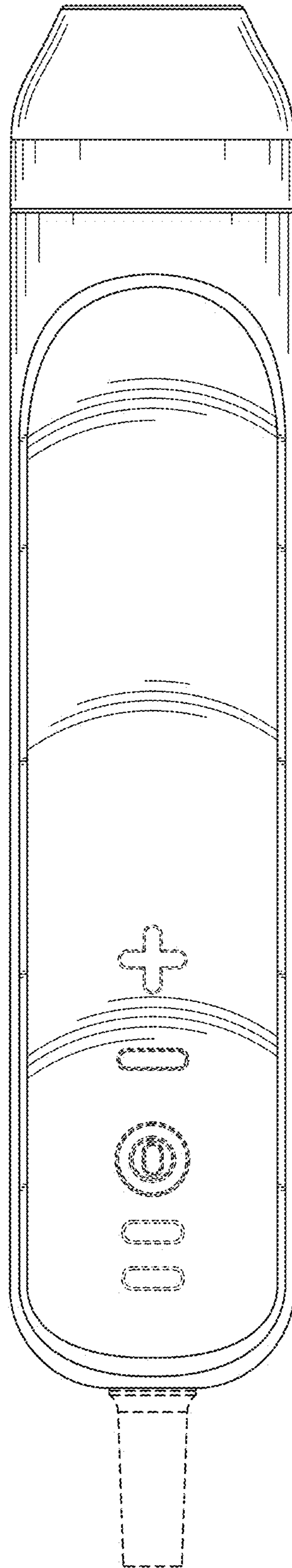


FIG. 2

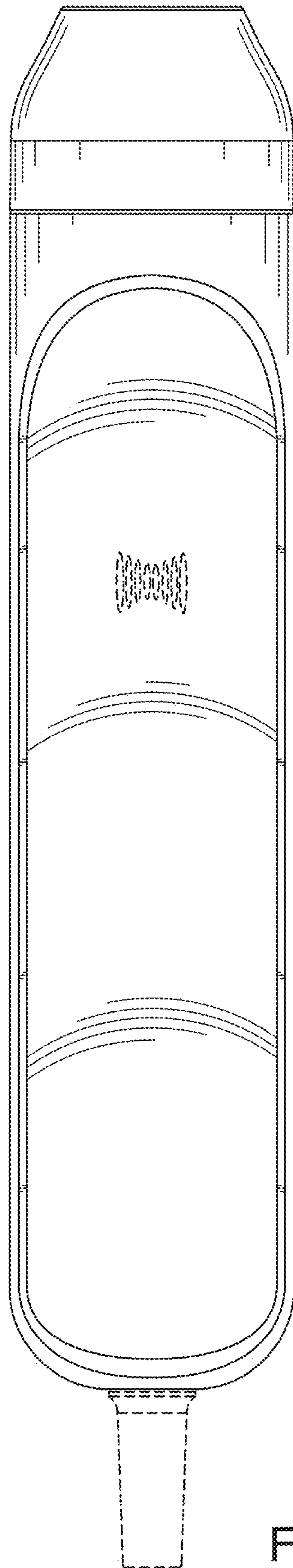


FIG. 3

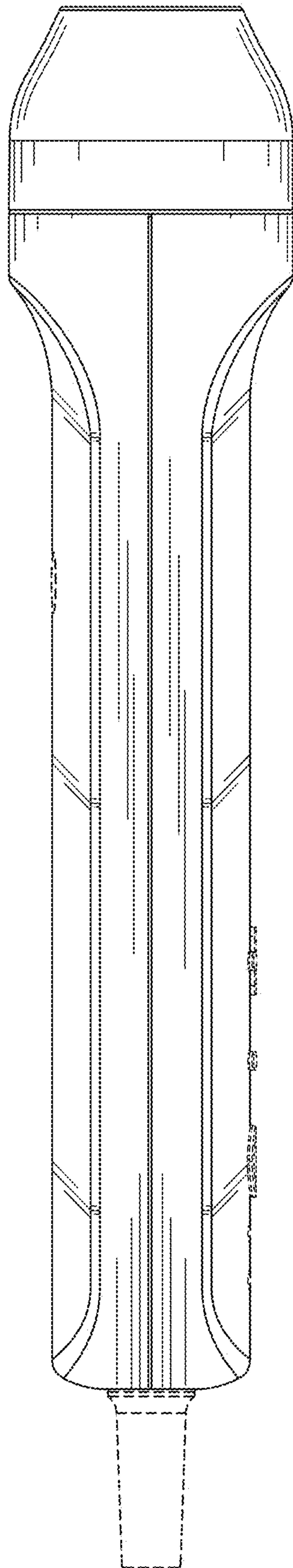


FIG. 4

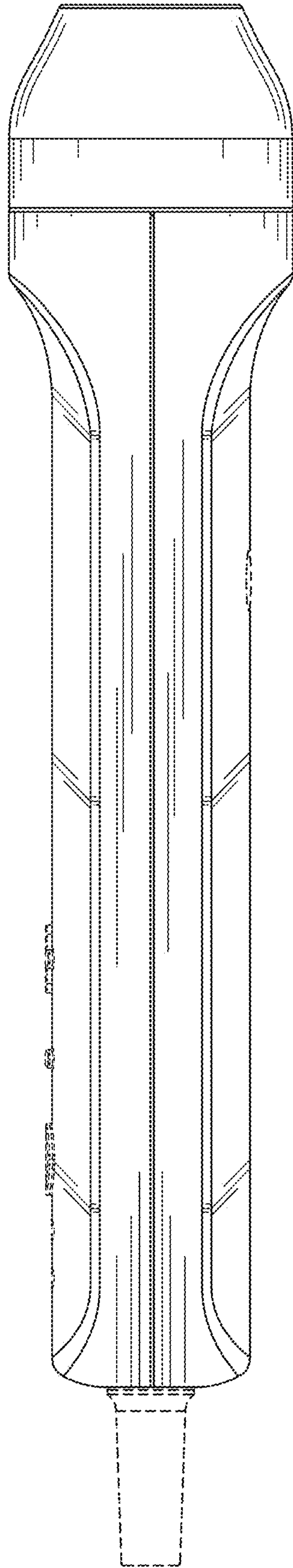


FIG. 5

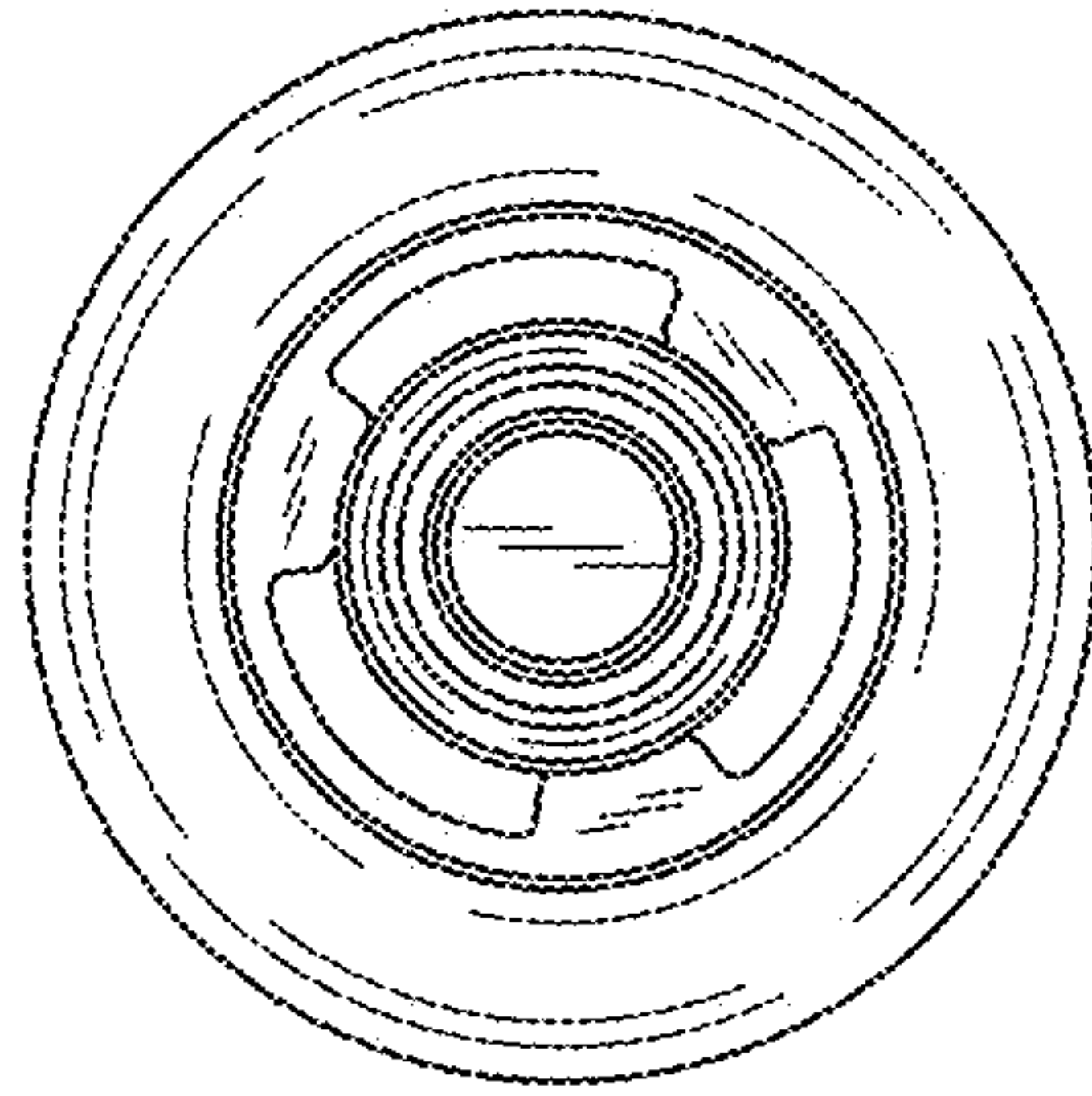


FIG. 6

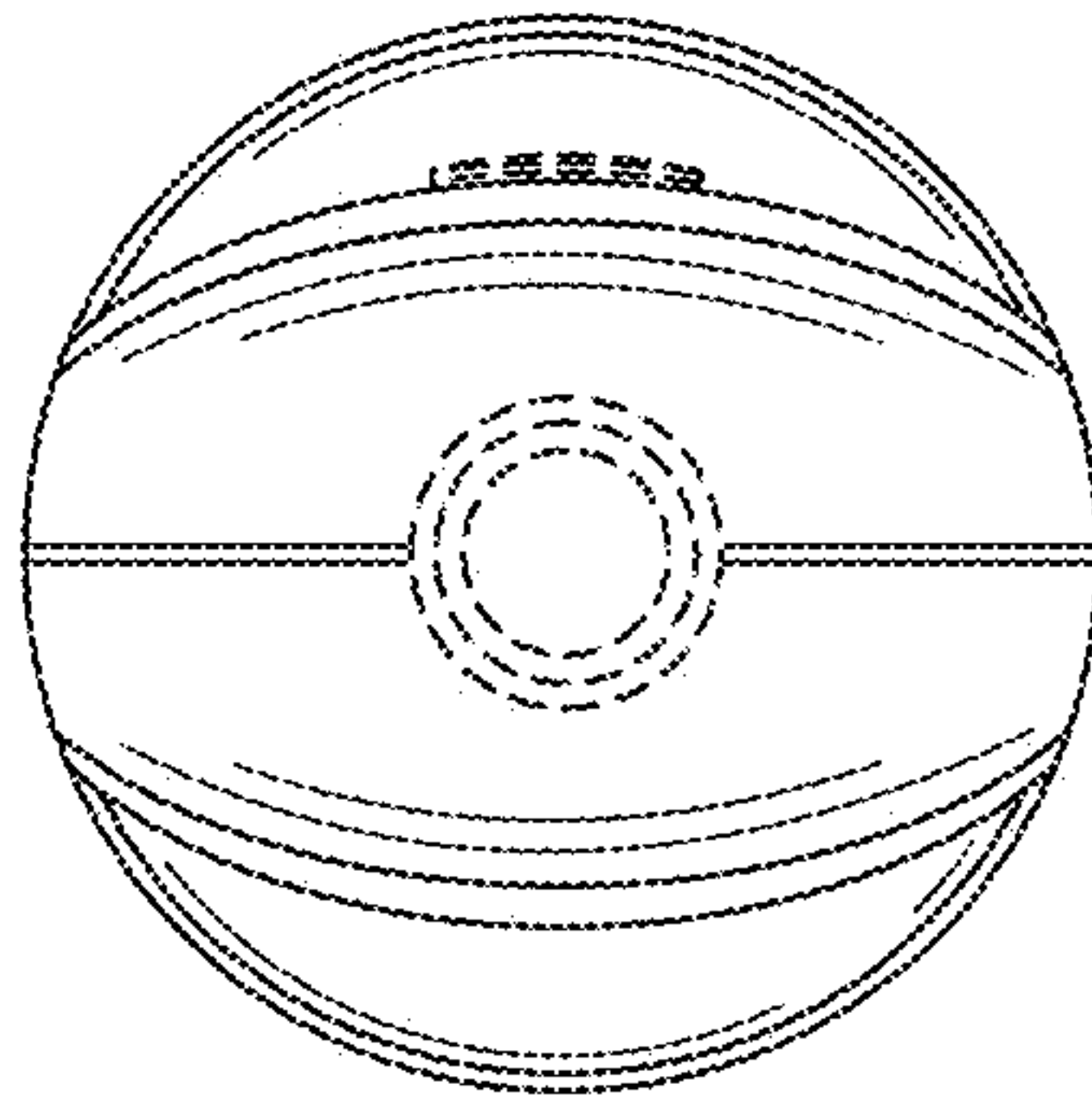


FIG. 7