



US00D983384S

(12) **United States Design Patent**
Quackenbush et al.

(10) **Patent No.:** **US D983,384 S**

(45) **Date of Patent:** **** Apr. 11, 2023**

(54) **BABY BOTTLE**

(71) Applicant: **MOMI Brands, Inc.**, Indian Trail, NC (US)

(72) Inventors: **Carr Lane Quackenbush**, Monson, MA (US); **Todd Robert Quackenbush**, Portland, OR (US); **Margaret S. Alden**, Winston-Salem, NC (US); **Harold R. Eason**, Indian Trail, NC (US); **Charles W. Johnson**, Charlotte, NC (US); **Dina Carey**, Charlotte, NC (US)

(73) Assignee: **MOMTECH INC.**, Matthews, NC (US)

(**) Term: **15 Years**

(21) Appl. No.: **29/765,527**

(22) Filed: **Jan. 8, 2021**

(51) **LOC (14) Cl.** **07-01**

(52) **U.S. Cl.**
USPC **D24/197**

(58) **Field of Classification Search**
USPC D24/194, 195, 196, 197, 198, 199;
D7/392.1, 511, 513, 619.1, 622, 624.2;
D9/523, 530, 531, 537, 548, 719, 741,
D9/745
CPC A61J 9/00; A61J 9/005; A61J 9/008; A61J
9/0676; A61J 9/08; A47J 36/2411
See application file for complete search history.

(56) **References Cited**

U.S. PATENT DOCUMENTS

2,387,573	A *	10/1945	Ganson	A61J 11/02
					D24/197
7,234,606	B2 *	6/2007	Kraus	A61J 9/00
					215/11.1
D609,355	S *	2/2010	Strickler	D24/197
D625,423	S *	10/2010	MacKay	D24/197
D635,684	S *	4/2011	Shaikh	D24/197

(Continued)

OTHER PUBLICATIONS

“Momi: natural bottle”. Found online Aug. 3, 2022 at facebook.com. Reference dated Oct. 30, 2020. Retrieved from <https://www.facebook.com/momi.naturally/photos/235990517962515/>.*

(Continued)

Primary Examiner — Kendra Leslie Hamilton
(74) *Attorney, Agent, or Firm* — Christopher J. Scott

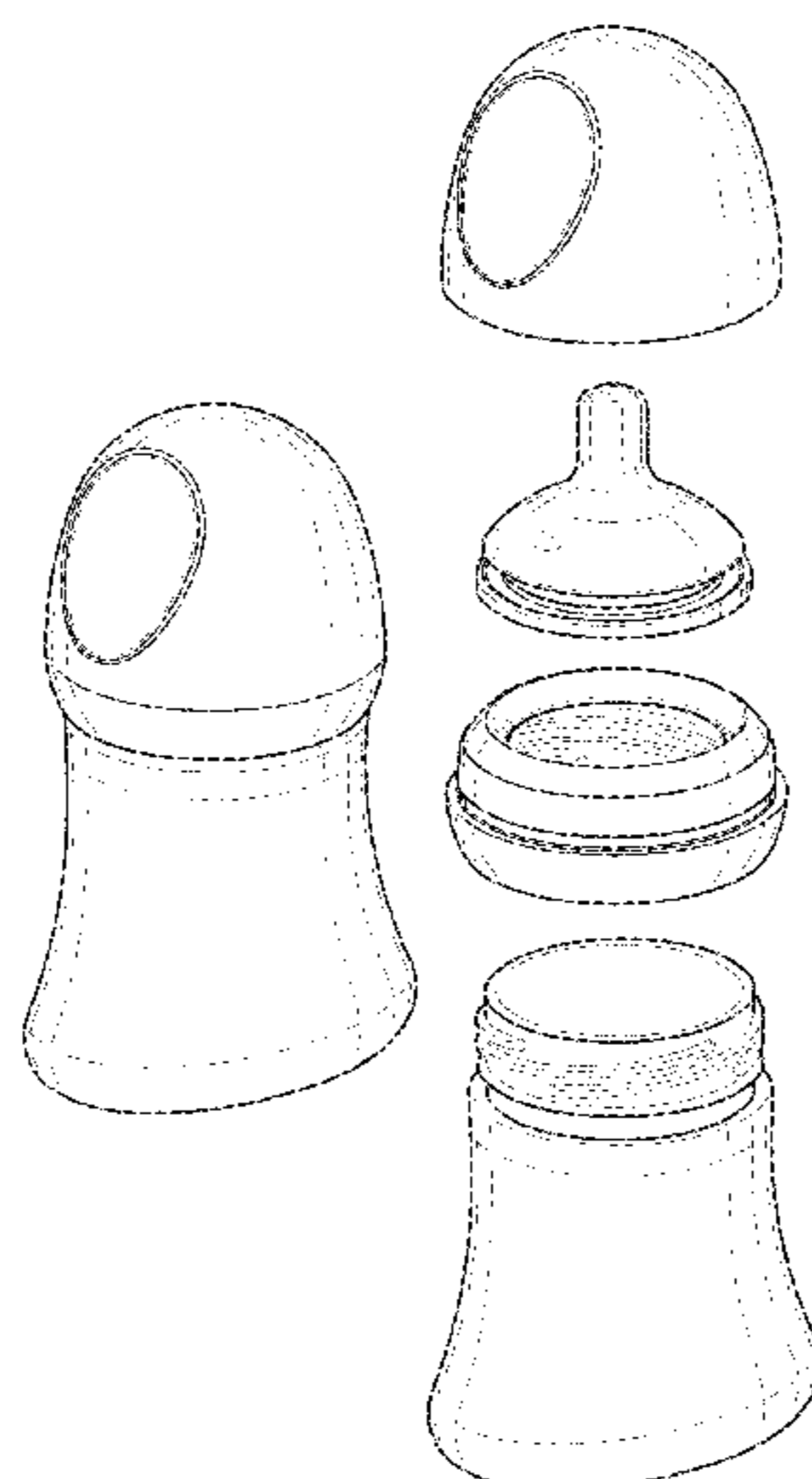
(57) **CLAIM**

The ornamental design for a baby bottle, as shown and described.

DESCRIPTION

FIG. 1 is a top, front, left perspective view of a baby bottle, shown in a first configuration with bottle cap affixed; FIG. 2 is a perspective view of the baby bottle of FIG. 1, shown exploded for clarity of disclosure; FIG. 3 is a front elevation view of the baby bottle of FIG. 1, shown in the first configuration; FIG. 4 is a left side elevation view thereof; FIG. 5 is a rear elevation view thereof; FIG. 6 is a right side elevation view thereof; FIG. 7 is a top plan view thereof; FIG. 8 is a bottom plan view thereof; FIG. 9 is a top, front, left perspective view of the baby bottle of FIG. 1, shown in a second configuration with bottle cap removed; FIG. 10 is a front elevation view thereof; FIG. 11 is a left side elevation view thereof; FIG. 12 is a rear elevation view thereof; FIG. 13 is a right side elevation view thereof; and, FIG. 14 is a top plan view thereof. The equal-length broken lines in the drawings depict portions of the baby bottle that form no part of the claimed design.

1 Claim, 14 Drawing Sheets



(56)

References Cited

U.S. PATENT DOCUMENTS

D648,857 S * 11/2011 Pheil D24/197
D724,748 S * 3/2015 Roehrig D24/197
D866,777 S * 11/2019 Han D24/197
D878,614 S * 3/2020 Zhang D24/197
D921,209 S * 6/2021 Grkman D24/197
D933,245 S * 10/2021 Clores D24/197
2004/0256345 A1 * 12/2004 Lundquist A61J 11/0085
215/11.1
2019/0110956 A1 * 4/2019 Smith A61J 9/001

OTHER PUBLICATIONS

“Nanobebe: Flexy Silicone Bottle”. Found online Jul. 11, 2022 at amazon.com. Reference dated Oct. 16, 2020. Retrieved from <https://www.amazon.com/Nanobebe-Silicone-Anti-Colic-Natural-Non-Collapsing/dp/B09QT5LMDN/>.*

“Baby Brezza: Glass Bottle with Lid”. Found online May 9, 2019 at amazon.com. Reference dated Mar. 18, 2017. Retrieved from <https://www.amazon.com/Baby-Brezza-Piece-Natural-Bottle/dp/B01N4WTRXR/>.*

“Comotomo: Natural Feel Bottle”. Found online Feb. 12, 2018 at amazon.com. Reference dated Feb. 25, 2011. Retrieved from <https://www.amazon.com/Comotomo-Natural-Bottle-Green-Ounces/dp/B004C053AQ/>.*

* cited by examiner

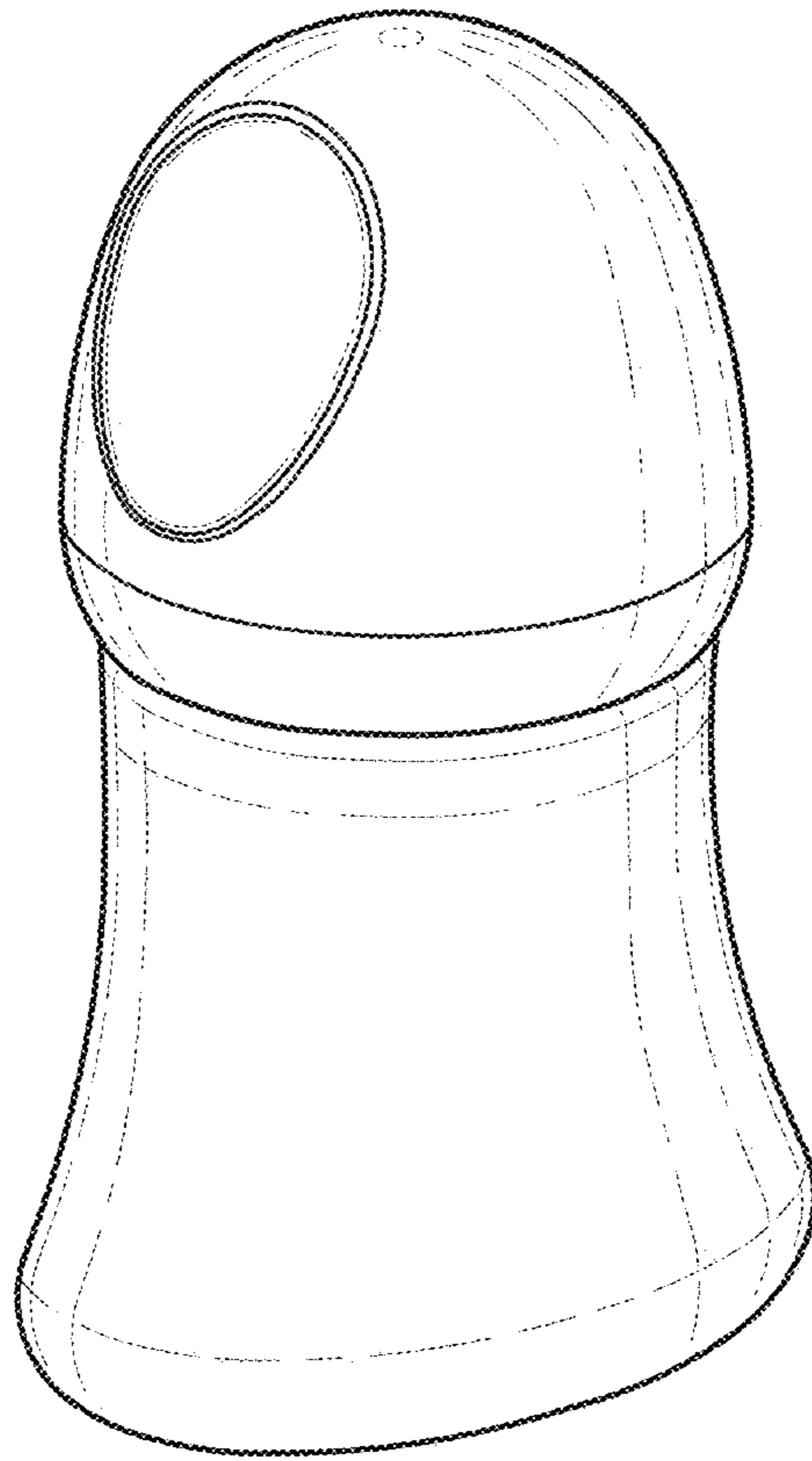


Fig. 1

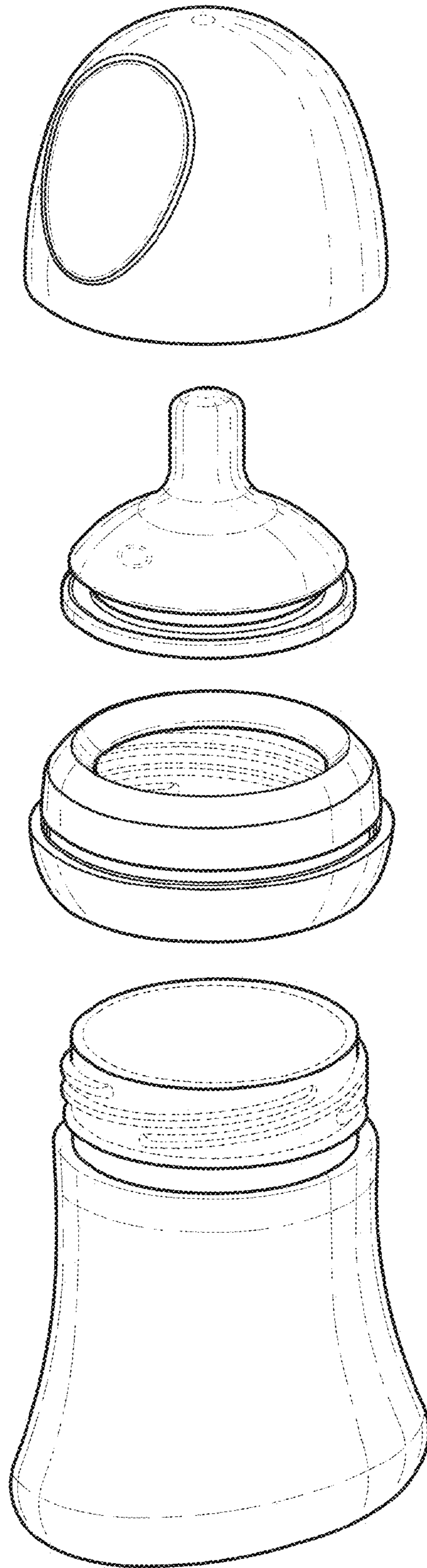


Fig. 2

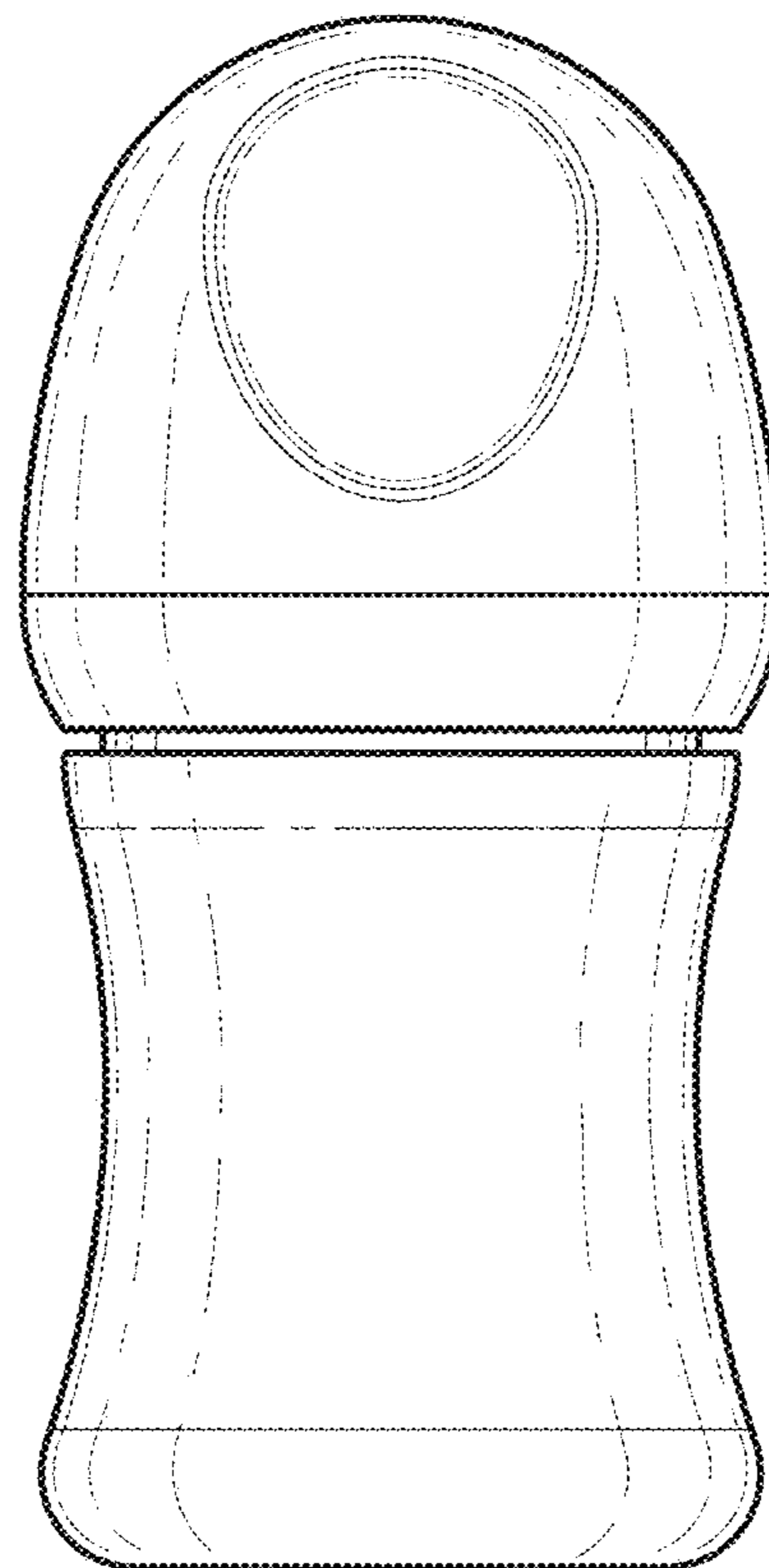


Fig. 3

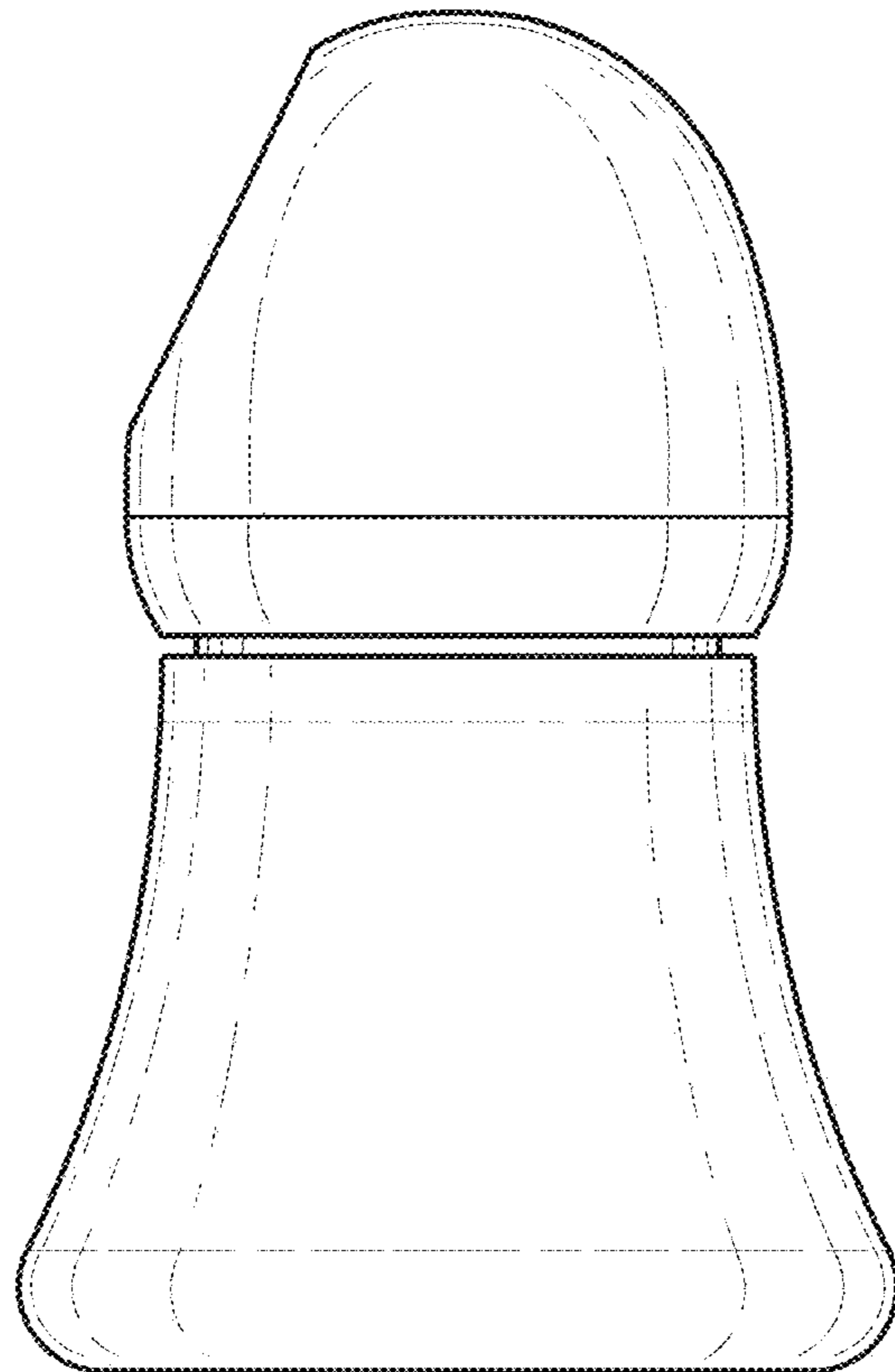


Fig. 4

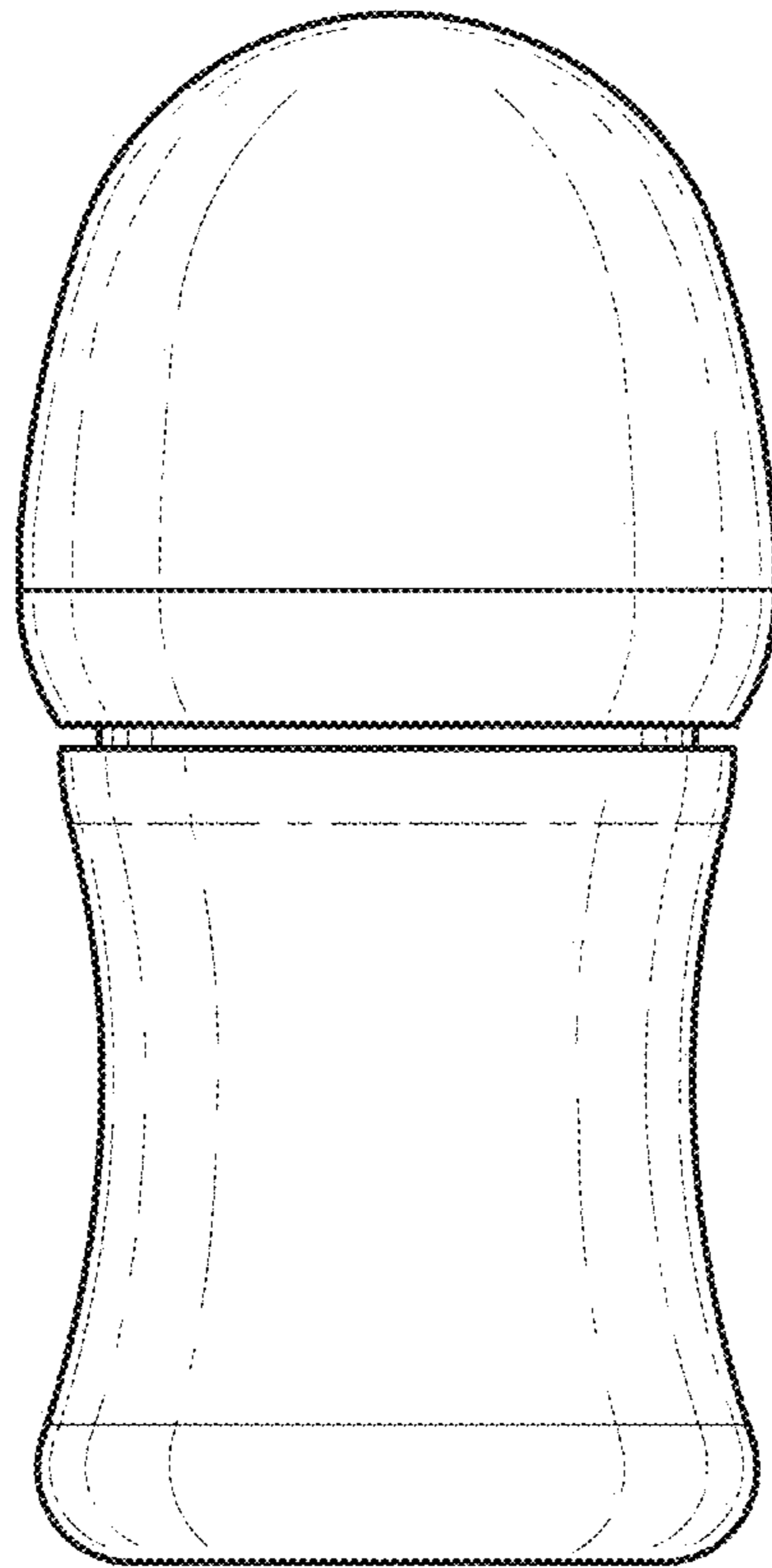


Fig. 5

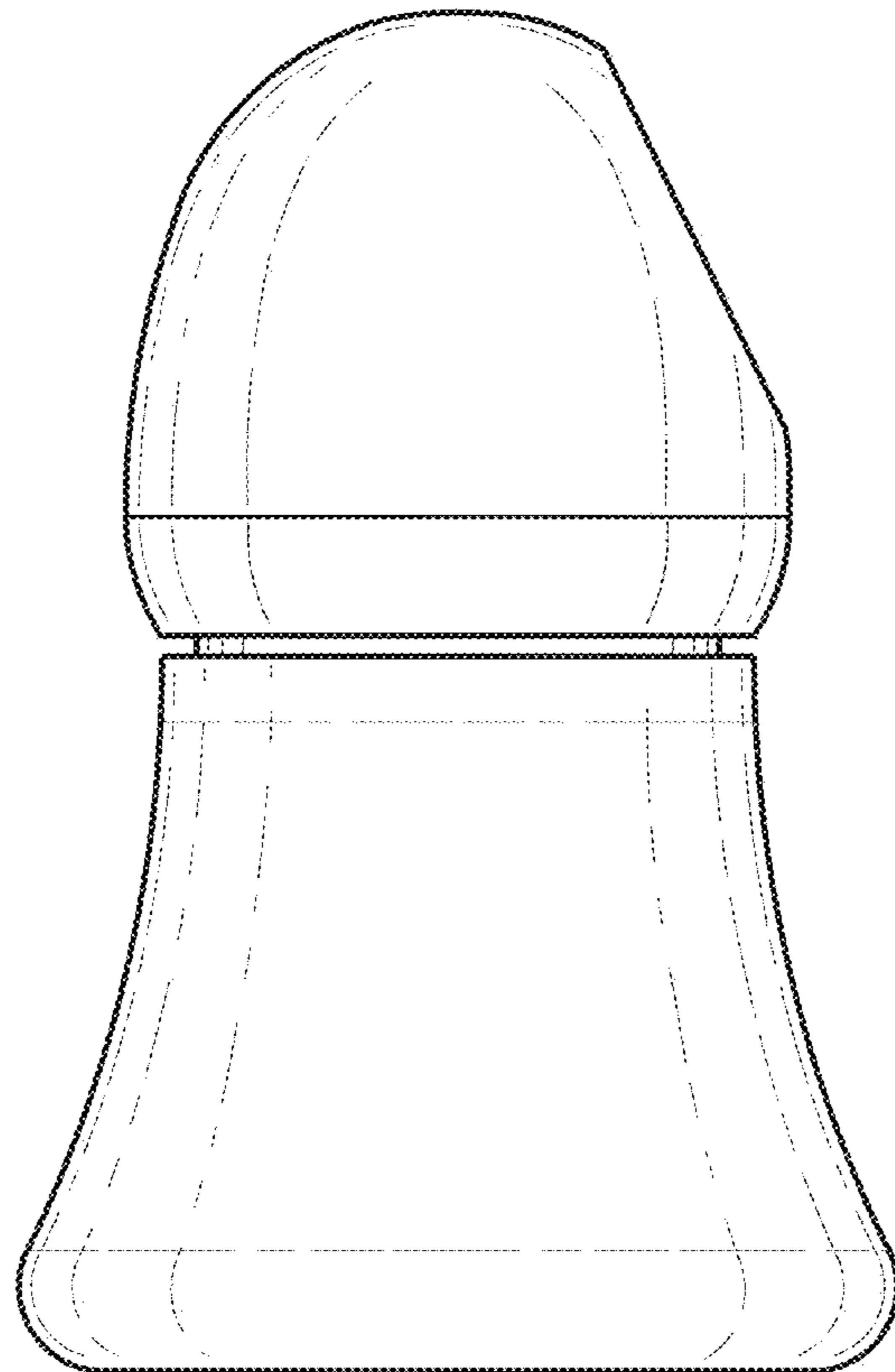


Fig. 6

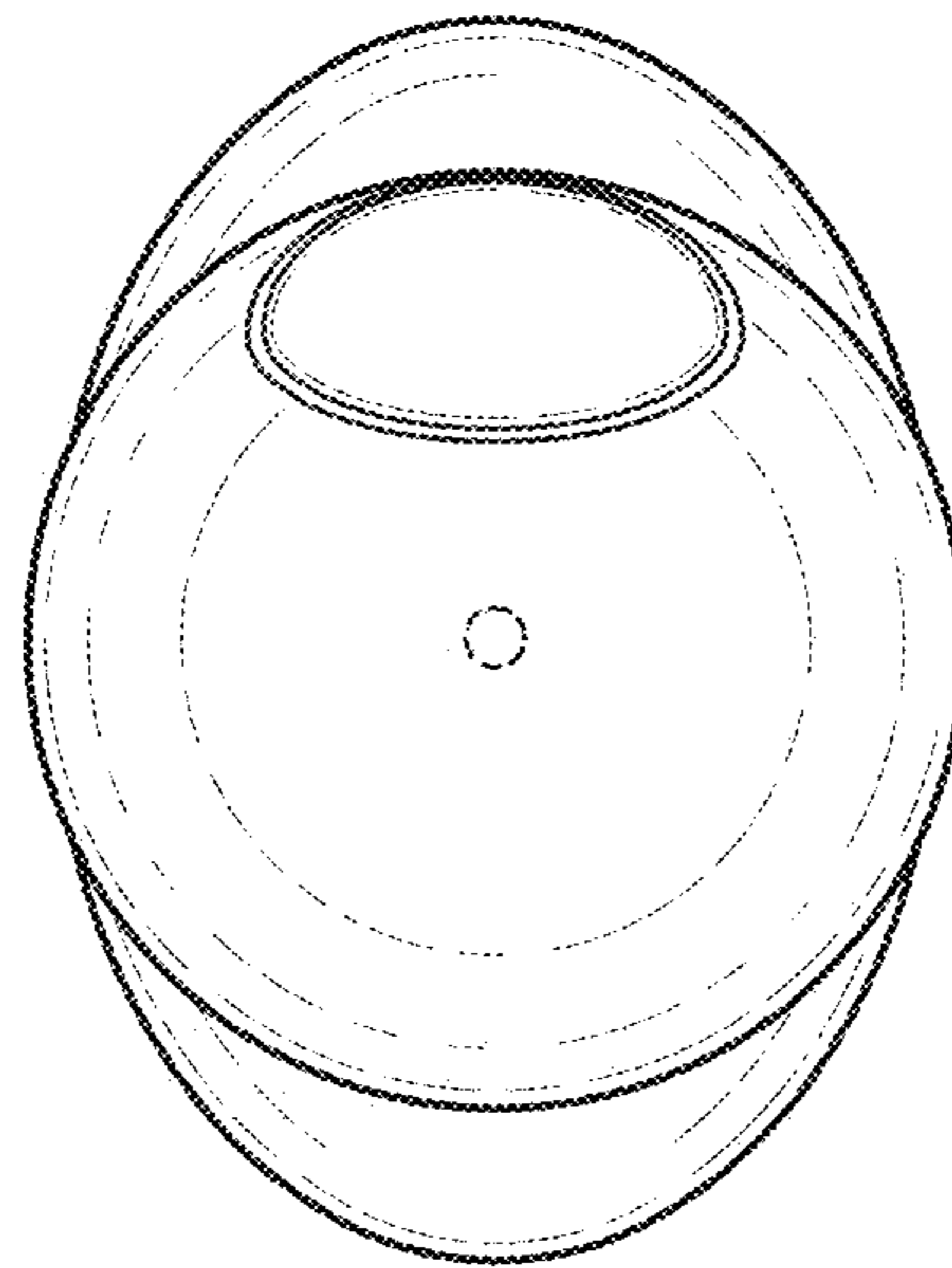


Fig. 7

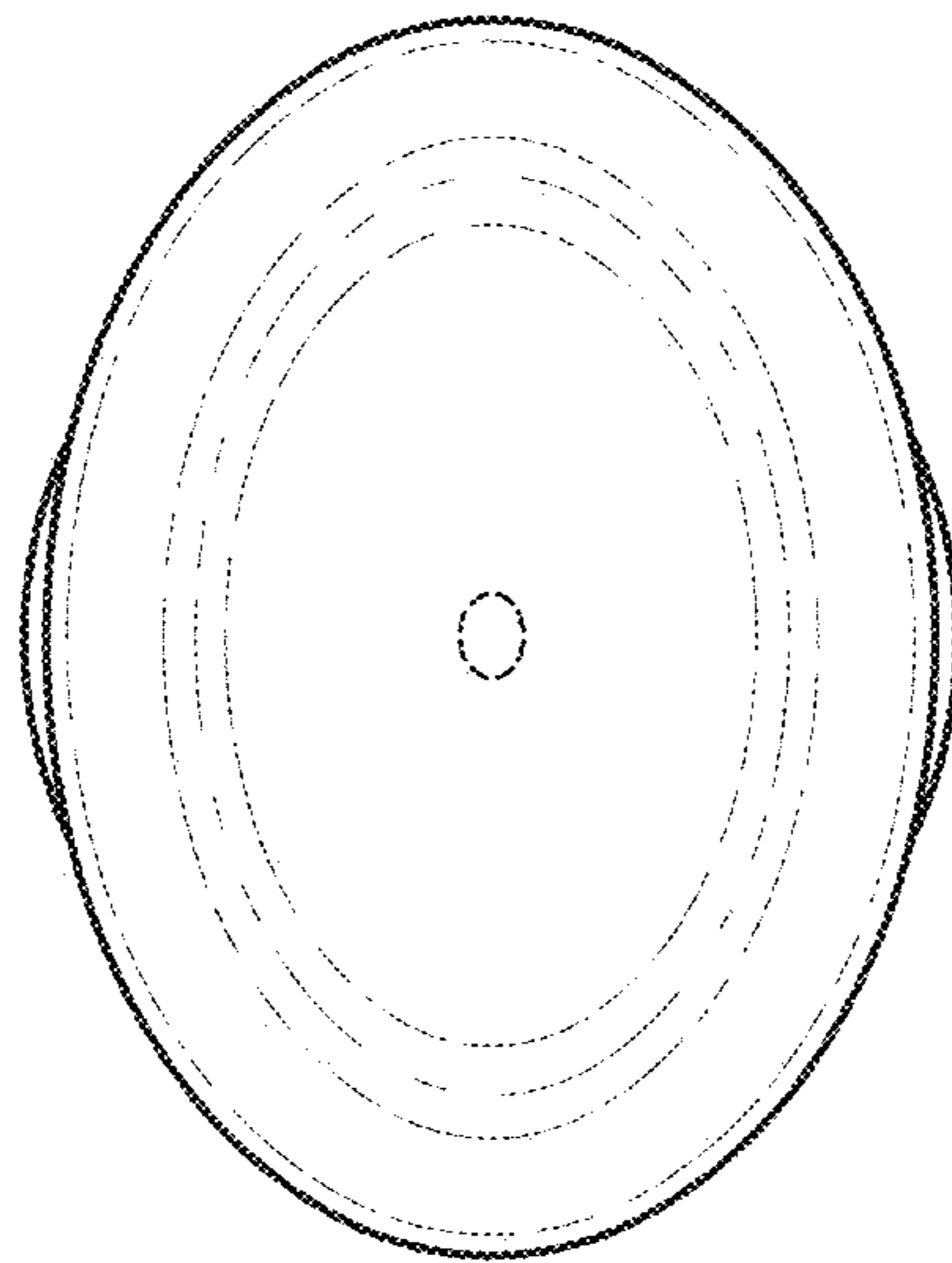


Fig. 8

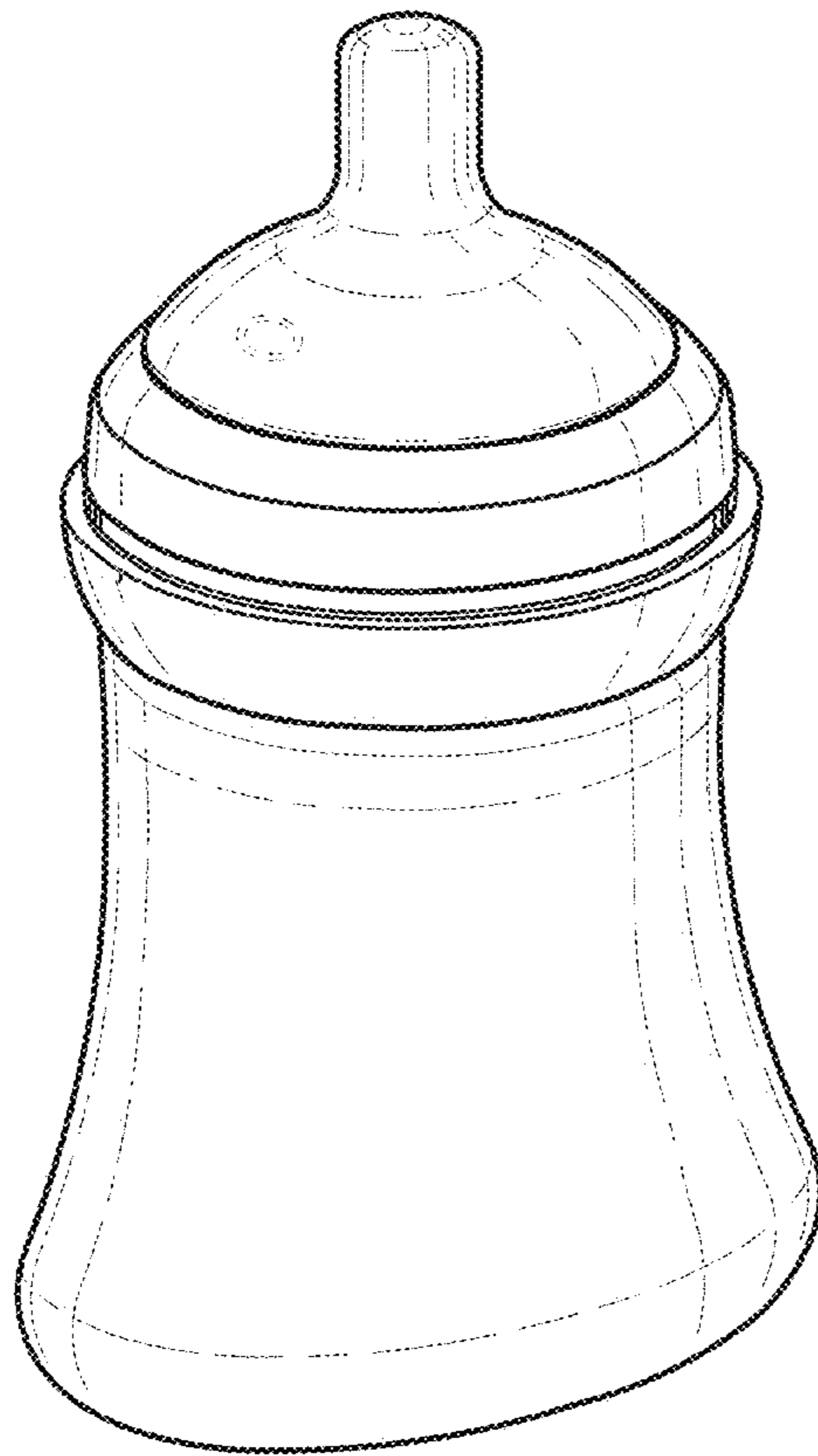


Fig. 9

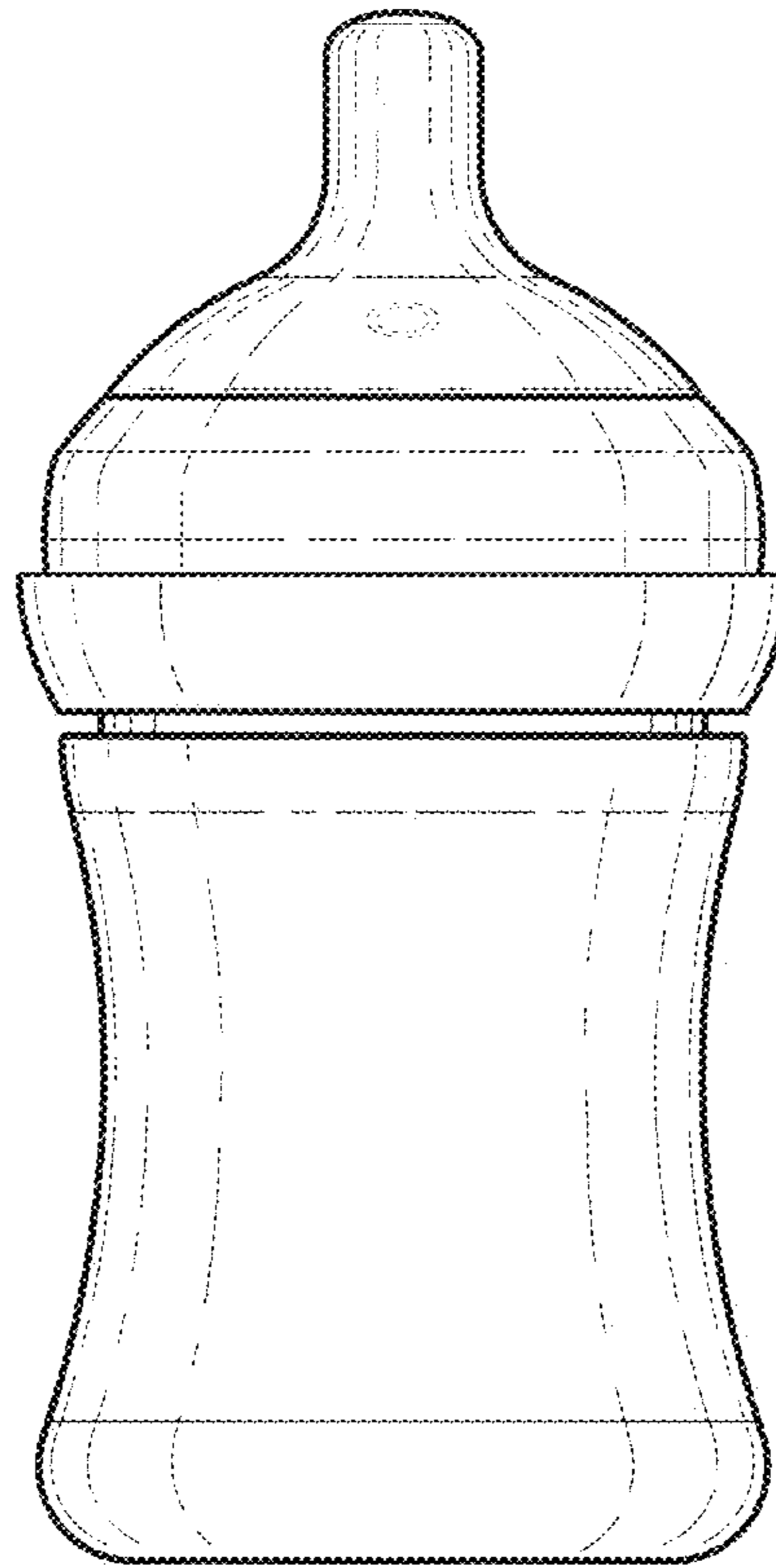


Fig. 10

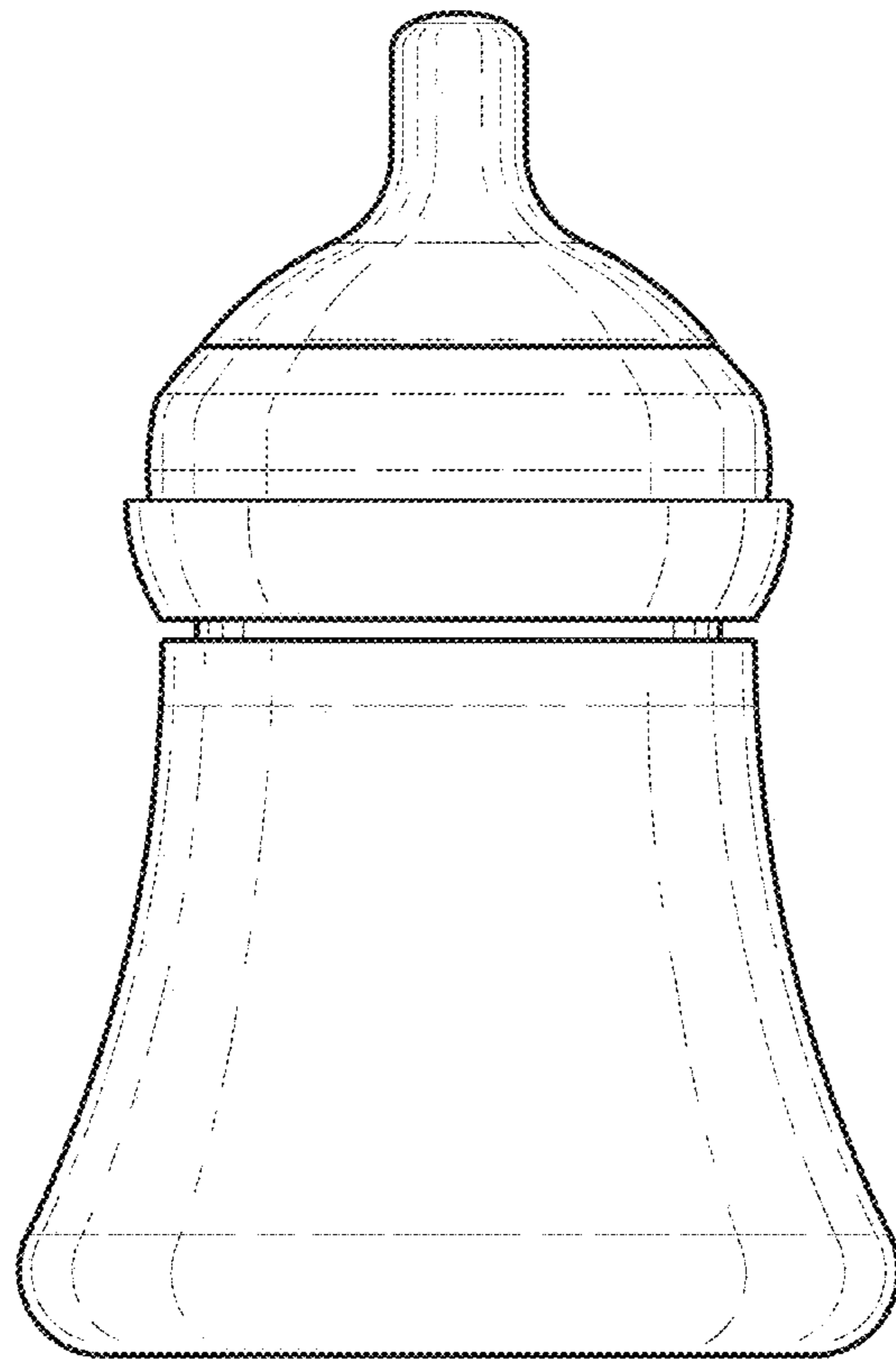


Fig. 11

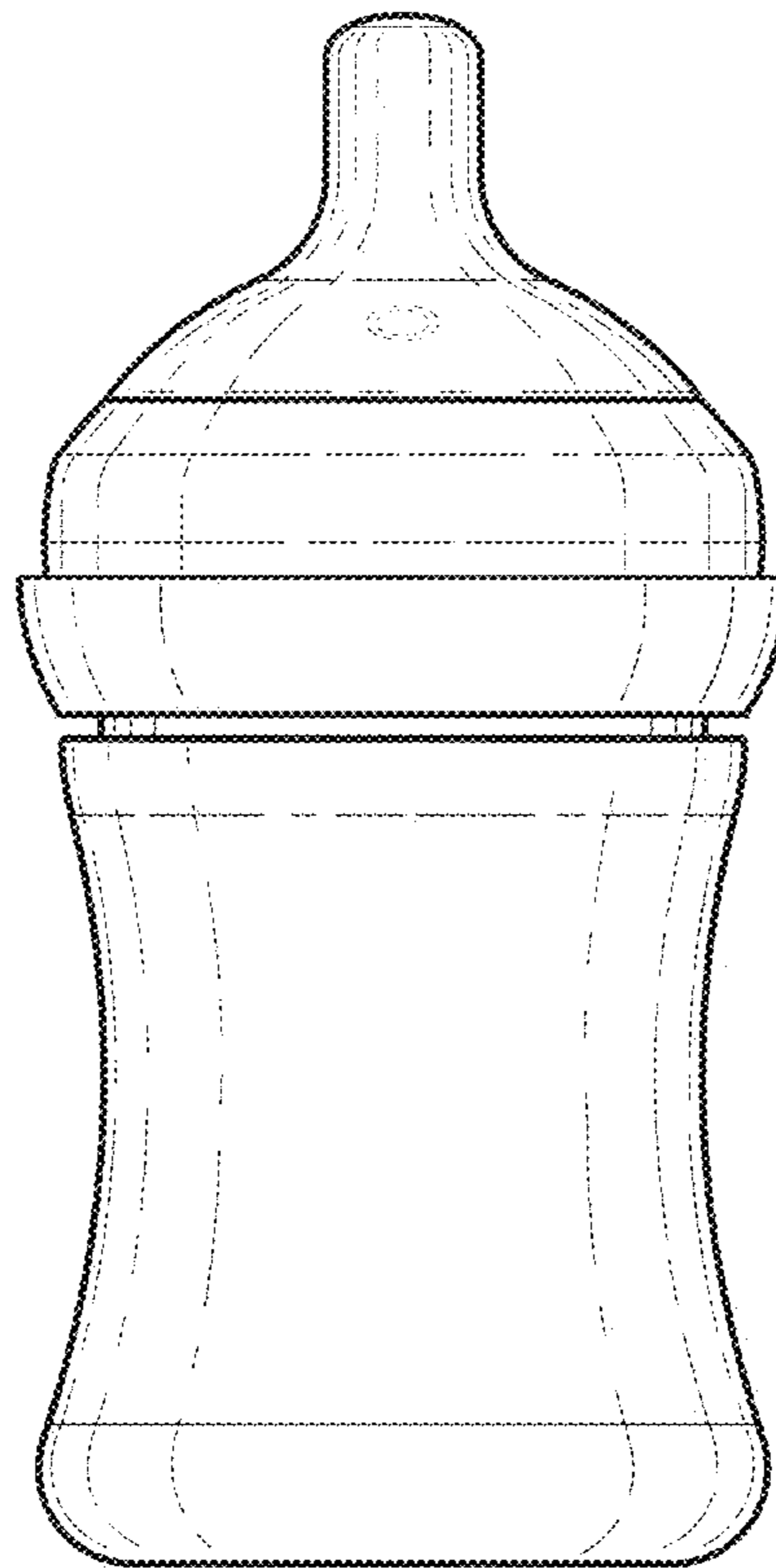


Fig. 12

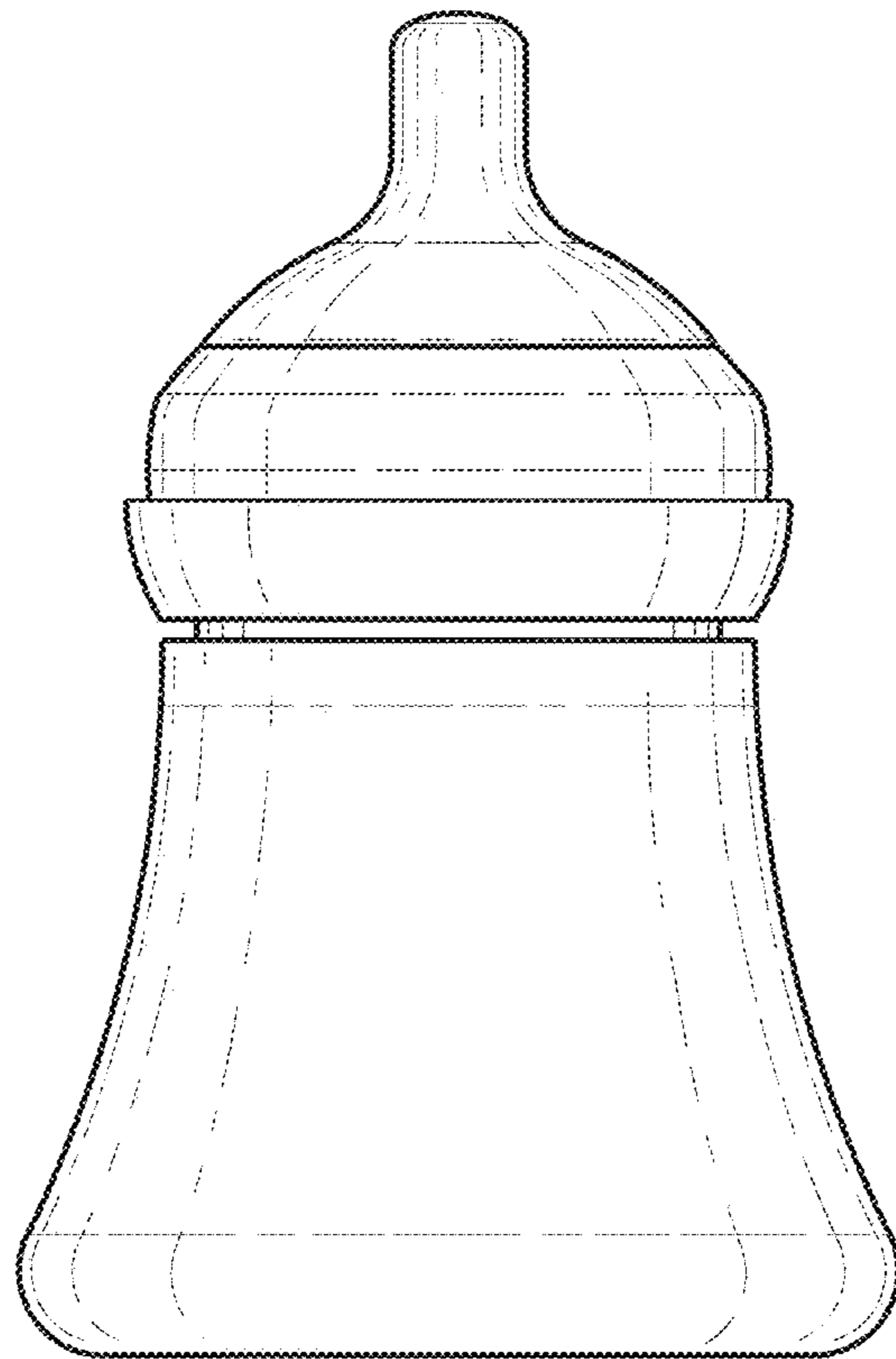


Fig. 13

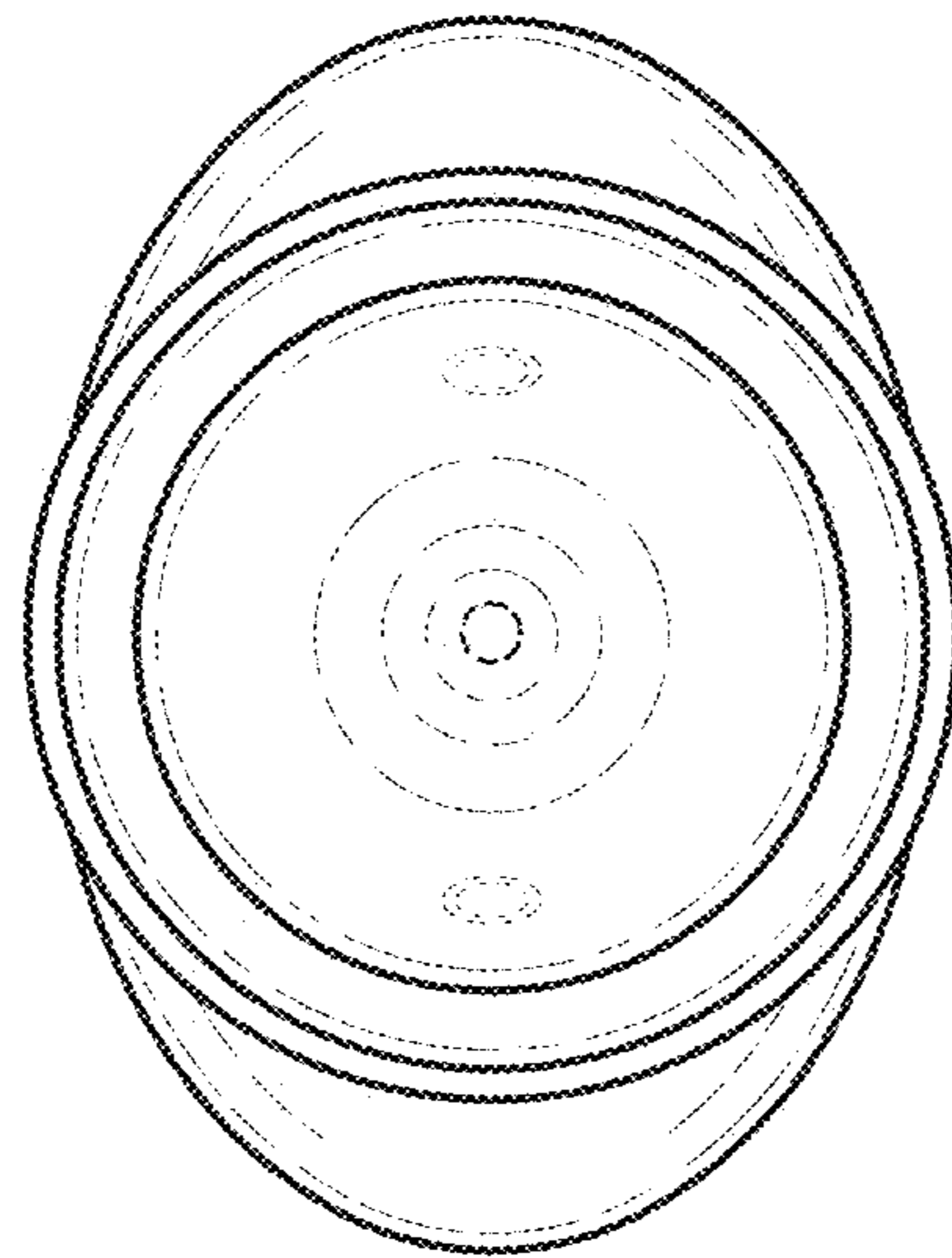


Fig. 14