



US00D983379S

(12) **United States Design Patent** (10) **Patent No.:** **US D983,379 S**
McIlvaine et al. (45) **Date of Patent:** **** Apr. 11, 2023**

(54) **MEDICAL DEVICE**

(56) **References Cited**

(71) Applicant: **Stryker Corporation**, Kalamazoo, MI (US)
(72) Inventors: **Neil G. McIlvaine**, Seattle, WA (US); **Christopher G. Alviar**, Seattle, WA (US); **Jeremy Edward Brummett**, Redmond, WA (US); **Cathlene Buchanan**, Shoreline, WA (US); **Jonas Buck**, Berlin (DE); **Kenneth Howard Dickenson**, Bellevue, WA (US); **Jeffery Scott Edwards**, Bellingham, WA (US); **Kenneth J. Peterson**, Shelton, WA (US); **Johanna Schoemaker**, Berlin (DE); **Mitchell A. Smith**, Sammamish, WA (US); **Fernd van Engelen**, Bothell, WA (US); **Markus Wierzoch**, Carmel, IN (US)
(73) Assignee: **Stryker Corporation**, Kalamazoo, MI (US)

U.S. PATENT DOCUMENTS

D415,279	S	*	10/1999	Daynes	D24/167
D472,553	S	*	4/2003	Borsboom	D14/375
D621,511	S	*	8/2010	Lathrop	D24/167
D623,301	S	*	9/2010	Wung	D24/167
D649,644	S	*	11/2011	Chai	D24/167
D847,999	S	*	5/2019	Heath	D24/167
D861,177	S	*	9/2019	Kim	D24/186
11,166,637	B2	*	11/2021	Siedenburg	A61B 5/0295
D946,763	S	*	3/2022	Ubbesen	D24/186
2002/0072774	A1	*	6/2002	Daynes	A61N 1/3904 607/5
2006/0142808	A1	*	6/2006	Pearce	A61N 1/3925 607/5
2021/0236831	A1	*	8/2021	Buchanan	A61N 1/3904
2021/0290968	A1	*	9/2021	Alviar	A61N 1/3968

* cited by examiner

Primary Examiner — Anhdao Doan
(74) *Attorney, Agent, or Firm* — Lee & Hayes, P.C.

(57) **CLAIM**

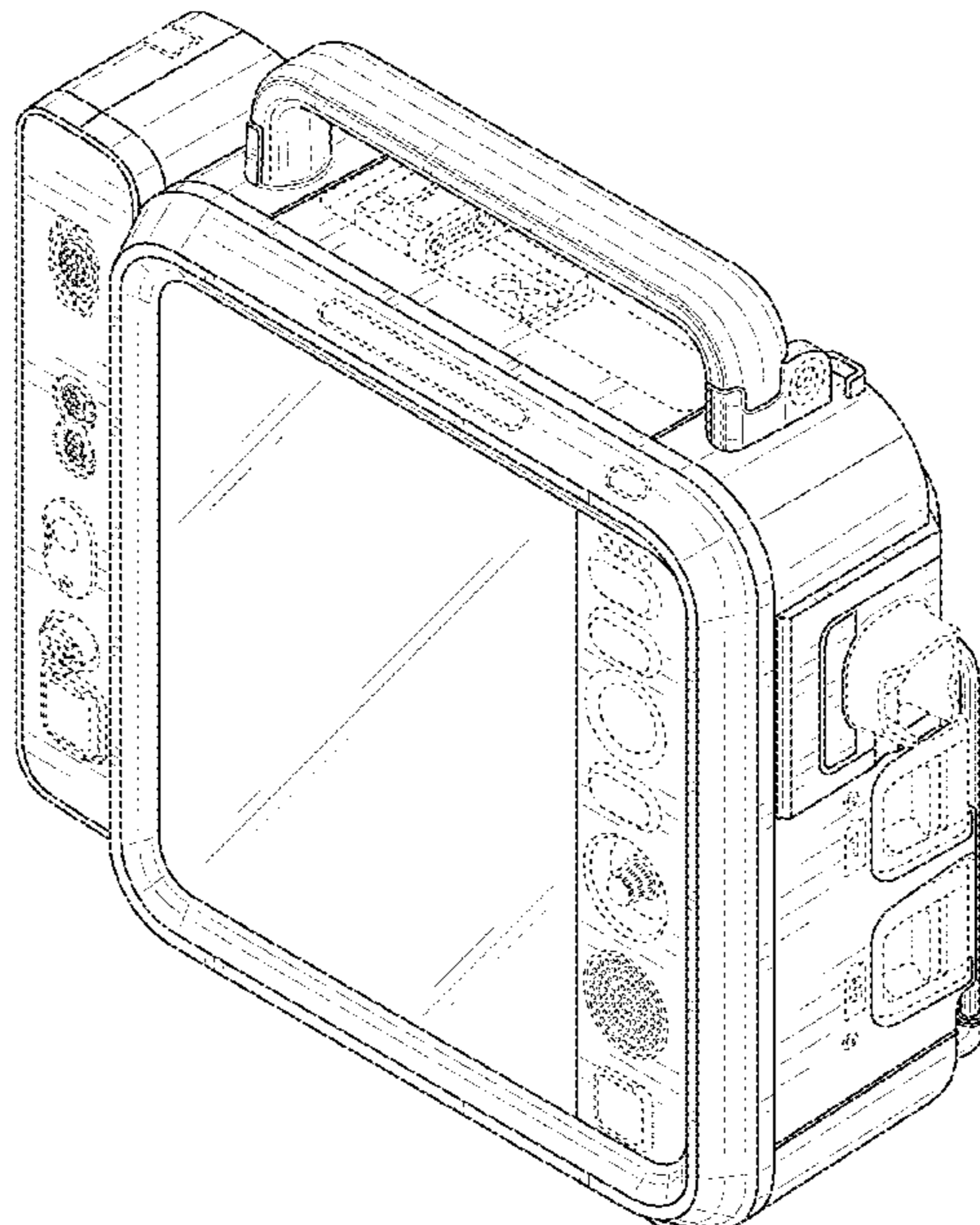
The ornamental design for a medical device, as shown and described.

DESCRIPTION

FIG. 1 is a top, front, right-side perspective view of a medical device;
FIG. 2 is a bottom, back, left-side perspective view thereof;
FIG. 3 is a front view thereof;
FIG. 4 is a back view thereof;
FIG. 5 is a right-side view thereof;
FIG. 6 is a left-side view thereof;
FIG. 7 is a top view thereof; and,
FIG. 8 is a bottom view thereof.
The dashed broken lines depict portions of the medical device that form no part of the claimed design.

(**) Term: **15 Years**
(21) Appl. No.: **29/756,874**
(22) Filed: **Oct. 30, 2020**
(51) **LOC (14) Cl.** **24-01**
(52) **U.S. Cl.**
USPC **D24/186**
(58) **Field of Classification Search**
USPC D24/107, 165, 167, 168, 169, 185, 186, D24/187
CPC .. A61N 1/3904; A61N 1/3925; A61N 1/3968; A61N 1/3993
See application file for complete search history.

1 Claim, 8 Drawing Sheets



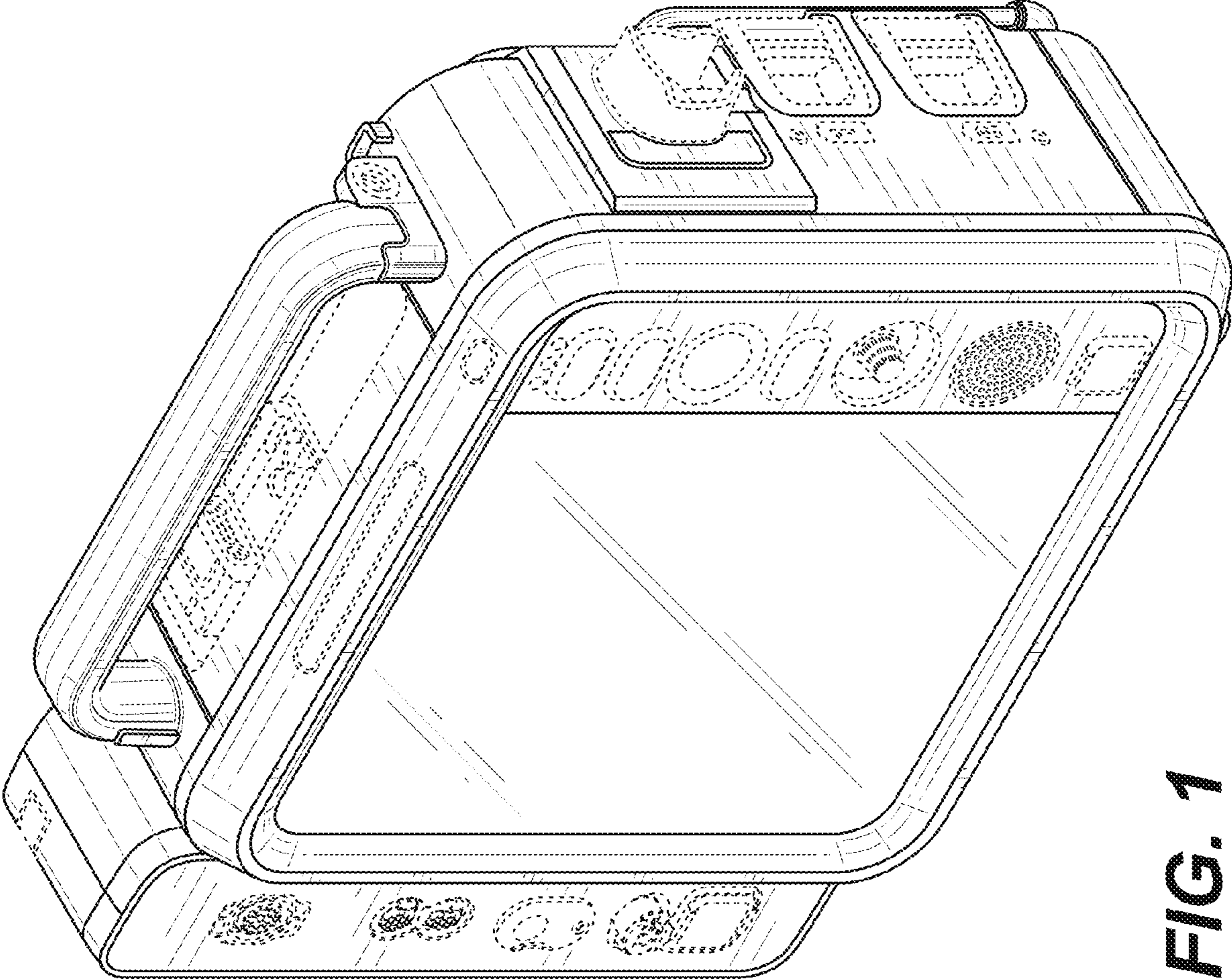


FIG. 1

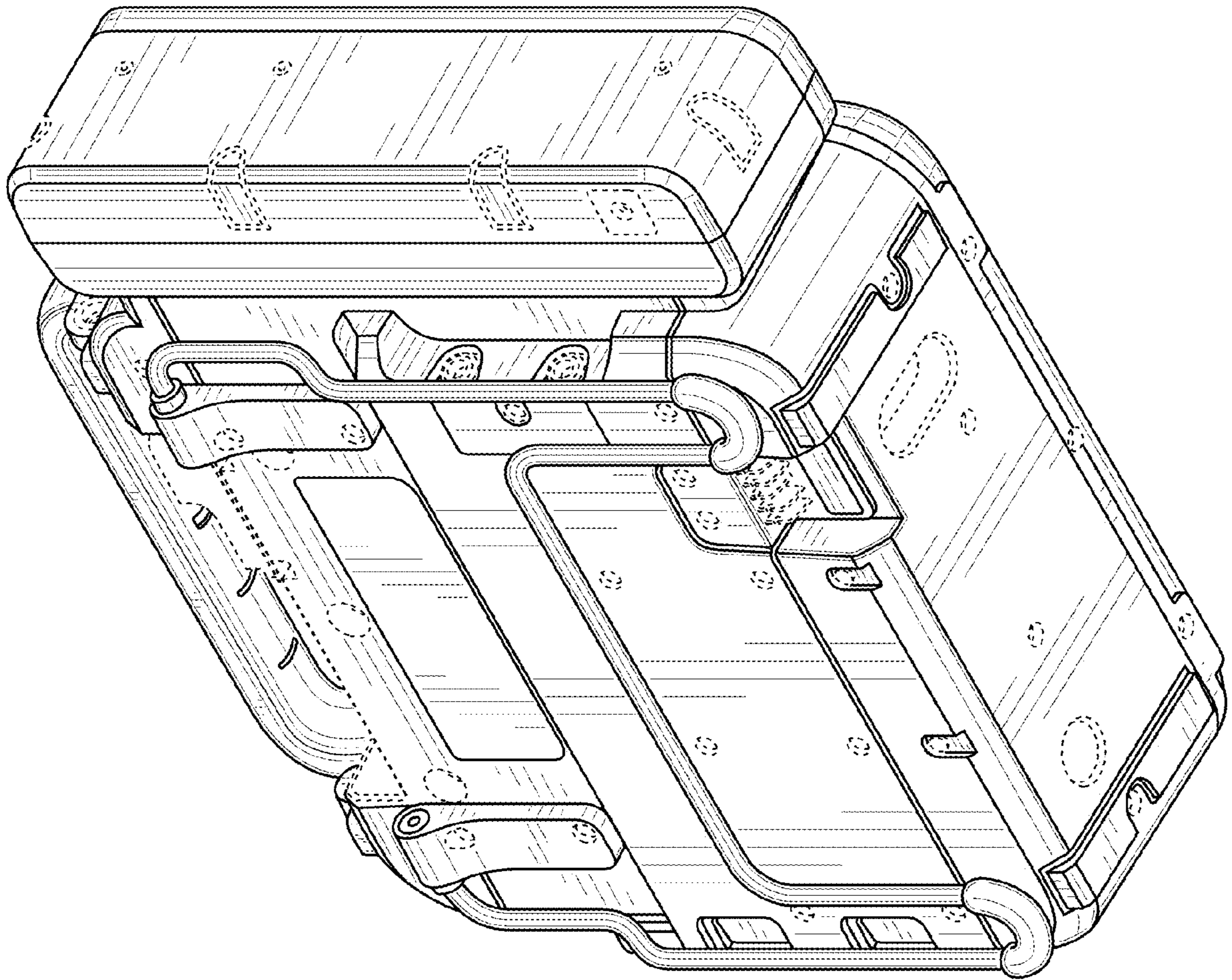


FIG. 2

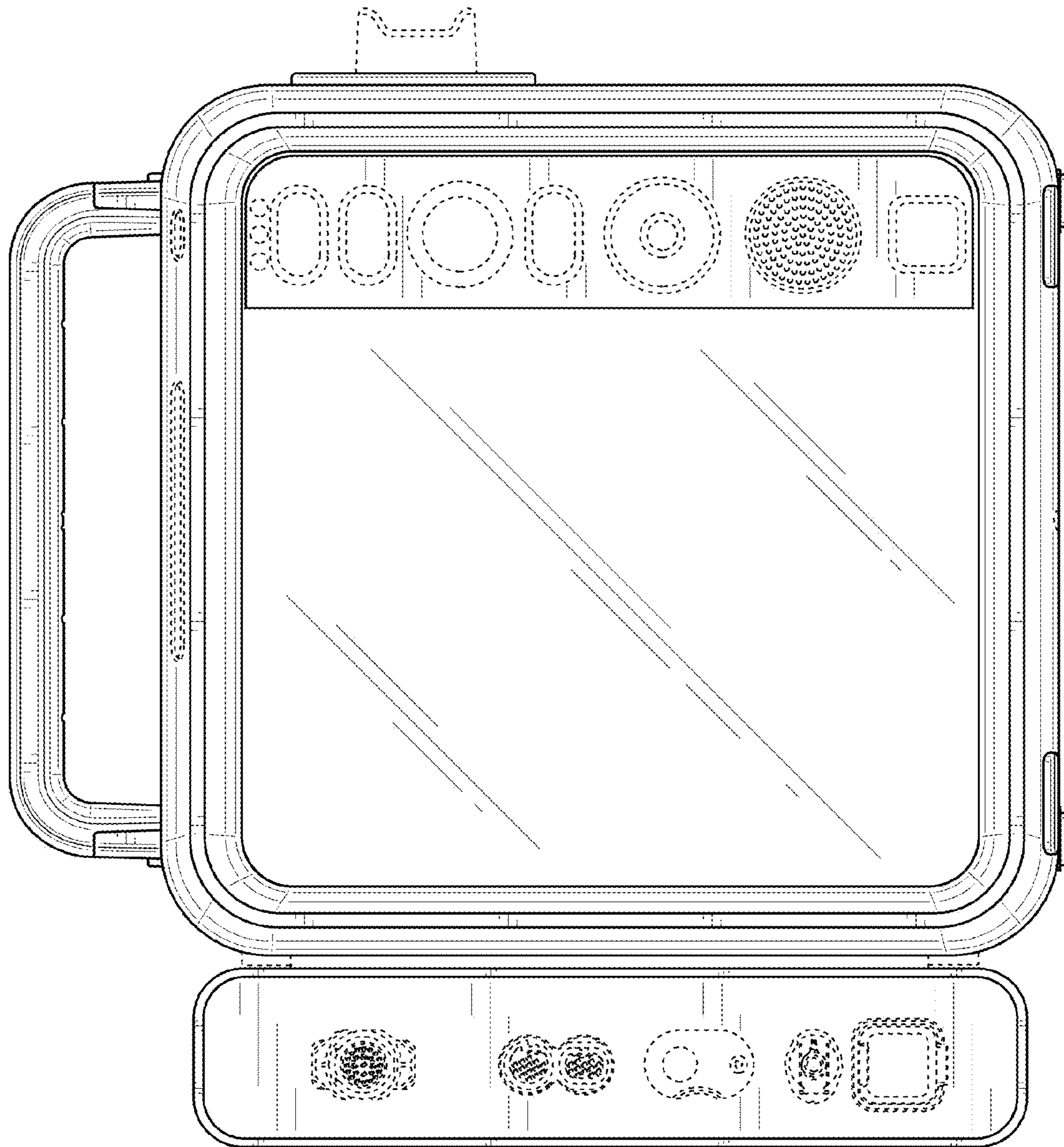


FIG. 3

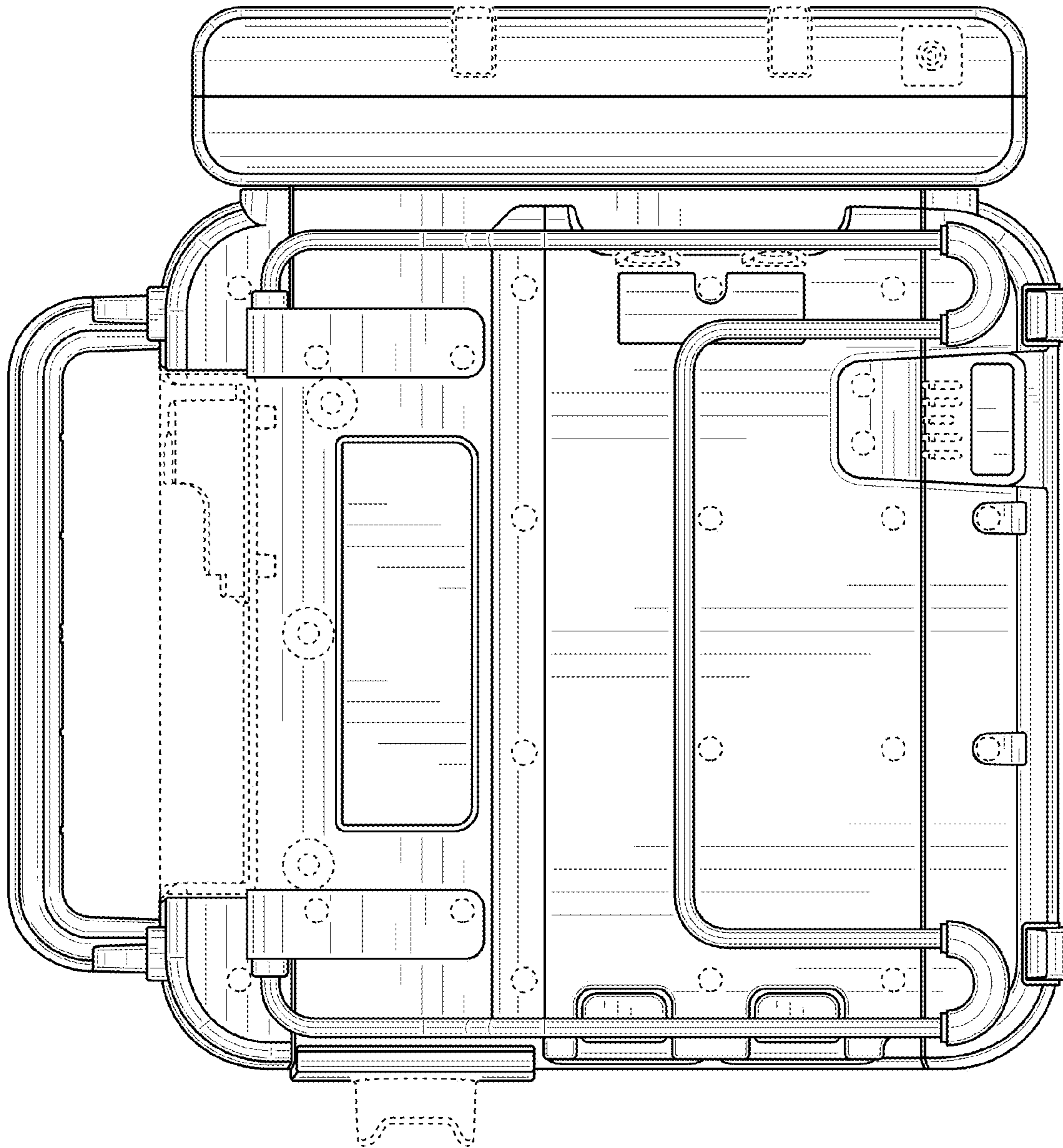


FIG. 4

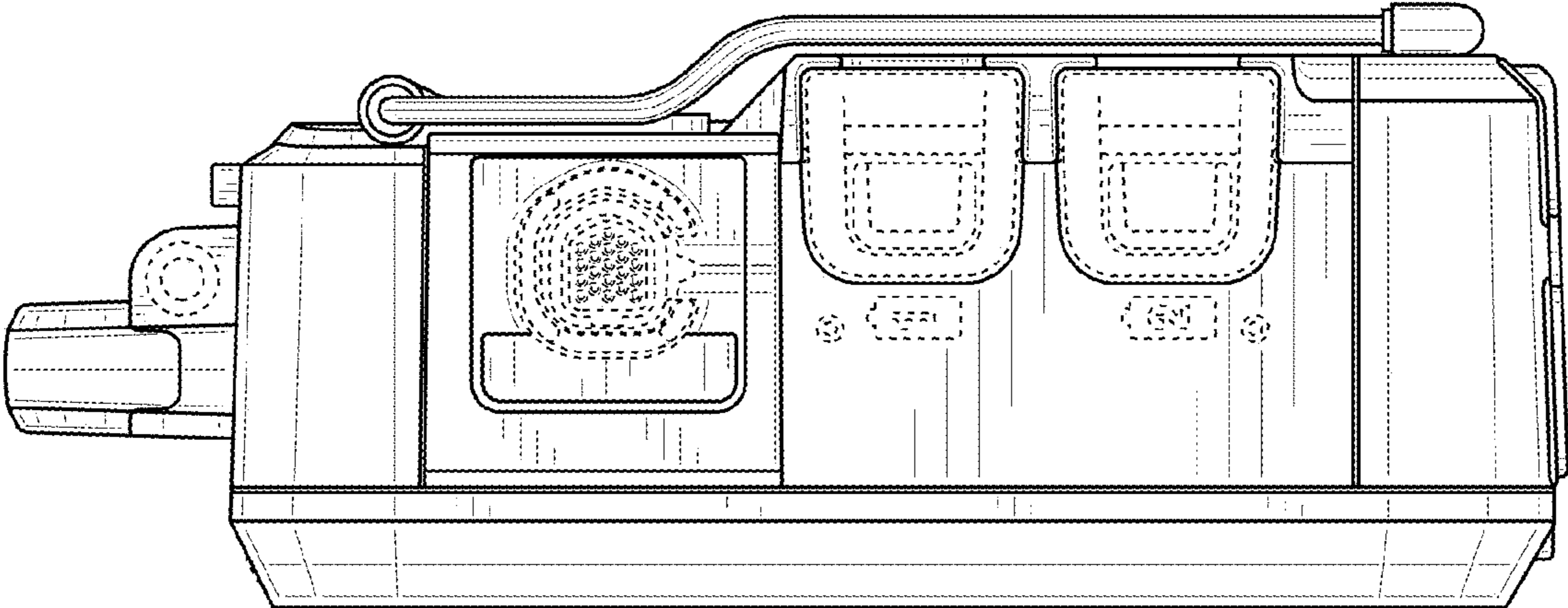


FIG. 5

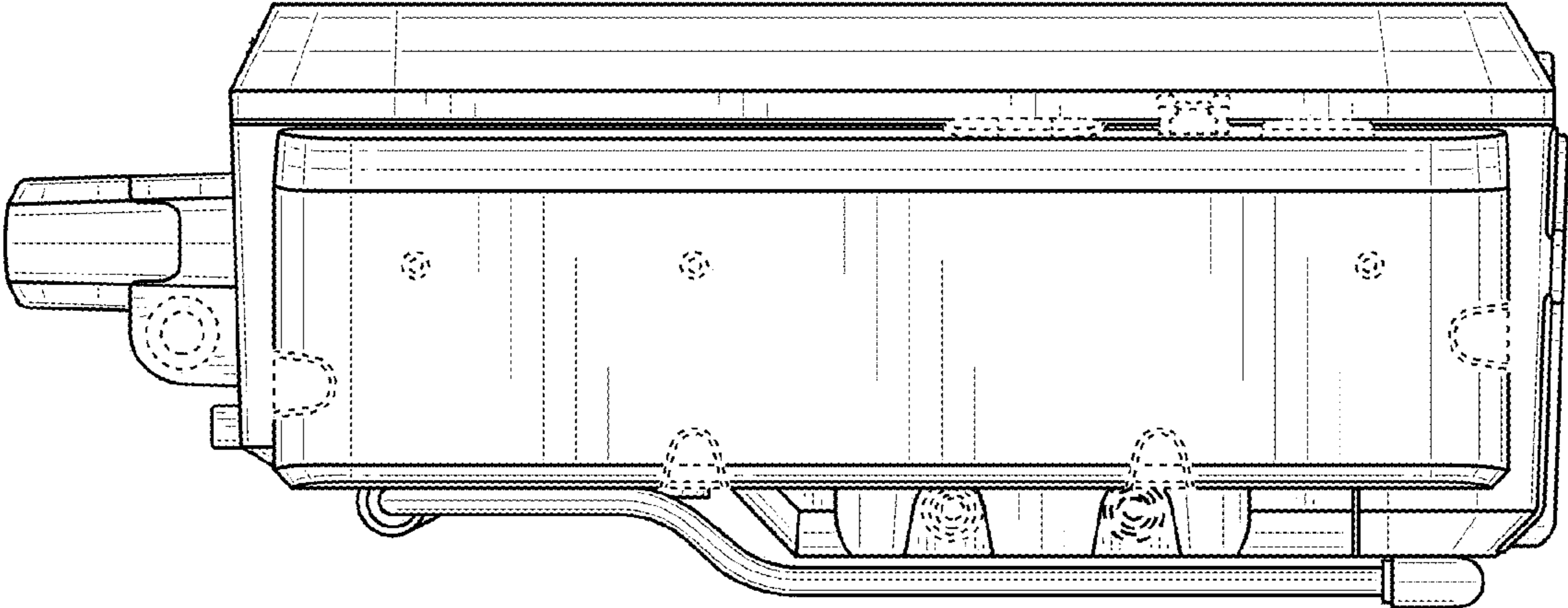


FIG. 6

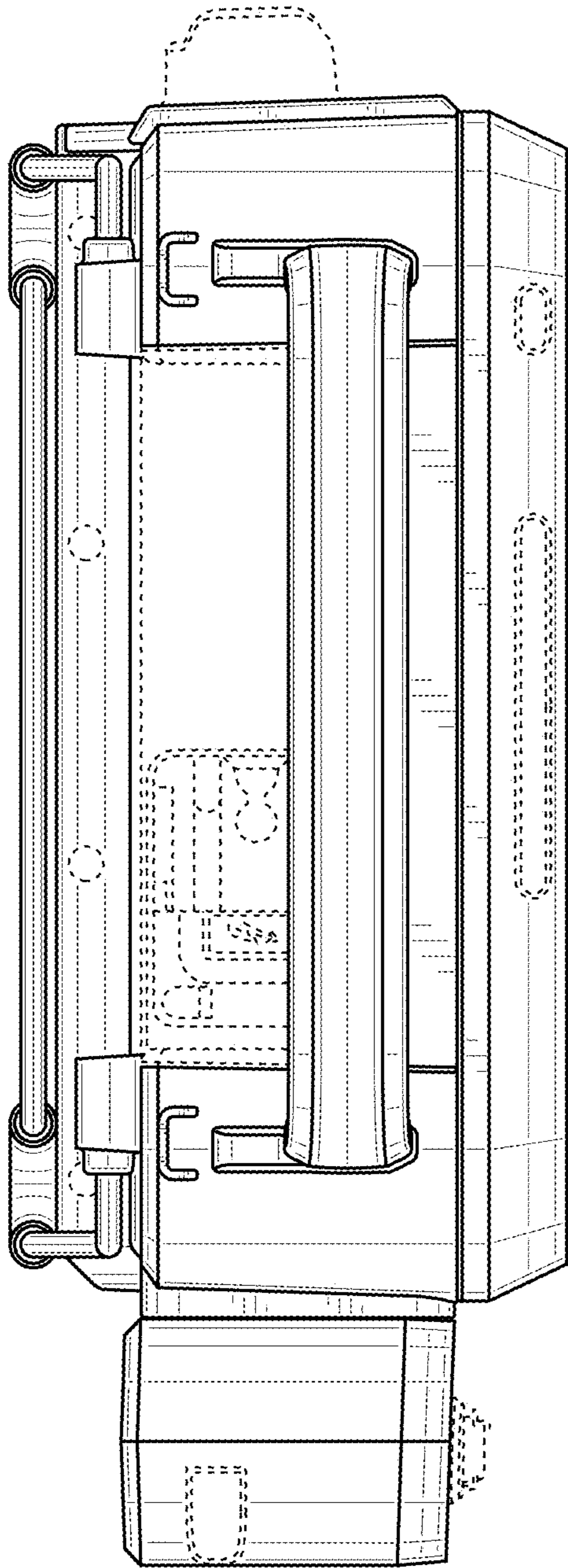


FIG. 7

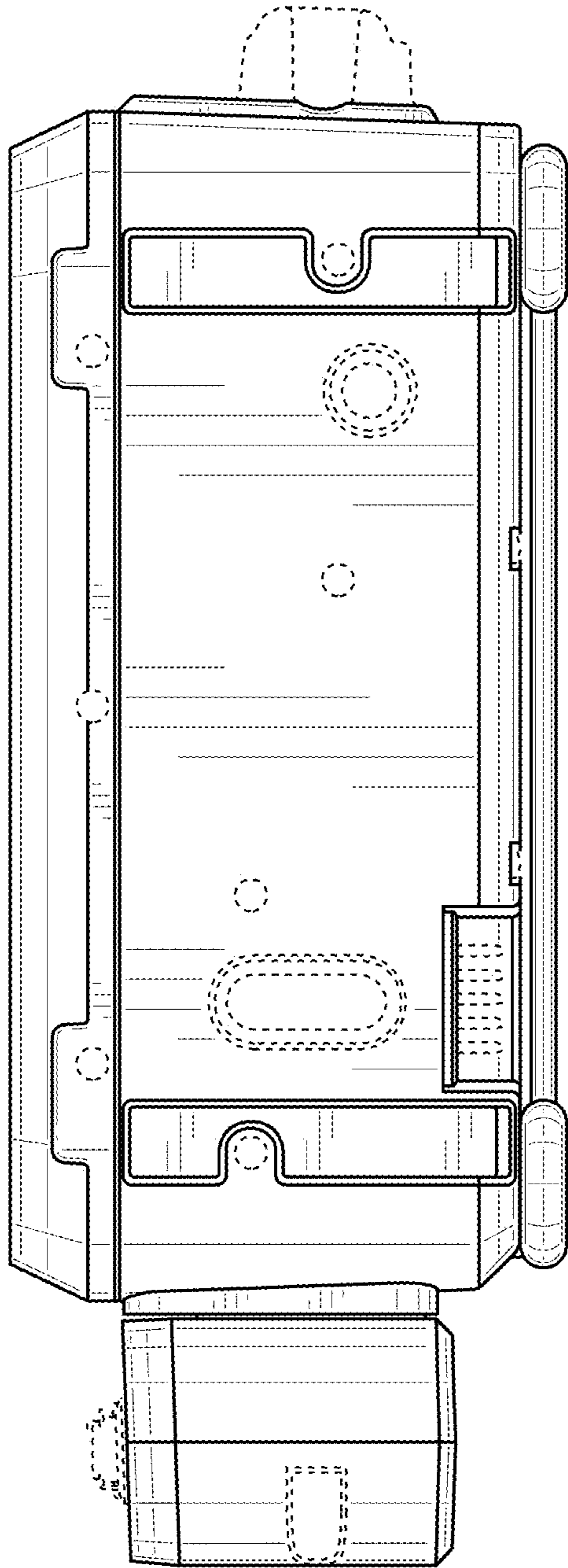


FIG. 8