



US00D983378S

(12) **United States Design Patent**  
**Zhang**

(10) **Patent No.:** **US D983,378 S**  
(45) **Date of Patent:** **\*\* Apr. 11, 2023**

- (54) **HEARING AID**
- (71) Applicant: **Xiamen Retone Hearing Technology Co., Ltd.**, Xiamen (CN)
- (72) Inventor: **Chengxiang Zhang**, Xiamen (CN)
- (73) Assignee: **XIAMEN RETONE HEARING TECHNOLOGY CO., LTD.**, Xiamen (CN)
- (\*\*) Term: **15 Years**
- (21) Appl. No.: **29/808,149**
- (22) Filed: **Sep. 17, 2021**
- (51) **LOC (14) Cl.** ..... **24-99**
- (52) **U.S. Cl.**  
USPC ..... **D24/174**
- (58) **Field of Classification Search**  
USPC ..... D24/173-175; D14/205, 223  
CPC ..... H04R 2225/021; H04R 2225/023; H04R 2225/025; H04R 25/604; A45F 5/004; A45F 2205/0516; H01L 23/02; H01Q 7/00  
See application file for complete search history.

D928,124	S	*	8/2021	Liu	.....	D14/223
D930,839	S	*	9/2021	Zhang	.....	D24/174
D952,861	S	*	5/2022	Xia	.....	D24/174
11,350,227	B2	*	5/2022	Stewart	.....	H04R 25/656
11,405,709	B1	*	8/2022	Zhang	.....	H04R 25/604
D968,368	S	*	11/2022	Li	.....	D14/223
2004/0086142	A1	*	5/2004	Morales	.....	H04R 25/602 381/322

\* cited by examiner

*Primary Examiner* — Anhdao Doan

(74) *Attorney, Agent, or Firm* — Bayramoglu Law Offices LLC

(57) **CLAIM**

The ornamental design for a hearing aid, as shown and described.

**DESCRIPTION**

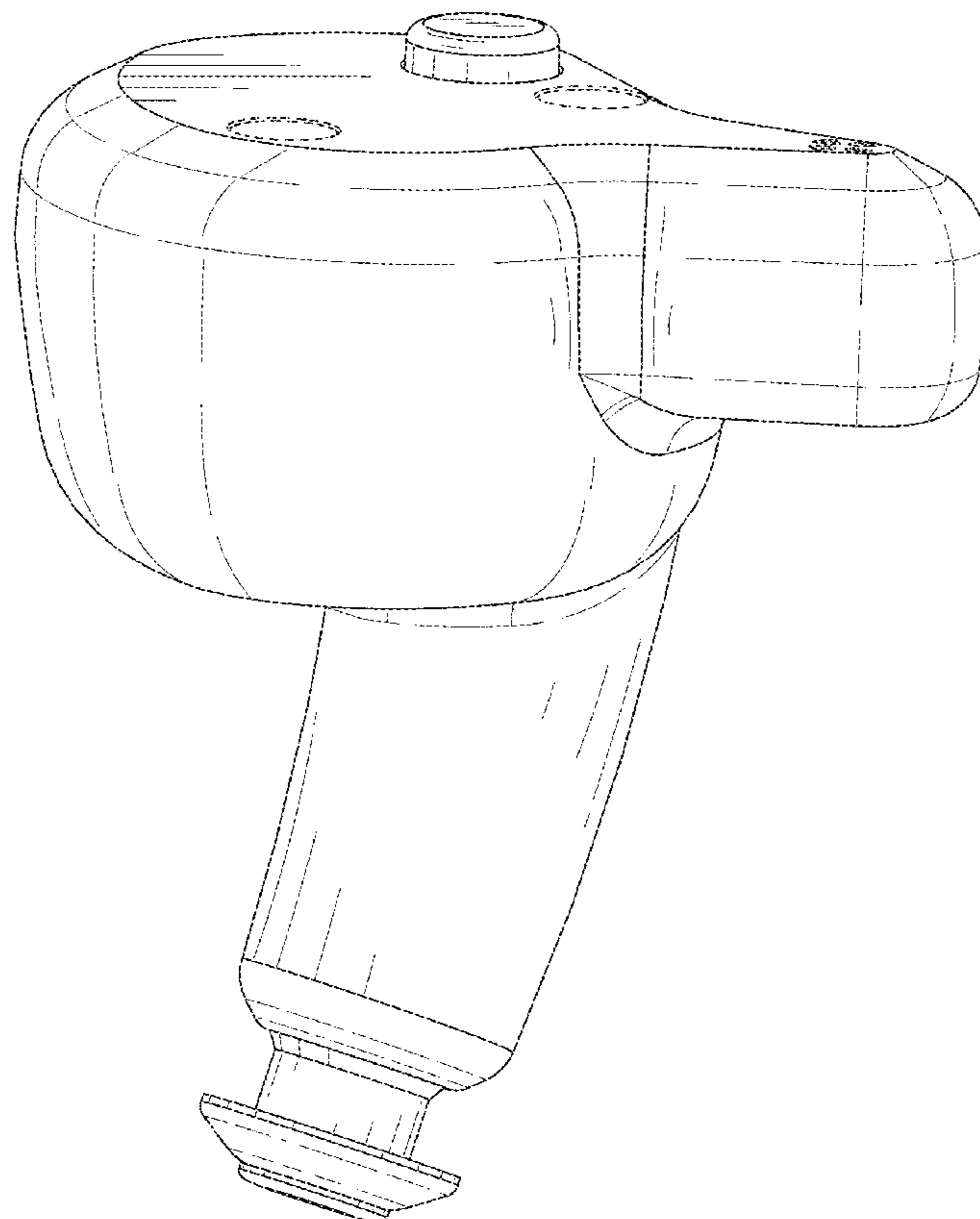
FIG. 1 is a perspective view of a hearing aid showing my new design;  
 FIG. 2 is another perspective view thereof;  
 FIG. 3 is a front view thereof;  
 FIG. 4 is a rear side view thereof;  
 FIG. 5 is a left side view thereof;  
 FIG. 6 is a right side view thereof;  
 FIG. 7 is a top view thereof; and,  
 FIG. 8 is a bottom view thereof.  
 The broken lines indicate portions of the hearing aid that form no part of the claimed design.

**1 Claim, 8 Drawing Sheets**

(56) **References Cited**

**U.S. PATENT DOCUMENTS**

D611,606	S	*	3/2010	Vaterlaus	.....	D24/174
10,904,673	B1	*	1/2021	Zhang	.....	H04R 25/602



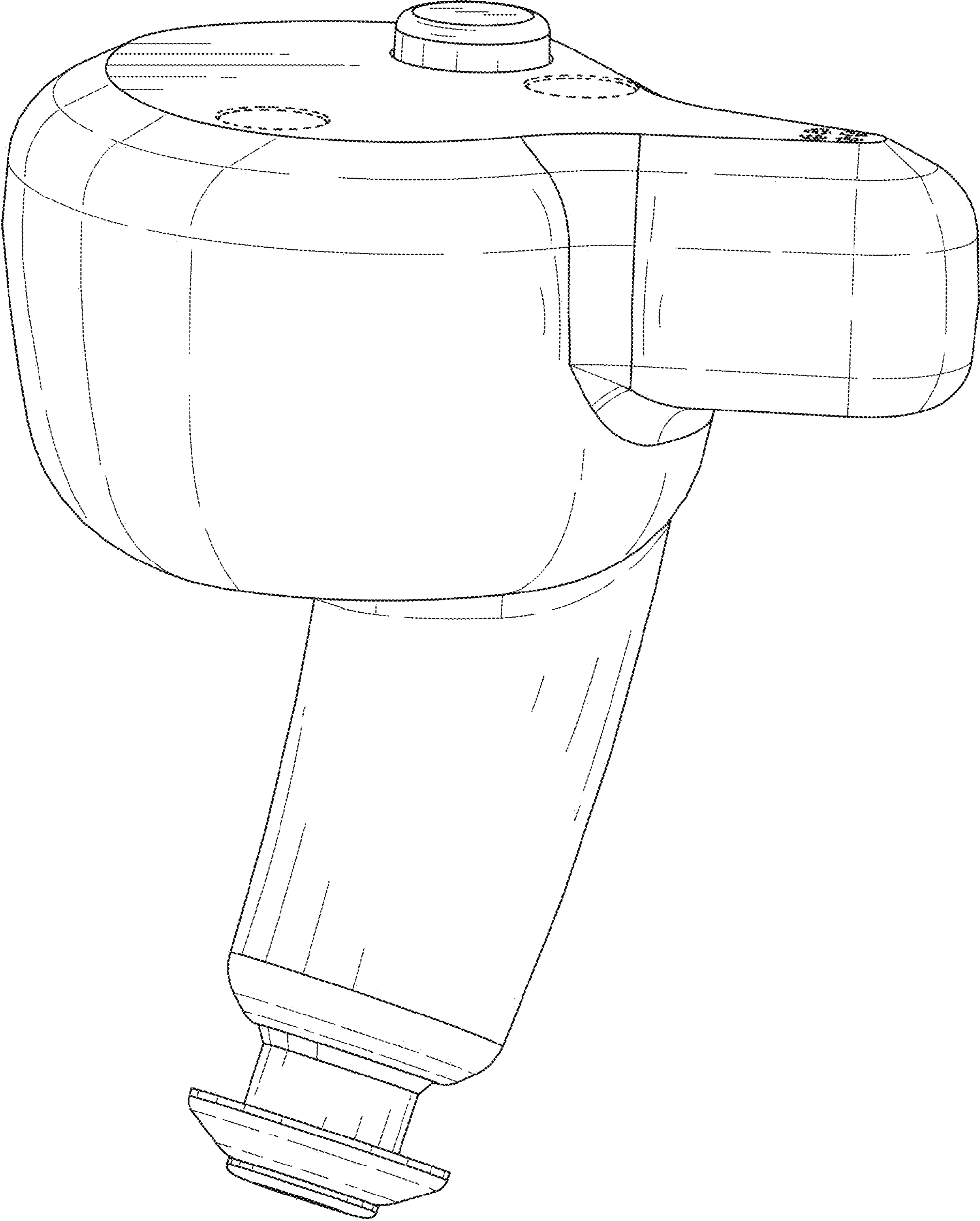


FIG. 1

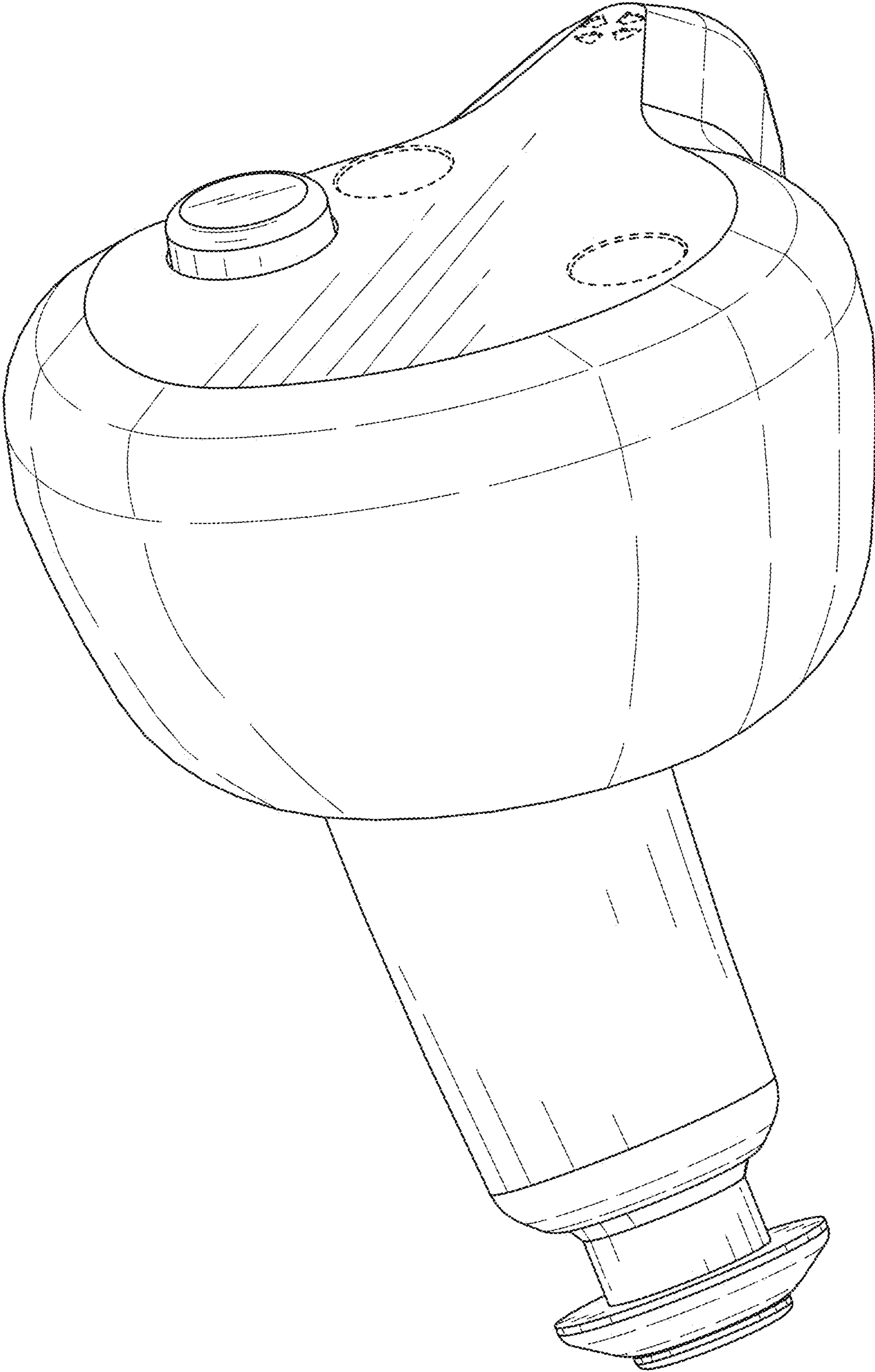


FIG. 2

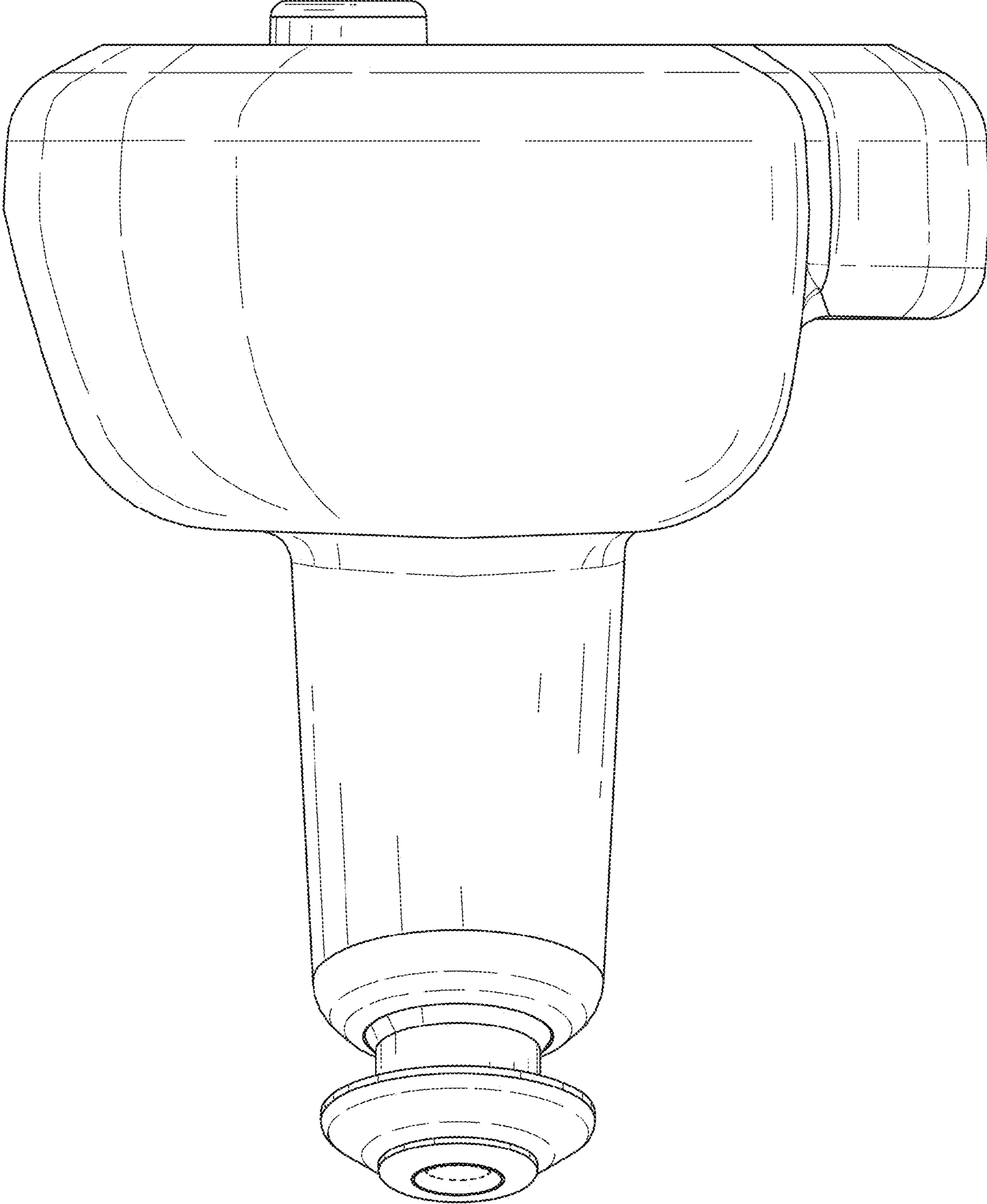


FIG. 3

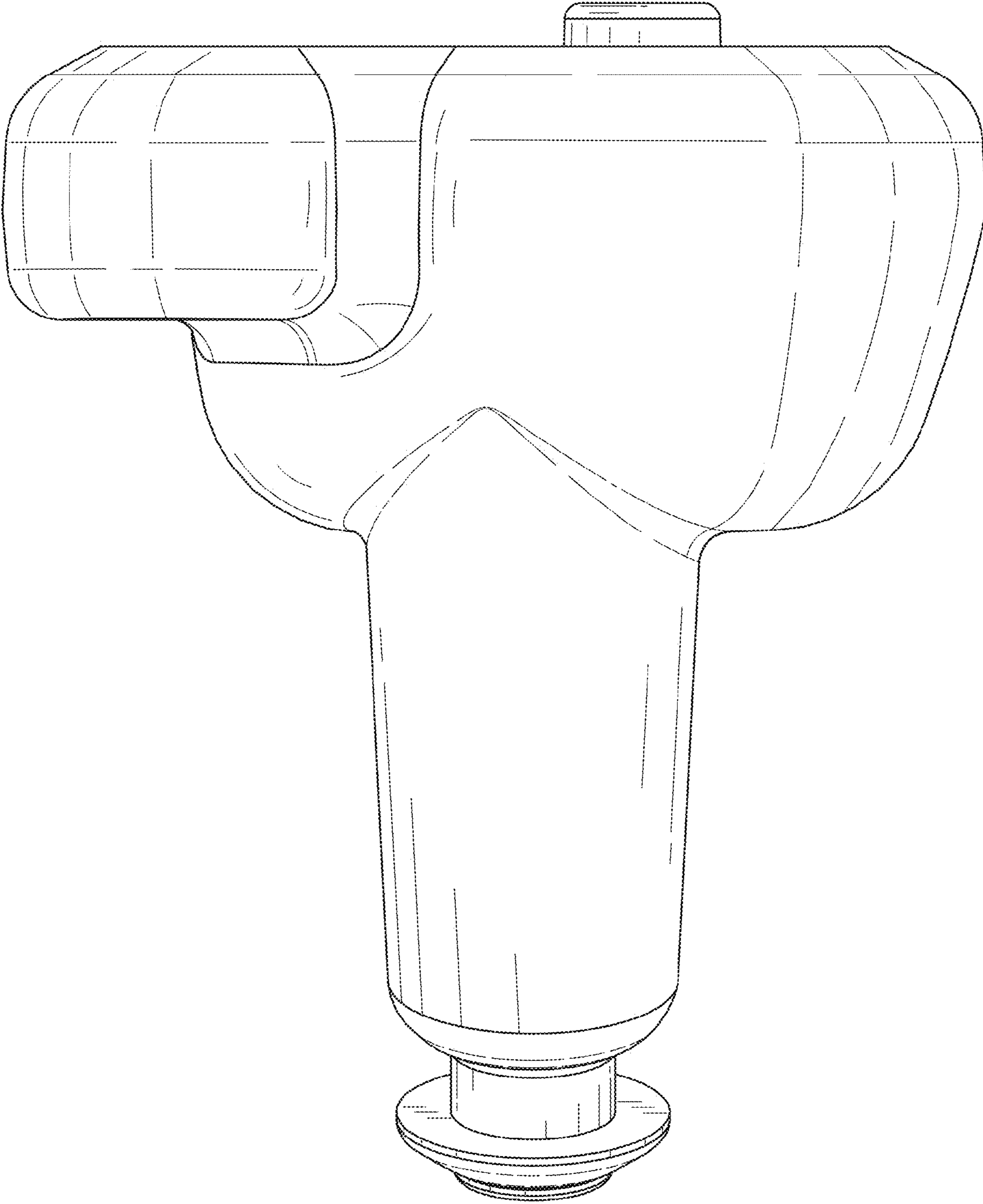


FIG. 4

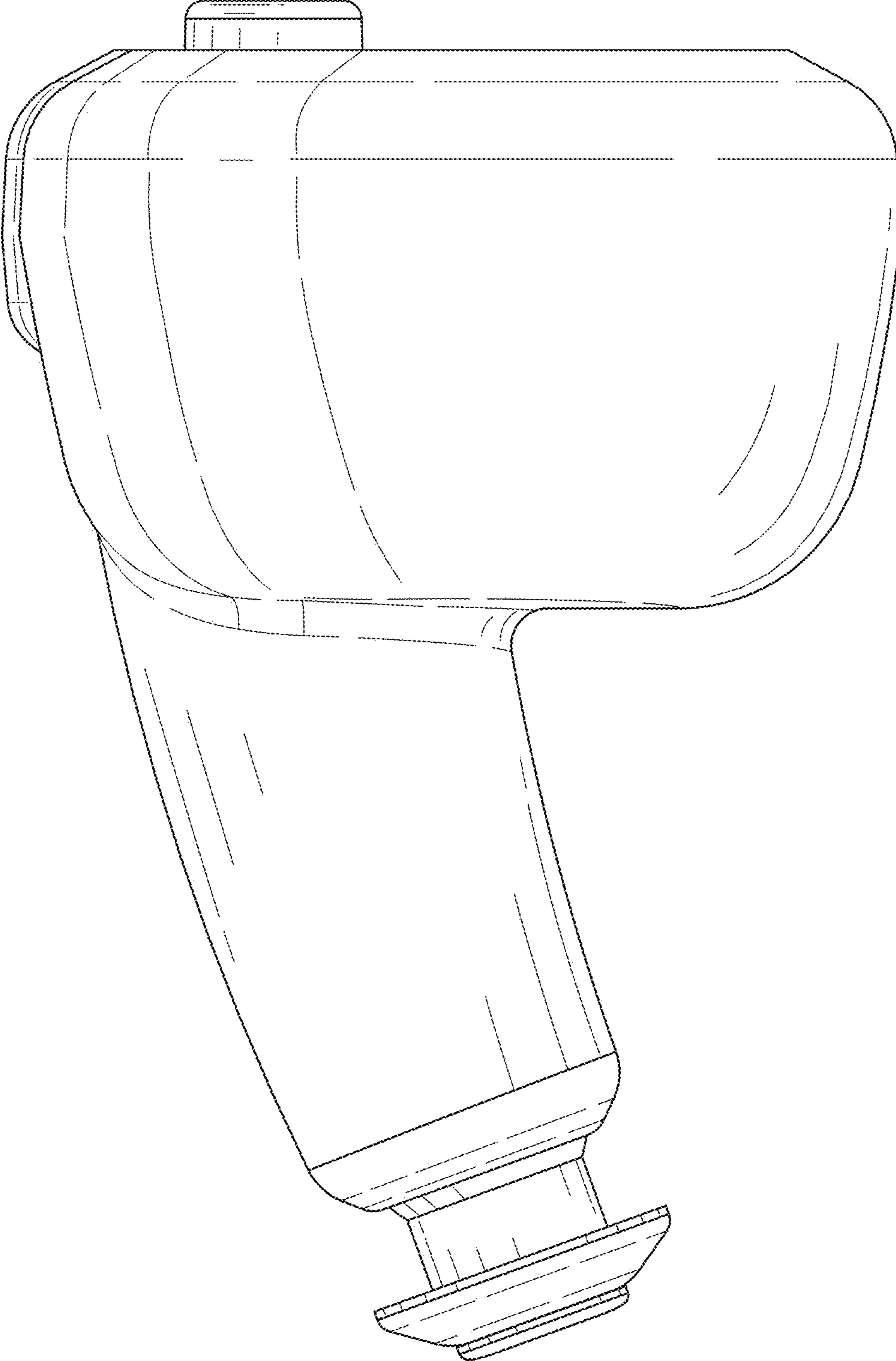


FIG. 5

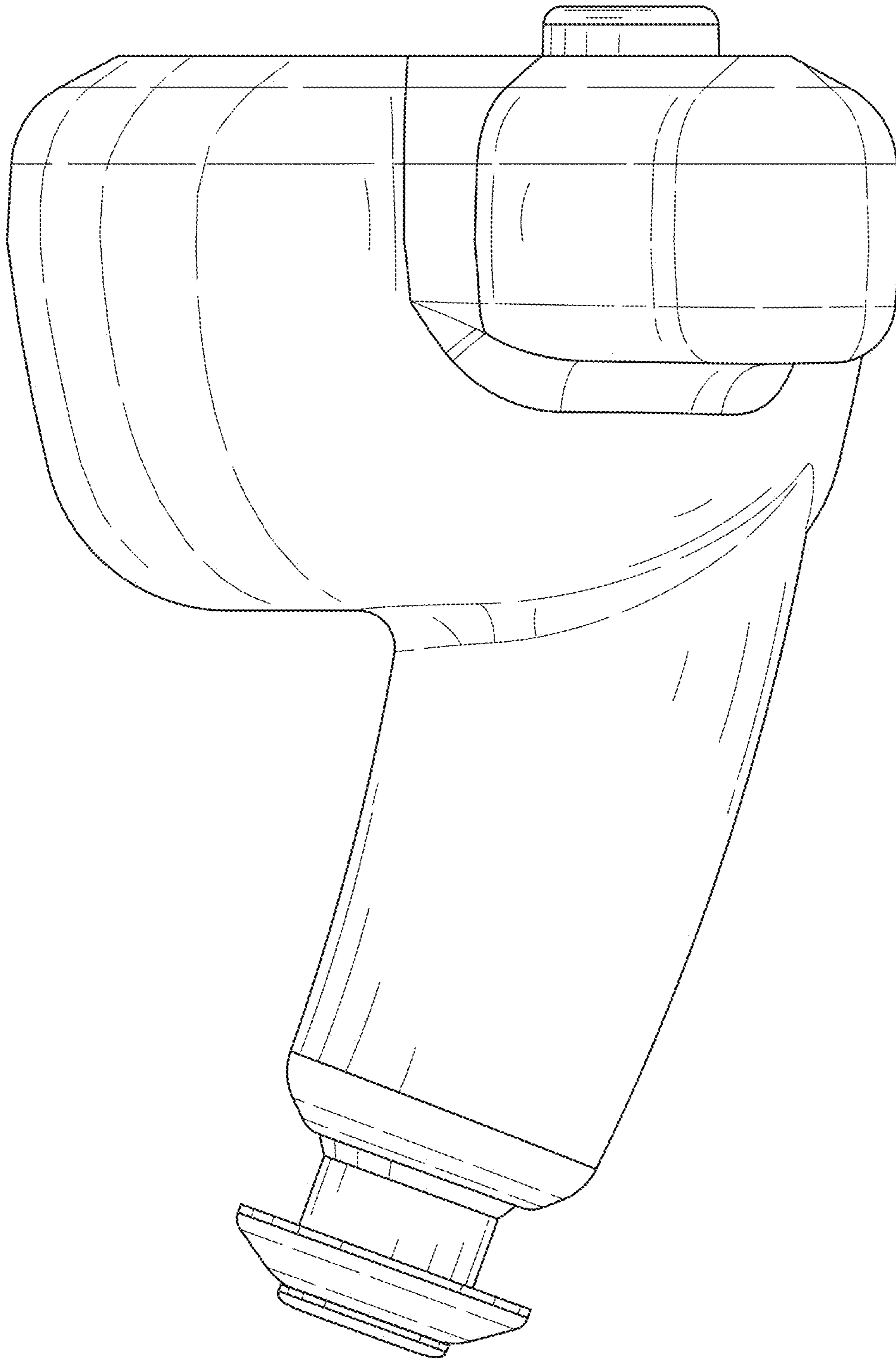


FIG. 6

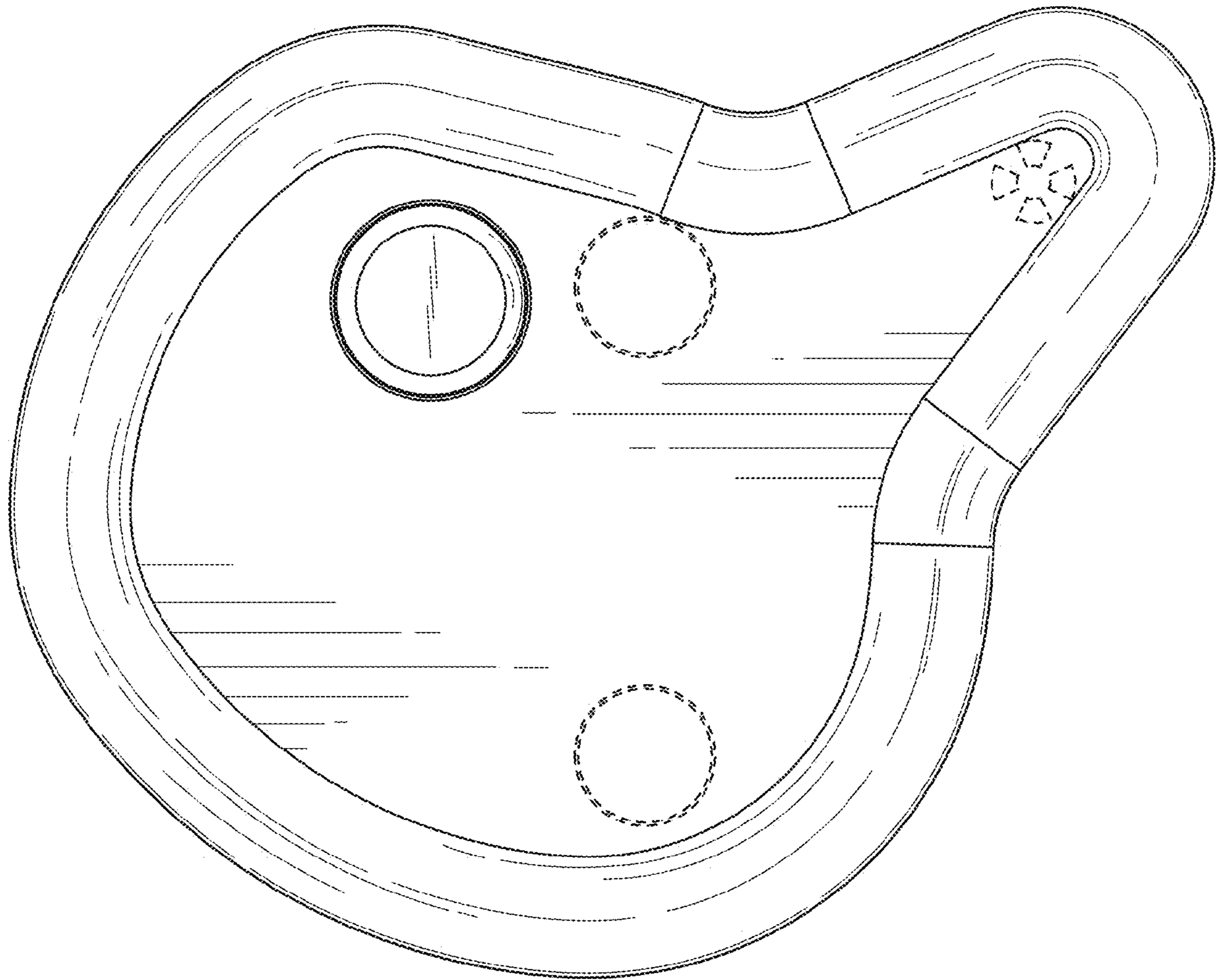


FIG. 7



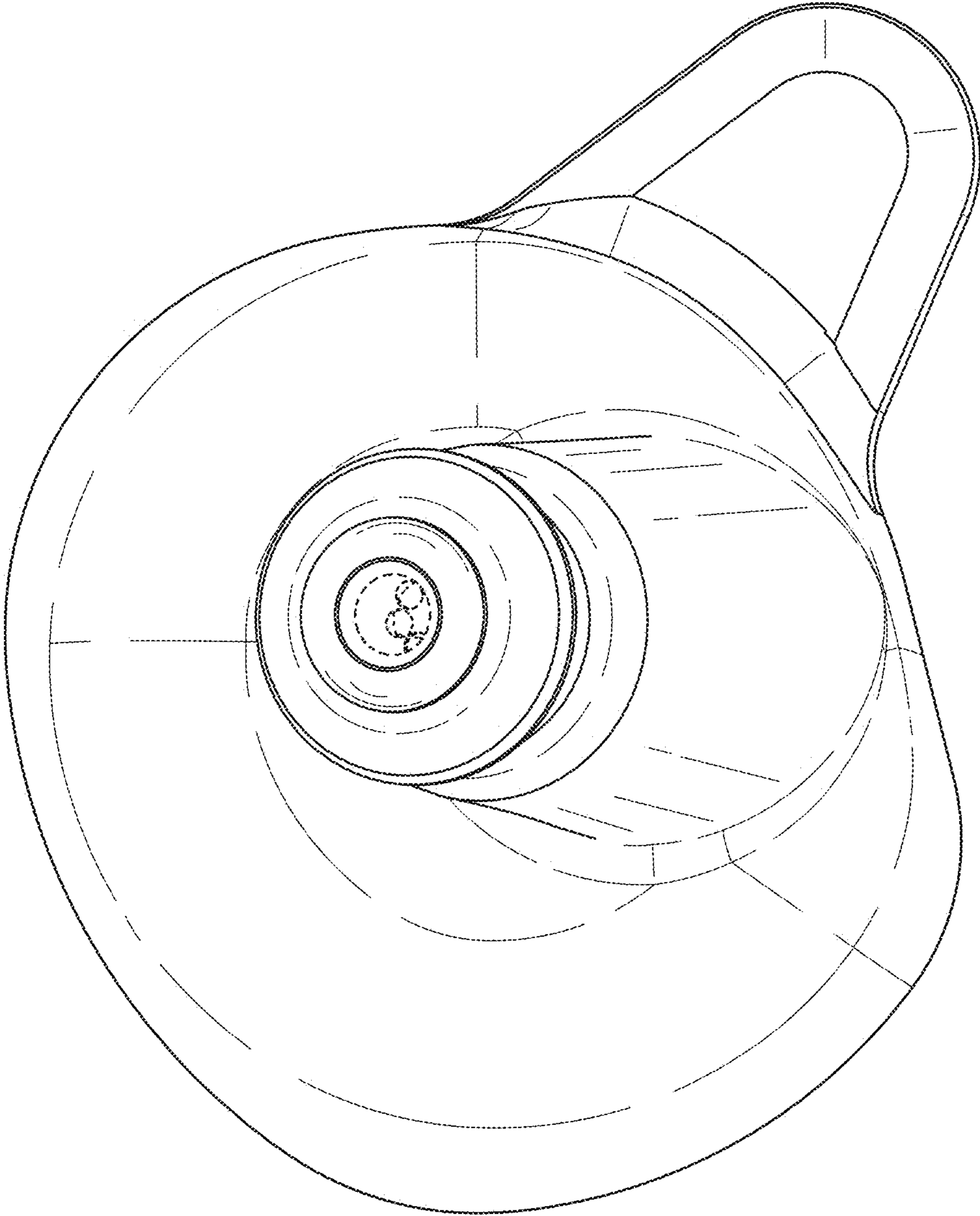


FIG. 8