



US00D983376S

(12) **United States Design Patent**
Chen

(10) **Patent No.:** **US D983,376 S**
(45) **Date of Patent:** **** Apr. 11, 2023**

- (54) **BLOOD PRESSURE MONITOR**
- (71) Applicant: **Hetaida Technology Co., Ltd.**,
Dongguan (CN)
- (72) Inventor: **Zhenguang Chen**, Dongguan (CN)
- (73) Assignee: **HETAIDA TECHNOLOGY CO., LTD.**, Dongguan (CN)
- (**) Term: **15 Years**
- (21) Appl. No.: **29/796,368**
- (22) Filed: **Jun. 24, 2021**
- (51) **LOC (14) Cl.** **24-02**
- (52) **U.S. Cl.**
USPC **D24/165**
- (58) **Field of Classification Search**
USPC D24/107, 164–169, 185–187; D10/98;
D14/344
CPC A61B 5/0404; A61B 5/021; A61B 5/024;
A61B 5/02438; A61B 5/681; A61B
5/0402; A61B 2560/0462
See application file for complete search history.

D850,622 S *	6/2019	Noguchi	D24/165
D862,702 S *	10/2019	Nishiyama	D24/165
D922,581 S *	6/2021	Wang	D24/165
D942,628 S *	2/2022	Dai	D24/165
2015/0190064 A1 *	7/2015	Kinoshita	A61B 5/024 600/490

FOREIGN PATENT DOCUMENTS

CN	201930654662.4	*	6/2020
EM	001704362-0001	*	6/2010

* cited by examiner

Primary Examiner — Anhdao Doan

(74) *Attorney, Agent, or Firm* — Leong C. Lei

(57) **CLAIM**

The ornamental design for a blood pressure monitor, as shown and described.

DESCRIPTION

FIG. 1 is a perspective view of a blood pressure monitor showing my present design;
 FIG. 2 is a front view thereof;
 FIG. 3 is a rear view thereof;
 FIG. 4 is a left side view thereof;
 FIG. 5 is a right side view thereof;
 FIG. 6 is a top view thereof; and,
 FIG. 7 is a bottom view thereof.

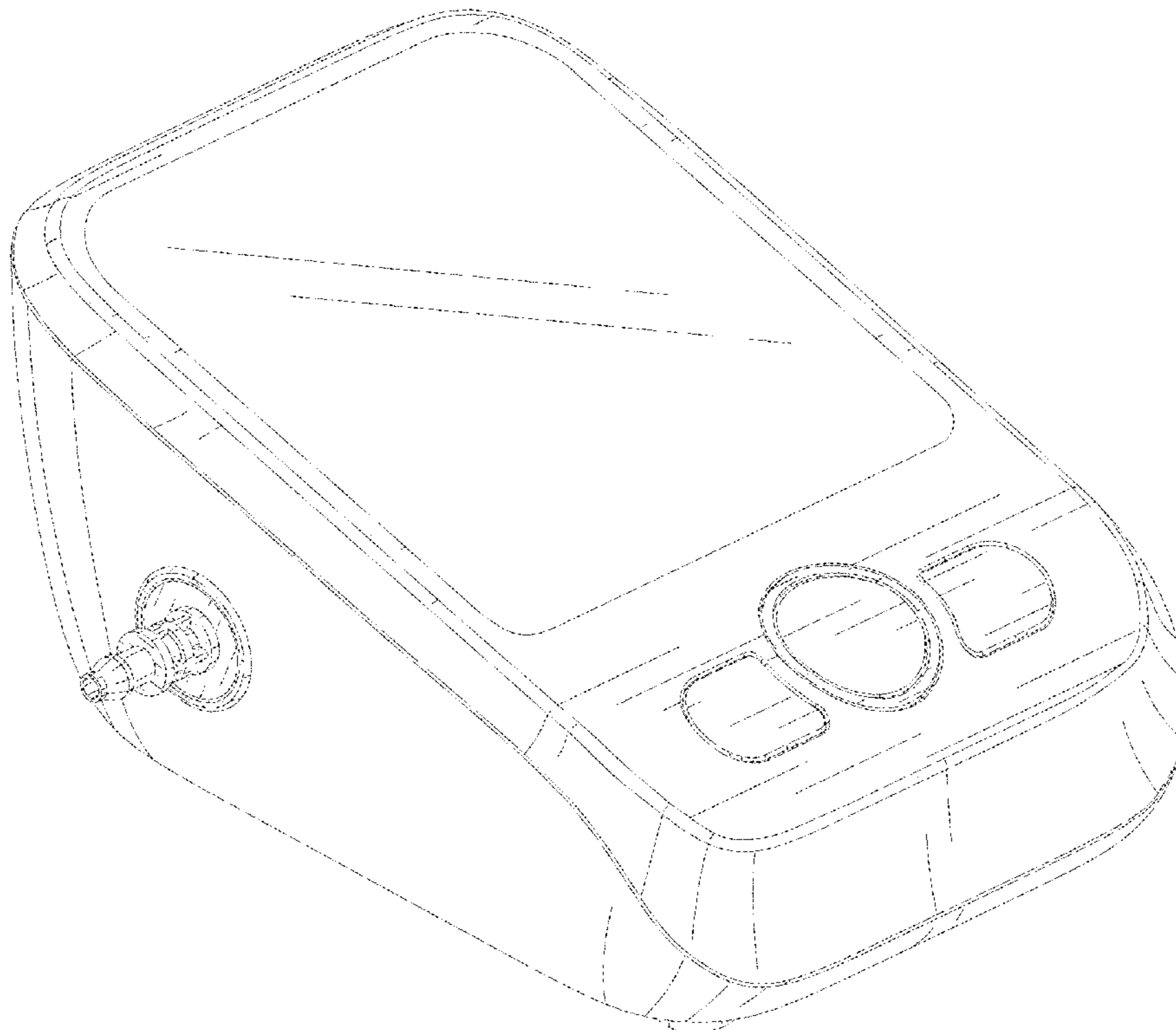
The broken lines in the drawings illustrate portions of the blood pressure monitor that form no part of the claimed design.

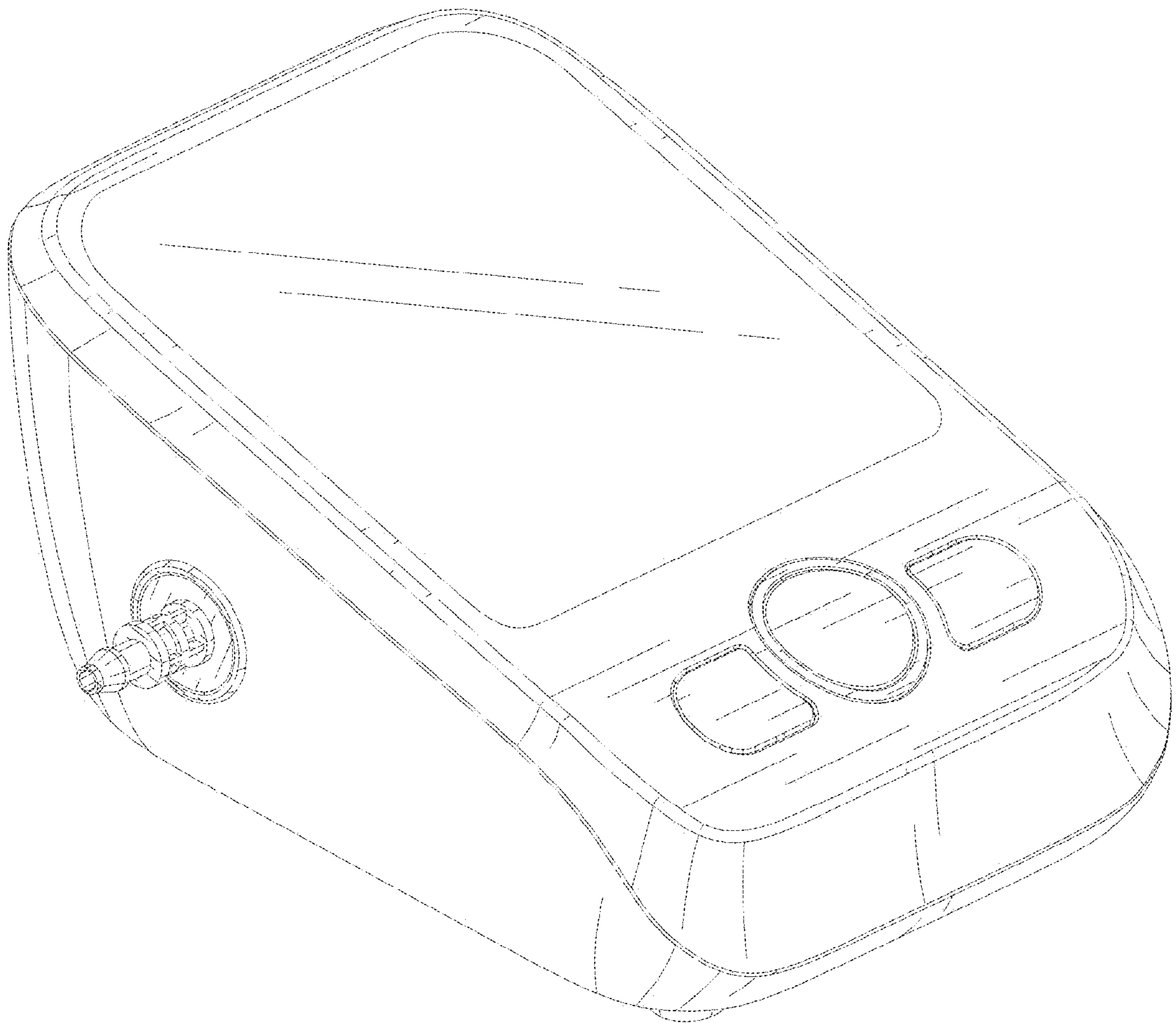
1 Claim, 7 Drawing Sheets

(56) **References Cited**

U.S. PATENT DOCUMENTS

D583,474 S *	12/2008	Mitsunami	D24/165
D722,165 S *	2/2015	Pukall	D24/165
D739,938 S *	9/2015	Schempp	D24/165
D743,035 S *	11/2015	Uozumi	D24/165
D802,768 S *	11/2017	Rider	D24/165





F I G. 1

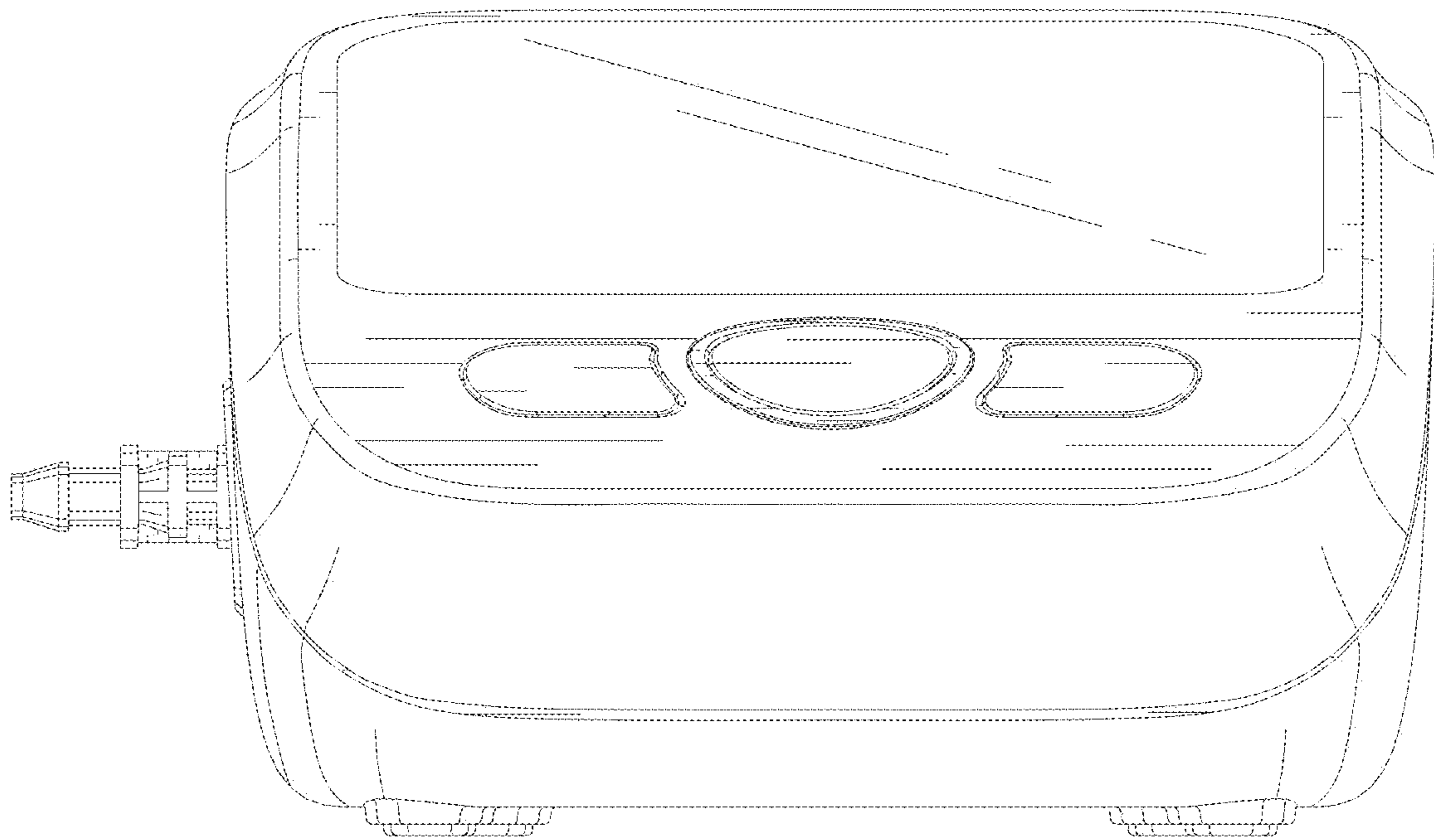
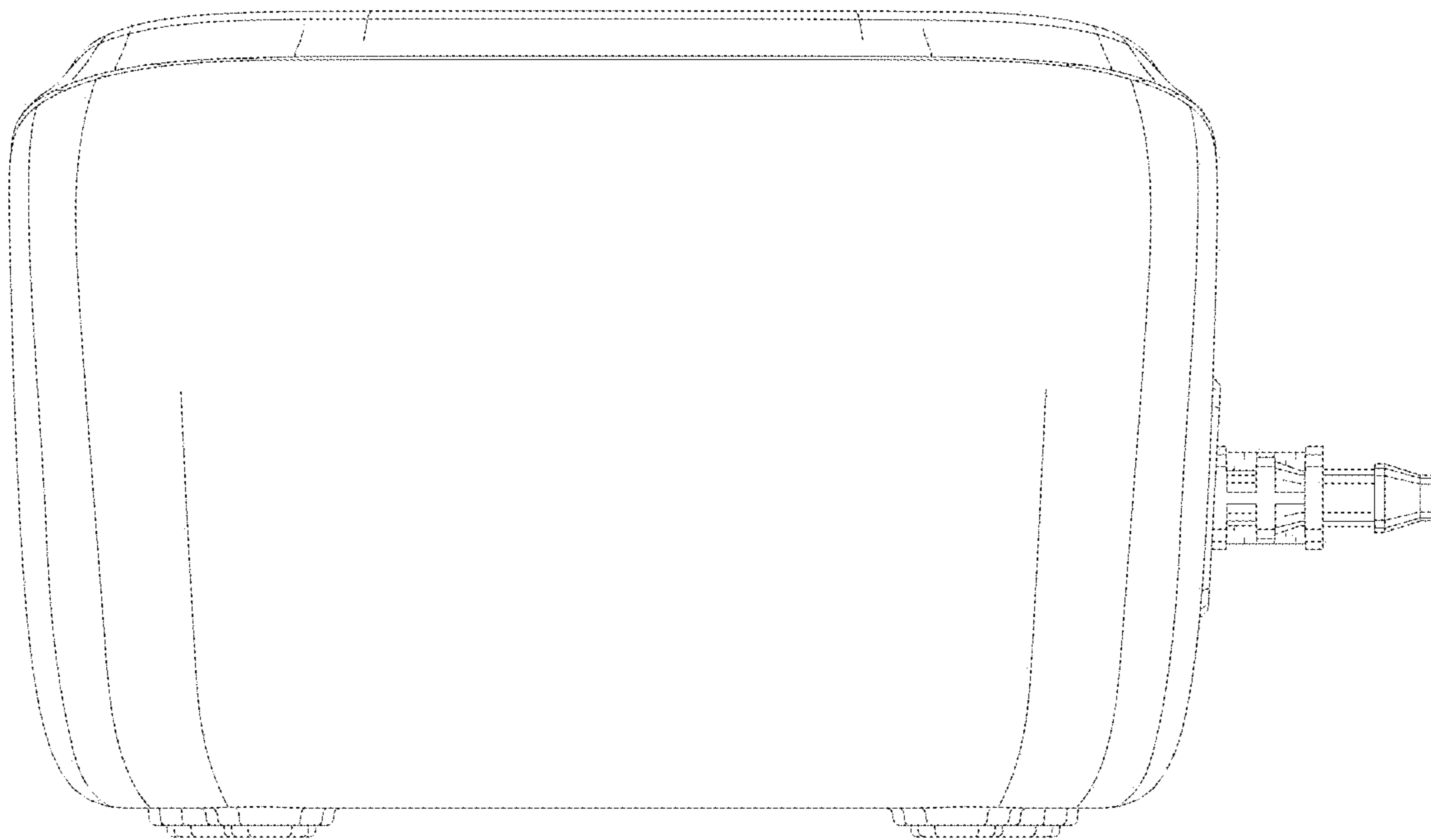


FIG. 2



F I G. 3

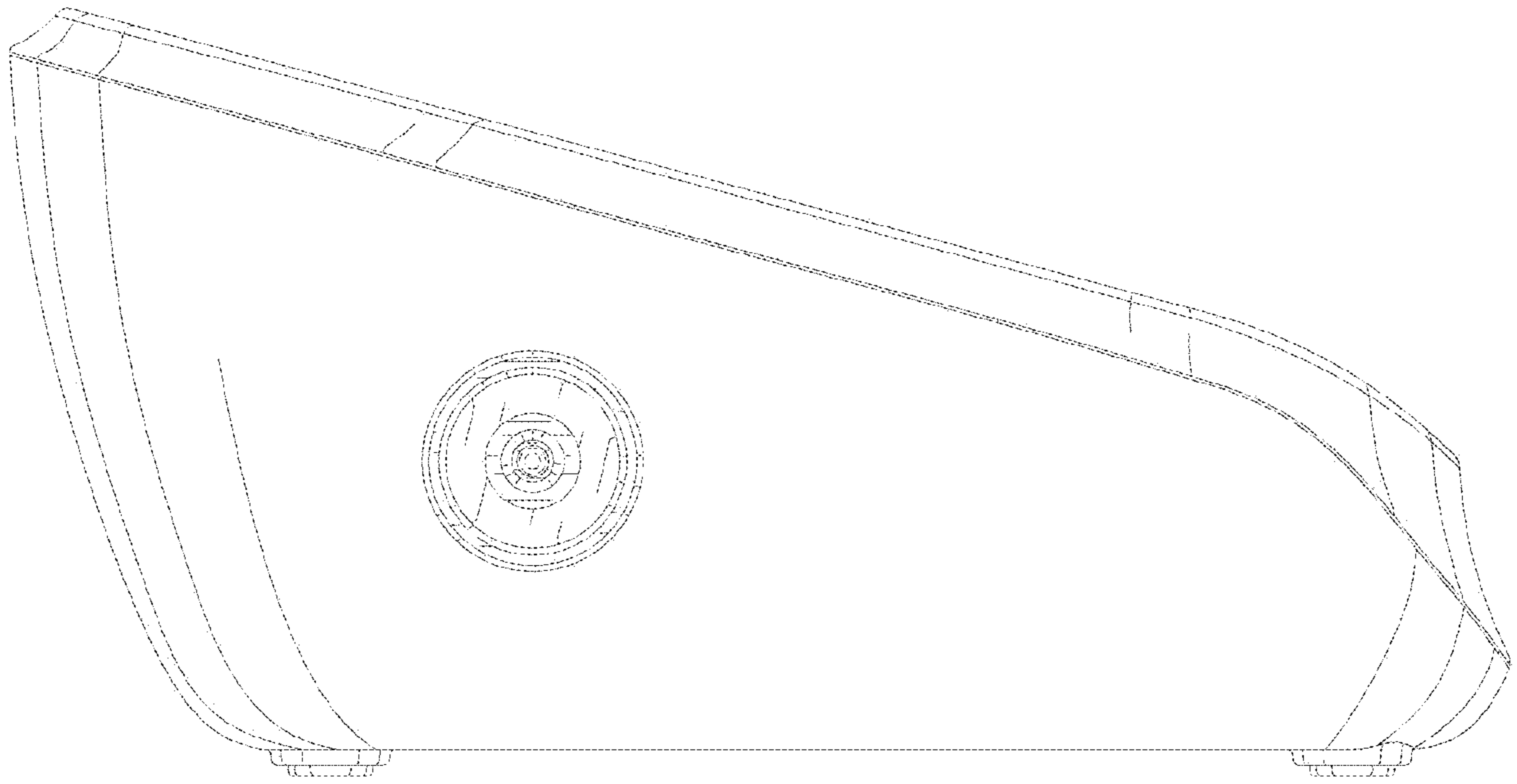


FIG. 4

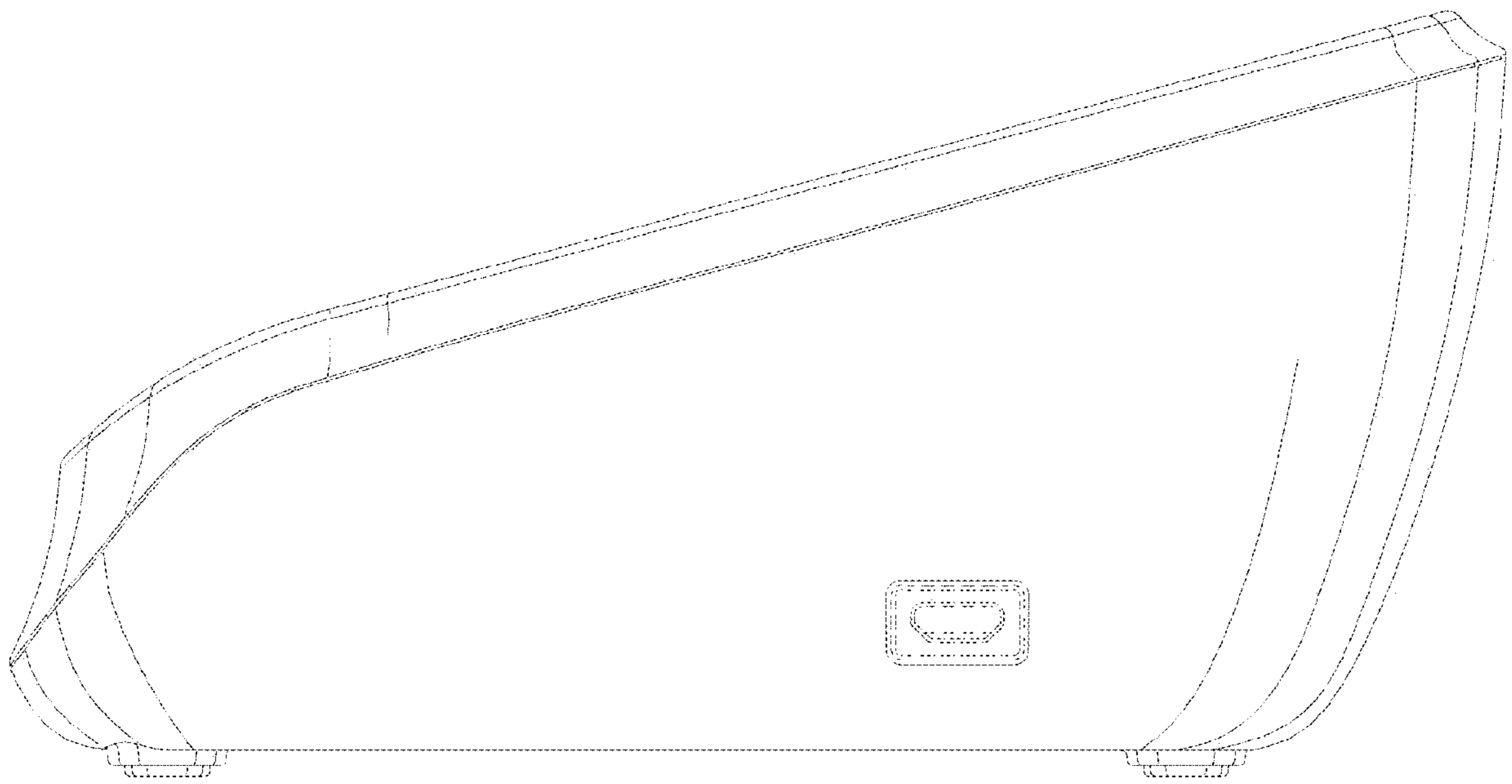


FIG. 5

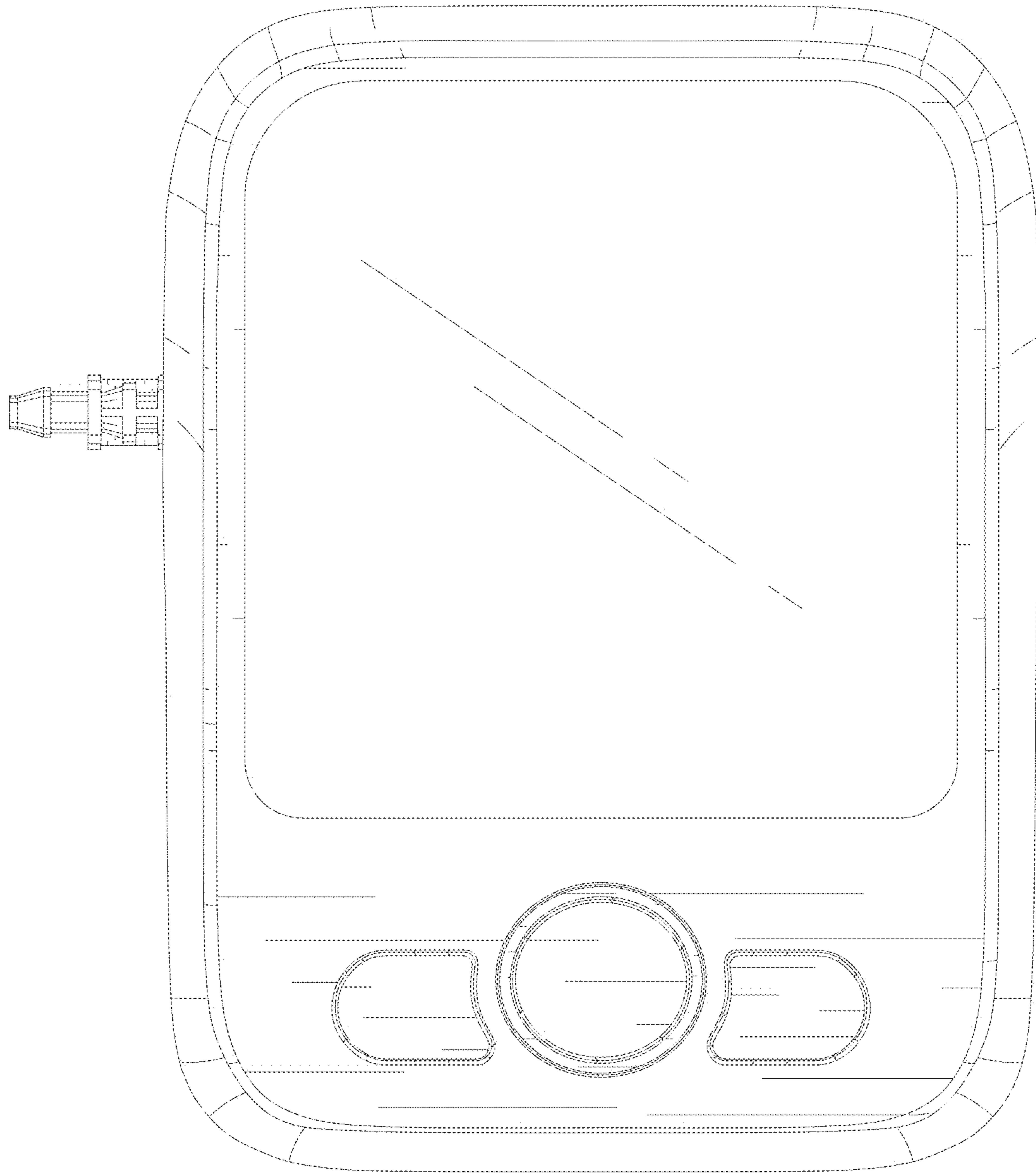


FIG. 6

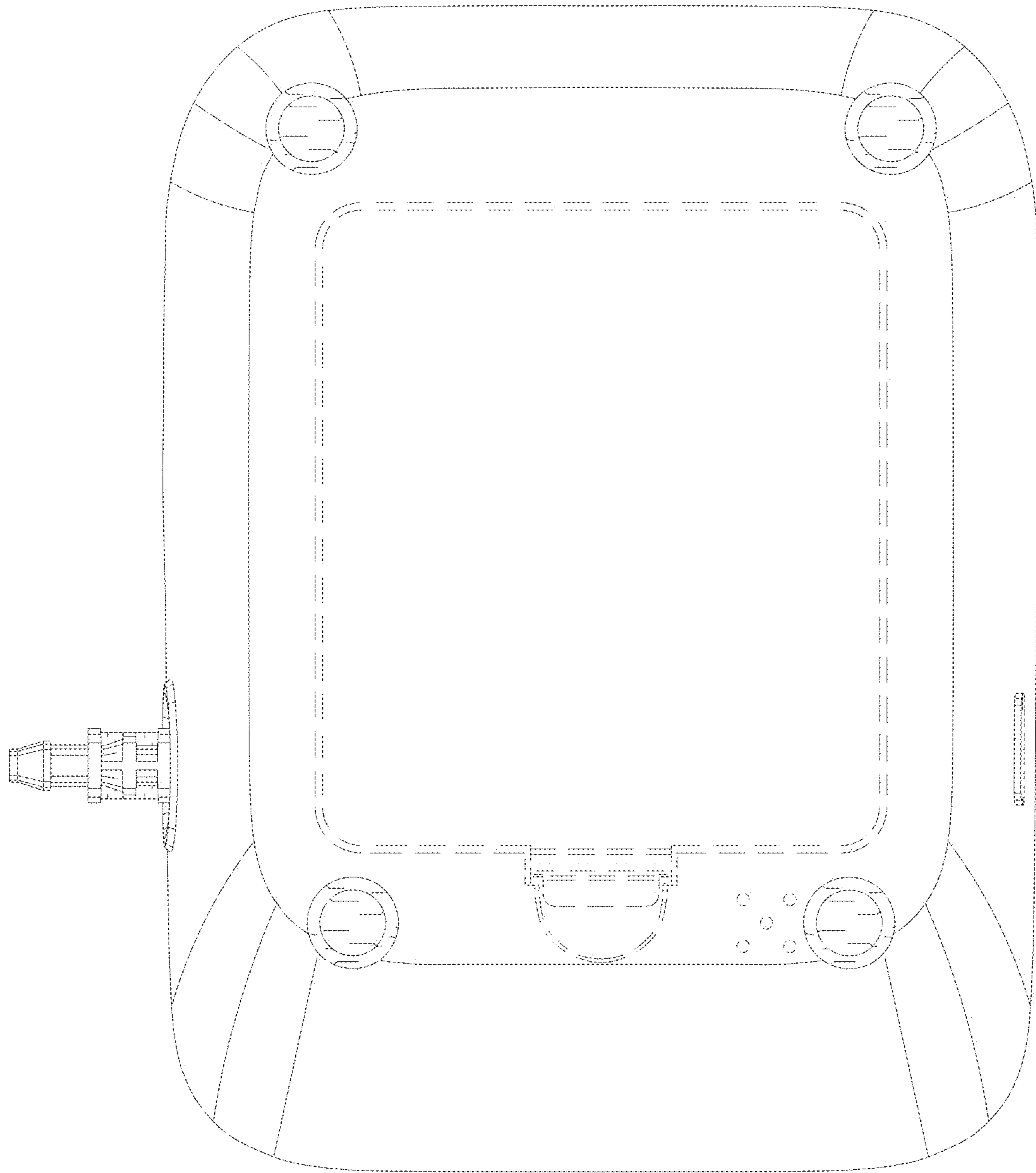


FIG. 7