



US00D983375S

(12) **United States Design Patent** (10) **Patent No.:** **US D983,375 S**  
**Wang** (45) **Date of Patent:** **\*\* Apr. 11, 2023**

(54) **ELECTRONIC SPHYGMOMANOMETER**

D922,581 S \* 6/2021 Wang ..... D24/165  
D942,628 S \* 2/2022 Dai ..... D24/165  
2022/0248964 A1 \* 8/2022 Ishihara ..... A61B 5/7455

(71) Applicant: **Shenzhen Jamr Technology Co., Ltd.**,  
Shenzhen (CN)

(72) Inventor: **Liming Wang**, Shenzhen (CN)

(73) Assignee: **Shenzhen Jamr Technology Co., Ltd.**,  
Shenzhen (CN)

(\*\*) Term: **15 Years**

(21) Appl. No.: **29/780,653**

(22) Filed: **Apr. 26, 2021**

(51) **LOC (14) Cl.** ..... **24-02**

(52) **U.S. Cl.**  
USPC ..... **D24/165**

(58) **Field of Classification Search**  
USPC ..... D24/165–168, 107, 186–187; D14/344  
CPC ..... A61B 5/0404; A61B 5/021; A61B 5/024;  
A61B 5/02438; A61B 5/681; A61B  
5/0402; A61B 2560/0462  
See application file for complete search history.

(56) **References Cited**

**U.S. PATENT DOCUMENTS**

D569,978 S \* 5/2008 Eda ..... D24/165  
D577,440 S \* 9/2008 Ferber ..... D24/165  
D700,341 S \* 2/2014 Uozumi ..... D24/165  
D717,439 S \* 11/2014 Noguchi ..... D24/165  
D722,165 S \* 2/2015 Pukall ..... D24/165  
D739,938 S \* 9/2015 Schempp ..... D24/165  
D802,768 S \* 11/2017 Rider ..... D24/165  
D850,622 S \* 6/2019 Noguchi ..... D24/165  
D861,875 S \* 10/2019 Nishiyama ..... D24/165  
D862,702 S \* 10/2019 Nishiyama ..... D24/165

**OTHER PUBLICATIONS**

Jamr Arm Blood Pressure Monitor Online Product Catalogue,  
posted at jamrmed.com, no posting date, retrieved Sep. 20, 2022,  
online, URL: <http://www.jamrmed.com/col.jsp?id=124> (Year: 2022).  
Homiee Blood Pressure Monitor, posted on amazon.com, Nov. 8,  
2018, retrieved Sep. 20, 2022, online, URL: <https://www.amazon.com/Pressure-HOMIEE-Detection-Memories-Batteries/dp/B07JGZNNR8?th=1> (Year: 2016).\*

\* cited by examiner

*Primary Examiner* — Barbara Fox  
*Assistant Examiner* — Michelle Marquart Christeon  
(74) *Attorney, Agent, or Firm* — ScienBiziP, P.C.

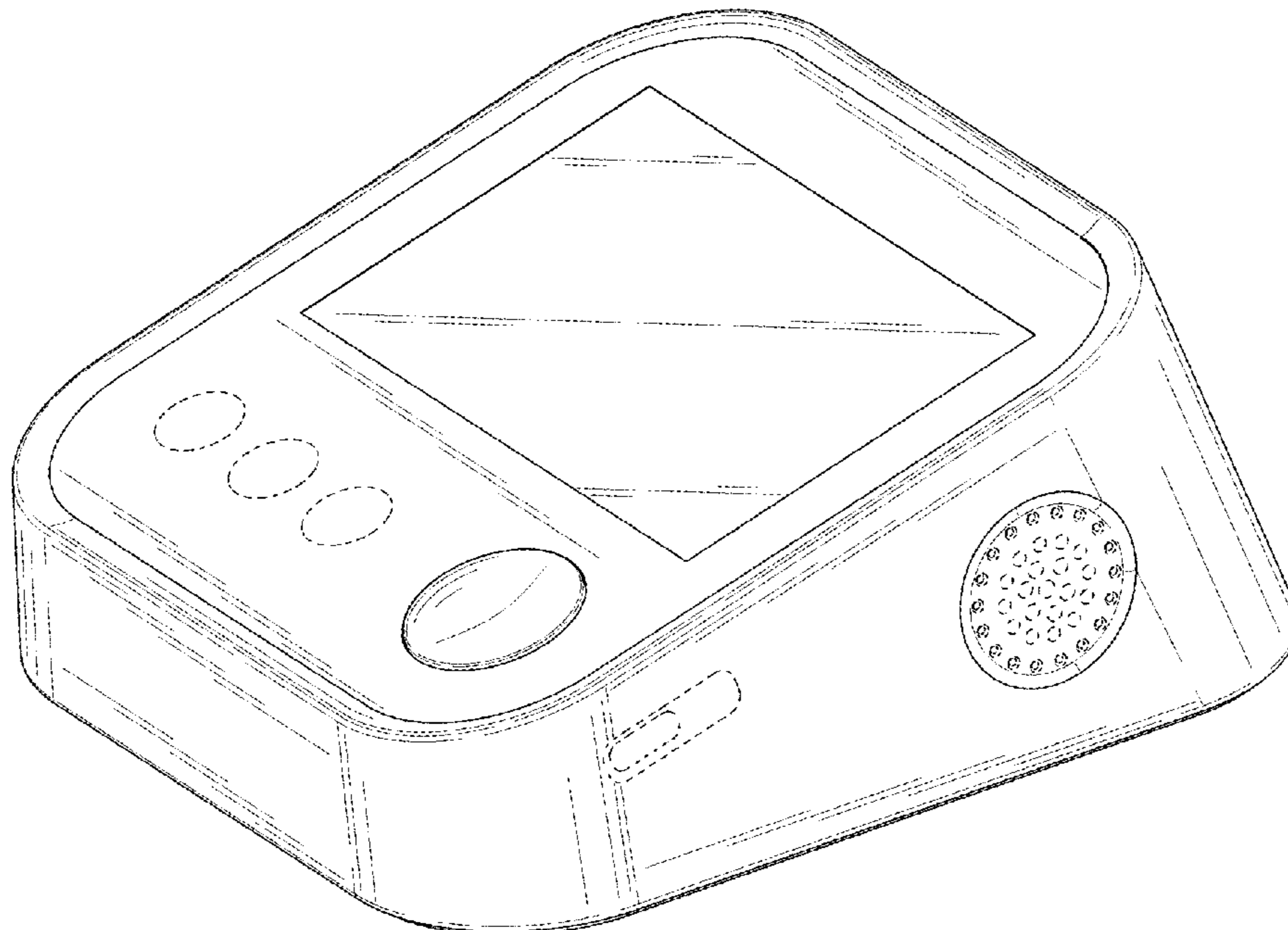
(57) **CLAIM**

The ornamental design for an electronic sphygmomanometer,  
as shown and described.

**DESCRIPTION**

FIG. 1 is a front, right, and top perspective view of an  
electronic sphygmomanometer, showing my design.  
FIG. 2 is a rear, left, and bottom perspective view thereof.  
FIG. 3 is a front elevation view thereof.  
FIG. 4 is a rear elevation view thereof.  
FIG. 5 is a left side elevation view thereof.  
FIG. 6 is a right side elevation view thereof.  
FIG. 7 is a top plan view thereof; and,  
FIG. 8 is a bottom plan view thereof.  
The broken lines shown in the drawings are included for the  
purpose of illustrating portions of the electronic sphygmo-  
manometer that form no part of the claimed design.

**1 Claim, 8 Drawing Sheets**



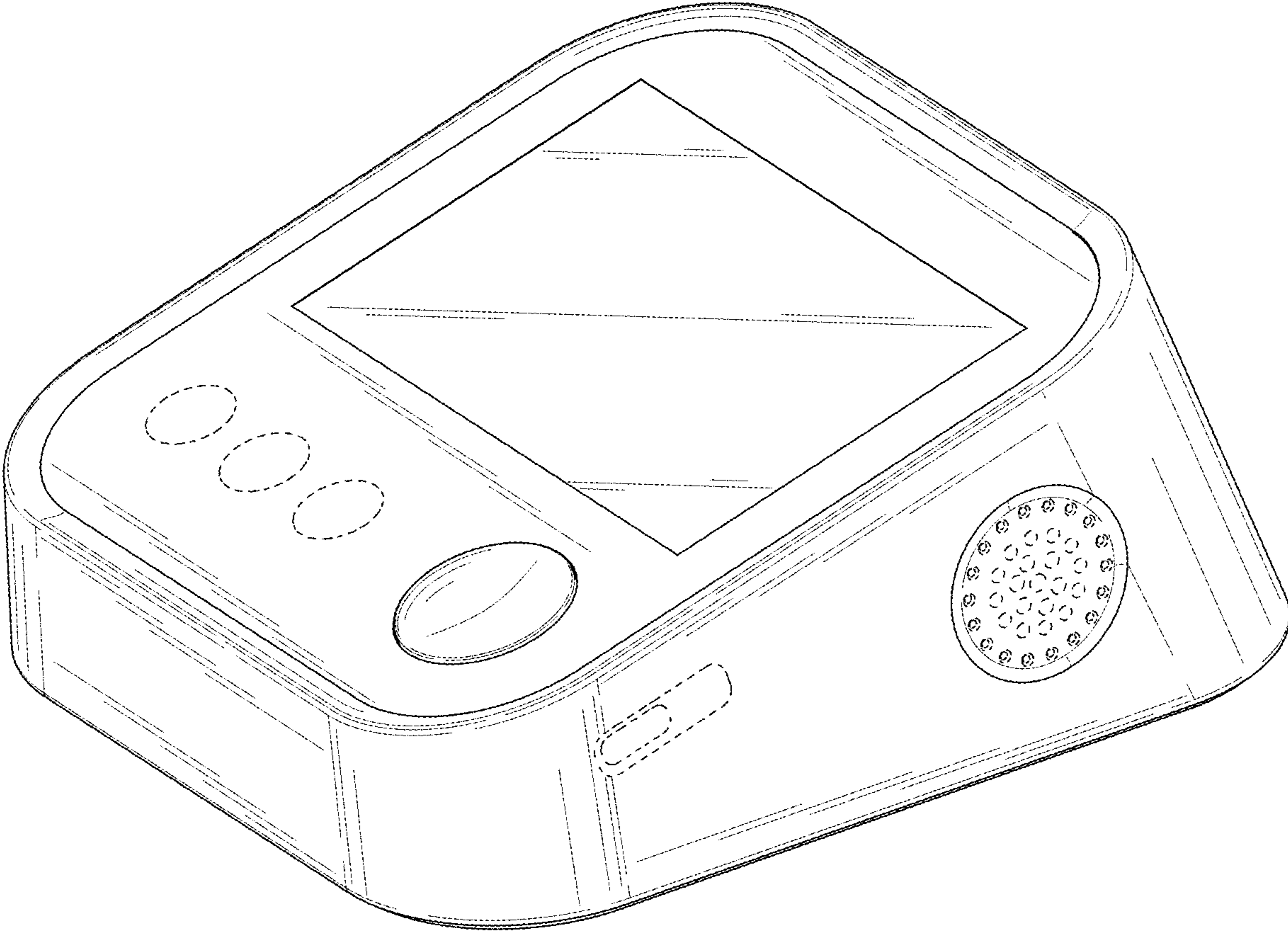


FIG. 1

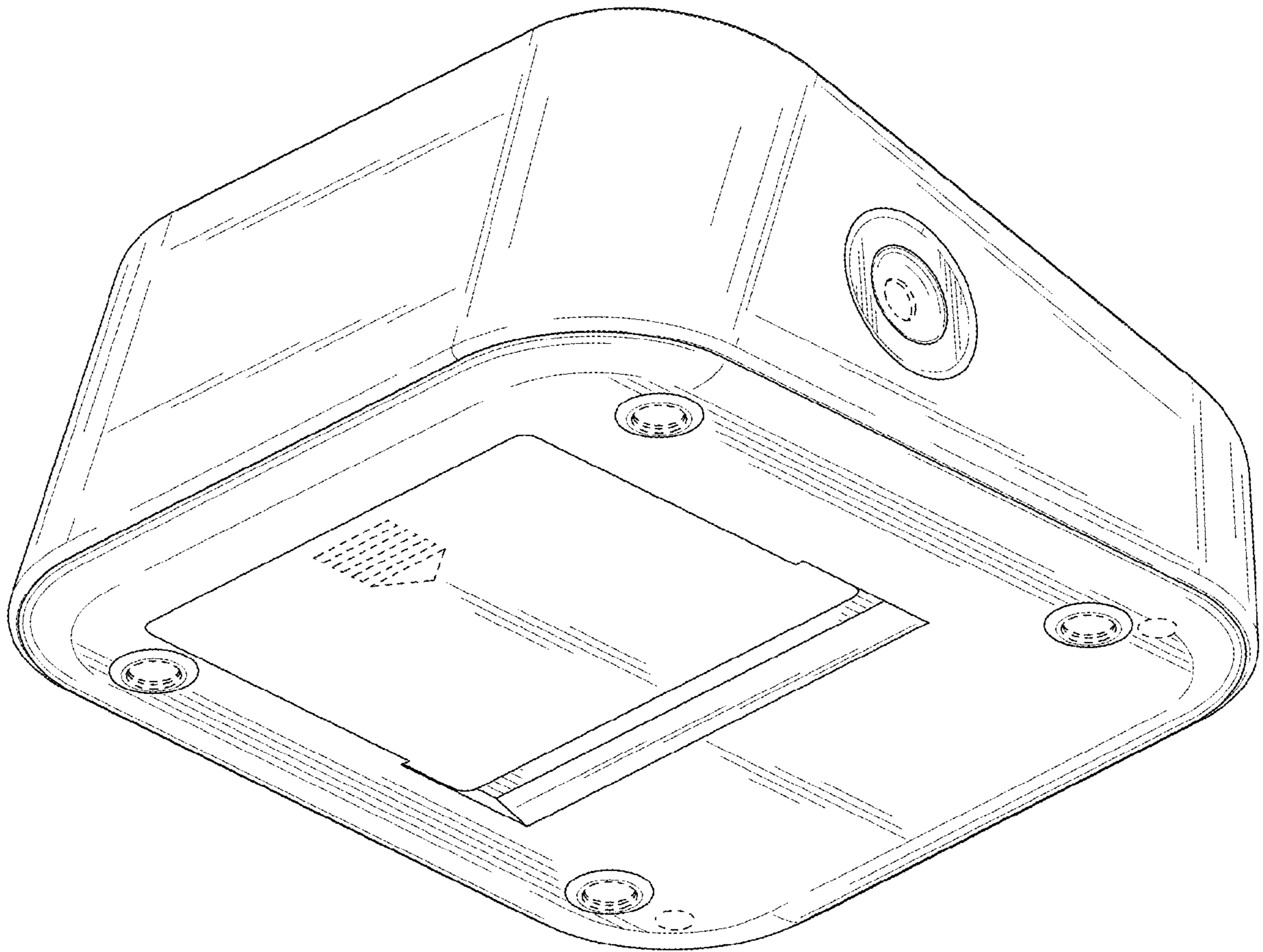


FIG. 2

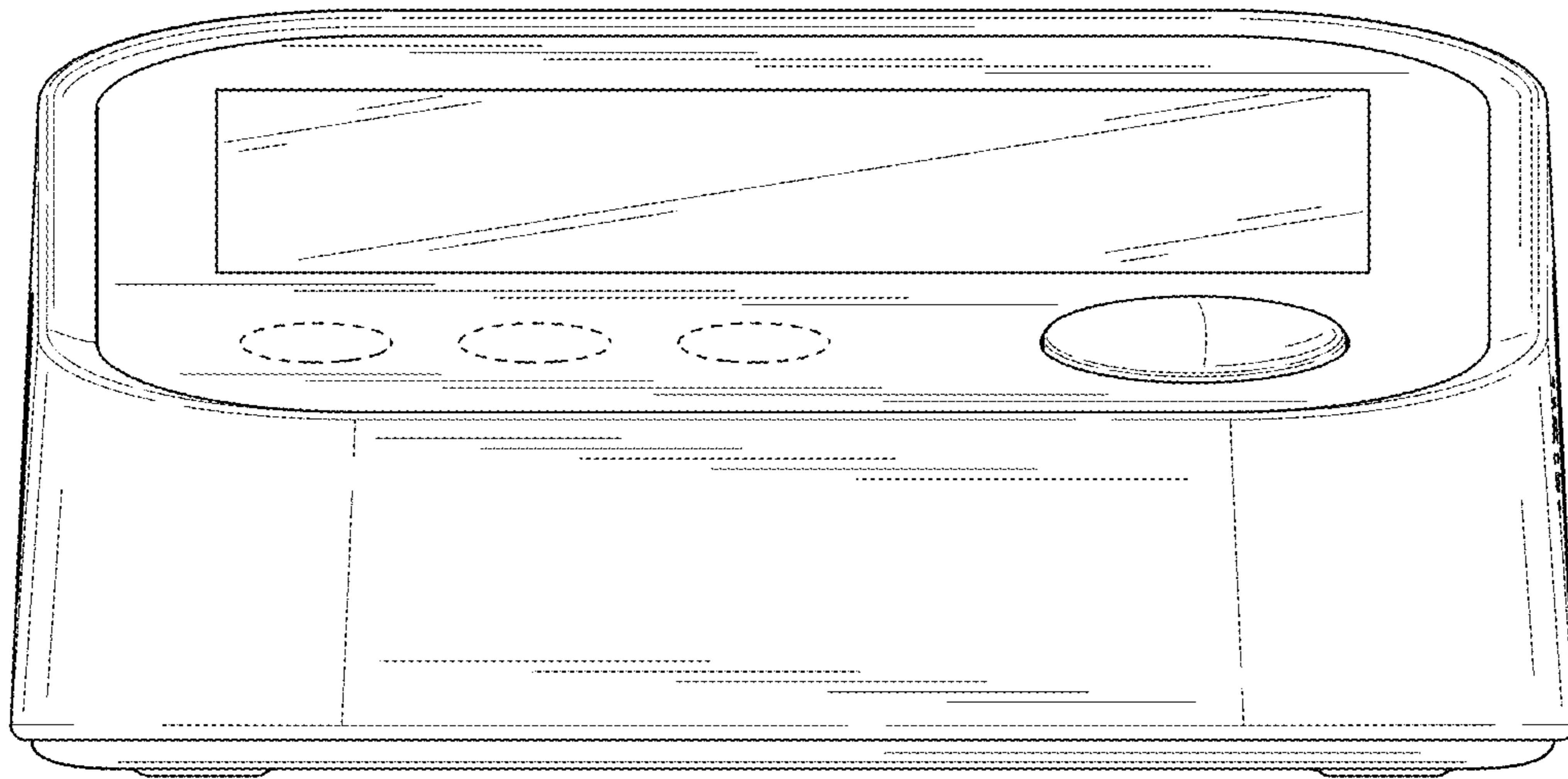


FIG. 3

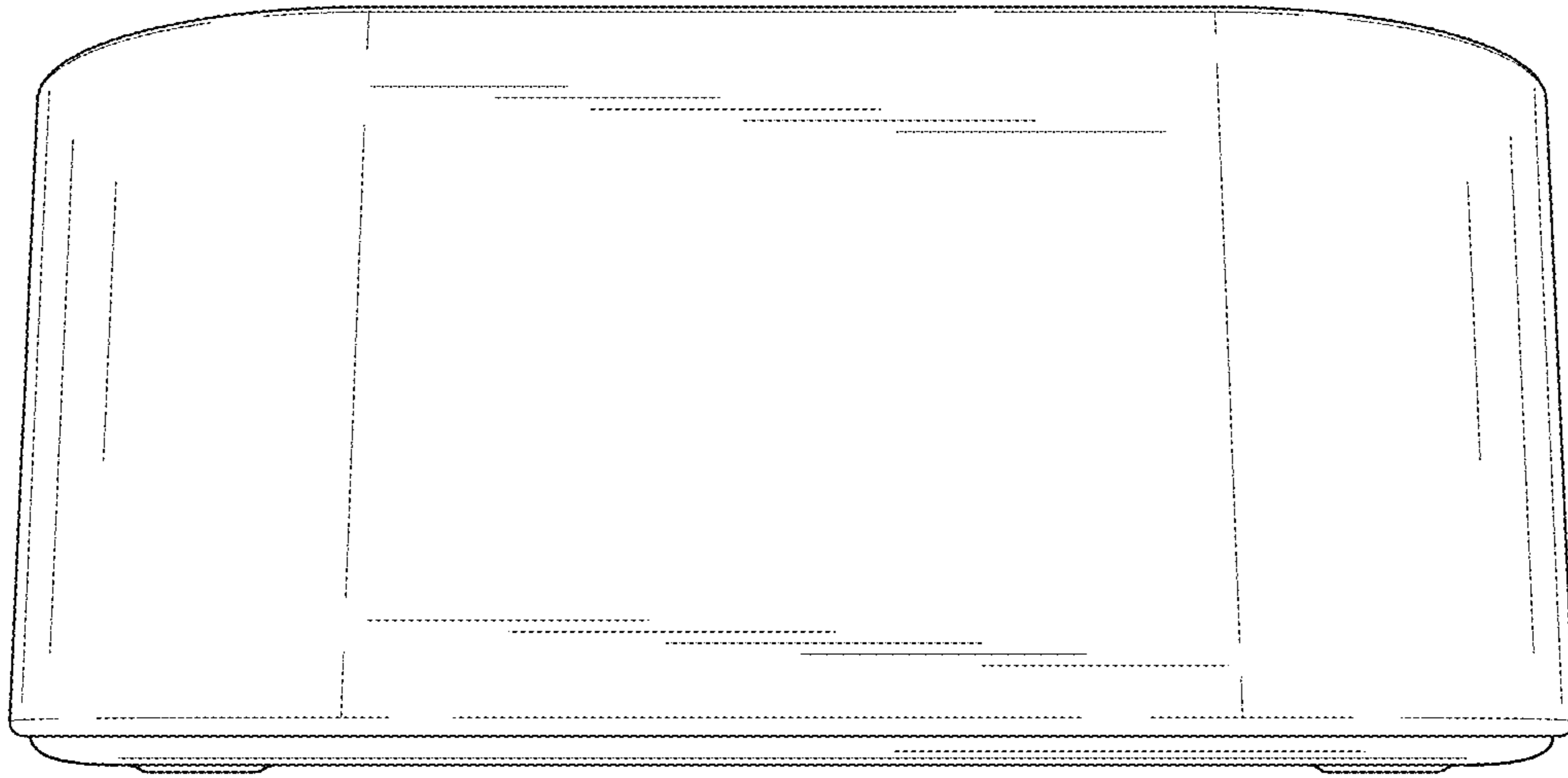


FIG. 4

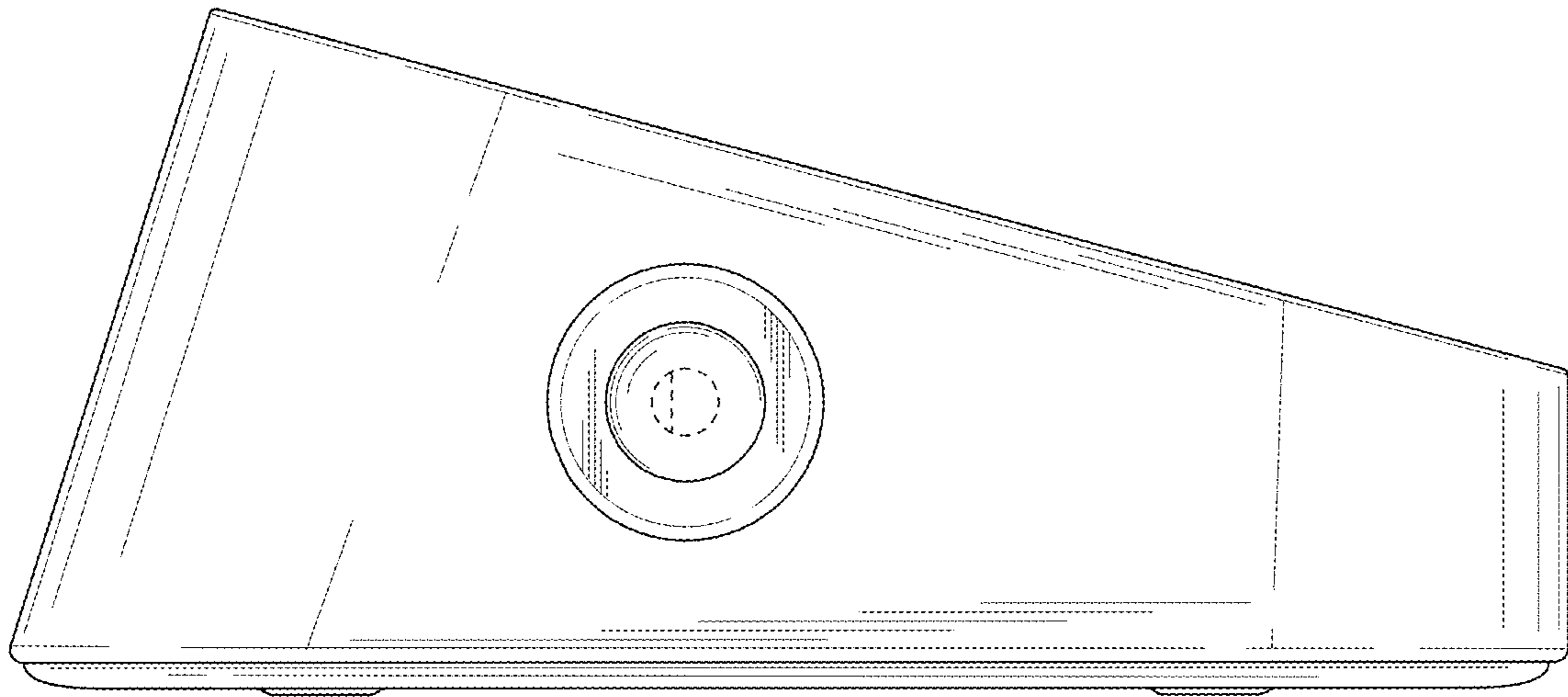


FIG. 5

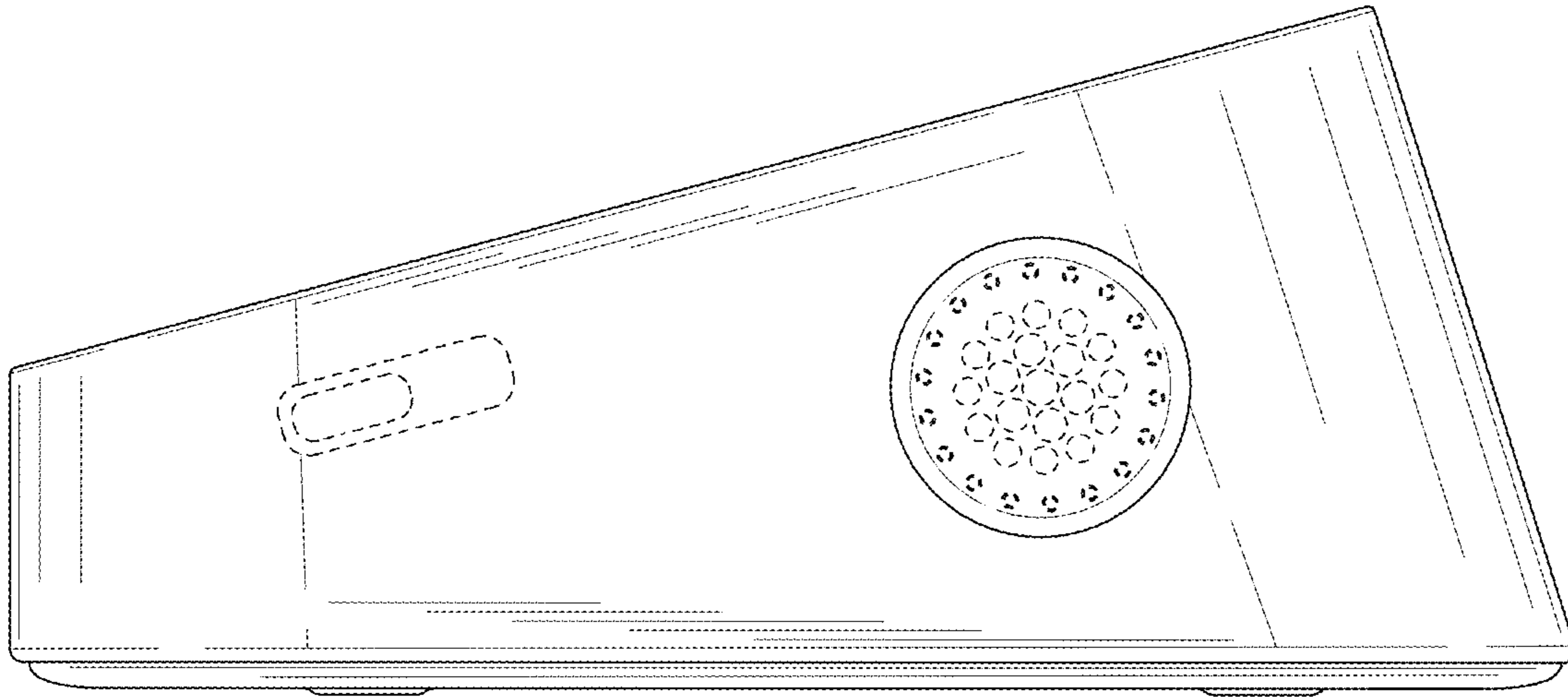


FIG. 6

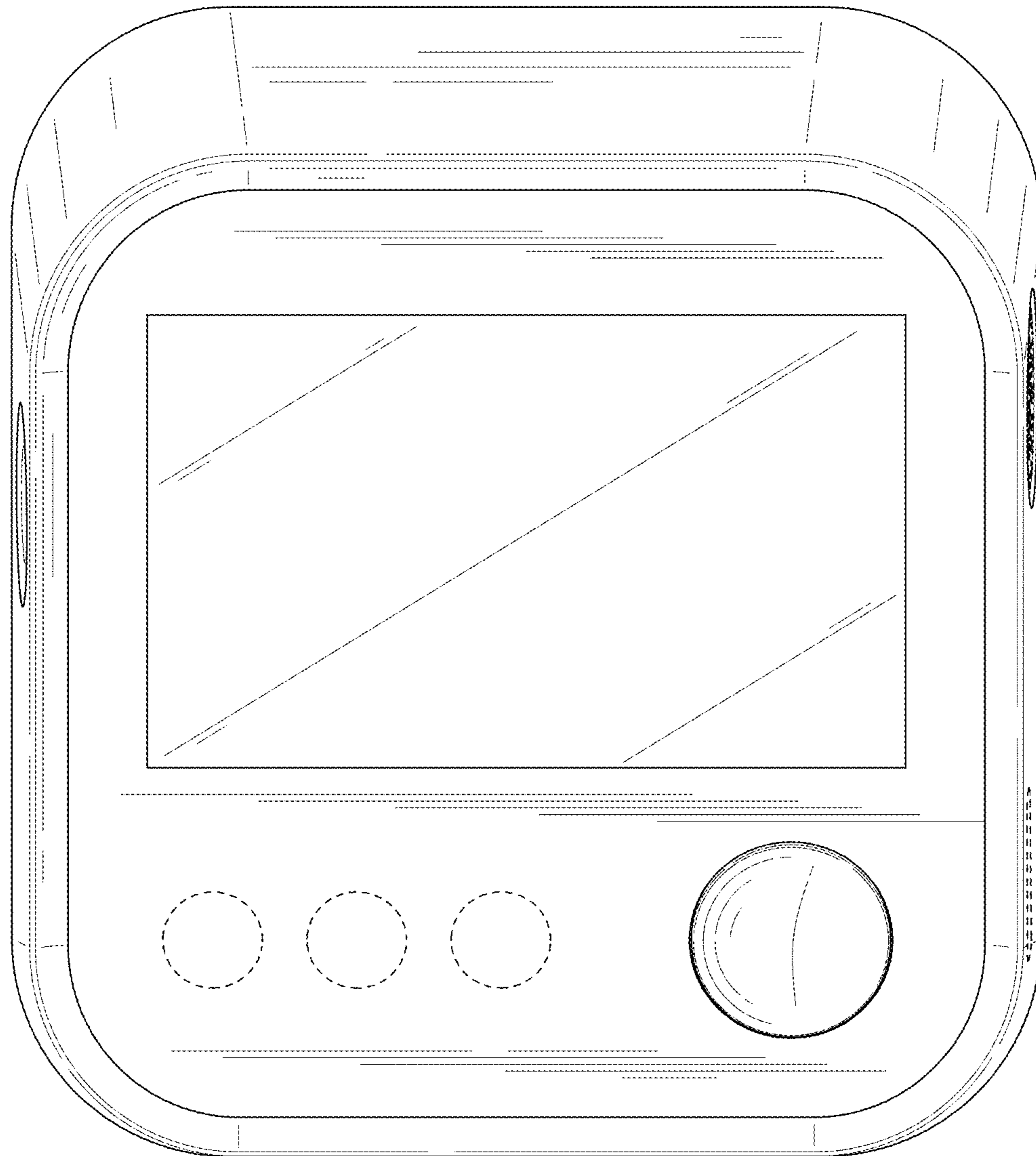


FIG. 7



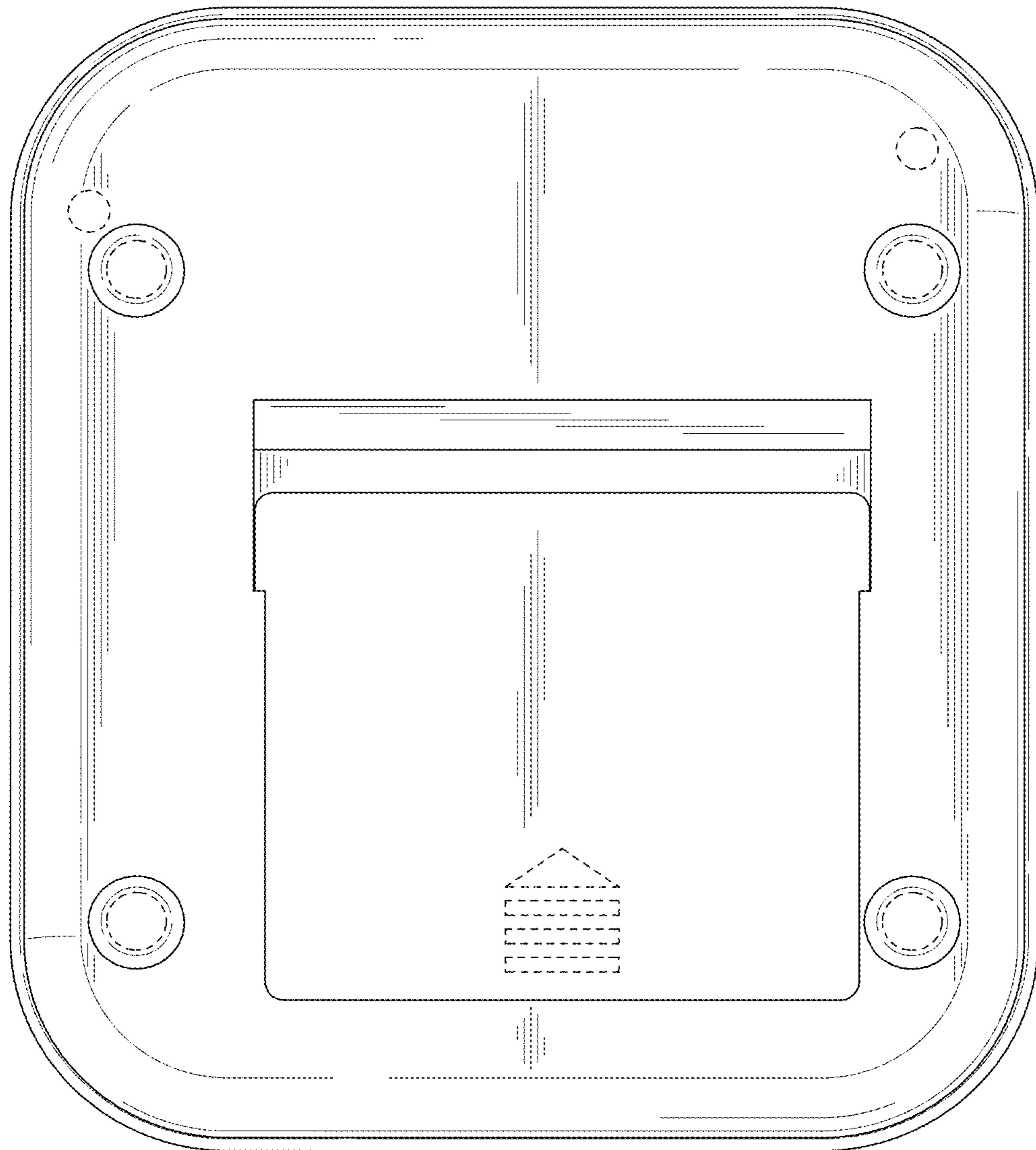


FIG. 8