



US00D983374S

(12) **United States Design Patent**  
**Chung**

(10) **Patent No.:** **US D983,374 S**  
(45) **Date of Patent:** **\*\* Apr. 11, 2023**

(54) **MANDIBULAR ADVANCEMENT DEVICE FOR ANTI SNORING**

(71) Applicant: **Jiyoung Chung**, Namyangju-si (KR)

(72) Inventor: **Jiyoung Chung**, Namyangju-si (KR)

(\*\*) Term: **15 Years**

(21) Appl. No.: **29/743,341**

(22) Filed: **Jul. 21, 2020**

(30) **Foreign Application Priority Data**

Feb. 10, 2020 (KR) ..... 30-2020-0005717

(51) **LOC (14) Cl.** ..... **24-02**

(52) **U.S. Cl.**  
USPC ..... **D24/164; D24/181**

(58) **Field of Classification Search**  
USPC ..... D24/164, 180–182, 110, 110.5, 176;  
D29/108

(Continued)

(56) **References Cited**

**U.S. PATENT DOCUMENTS**

2,089,715 A \* 8/1937 Simmons ..... A61C 9/0006  
433/45

6,041,784 A \* 3/2000 Halstrom ..... A61F 5/566  
128/848

(Continued)

**FOREIGN PATENT DOCUMENTS**

CN 303937028 \* 11/2016

KR 300886716.0000 \* 12/2016

KR 301022457.0000 \* 9/2019

**OTHER PUBLICATIONS**

“DreamTAP” by Airway Management. Youtube. Posting date: Mar. 7, 2016. Retrieval date: Jan. 27, 2021. Retrieved from internet: <https://www.youtube.com/watch?v=aDx5ACdVKAo> (Year: 2016).\*

(Continued)

*Primary Examiner* — Wendy L Arminio  
*Assistant Examiner* — Maheen Khurshid  
(74) *Attorney, Agent, or Firm* — Ladas & Parry LLP

(57) **CLAIM**

I claim the ornamental design for a mandibular advancement device for anti snoring, as shown and described.

**DESCRIPTION**

FIG. 1 is the front perspective view of a mandibular advancement device for anti-snoring showing my new design.

FIG. 2 is the front view thereof;

FIG. 3 is the rear view thereof;

FIG. 4 is the left-side view thereof;

FIG. 5 is the right-side view thereof;

FIG. 6 is the top view thereof;

FIG. 7 is the bottom view thereof;

FIG. 8 is the rear and bottom perspective view thereof;

FIG. 9 is a cross-sectional view taken in the direction of line 9-9 of FIG. 2;

FIG. 10 is an exploded view of the maxillary and mandibular portions shown separately from the mandibular advancement device for anti-snoring for ease of illustration;

FIG. 11 is an enlarged perspective view of only the mandibular portion in a folded configuration, shown separately from the mandibular advancement device for anti-snoring for ease of illustration;

FIG. 12 is an enlarged front perspective view of the design of FIG. 1 with the maxillary and mandibular portions shown separately from the mandibular advancement device for anti-snoring for ease of illustration;

FIG. 13 is an enlarged front view thereof;

FIG. 14 is an enlarged rear view thereof;

FIG. 15 is an enlarged left side view thereof;

FIG. 16 is an enlarged right side view thereof;

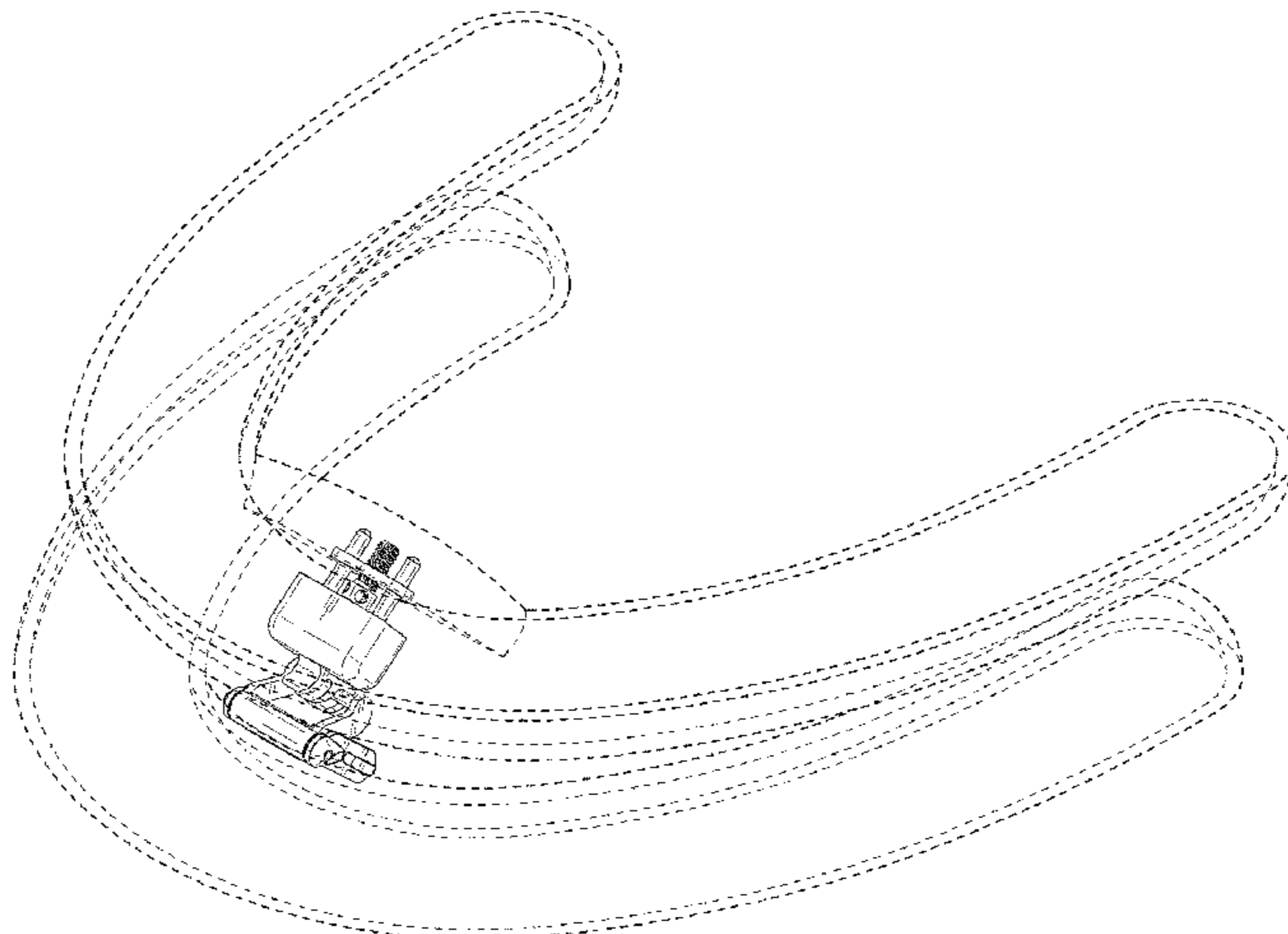
FIG. 17 is an enlarged top view thereof;

FIG. 18 is an enlarged bottom view thereof;

FIG. 19 is an enlarged rear and bottom perspective view thereof; and,

FIG. 20 is an enlarged cross-sectional view thereof taken in the direction of line 9-9 of FIG. 2.

(Continued)



The broken lines in the figures show portions of a mandibular advancement device for anti snoring which form no part of the claimed design.

**1 Claim, 14 Drawing Sheets**

**(58) Field of Classification Search**

CPC ..... A61C 7/08; A61C 7/36; A61C 9/0006;  
A61C 19/005; A61C 19/006; A61C  
19/06; A61C 19/063; A61C 19/066; A61C  
2201/007

See application file for complete search history.

**(56) References Cited**

U.S. PATENT DOCUMENTS

6,893,259 B1 \* 5/2005 Reizenon ..... A61C 17/0211  
433/29  
D554,260 S \* 10/2007 Diacopoulos ..... D24/181  
9,744,070 B2 \* 8/2017 Chung ..... A61F 5/566  
D799,049 S \* 10/2017 Farrell ..... D24/181  
D888,249 S \* 6/2020 Bruss ..... A61F 5/566  
D24/181  
D932,627 S \* 10/2021 Chung ..... D24/181

2006/0174897 A1 \* 8/2006 Sarkisian ..... A61F 5/566  
128/859  
2008/0072915 A1 \* 3/2008 Nelissen ..... A61F 5/566  
128/848  
2012/0024297 A1 \* 2/2012 Hegde ..... A61F 5/566  
128/848  
2012/0145166 A1 \* 6/2012 Fallon ..... A61F 5/566  
128/848  
2012/0255563 A1 \* 10/2012 Thornton ..... A61C 7/08  
128/861  
2013/0295514 A1 \* 11/2013 Koklu ..... A61C 7/08  
433/6  
2015/0216715 A1 \* 8/2015 Chung ..... A61F 5/566  
128/848  
2018/0250100 A1 \* 9/2018 Ross ..... A61C 7/36  
2020/0121493 A1 \* 4/2020 Yukita ..... A61F 5/566  
2020/0121494 A1 \* 4/2020 Kusakawa ..... F16B 39/28  
2020/0129278 A1 \* 4/2020 Hu ..... A61C 19/05

OTHER PUBLICATIONS

“Snore Rx #1 FDA Certified Mouthguard for the Treatment of Snoring” by Snore Rx. Youtube. Posting date: Oct. 10, 2014. Retrieval date: Jan. 27, 2021. Retrieved from internet: <https://www.youtube.com/watch?v=4ica7AZpyYA> (Year: 2014).\*

\* cited by examiner

FIG. 1

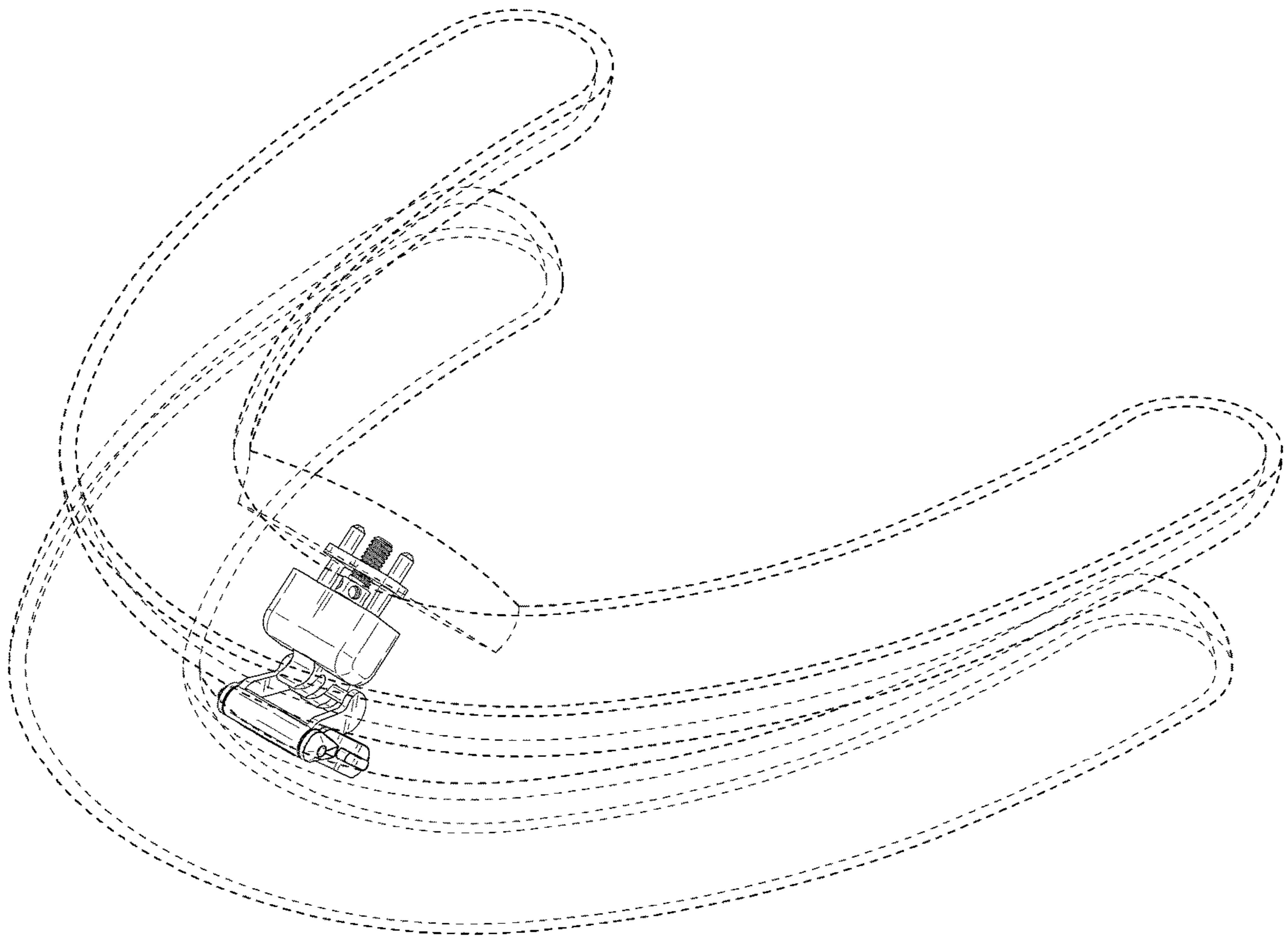


FIG. 2

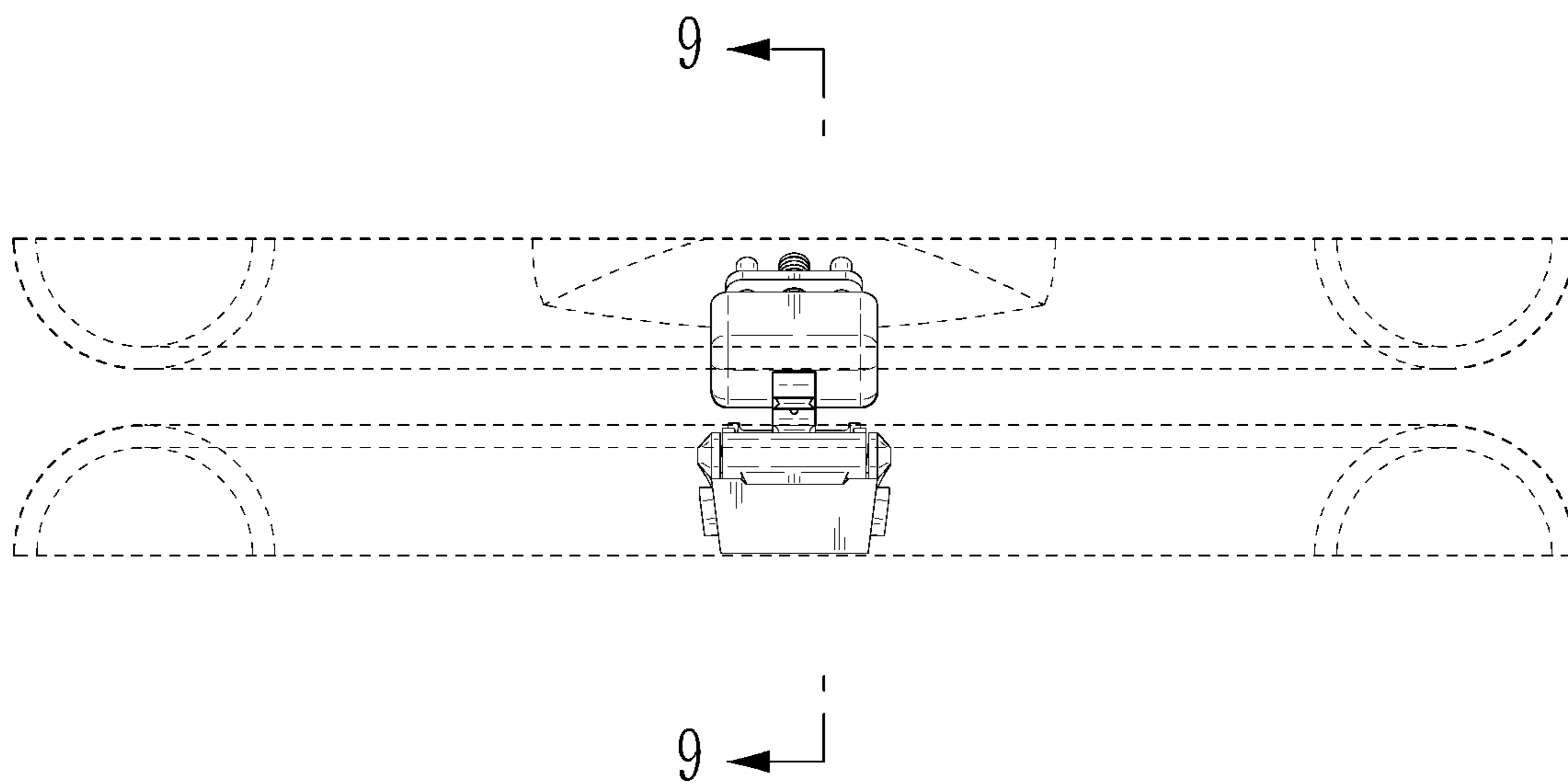


FIG. 3

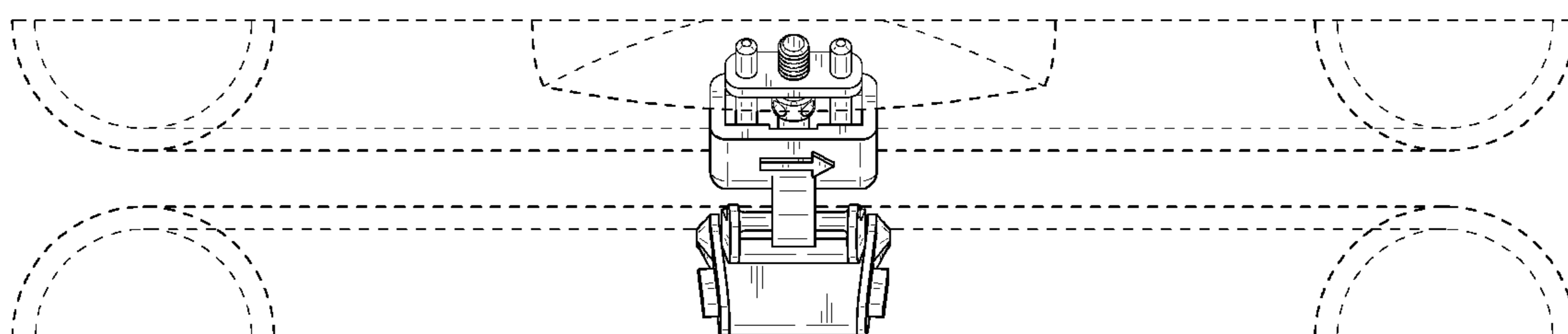


FIG. 4



FIG. 5

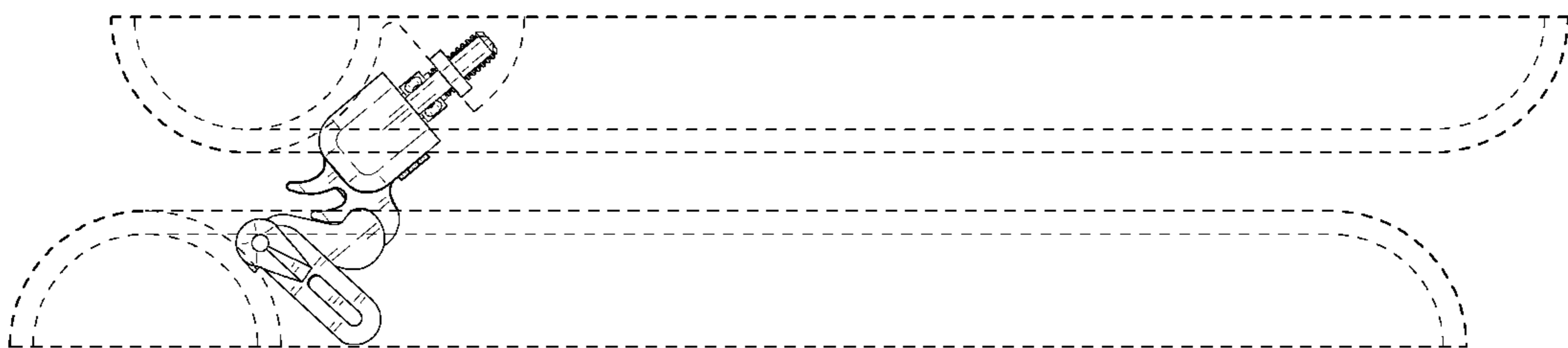




FIG. 6

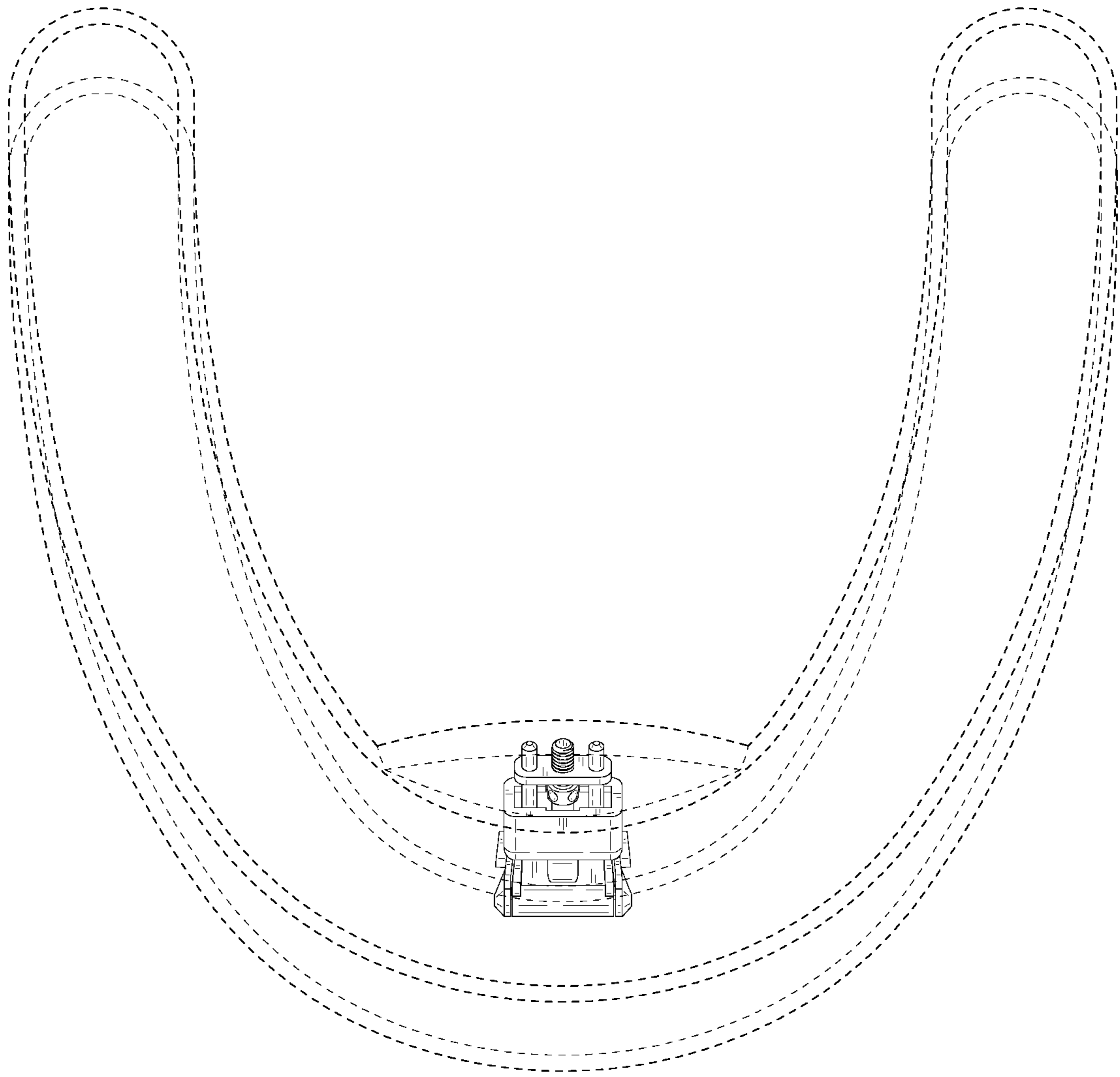


FIG. 7

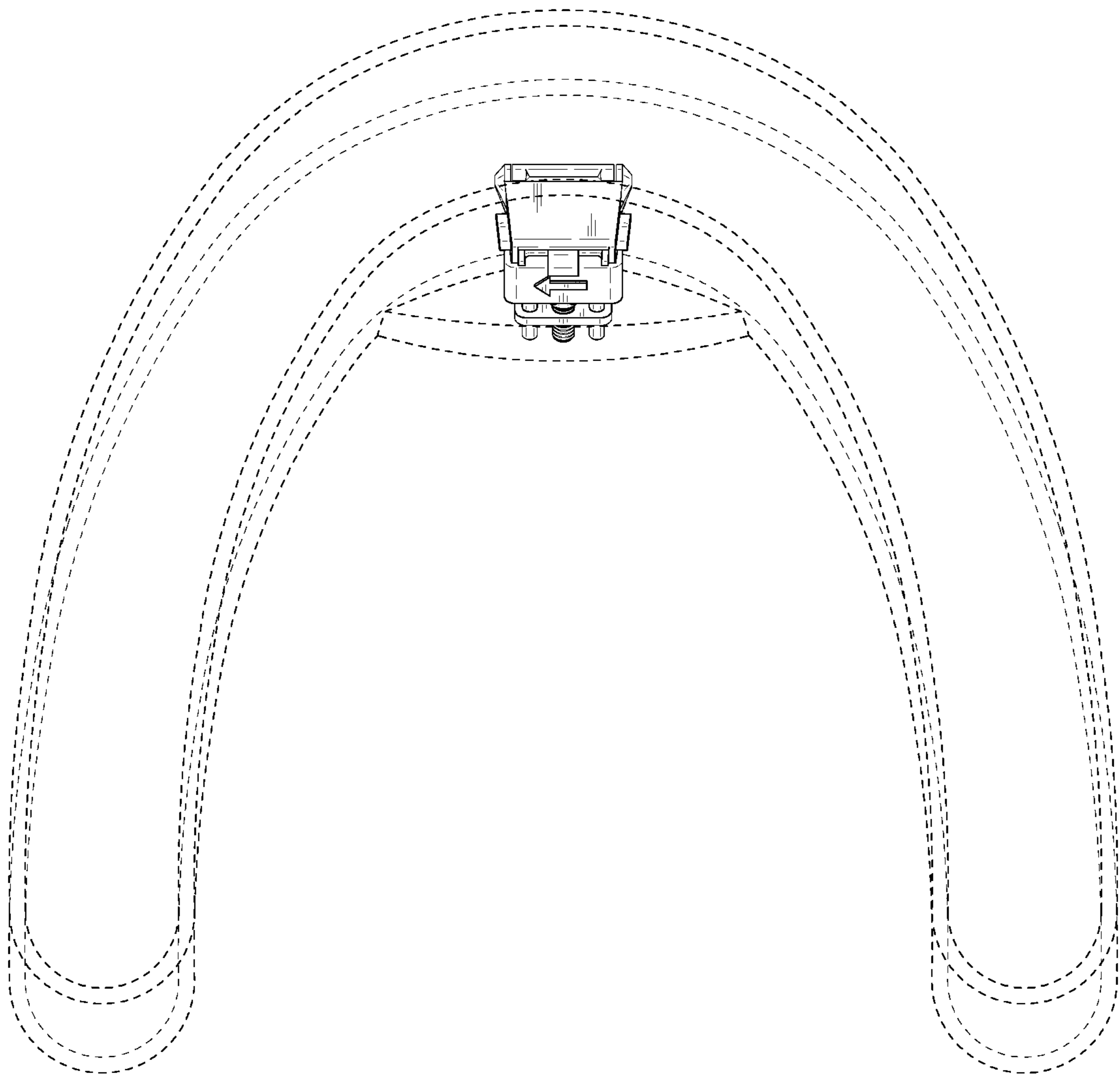


FIG. 8

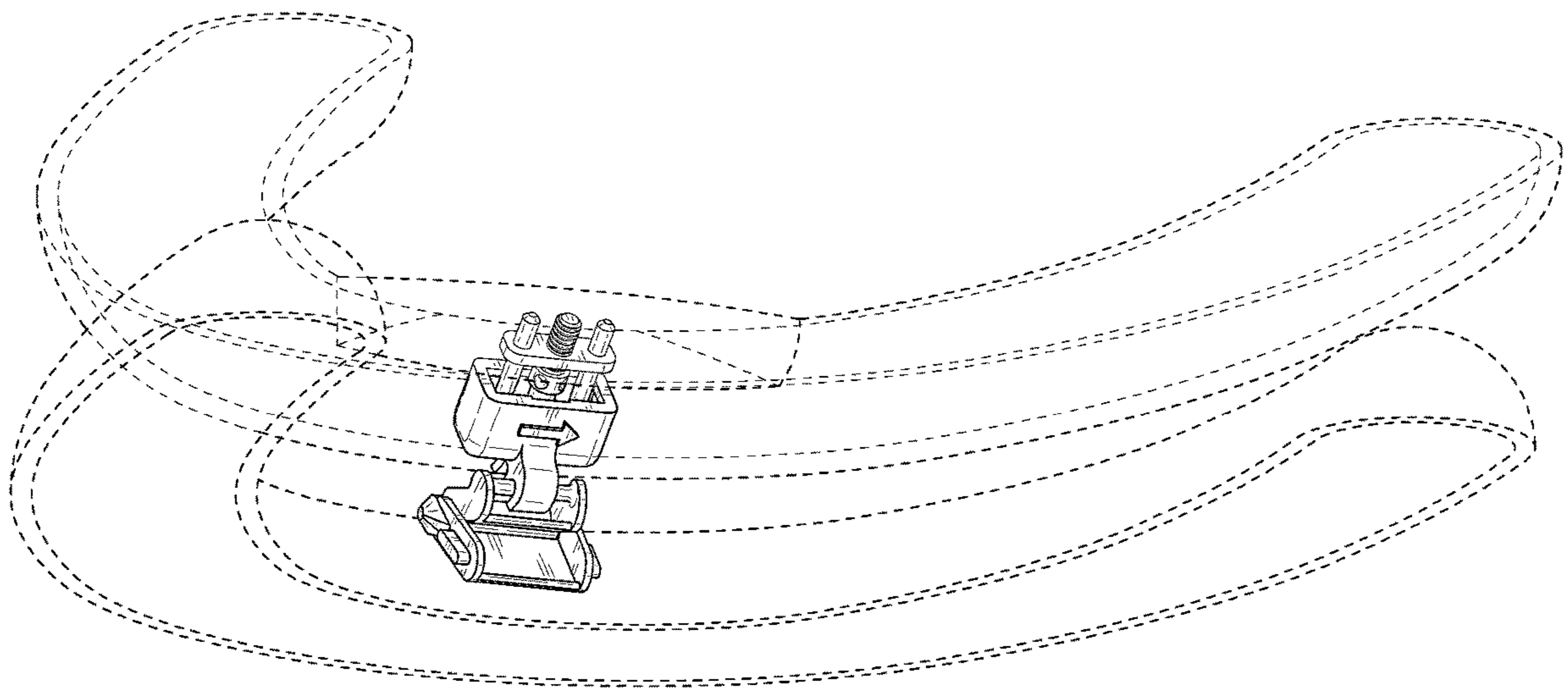




FIG. 9

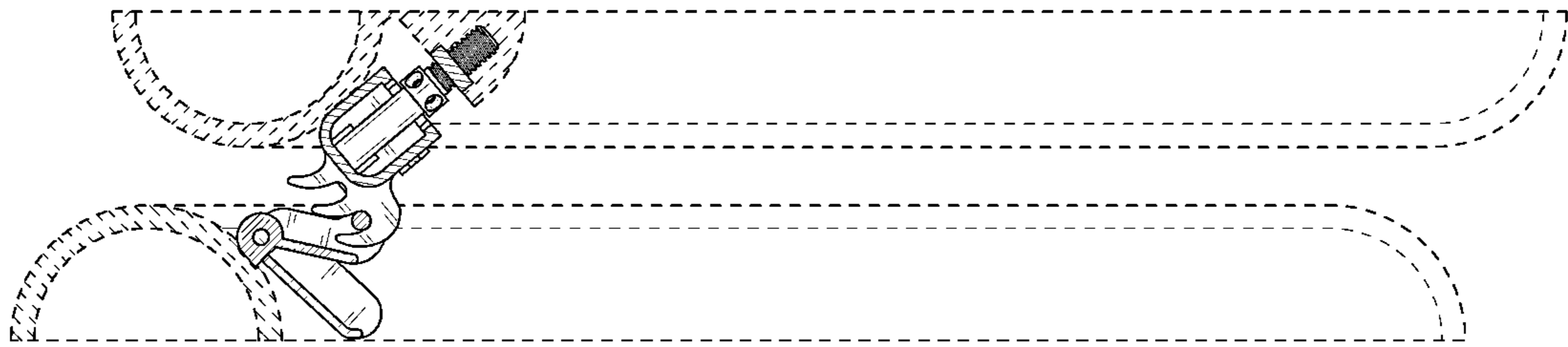


FIG. 10

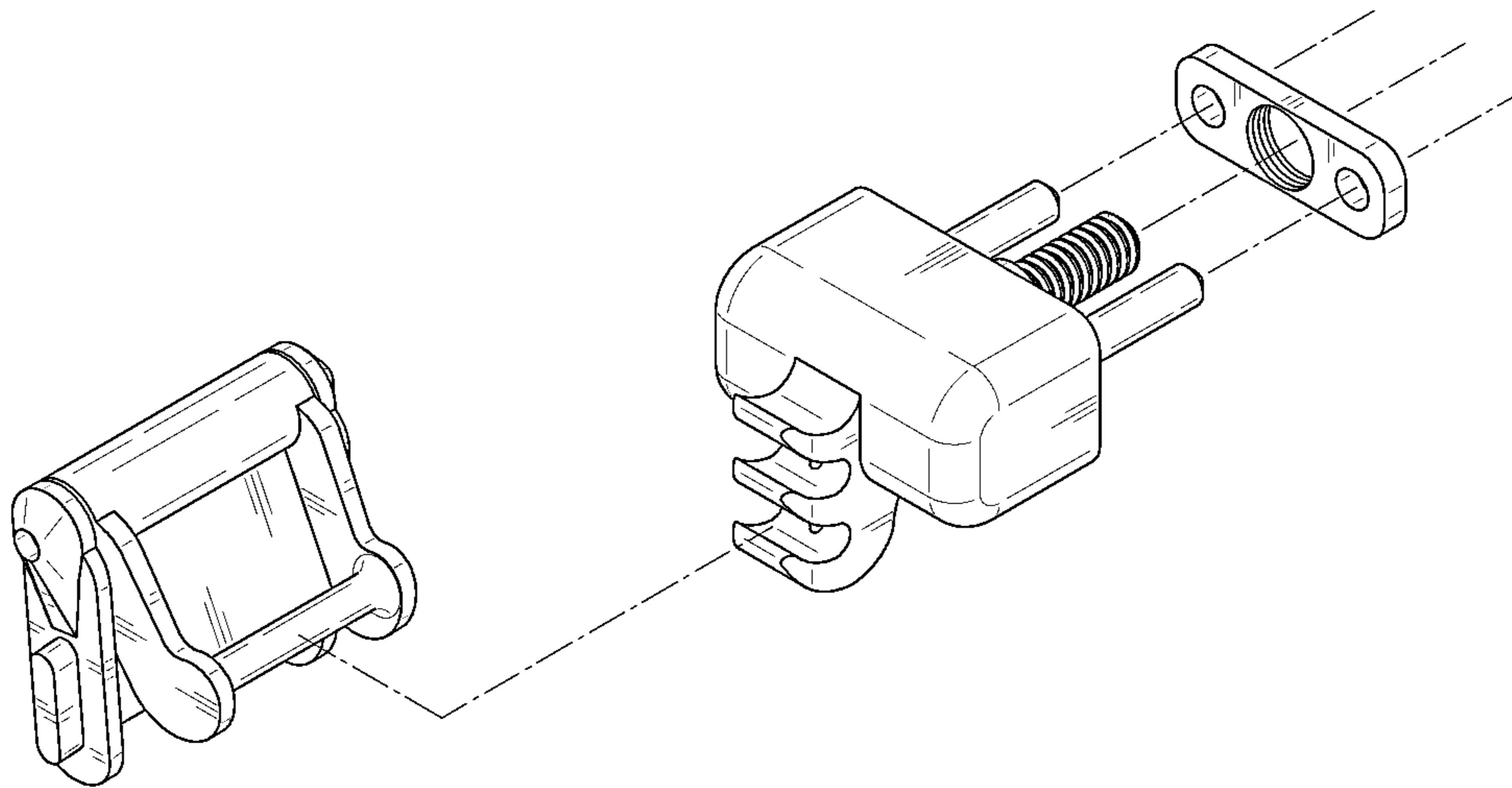


FIG. 11

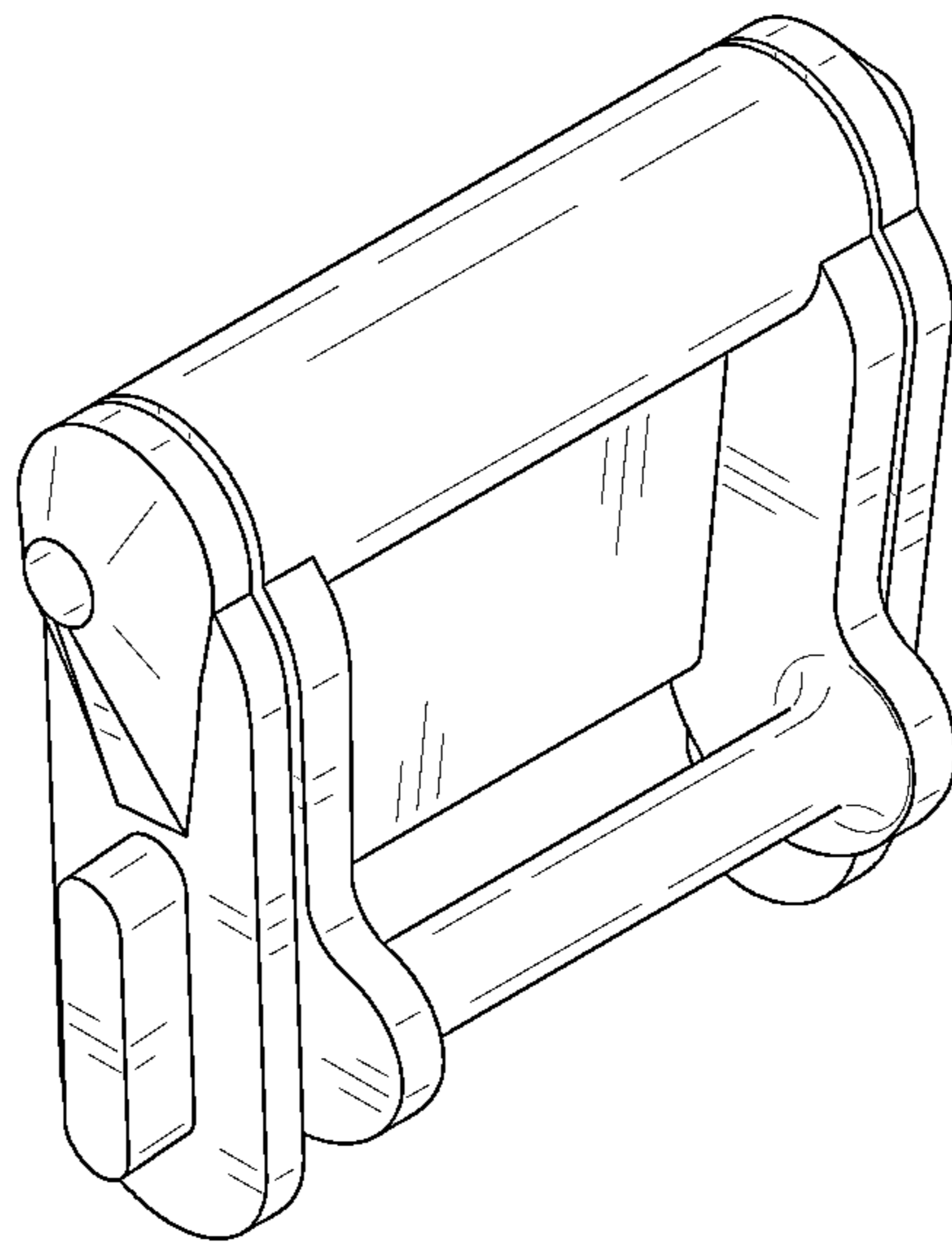


FIG. 12

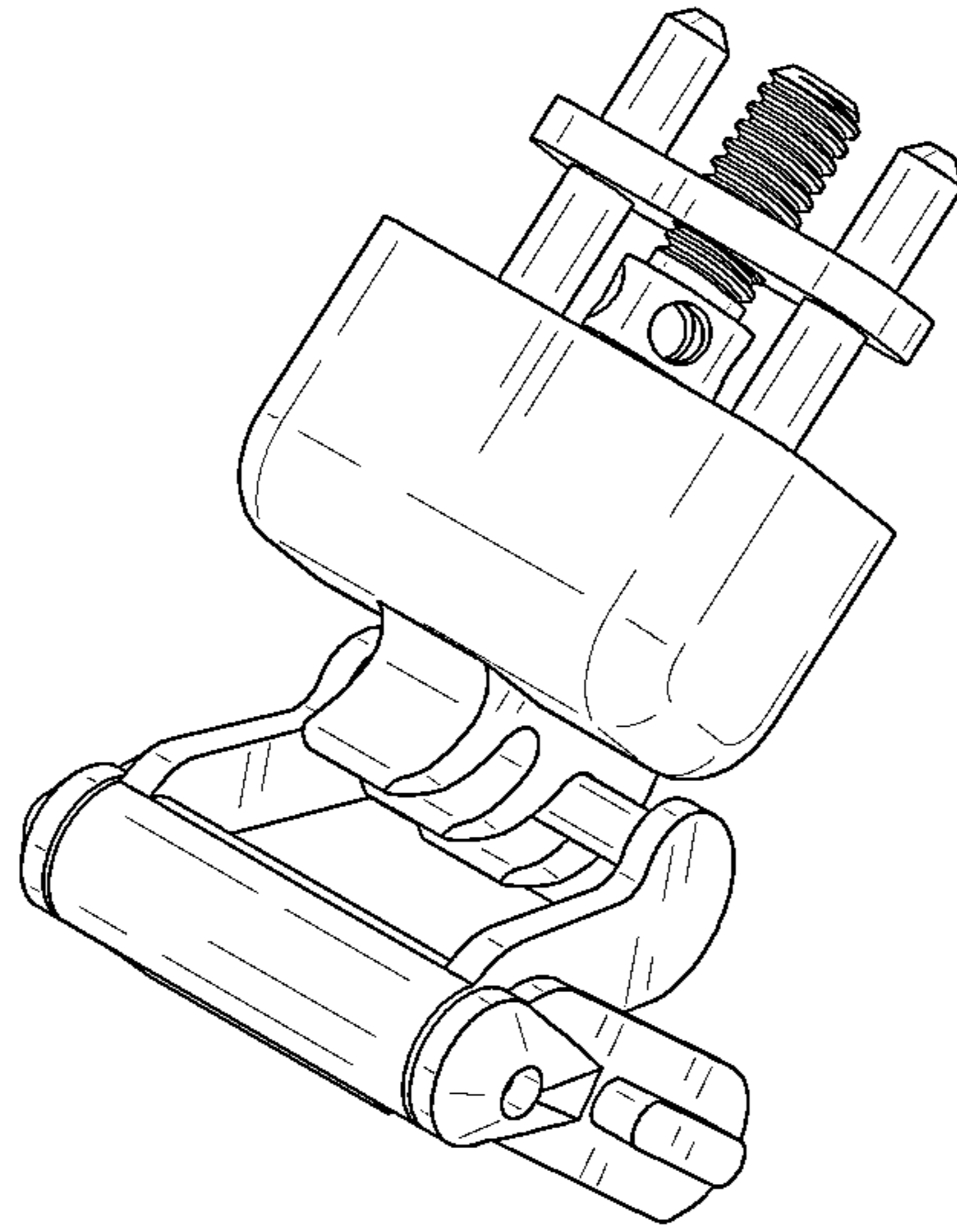


FIG. 13

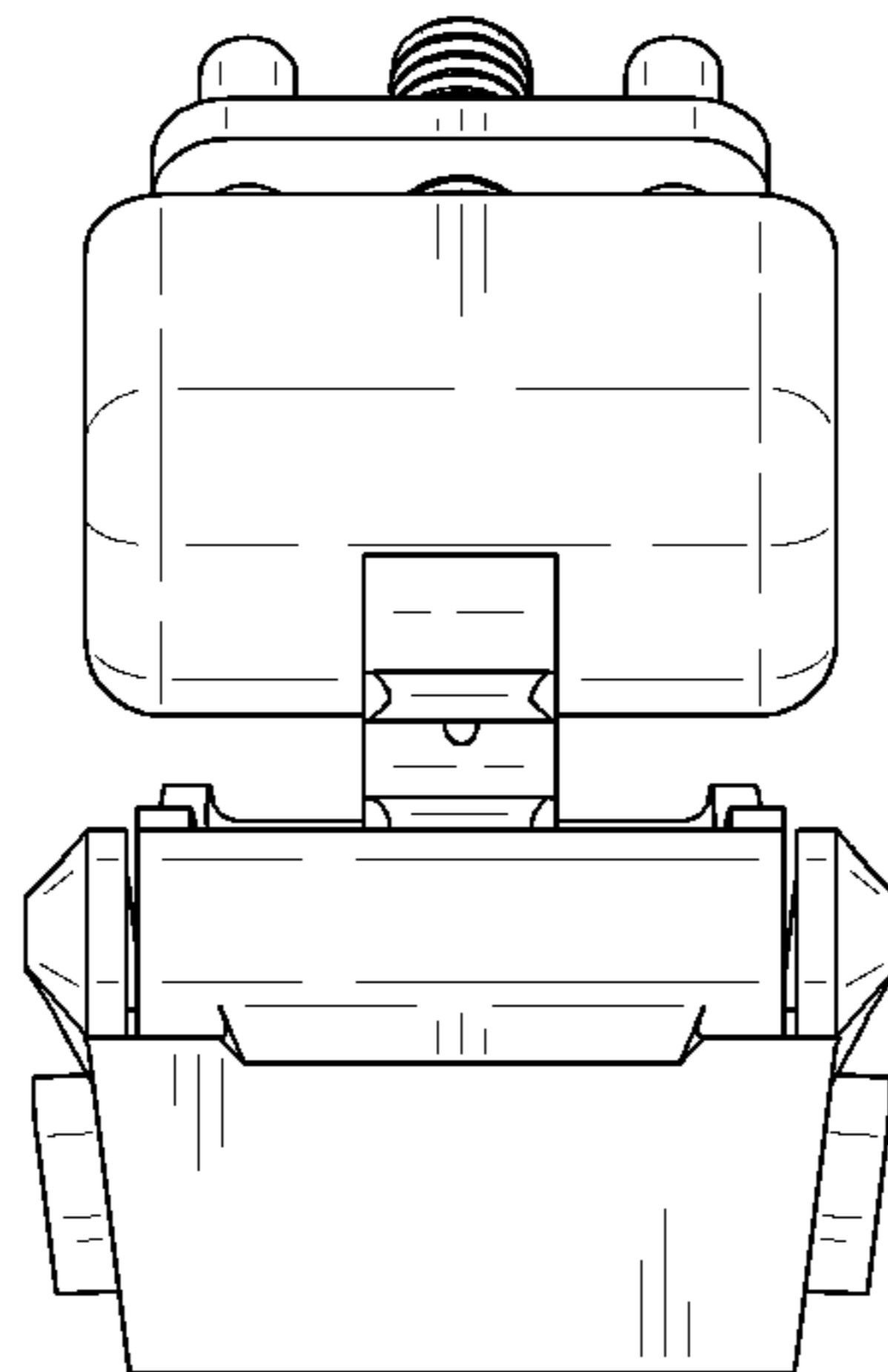


FIG. 14

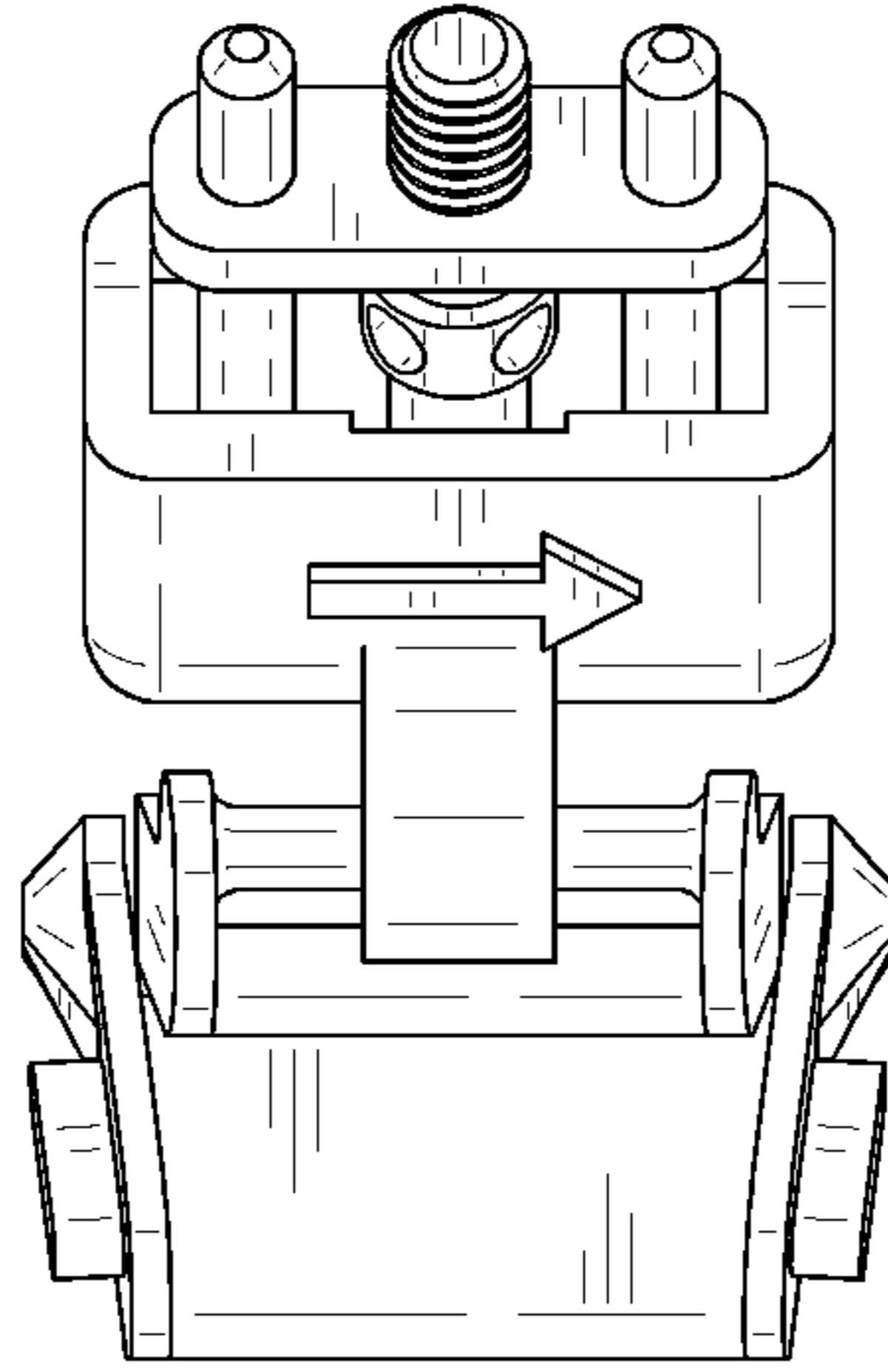


FIG. 15

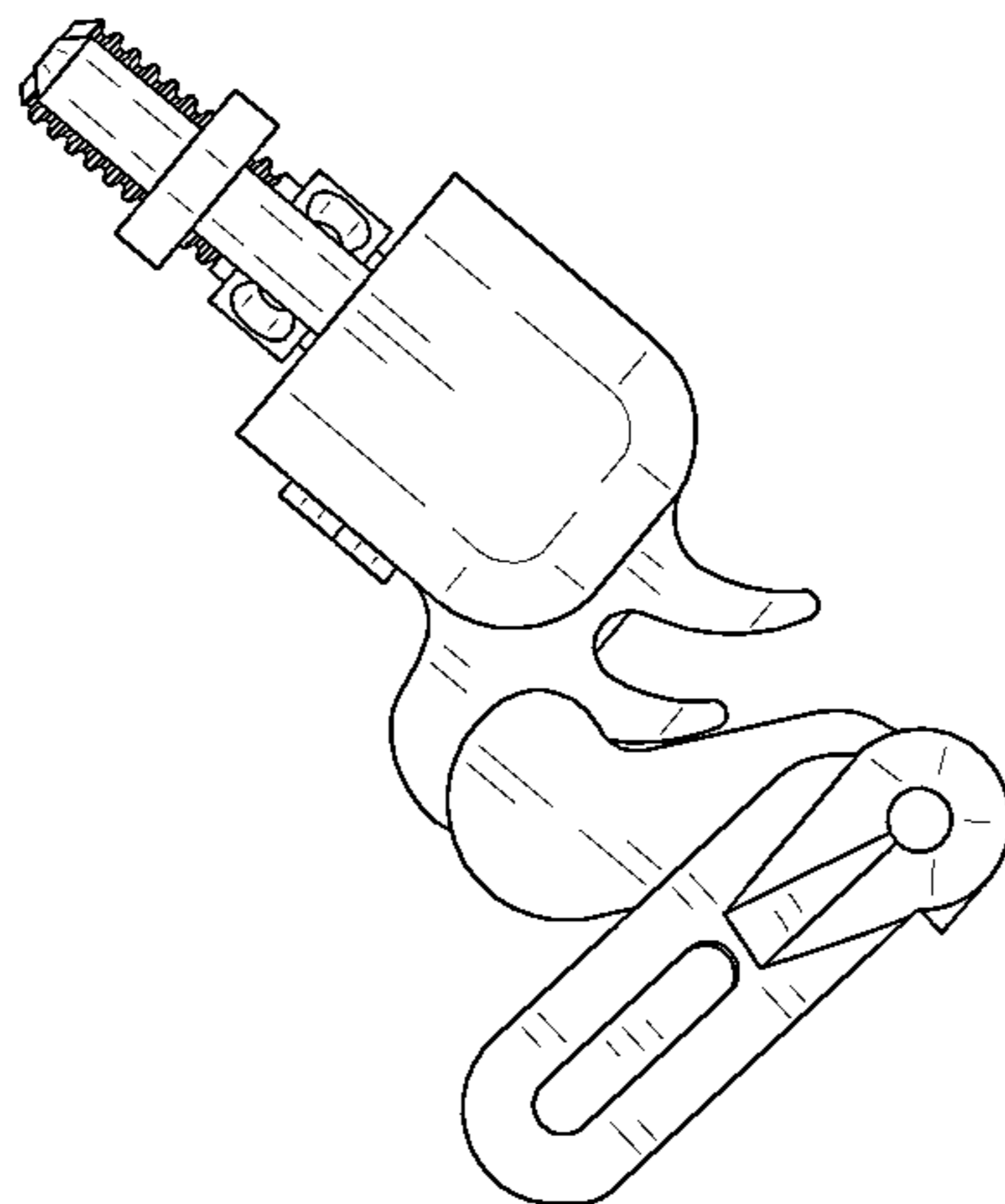


FIG. 16

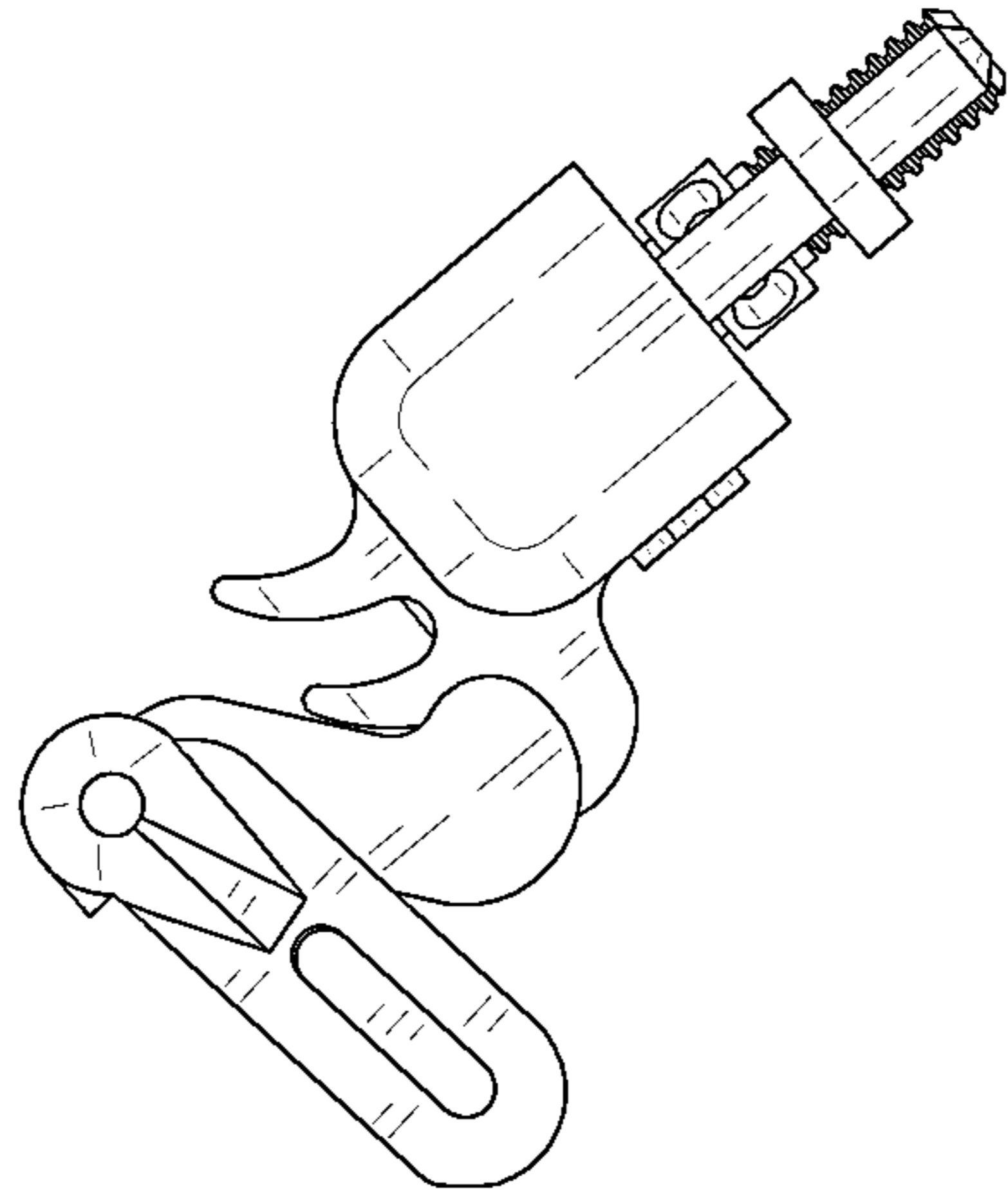


FIG. 17

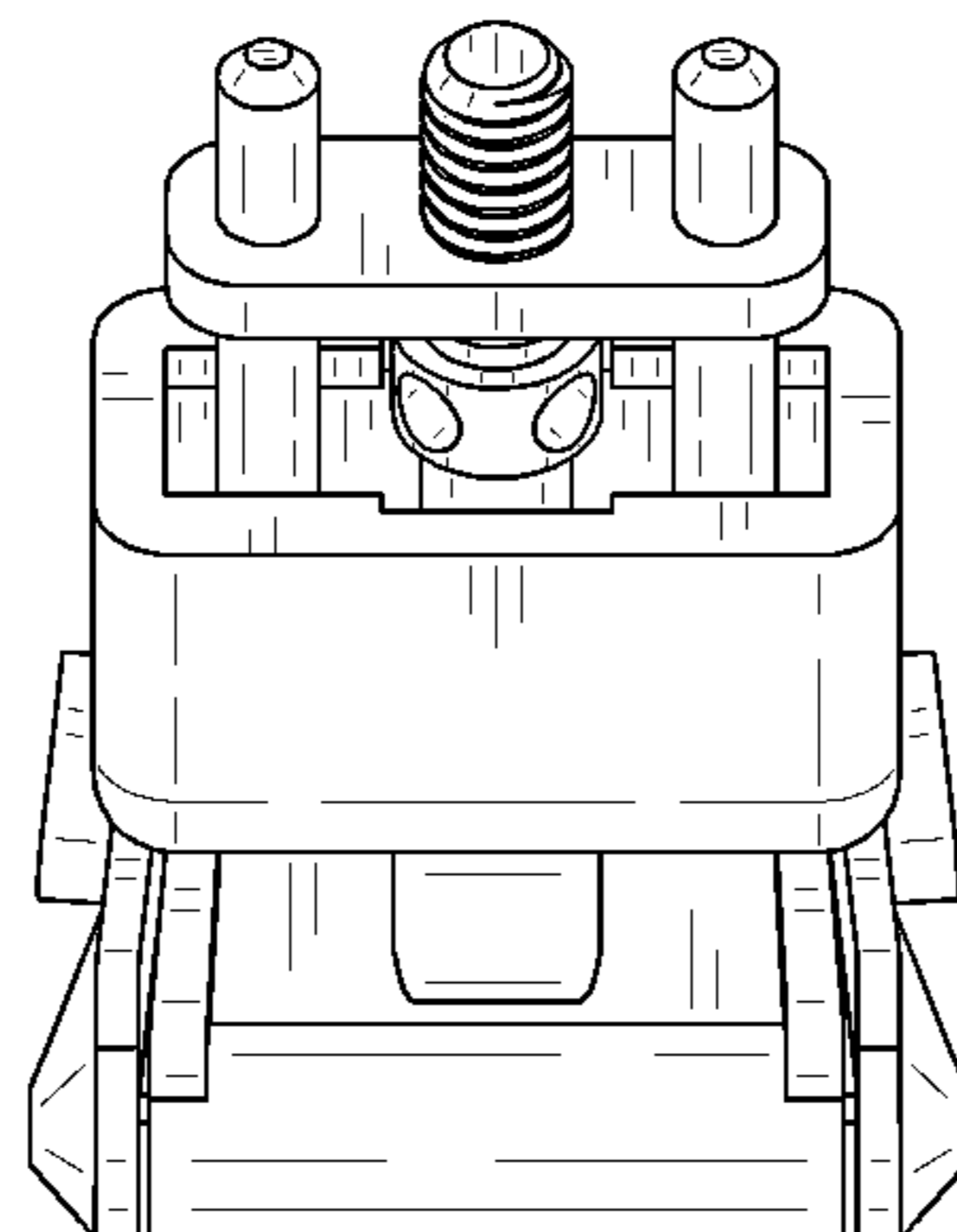




FIG. 18

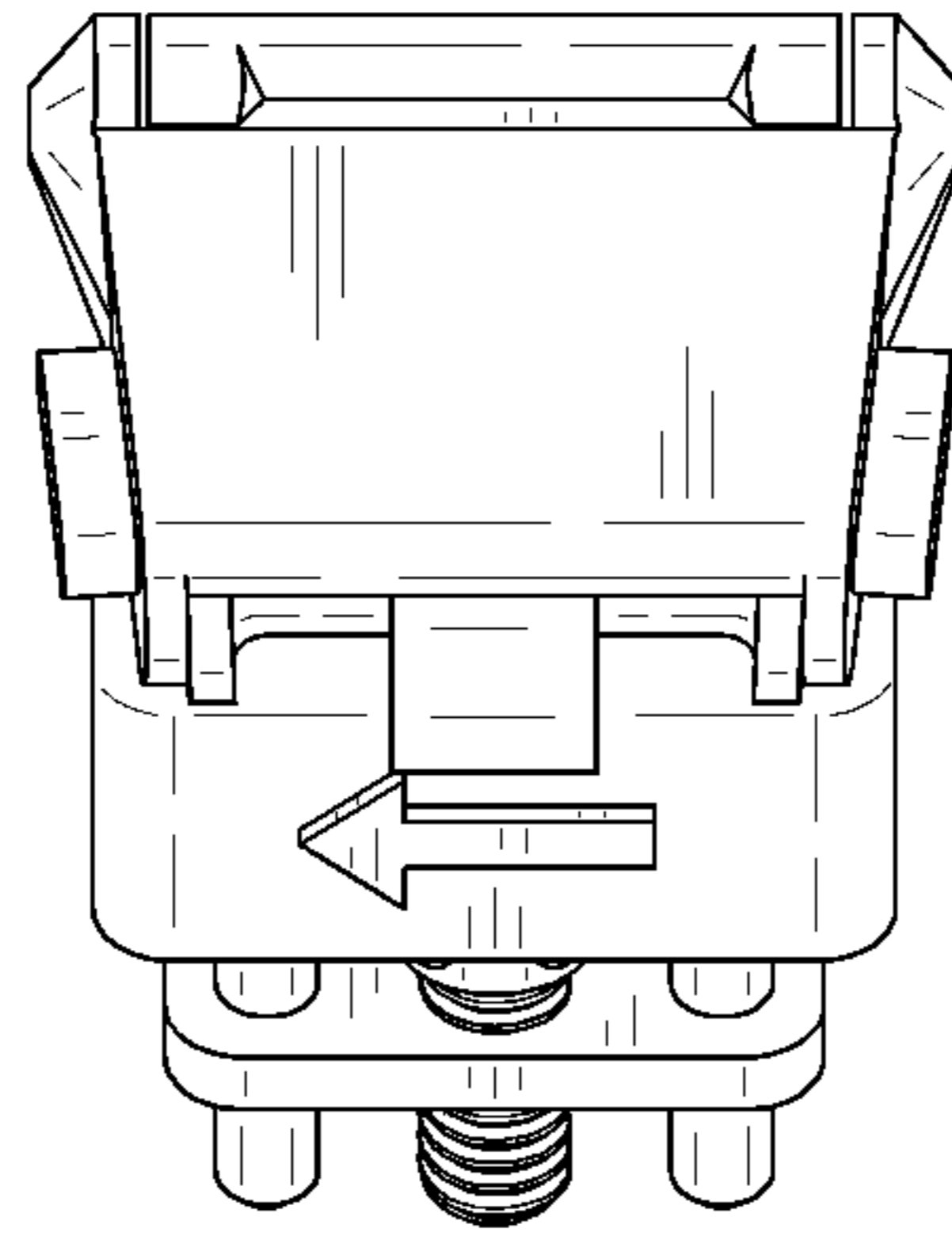


FIG. 19

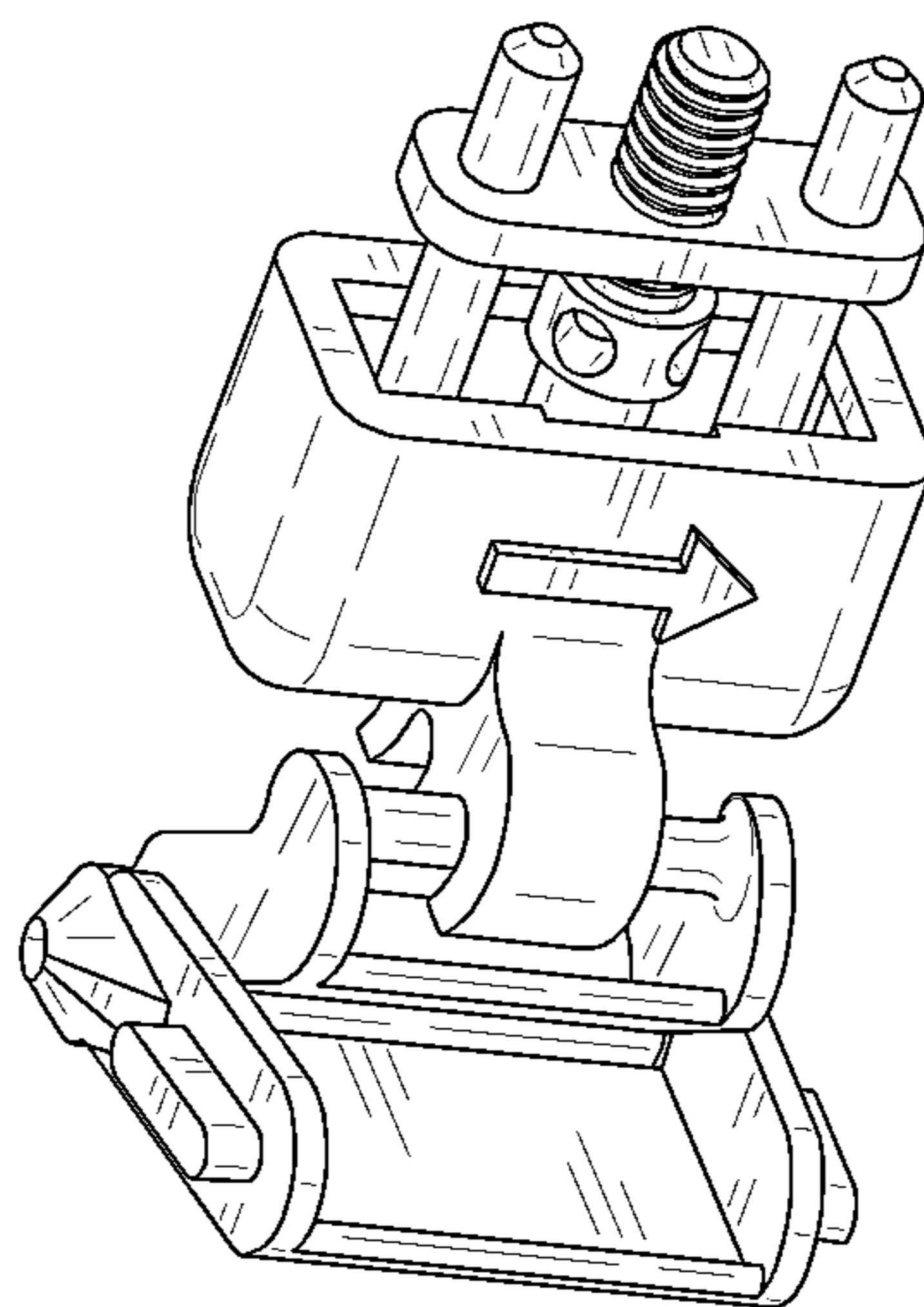


FIG. 20

