



US00D983372S

(12) **United States Design Patent** (10) **Patent No.:** **US D983,372 S**
Knox et al. (45) **Date of Patent:** **** Apr. 11, 2023**

(54) **HUMERAL IMPLANT**

FOREIGN PATENT DOCUMENTS

(71) Applicant: **HOWMEDICA OSTEONICS CORP.**,
Mahwah, NJ (US)

CA 211535 A 5/1921
CA 211535 A 5/2022
CA 211538 * 5/2022

(72) Inventors: **Kevin P. Knox**, Fort Wayne, IN (US);
Austin Wyatt Mutchler, Warsaw, IN
(US); **Shawn M. Gargac**, Fort Wayne,
IN (US); **Alexander Paul Wolfe**, Fort
Wayne, IN (US); **David R. Stump**,
Columbia City, IN (US)

OTHER PUBLICATIONS

Med Gadget, "Tornier Announces First Implant in U.S. Trial of Its
Simpliciti Stemless Shoulder Joint Replacement System", first
available Aug. 5, 2011. ([https://www.medgadget.com/2011/08/
tornier-announces-first-implant-in-u-s-trial-of-its-simpliciti-stemless-
shoulder-joint-replacement-system.html](https://www.medgadget.com/2011/08/tornier-announces-first-implant-in-u-s-trial-of-its-simpliciti-stemless-shoulder-joint-replacement-system.html)) (Year: 2011).*

(73) Assignee: **HOWMEDICA OSTEONICS CORP.**,
Mahwah, NJ (US)

(Continued)

(**) Term: **15 Years**

Primary Examiner — Lauren D McVey

Assistant Examiner — Justin A Johnson

(21) Appl. No.: **29/790,064**

(74) *Attorney, Agent, or Firm* — Duane Morris LLP

(22) Filed: **Nov. 3, 2021**

(57) **CLAIM**

The ornamental design for a humeral implant, as shown and
described.

Related U.S. Application Data

DESCRIPTION

(62) Division of application No. 29/729,987, filed on Mar.
31, 2020, now Pat. No. Des. 938,034.

(51) **LOC (14) Cl.** **24-03**

(52) **U.S. Cl.**
USPC **D24/155**

(58) **Field of Classification Search**
USPC D24/107, 155
CPC A61F 2/00; A61F 2/02; A61F 2/28; A61F
2/50
See application file for complete search history.

FIG. 1 is a perspective view of an embodiment of a humeral
implant of our design;
FIG. 2 is a front view of the design of FIG. 1;
FIG. 3 is a rear view of the design of FIG. 1;
FIGS. 4 and 5 are side views of the design of FIG. 1;
FIG. 6 is a top view of the design of FIG. 1; and
FIG. 7 is a bottom view of the design of FIG. 1.
FIG. 8 is a perspective view of another embodiment of a
humeral implant of our design;
FIG. 9 is a front view of the design of FIG. 8;
FIG. 10 is a rear view of the design of FIG. 8;
FIGS. 11 and 12 are side views of the design of FIG. 8;
FIG. 13 is a top view of the design of FIG. 8; and,
FIG. 14 is a bottom view of the design of FIG. 8.
All features illustrated in broken lines form no part of the
claimed design.

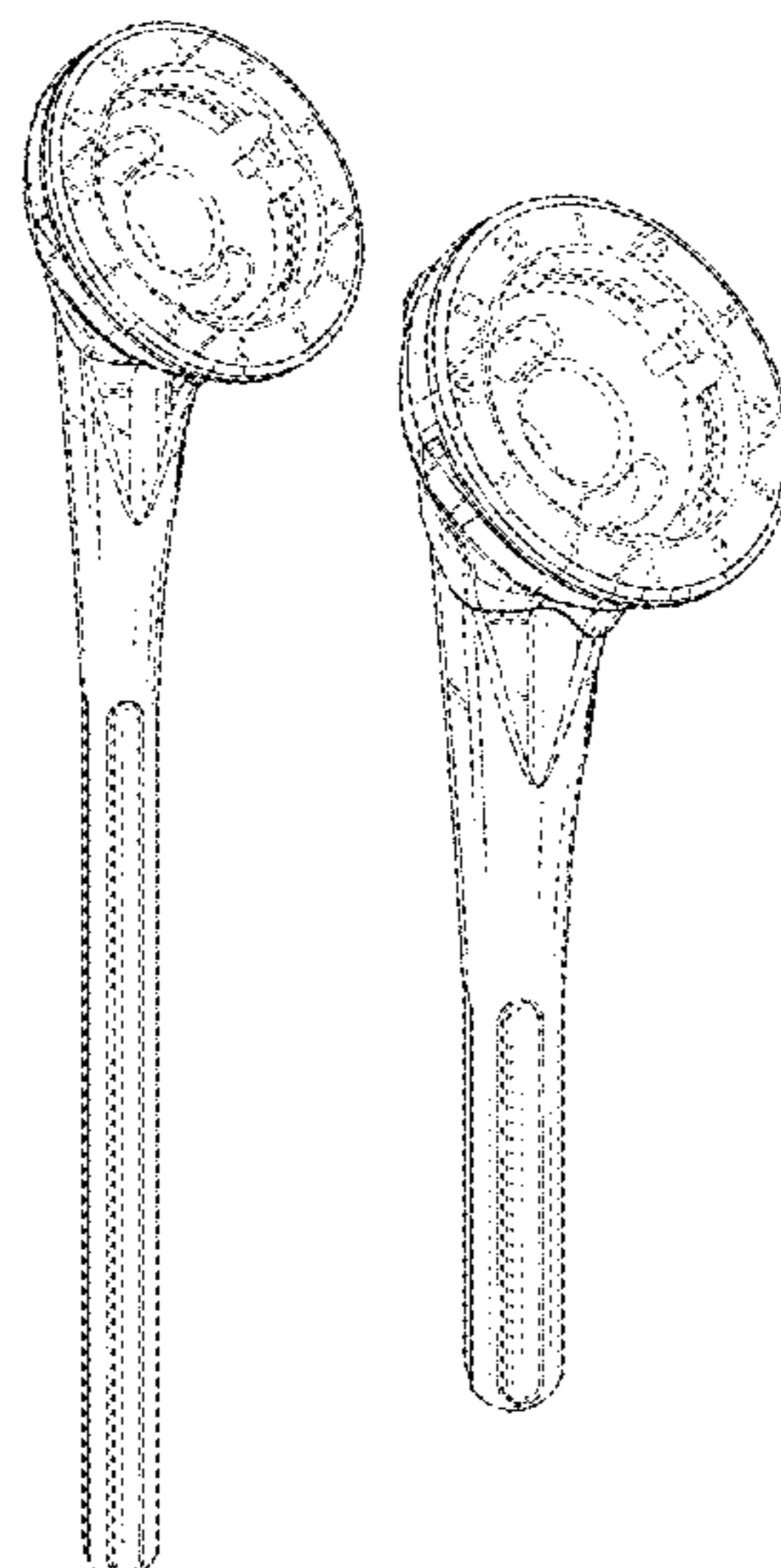
(56) **References Cited**

U.S. PATENT DOCUMENTS

3,314,420 A * 4/1967 Smith A61F 2/30767
433/175
D243,286 S * 2/1977 Deyerle D24/155
5,665,118 A * 9/1997 LaSalle B33Y 10/00
623/23.5

(Continued)

1 Claim, 12 Drawing Sheets



(56)

References Cited

U.S. PATENT DOCUMENTS

D433,130	S	10/2000	Cude et al.	
D440,630	S	4/2001	Gottwald	
6,530,957	B1 *	3/2003	Jack	A61F 2/4014 623/19.14
D617,459	S	6/2010	Bogue	
8,579,984	B2	11/2013	Borowsky	
D705,438	S	5/2014	Wainwright et al.	
D743,552	S	11/2015	Bronnimann et al.	
D744,612	S	12/2015	Peterson et al.	
D757,252	S *	5/2016	Von Moger	D24/110.5
D765,260	S	8/2016	Sparr	
D776,295	S	1/2017	Wainwright et al.	
9,597,190	B2 *	3/2017	Chavarria	A61F 2/4059
9,603,712	B2 *	3/2017	Bachmaier	A61F 2/4059
9,610,165	B2 *	4/2017	Poncet	A61F 2/4014
9,622,869	B2 *	4/2017	Nerot	A61F 2/4014
9,925,047	B2 *	3/2018	Klotz	A61F 2/30
9,956,083	B2 *	5/2018	Humphrey	A61F 2/4003
10,722,373	B2	7/2020	Hodorek et al.	
D896,369	S	9/2020	Chase et al.	
D908,874	S	1/2021	Conklin	
D938,590	S *	12/2021	Wolfe	D24/155
11,229,522	B2 *	1/2022	Nerot	A61F 2/4014
2004/0153161	A1 *	8/2004	Stone	A61F 2/4059 623/22.41
2009/0210065	A1	8/2009	Nerot et al.	
2013/0245775	A1	9/2013	Metcalf	
2014/0236304	A1	8/2014	Hodorek et al.	
2017/0304063	A1	10/2017	Hatzidakis et al.	
2020/0214845	A1	7/2020	Knox et al.	

OTHER PUBLICATIONS

Wright Media, "Tornier Aequalis Reversed FX", first available May 19, 2016. (https://www.wrightmedia.com/ProductFiles/Files/PDFs/CAW-1146_EN_LR_LE.pdf) (Year: 2016).*

Wright Media, "Aequalis Ascend Flex", first available Jul. 30, 2019. (https://www.wrightmedia.com/ProductFiles/Files/PDFs/AP-010187_EN_LR_LE.pdf) (Year: 2019).*

Arthrex, "Univers Revers Shoulder System", first available Apr. 24, 2019. (https://www.arthrex.com/resources/surgical-technique-guide/qkv6M00_50qt2QFBx1PKnA/univers-revers-shoulder-system) (Year: 2019).*

Med Gadget, "Tornier Announces First Implant in U.S. Trial of Its Simpliciti Stemless Shoulder Joint Replacement System", first available Aug. 5, 2011. (<https://www.medgadget.com/2011/08/tornier-announces-first-implant-in-u-s-trial-of-its-simpliciti-stemless-shoulder-joint-replacement-system.html>) (Year: 2011).

Wright Media, "Tornier Aequalis Reversed FX", first available May 19, 2016. (https://www.wrightmedia.com/ProductFiles/Files/PDFs/CAW-1146_EN_LR_LE.pdf) (Year: 2016).

Wright Media, "Aequalis Ascend Flex", first available Jul. 30, 2019. (https://www.wrightmedia.com/ProductFiles/Files/PDFs/AP-010187_EN_LR_LE.pdf) (Year: 2019).

Arthrex, "Univers Revers Shoulder System", first available Apr. 24, 2019. (https://www.arthrex.com/resources/surgical-technique-guide/qkv6M00_50qt2QFBx1PKnA/univers-revers-shoulder-system) (Year: 2019).

Med Gadget, "Tornier Announces First Implant in U.S. Trial of Its Simpliciti Stemless Shoulder Joint Replacement System", first available Aug. 5, 2011. (<https://www.medgadget.com/2011/08/tornier-announces-first-implant-in-u-s-trial-of-its-simpliciti-stemless-shoulder-joint-replacement-system.html>) (Year: 2011), 1 page.

Arthrex, "Univers Revers Shoulder System", first available Apr. 24, 2019. (https://www.arthrex.com/resources/surgical-technique-guide/qkv6M00_50qt2QFBx1PKnA/univers-revers-shoulder-system) (Year: 2019), 36 pages.

Wright Media, "Tornier Aequalis Reversed FX", first available May 19, 2016. (https://www.wrightmedia.com/ProductFiles/Files/PDFs/CAW-1146_EN_LR_LE.pdf) (Year: 2016), 6 pages.

* cited by examiner

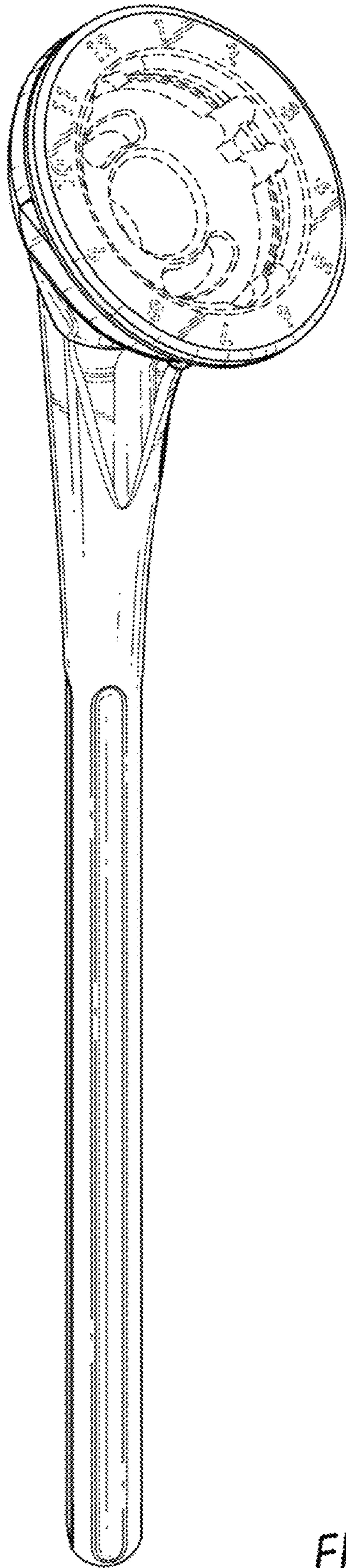


FIG. 1

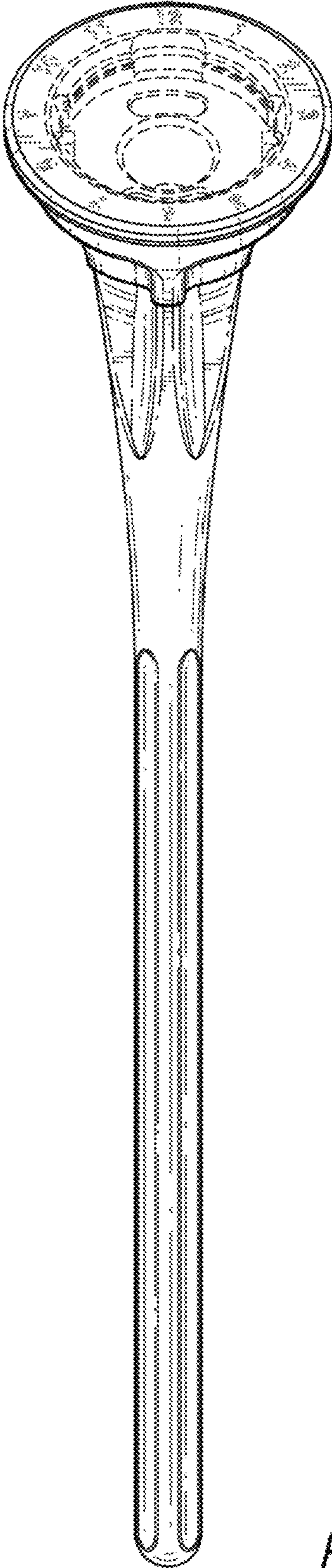
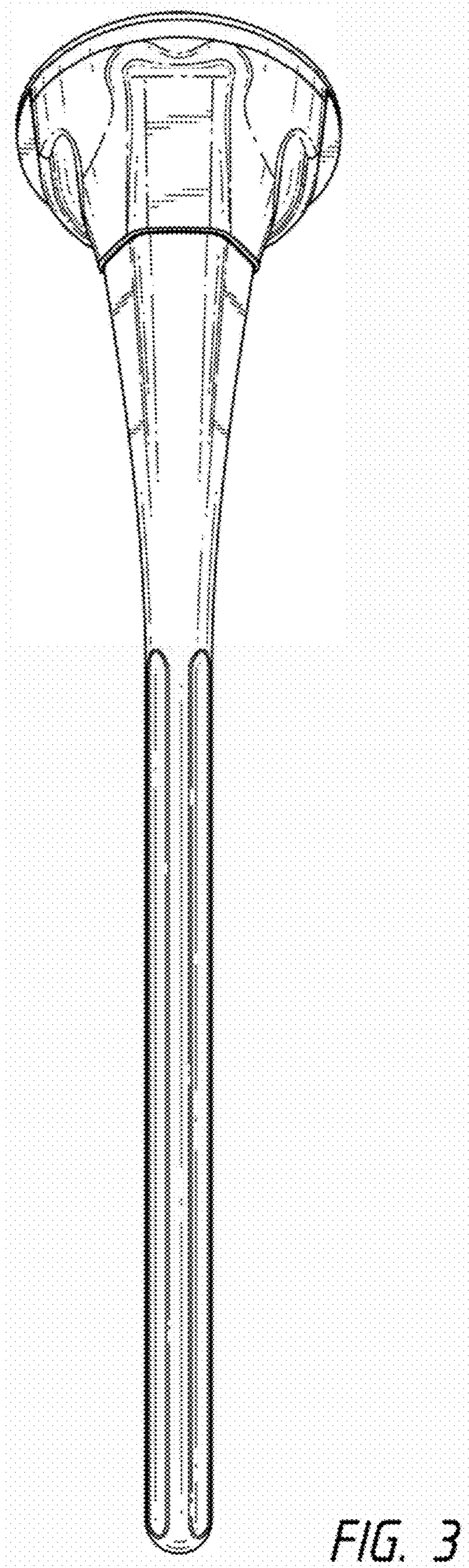


FIG. 2



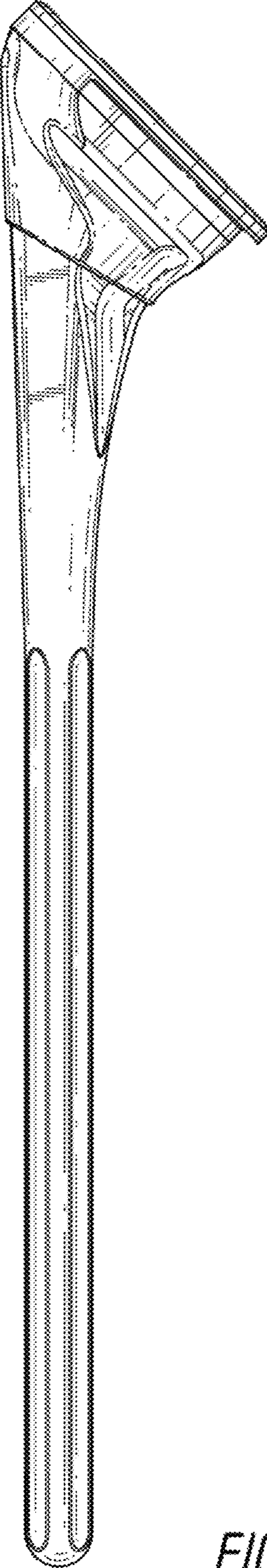


FIG. 4

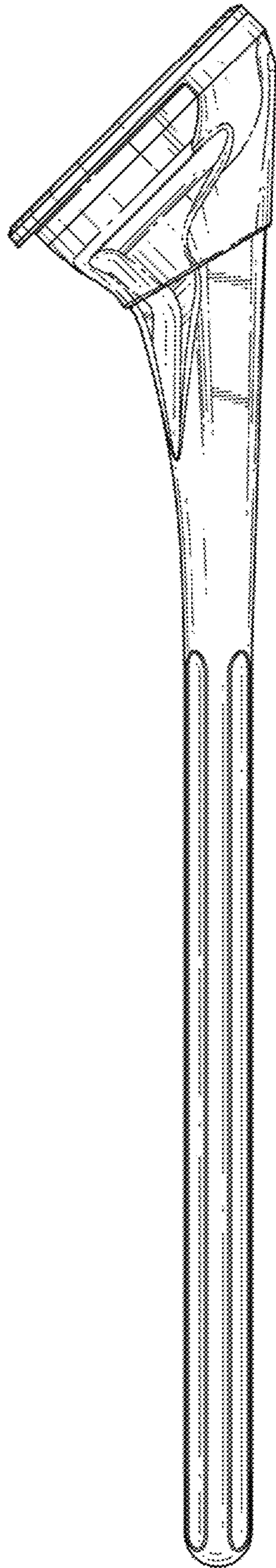


FIG. 5

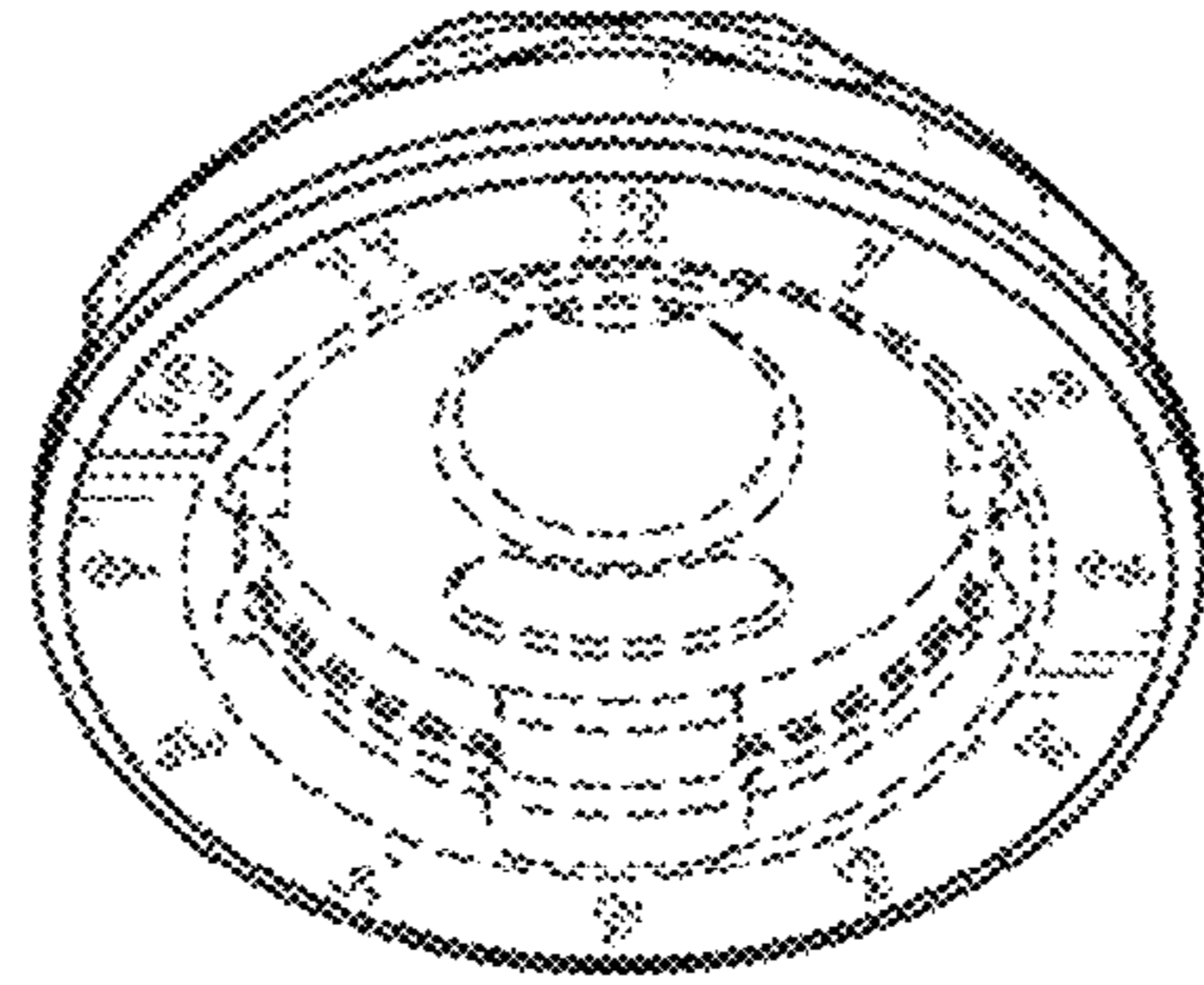


FIG. 6

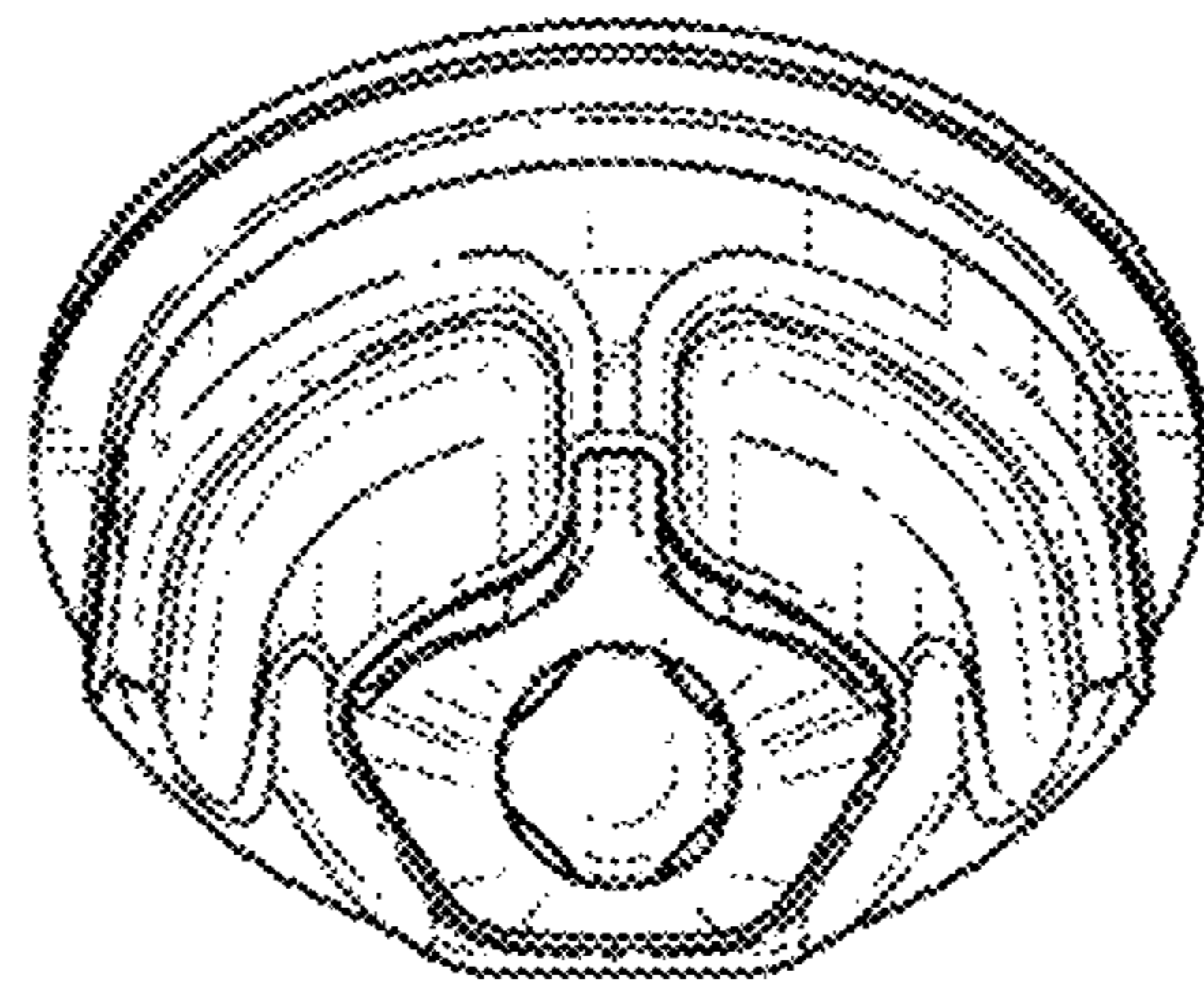


FIG. 7

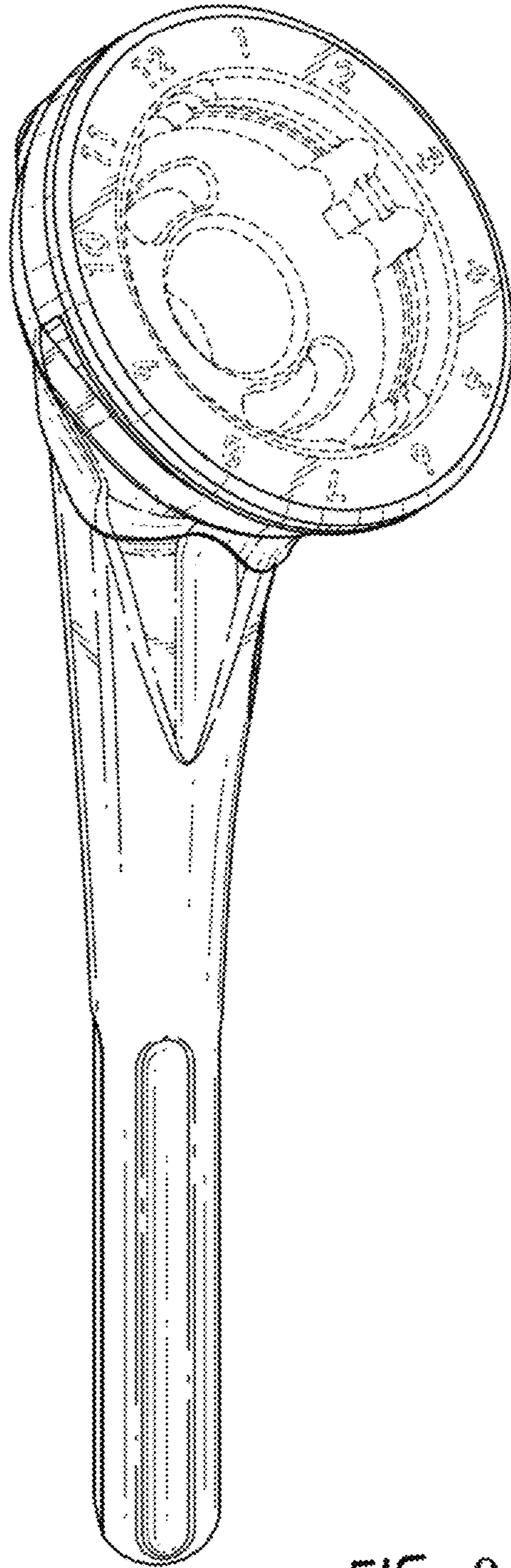


FIG. 8

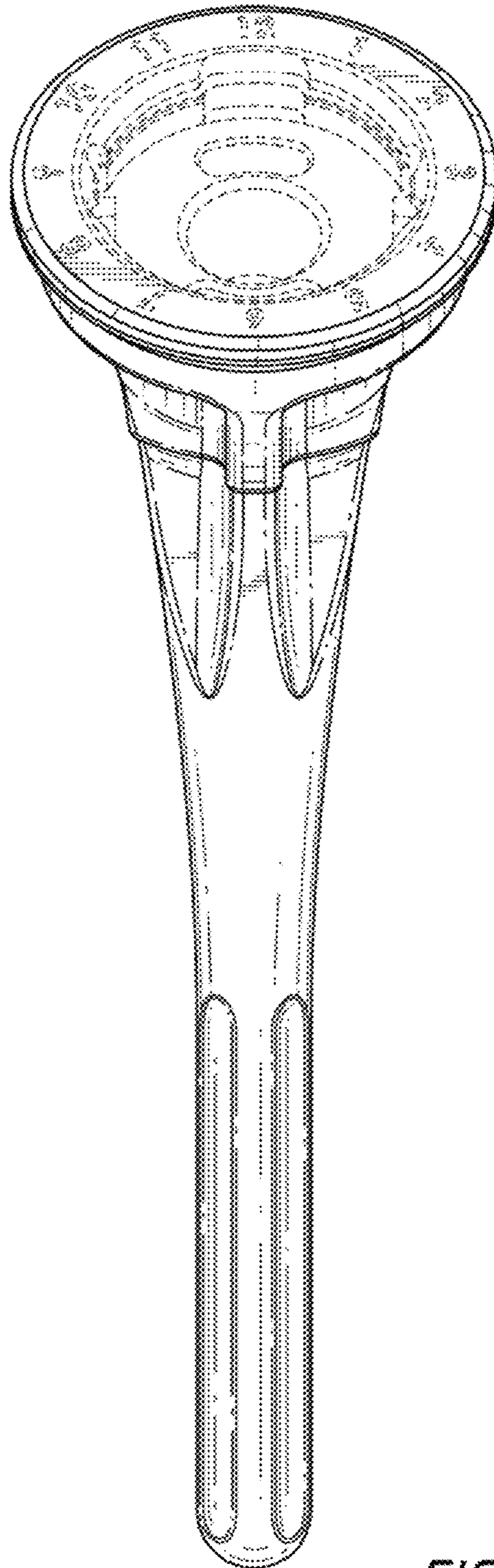


FIG. 9

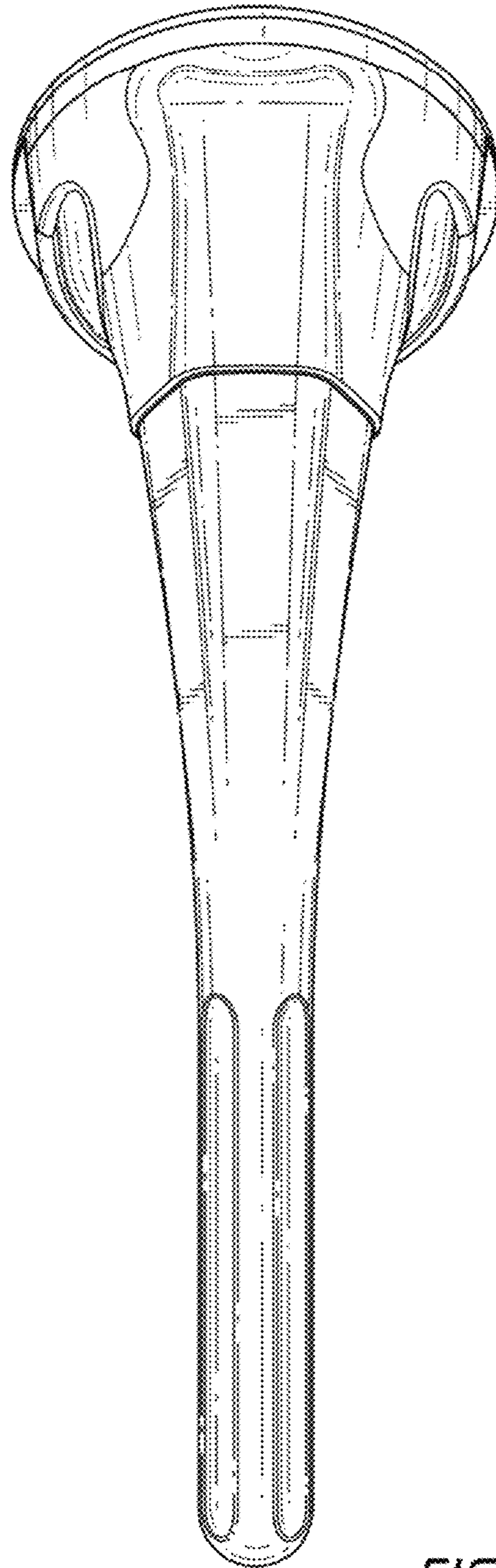


FIG. 10

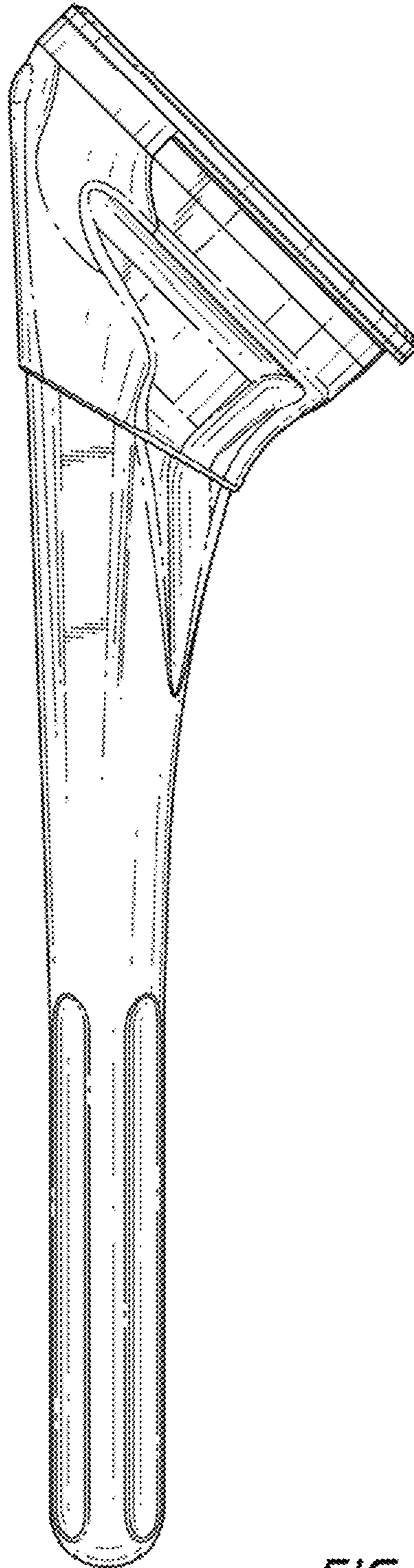


FIG. 11

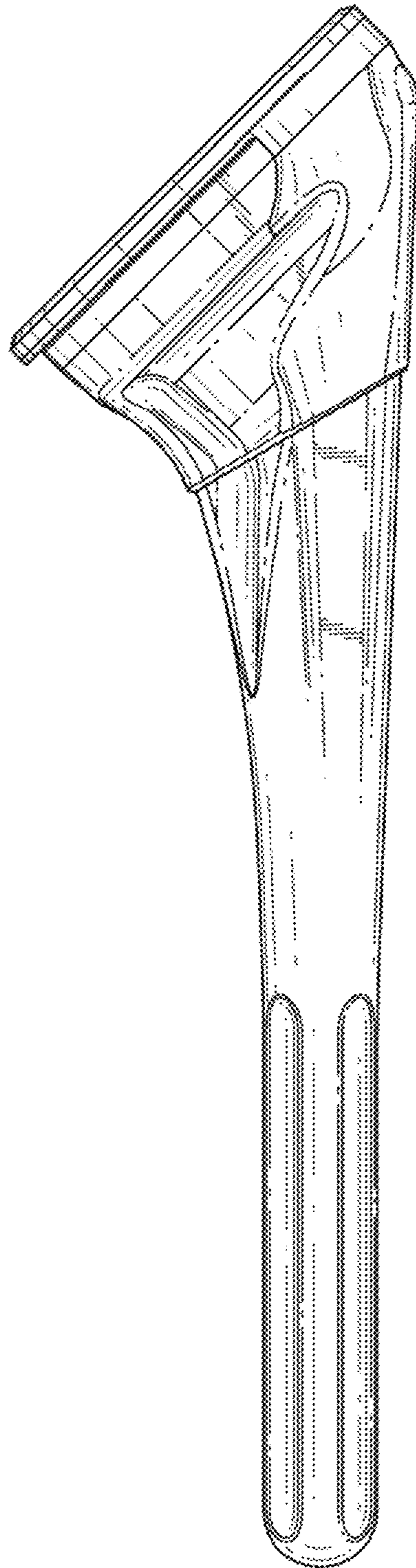


FIG. 12

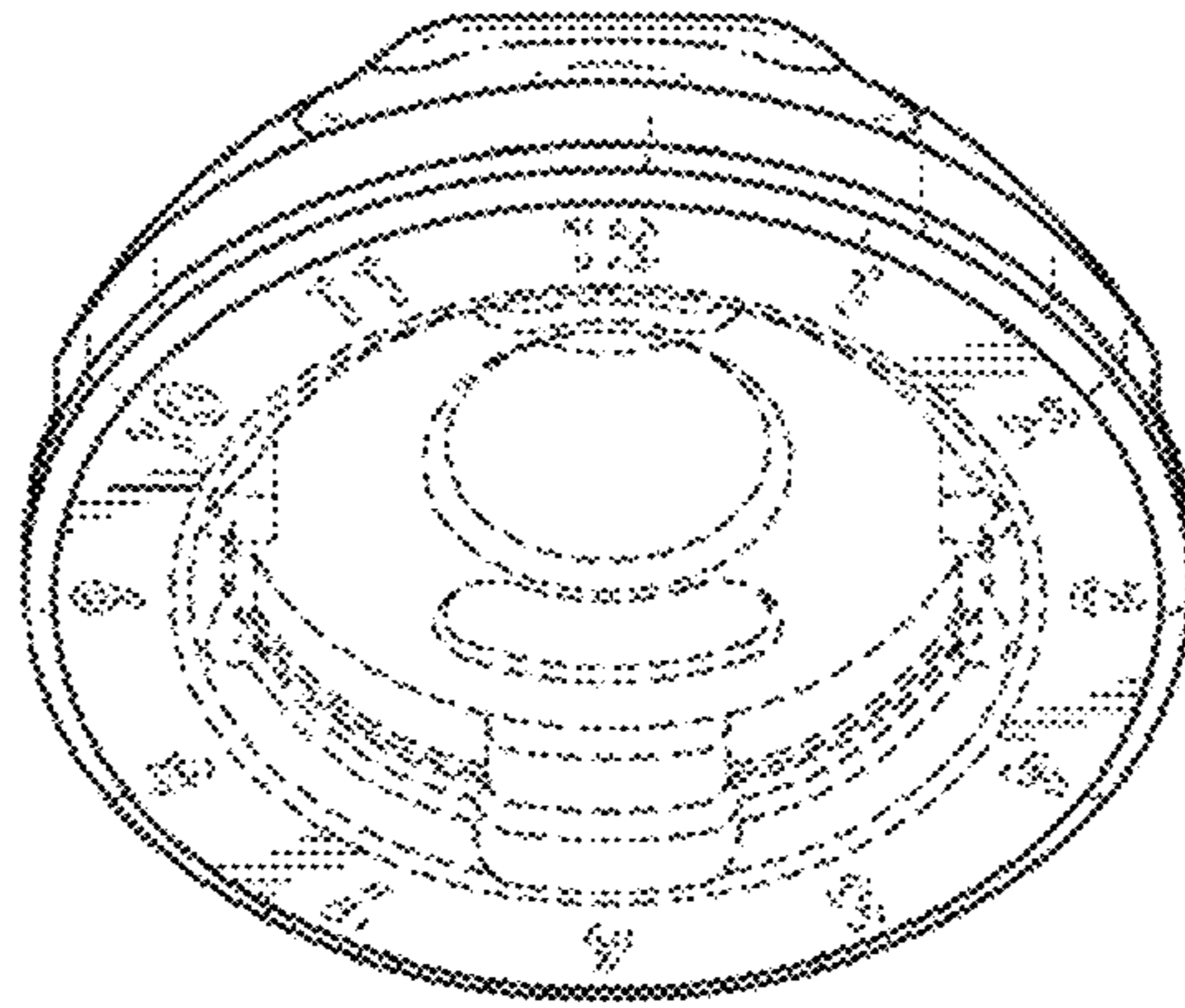


FIG. 13

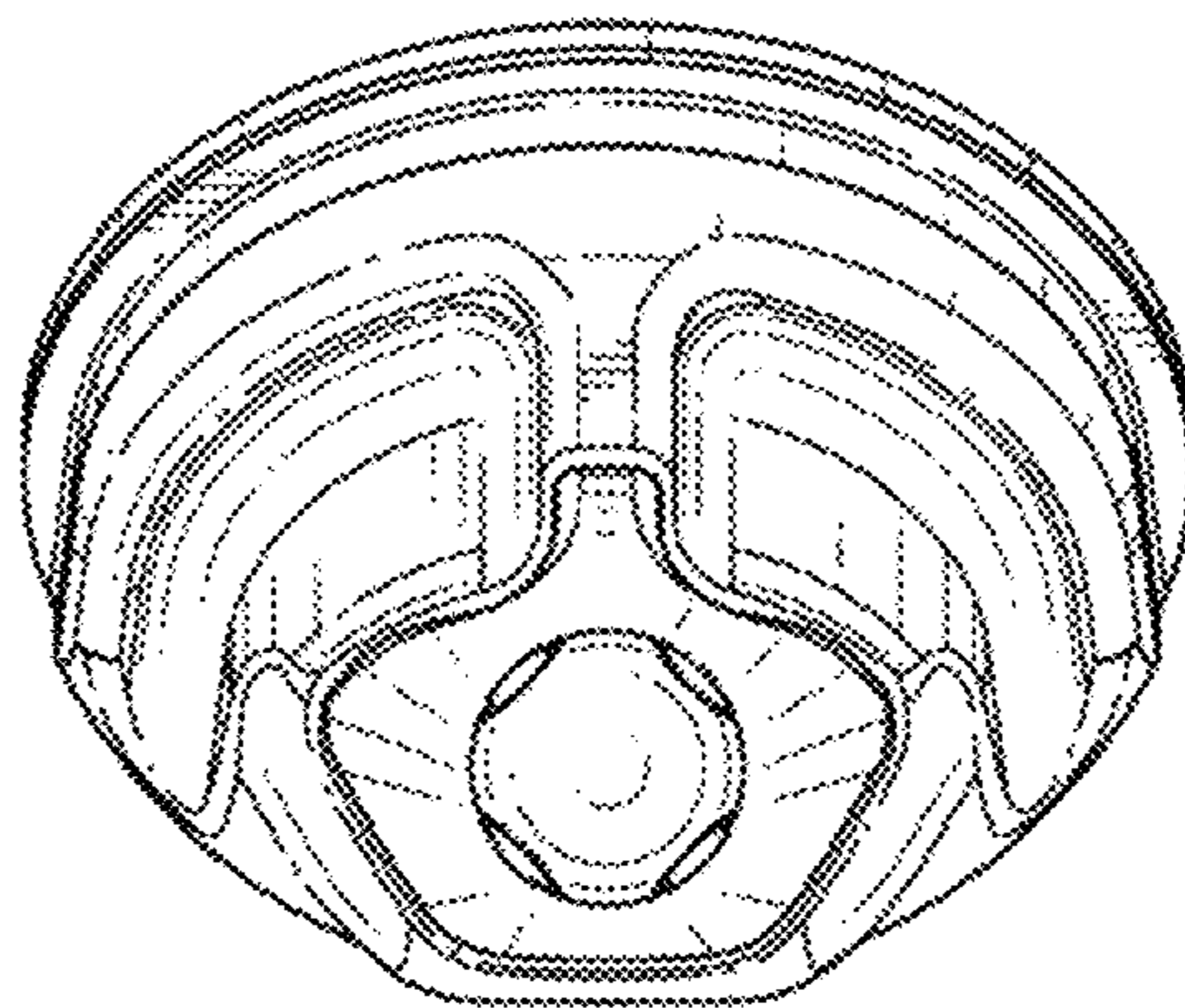


FIG. 14