



US00D983370S

(12) **United States Design Patent**  
**Vyas**

(10) **Patent No.:** **US D983,370 S**  
(45) **Date of Patent:** **\*\* Apr. 11, 2023**

(54) **STAPLER APPARATUS**  
(71) Applicant: **Dinesh Vyas**, Elk Grove, CA (US)  
(72) Inventor: **Dinesh Vyas**, Elk Grove, CA (US)  
(73) Assignee: **MV SURGICAL MEDICAL DEVICES, INC.**, Elk Grove, CA (US)  
(\*\*) Term: **15 Years**

(21) Appl. No.: **29/796,310**  
(22) Filed: **Jun. 23, 2021**  
(51) **LOC (14) Cl.** ..... **24-02**  
(52) **U.S. Cl.**  
USPC ..... **D24/145**  
(58) **Field of Classification Search**  
USPC ..... D24/145-147  
CPC . A61B 17/068; A61B 17/064; A61B 17/0686;  
A61B 17/0644; A61B 17/07207; A61B  
2017/0046; A61B 2017/07257; A61B  
2017/07271; A61B 2017/07282  
See application file for complete search history.

(56) **References Cited**  
U.S. PATENT DOCUMENTS  
D348,930 S \* 7/1994 Olson ..... D24/145  
D800,904 S \* 10/2017 Leimbach ..... D24/145  
D888,952 S \* 6/2020 Baxter, III ..... D24/145  
2005/0119669 A1\* 6/2005 Demmy ..... A61B 17/068  
606/139  
2007/0175964 A1\* 8/2007 Shelton ..... A61B 17/068  
227/180.1  
2008/0223903 A1\* 9/2008 Marczyk ..... A61B 17/0686  
227/175.1

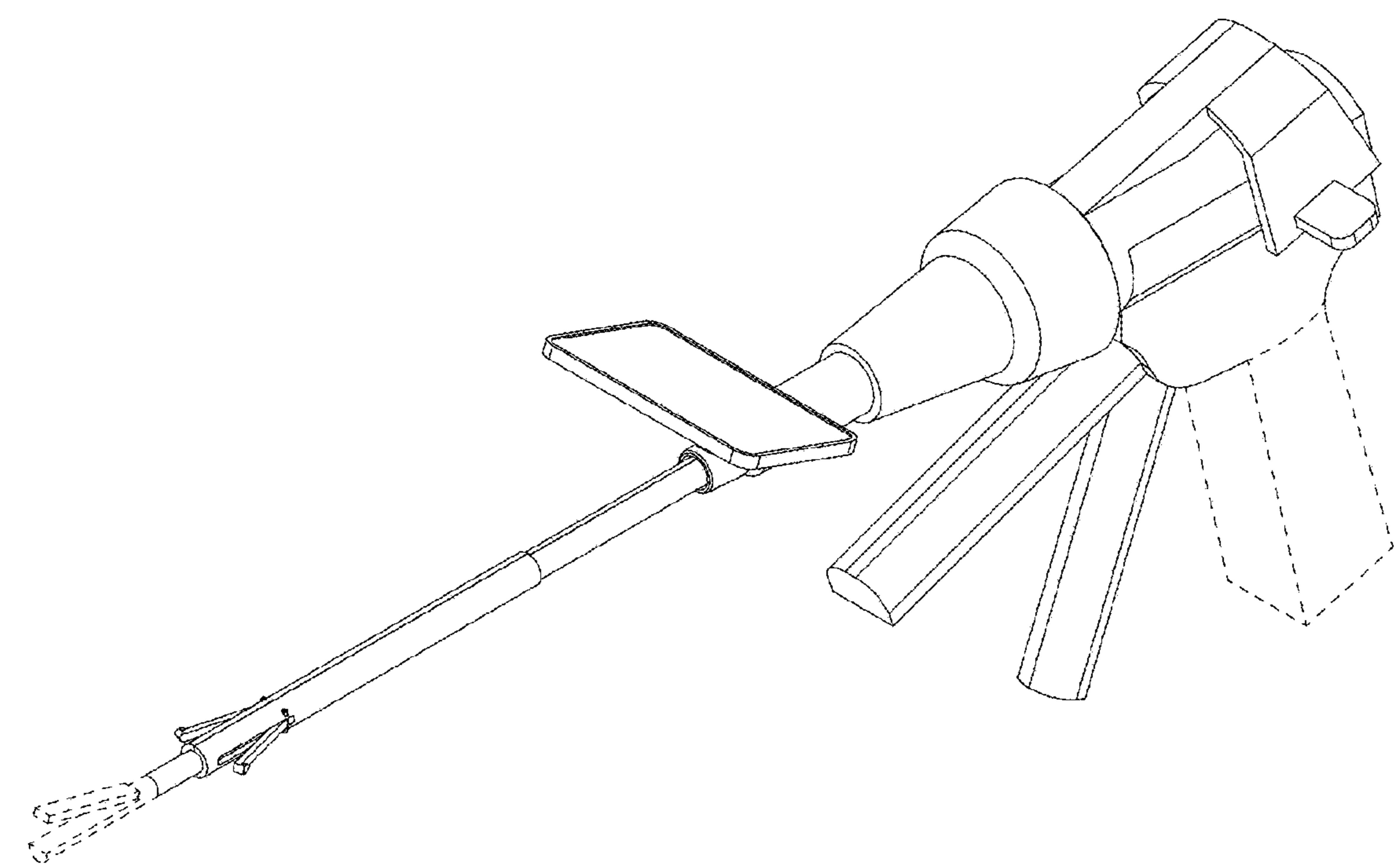
2013/0144273 A1\* 6/2013 Williams ..... A61B 17/068  
606/1  
2015/0209030 A1\* 7/2015 Kostrzewski .... A61B 17/07207  
227/175.1  
2015/0230793 A1\* 8/2015 Kostrzewski ..... A61B 17/0686  
227/176.1  
2015/0305743 A1\* 10/2015 Casasanta ..... A61B 17/068  
227/176.1  
2021/0177405 A1\* 6/2021 Vyas ..... A61B 17/07207  
2022/0008068 A1\* 1/2022 Vyas ..... A61B 17/07207  
2022/0192665 A1\* 6/2022 Wellman ..... A61B 17/07207

\* cited by examiner  
*Primary Examiner* — Wan Laymon  
(74) *Attorney, Agent, or Firm* — William A. English;  
Vista IP Law Group LLP

(57) **CLAIM**  
The ornamental design for the stapler apparatus, as shown and described.

**DESCRIPTION**  
FIG. 1 is a front perspective view of a stapler apparatus showing my new design;  
FIG. 2 is a front view of the embodiment of FIG. 1 (shown at an enlarged scale);  
FIG. 3 is a back view of the embodiment of FIG. 1 (shown at an enlarged scale);  
FIG. 4 is a top view of the embodiment of FIG. 1; and,  
FIG. 5 is a left side plan view of the embodiment of FIG. 1, the right side being identical.  
The dotted lines illustrate portions of the stapler apparatus and form no part of the claimed design.

**1 Claim, 3 Drawing Sheets**



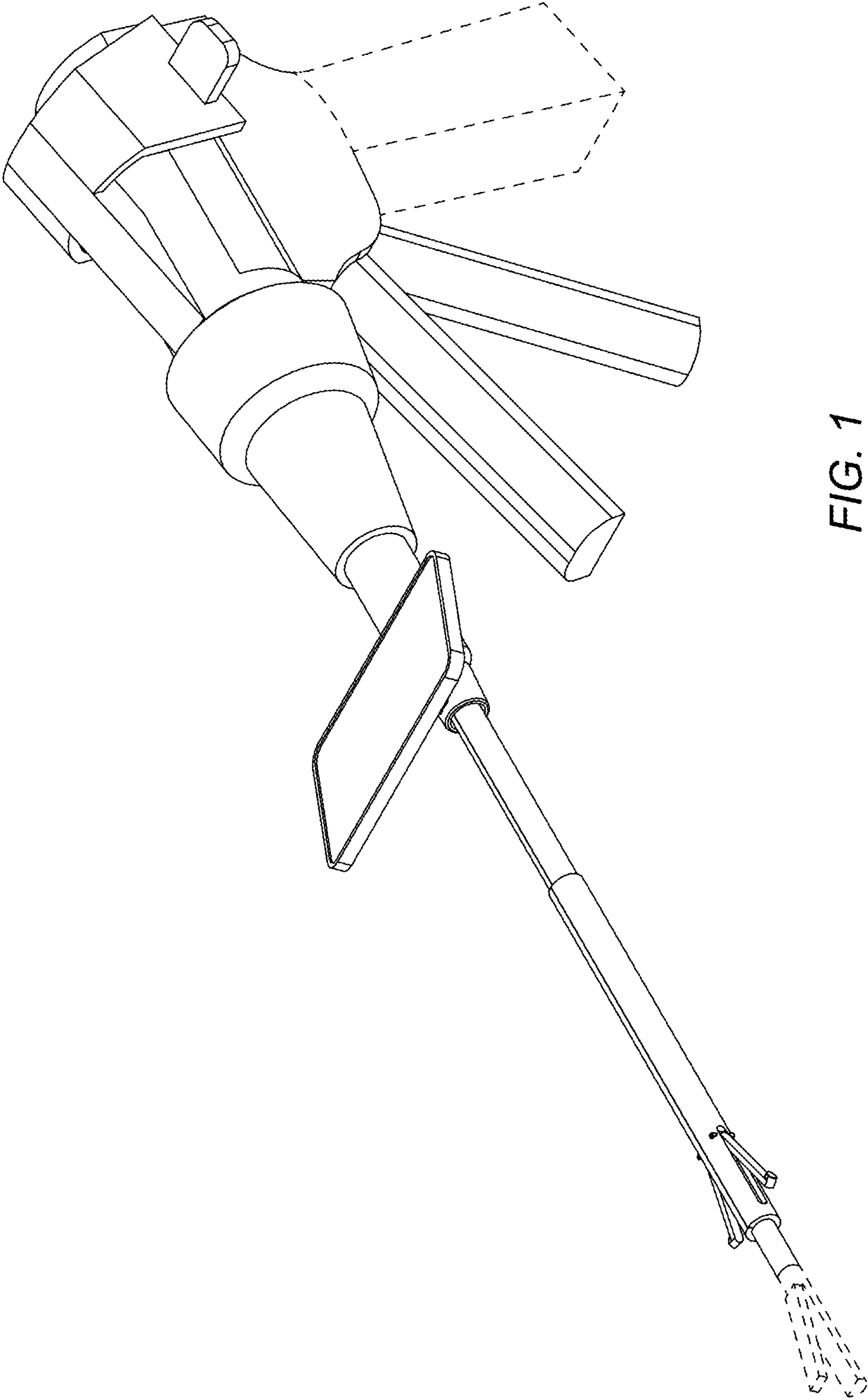


FIG. 1

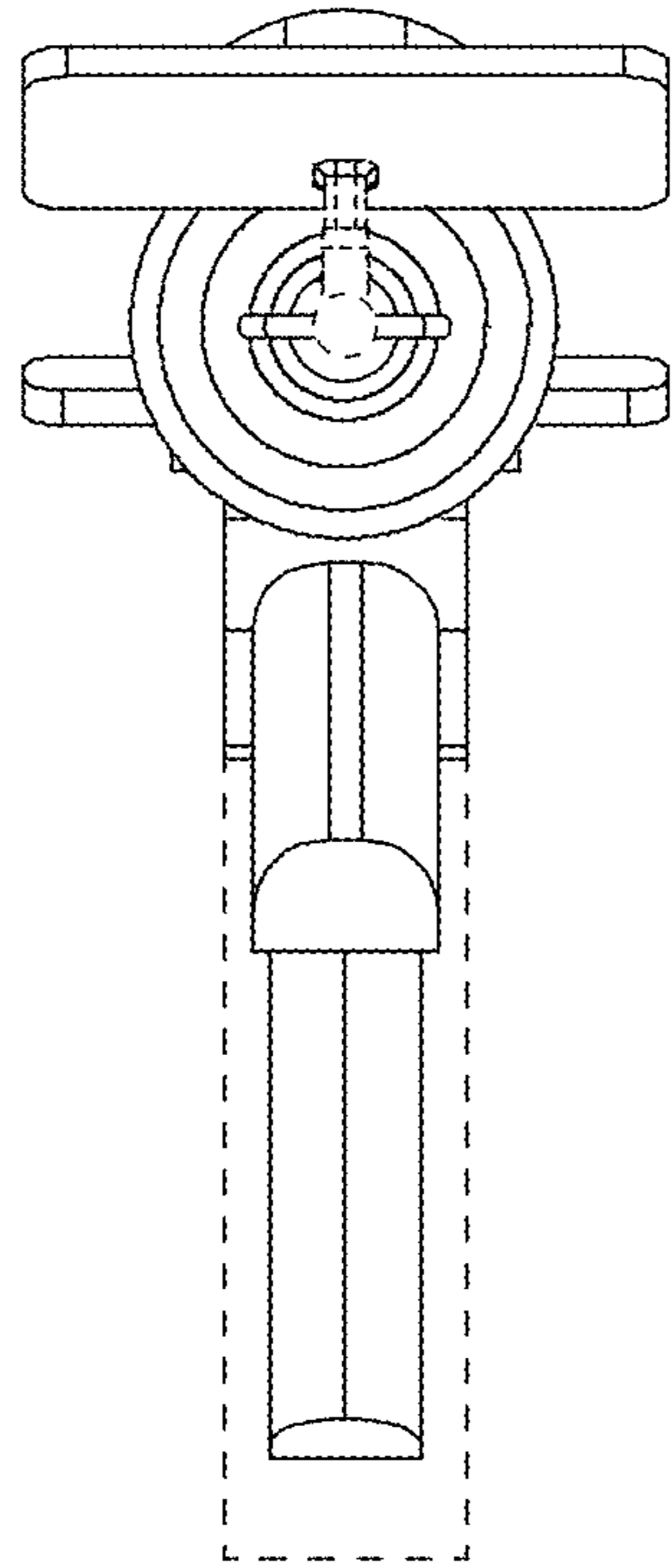


FIG. 2

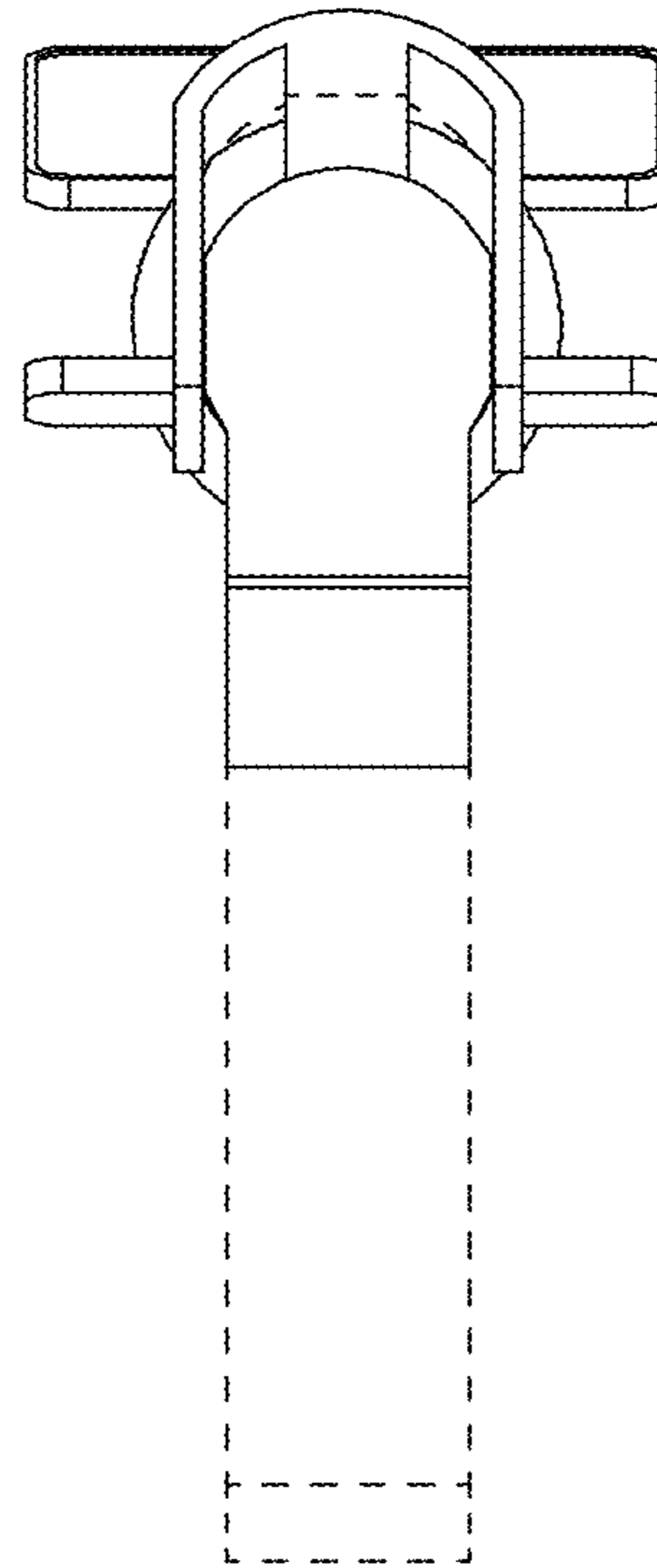


FIG. 3

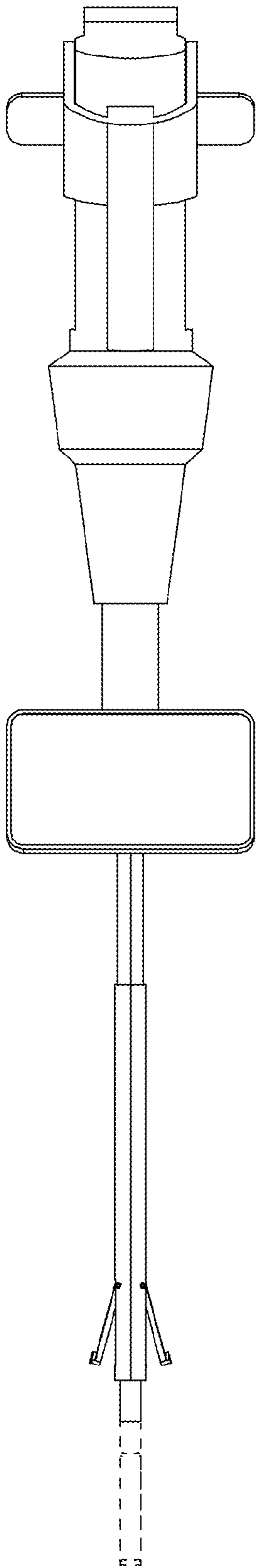


FIG. 4

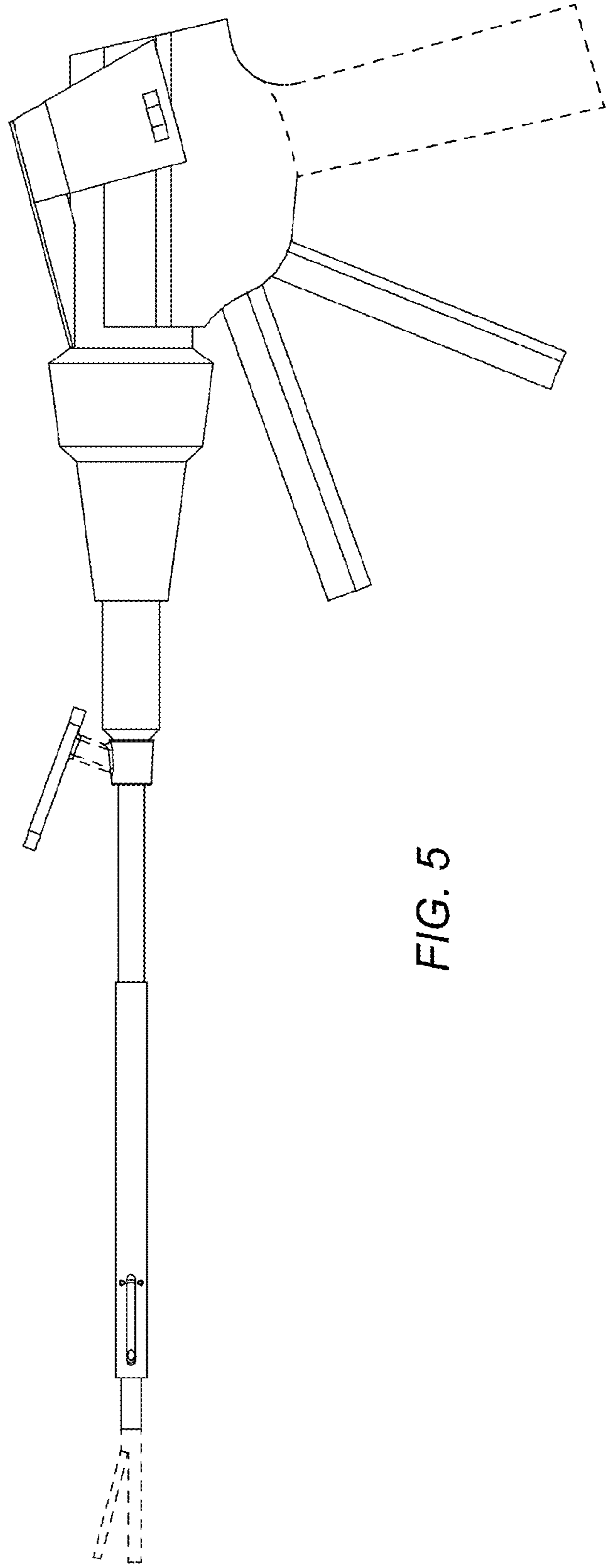


FIG. 5