



US00D983369S

(12) **United States Design Patent** (10) **Patent No.:** **US D983,369 S**  
**Sun** (45) **Date of Patent:** **\*\* Apr. 11, 2023**

(54) **DIGITAL OTOSCOPE**  
 (71) Applicant: **Yingjie Sun**, Shenzhen (CN)  
 (72) Inventor: **Yingjie Sun**, Shenzhen (CN)  
 (\*\*) Term: **15 Years**  
 (21) Appl. No.: **29/672,539**  
 (22) Filed: **Dec. 6, 2018**  
 (51) **LOC (14) Cl.** ..... **24-02**  
 (52) **U.S. Cl.**  
 USPC ..... **D24/137**  
 (58) **Field of Classification Search**  
 USPC ..... D24/133, 134, 137, 138, 151  
 CPC ..... A61B 1/227  
 See application file for complete search history.

(56) **References Cited**  
 U.S. PATENT DOCUMENTS  
 D566,838 S \* 4/2008 Slawson ..... D24/137  
 D598,545 S \* 8/2009 Haines, III ..... D24/137  
 D638,935 S \* 5/2011 Gilmore, III ..... D24/133  
 D653,335 S \* 1/2012 Kampa ..... D24/130  
 D653,337 S \* 1/2012 Kampa ..... D24/130  
 D709,192 S \* 7/2014 Czapalla ..... D24/138  
 D776,809 S \* 1/2017 Vallee ..... D24/137  
 D776,810 S \* 1/2017 Tseng ..... D24/137

D797,283 S \* 9/2017 Ogura ..... D24/138  
 D799,694 S \* 10/2017 Mori ..... D24/133  
 D802,129 S \* 11/2017 Im ..... D24/137  
 D802,130 S \* 11/2017 Im ..... D24/137  
 D804,649 S \* 12/2017 Perry ..... D24/108  
 D827,842 S \* 9/2018 Bainton ..... D24/200  
 D827,843 S \* 9/2018 Bainton ..... D24/200  
 D862,717 S \* 10/2019 Khubani ..... D24/200  
 2017/0035283 A1 \* 2/2017 Andreassen ..... A61B 1/227

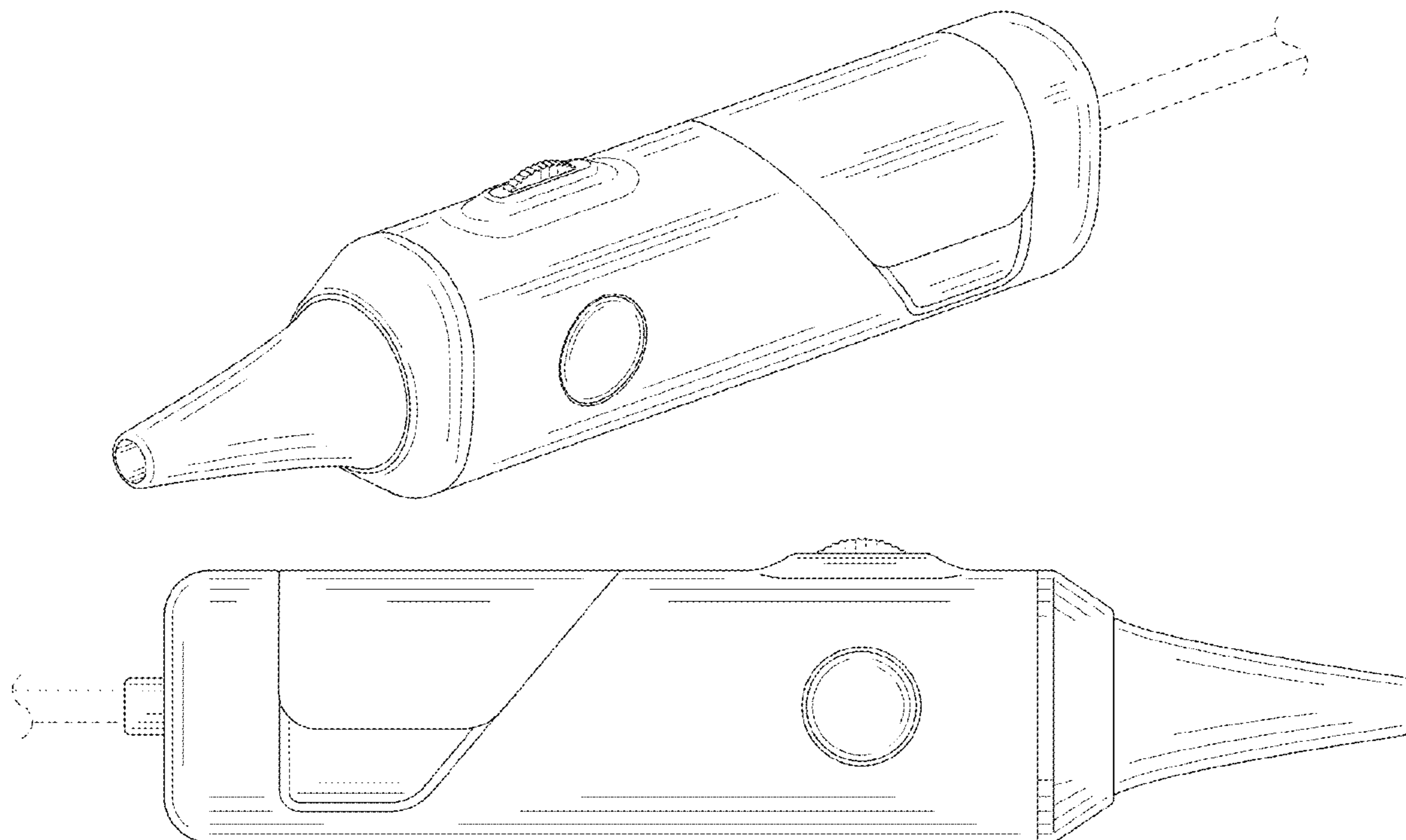
\* cited by examiner

*Primary Examiner* — Michael A. Pratt  
 (74) *Attorney, Agent, or Firm* — Dunlap Bennett & Ludwig, PLLC

(57) **CLAIM**  
 The ornamental design for a digital otoscope, as shown and described.

**DESCRIPTION**  
 FIG. 1 is a perspective view of a digital otoscope, showing my new design;  
 FIG. 2 is a front elevation view thereof;  
 FIG. 3 is a rear elevation view thereof;  
 FIG. 4 is a left elevation view thereof;  
 FIG. 5 is a right elevation view thereof;  
 FIG. 6 is a top plan view thereof; and,  
 FIG. 7 is a bottom plan view thereof.  
 The broken lines depict portions of the digital otoscope that form no part of the claimed design.

**1 Claim, 4 Drawing Sheets**



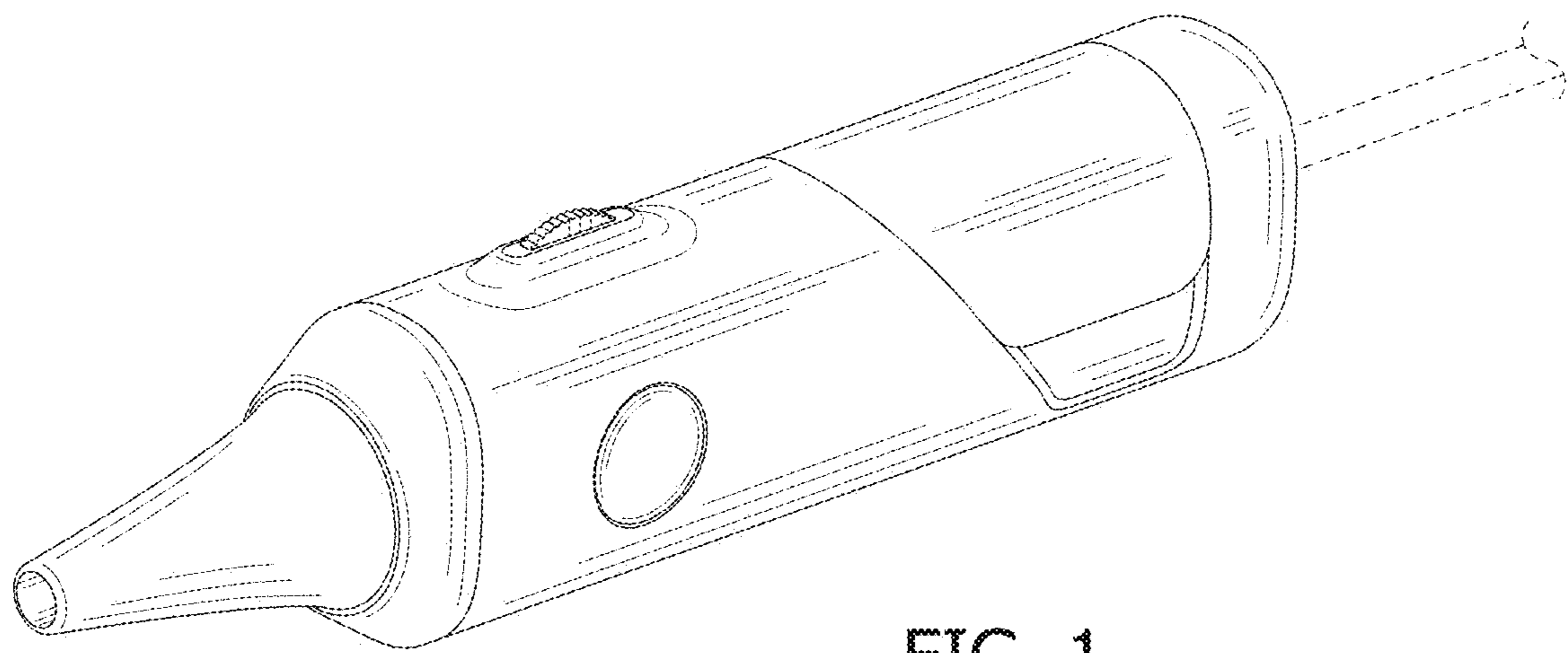


FIG. 1

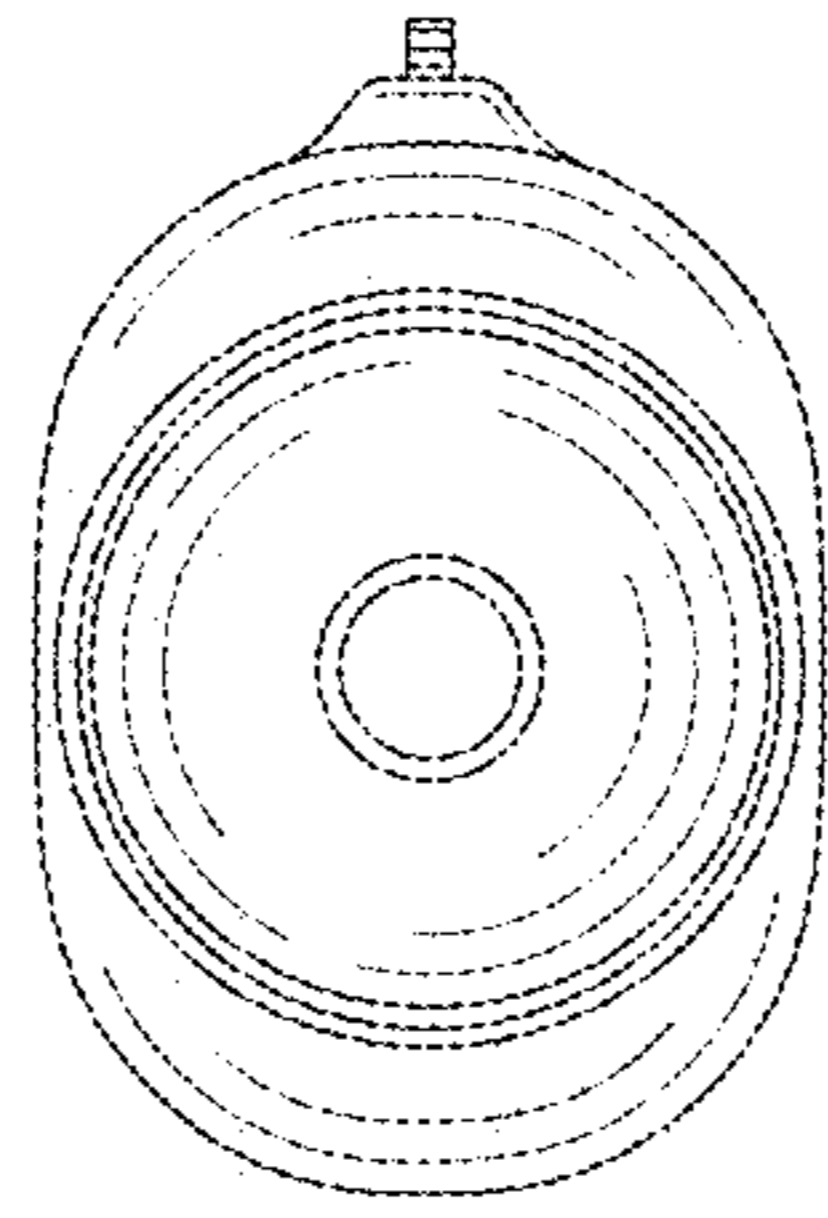


FIG. 2

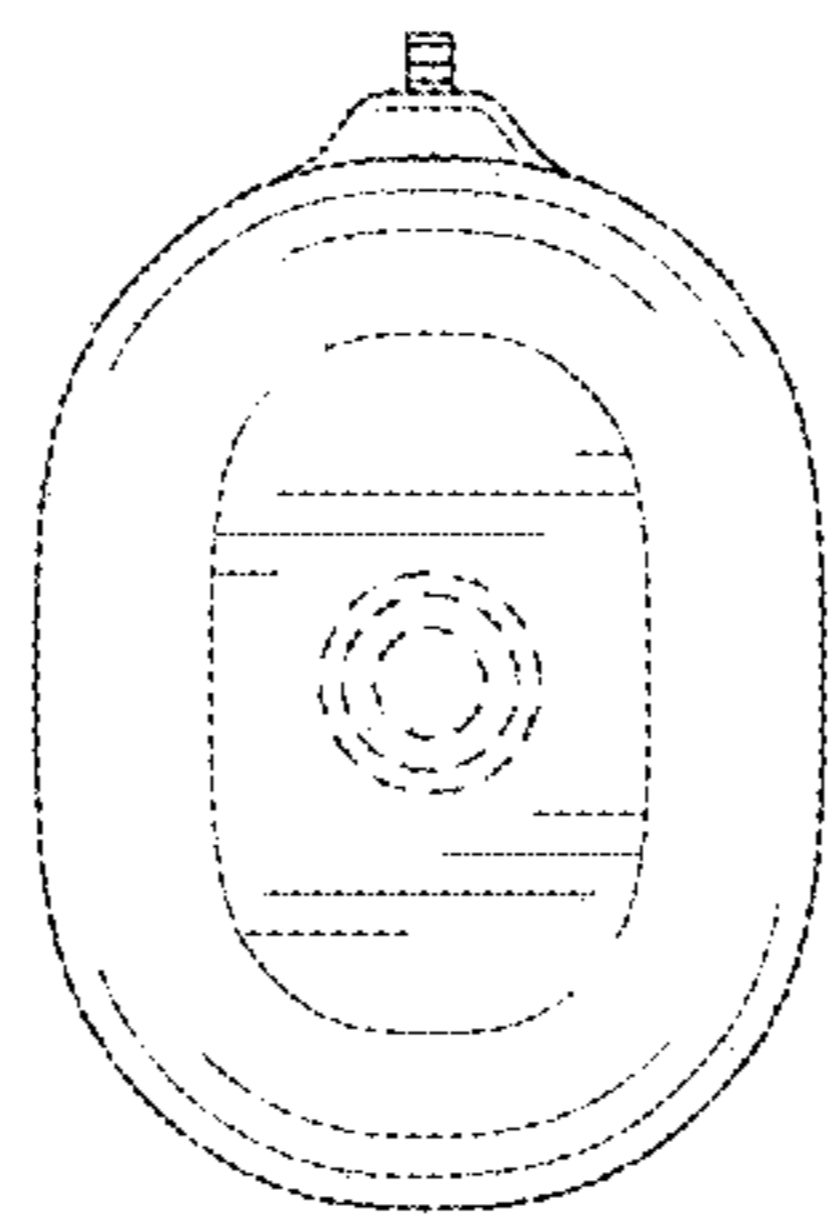


FIG. 3

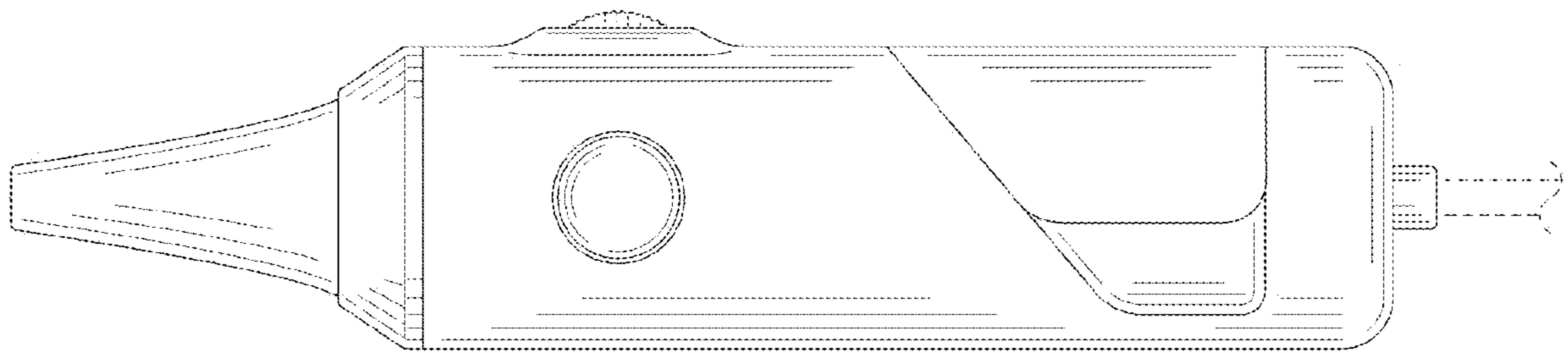


FIG. 4

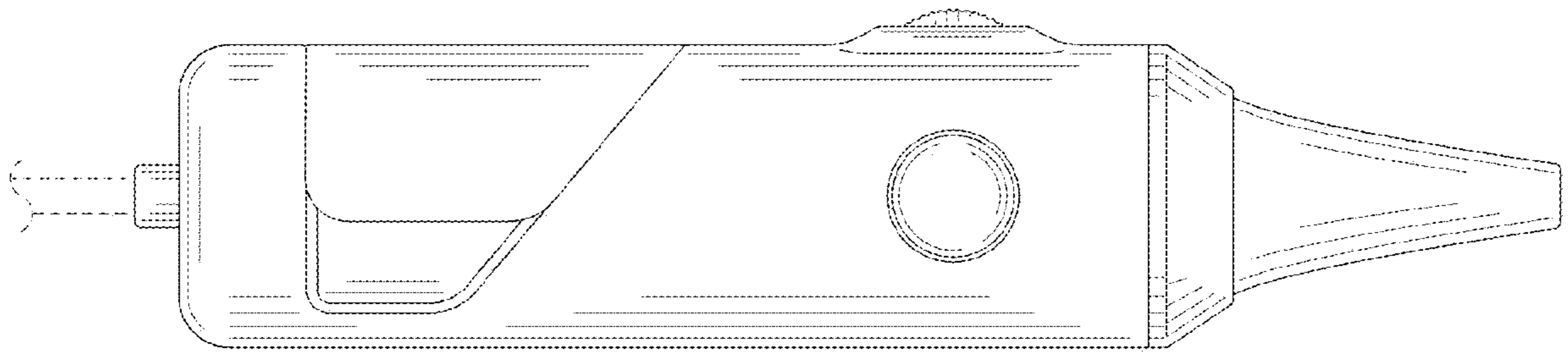


FIG. 5

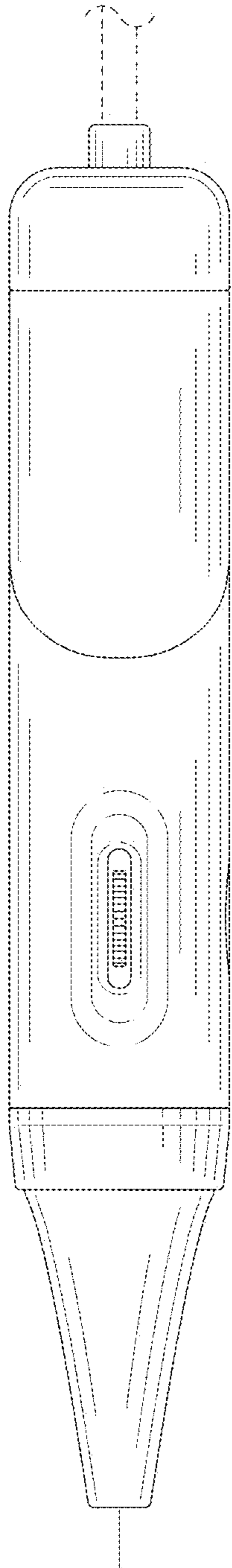


FIG. 6

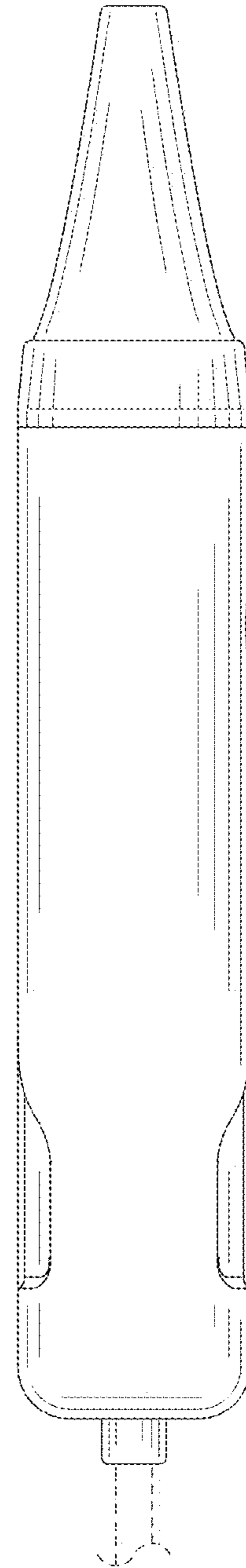


FIG. 7