



US00D983368S

(12) **United States Design Patent**  
**Leibowitz**

(10) **Patent No.:** **US D983,368 S**

(45) **Date of Patent:** **\*\* Apr. 11, 2023**

(54) **SURGICAL SCREW EXTRACTOR**

(71) Applicant: **Shukla Medical**, St. Petersburg, FL  
(US)

(72) Inventor: **Evan G. Leibowitz**, Linden, NJ (US)

(73) Assignee: **Shukla Medical**, St. Petersburg, FL  
(US)

(\*\*) Term: **15 Years**

(21) Appl. No.: **29/671,055**

(22) Filed: **Nov. 21, 2018**

(51) **LOC (14) Cl.** ..... **24-01**

(52) **U.S. Cl.**  
USPC ..... **D24/133**

(58) **Field of Classification Search**  
USPC ..... D24/108, 112, 113–114, 127, 133, 137,  
D24/138, 143, 145, 170, 186; 606/232,  
606/30, 62, 67, 79, 82, 104, 144, 147;  
D15/139; D12/215; D22/146; D8/70,  
D8/82, 85–87  
CPC ..... A61B 17/0401; A61B 17/00; A61B  
2017/0409; A61B 18/1402; A61B 18/00  
See application file for complete search history.

(56) **References Cited**

U.S. PATENT DOCUMENTS

6,565,573 B1 *	5/2003	Ferrante	.....	A61B 17/863 606/308
D628,292 S *	11/2010	Berberich	.....	D24/145
D740,418 S *	10/2015	Chavan	.....	D24/145
D740,419 S *	10/2015	Chavan	.....	D24/145
D774,646 S *	12/2016	Sato	.....	D24/130
D783,821 S *	4/2017	Folsom	.....	D24/155
D794,188 S *	8/2017	Naglapura	.....	D24/133
D819,432 S *	6/2018	Bennett	.....	D8/387
D854,909 S *	7/2019	Wells	.....	D8/315
D857,897 S *	8/2019	Loftus	.....	D24/155

(Continued)

Primary Examiner — Michael A. Pratt

(74) *Attorney, Agent, or Firm* — Kim IP Law Group LLC

(57) **CLAIM**

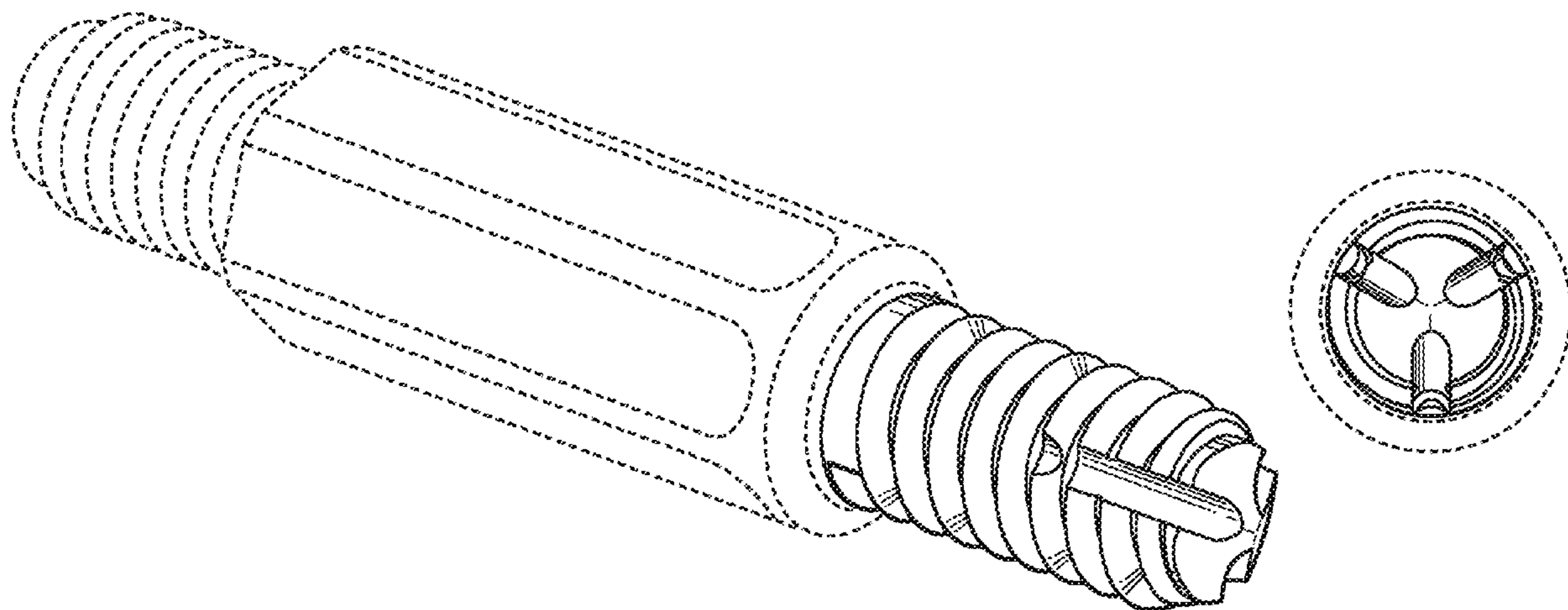
The ornamental design for a surgical screw extractor, as shown and described.

**DESCRIPTION**

FIG. 1 is a perspective view of a surgical screw extractor in accordance with the new design;  
 FIG. 2 is a top plan view of the surgical screw extractor of FIG. 1;  
 FIG. 3 is a bottom plan view of the surgical screw extractor of FIG. 1;  
 FIG. 4 is a right side view of the surgical screw extractor of FIG. 1;  
 FIG. 5 is a left side view of the surgical screw extractor of FIG. 1;  
 FIG. 6 is a front view of the surgical screw extractor of FIG. 1;  
 FIG. 7 is a rear view of the surgical screw extractor of FIG. 1;  
 FIG. 8 is a perspective view of a surgical screw extractor in accordance with another embodiment of the new design;  
 FIG. 9 is a top plan view of the surgical screw extractor of FIG. 8;  
 FIG. 10 is a bottom plan view of the surgical screw extractor of FIG. 8;  
 FIG. 11 is a right side view of the surgical screw extractor of FIG. 8;  
 FIG. 12 is a left side view of the surgical screw extractor of FIG. 8;  
 FIG. 13 is a front view of the surgical screw extractor of FIG. 8; and,  
 FIG. 14 is a rear view of the surgical screw extractor of FIG. 8.

The broken lines in the figures illustrate portions of the surgical screw extractor that form no part of the claimed design.

**1 Claim, 6 Drawing Sheets**



(56)

**References Cited**

U.S. PATENT DOCUMENTS

D857,898 S \* 8/2019 Loftus ..... D24/155  
2004/0093032 A1 \* 5/2004 Sinnott ..... A61B 17/0401  
606/232  
2008/0243184 A1 \* 10/2008 Martinek ..... A61B 17/0401  
606/232  
2009/0192546 A1 \* 7/2009 Schmieding ..... A61B 17/0401  
606/232  
2012/0083840 A1 \* 4/2012 DiMatteo ..... A61B 17/0401  
606/232  
2014/0277130 A1 \* 9/2014 Housman ..... A61B 17/0401  
606/232  
2017/0014224 A1 \* 1/2017 Arai ..... A61F 2/0811  
2017/0042585 A1 \* 2/2017 Ramsay ..... A61B 17/7037  
2017/0049433 A1 \* 2/2017 Terry ..... A61B 17/0401

\* cited by examiner

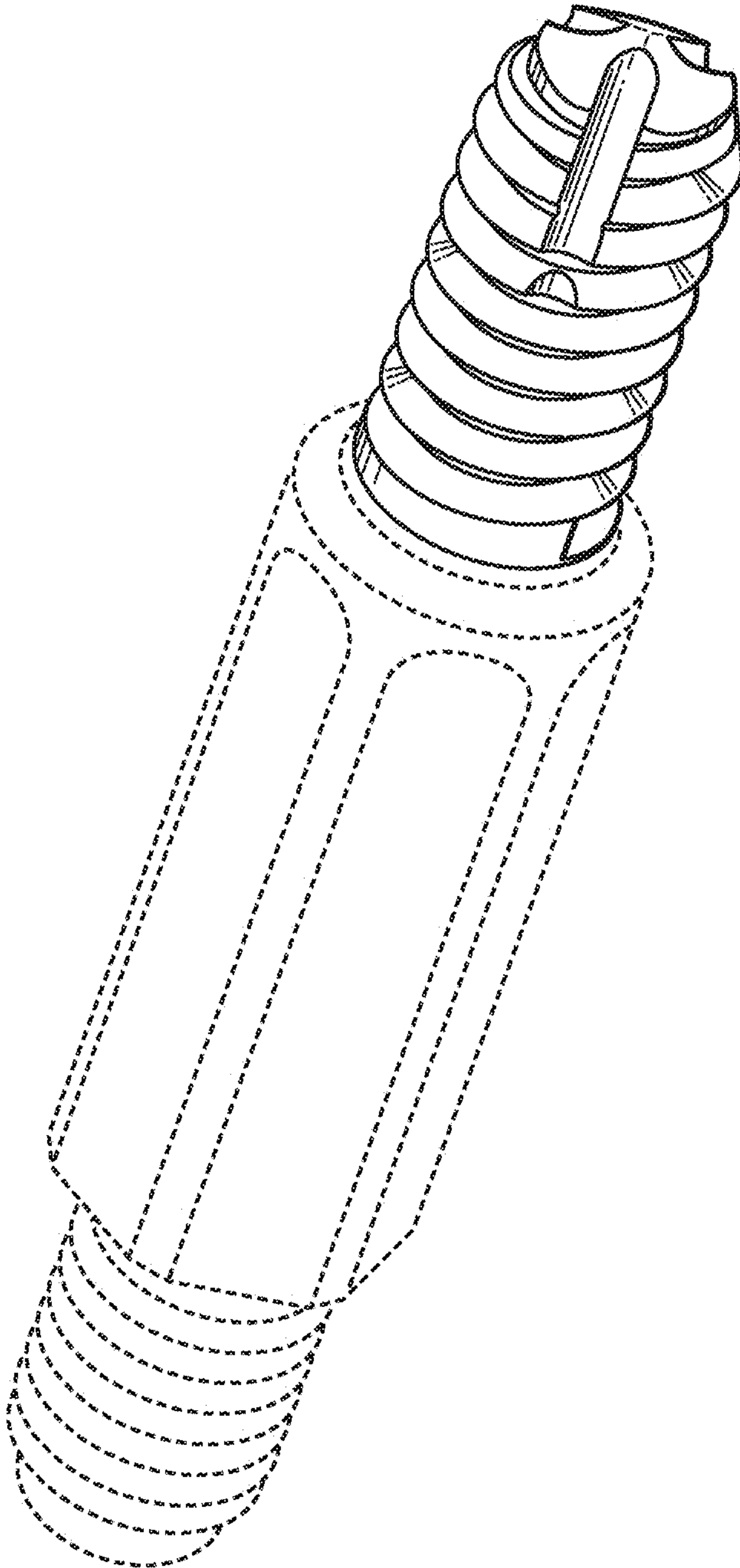


FIG. 1

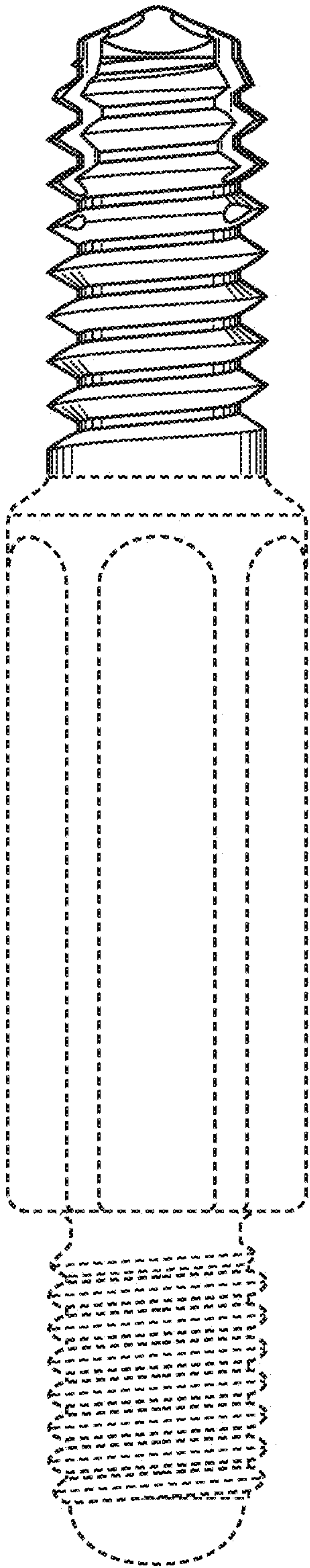


FIG. 2

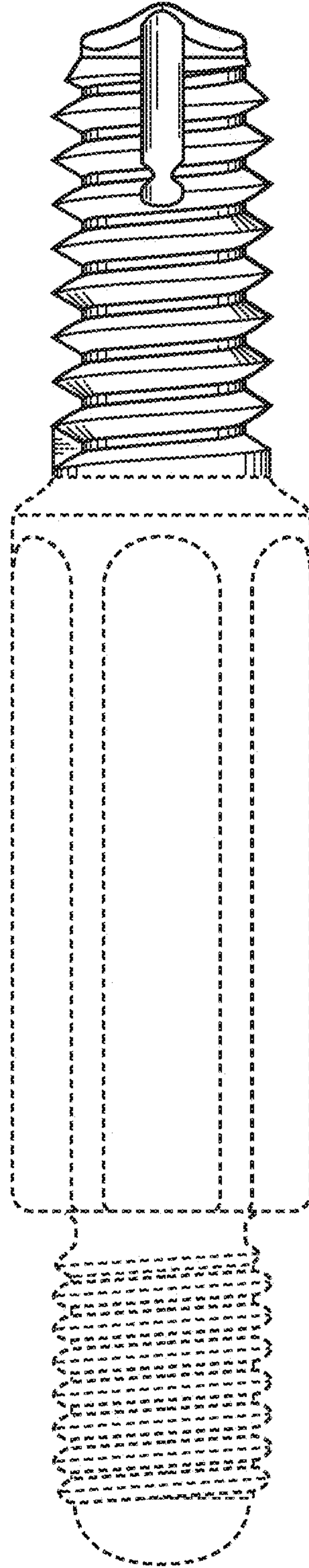


FIG. 3



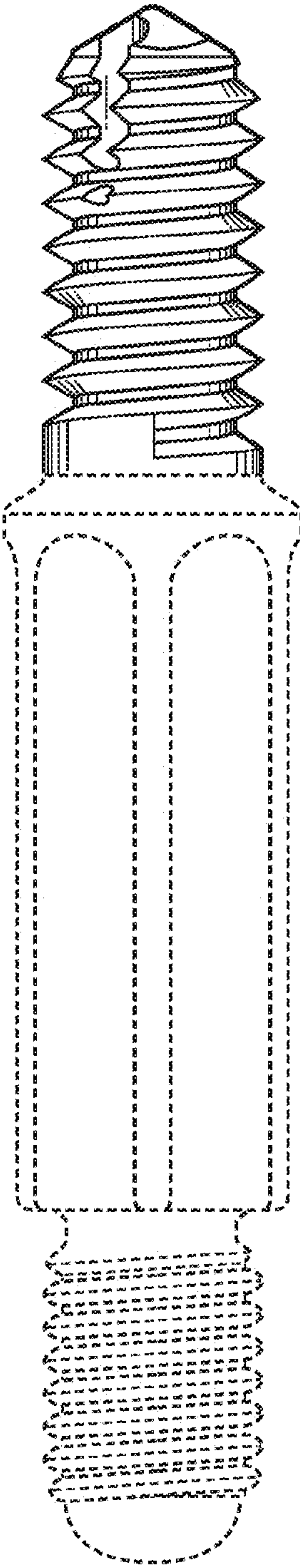


FIG. 4

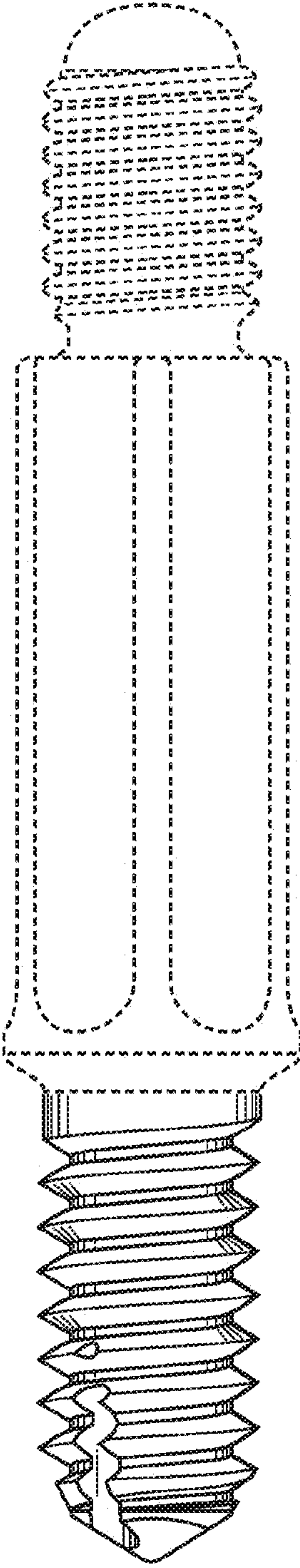


FIG. 5

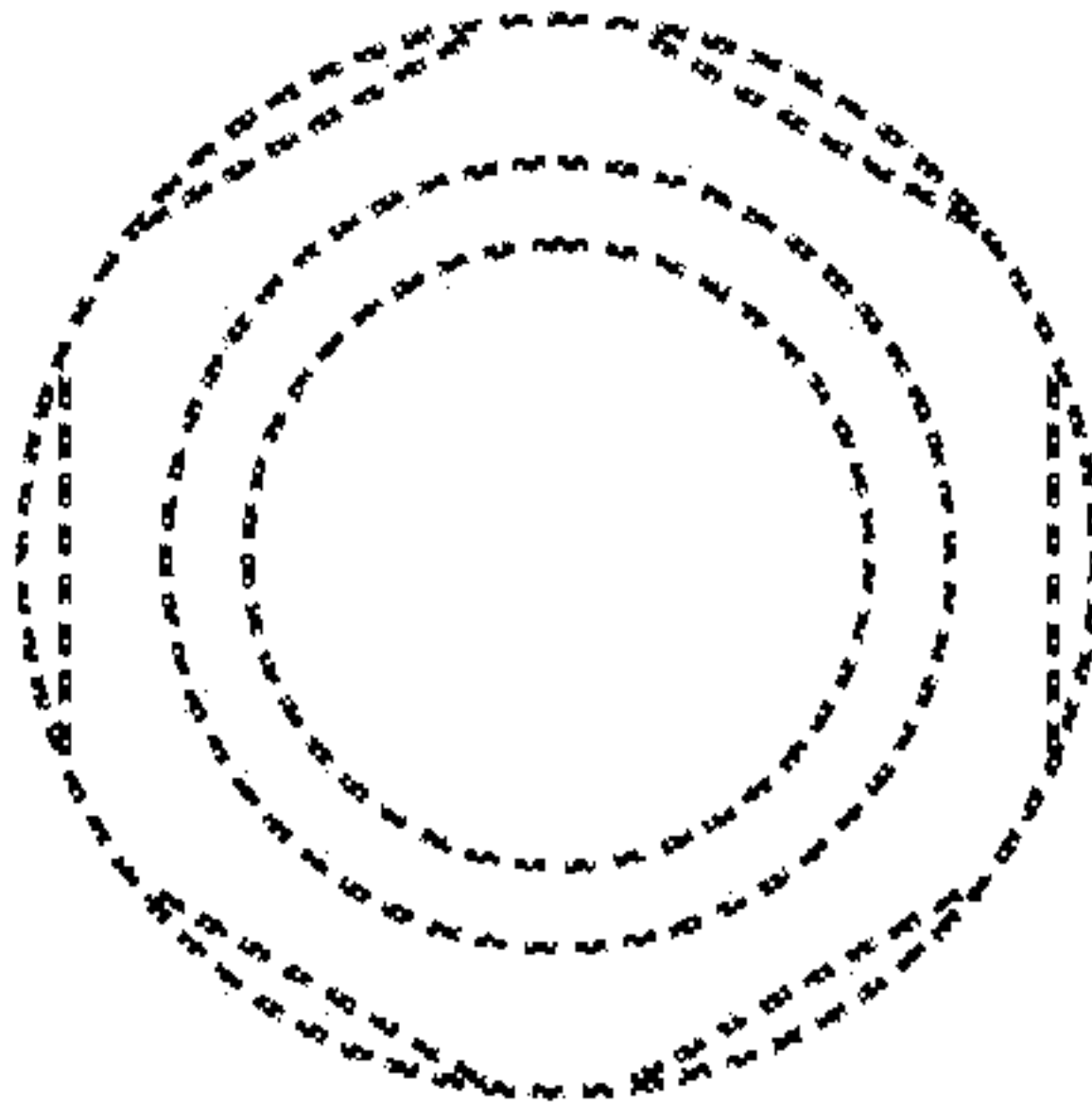


FIG. 7

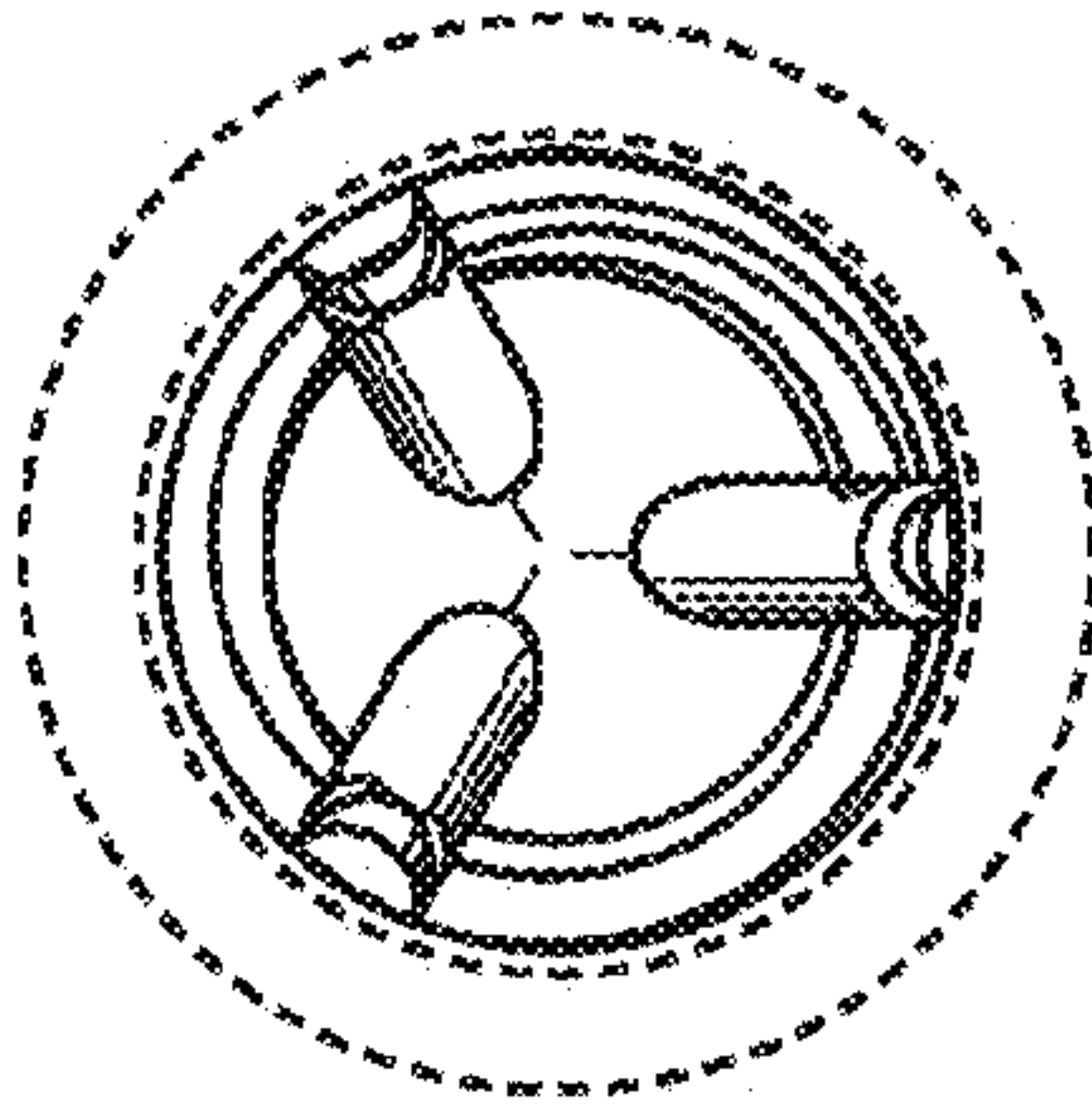


FIG. 6

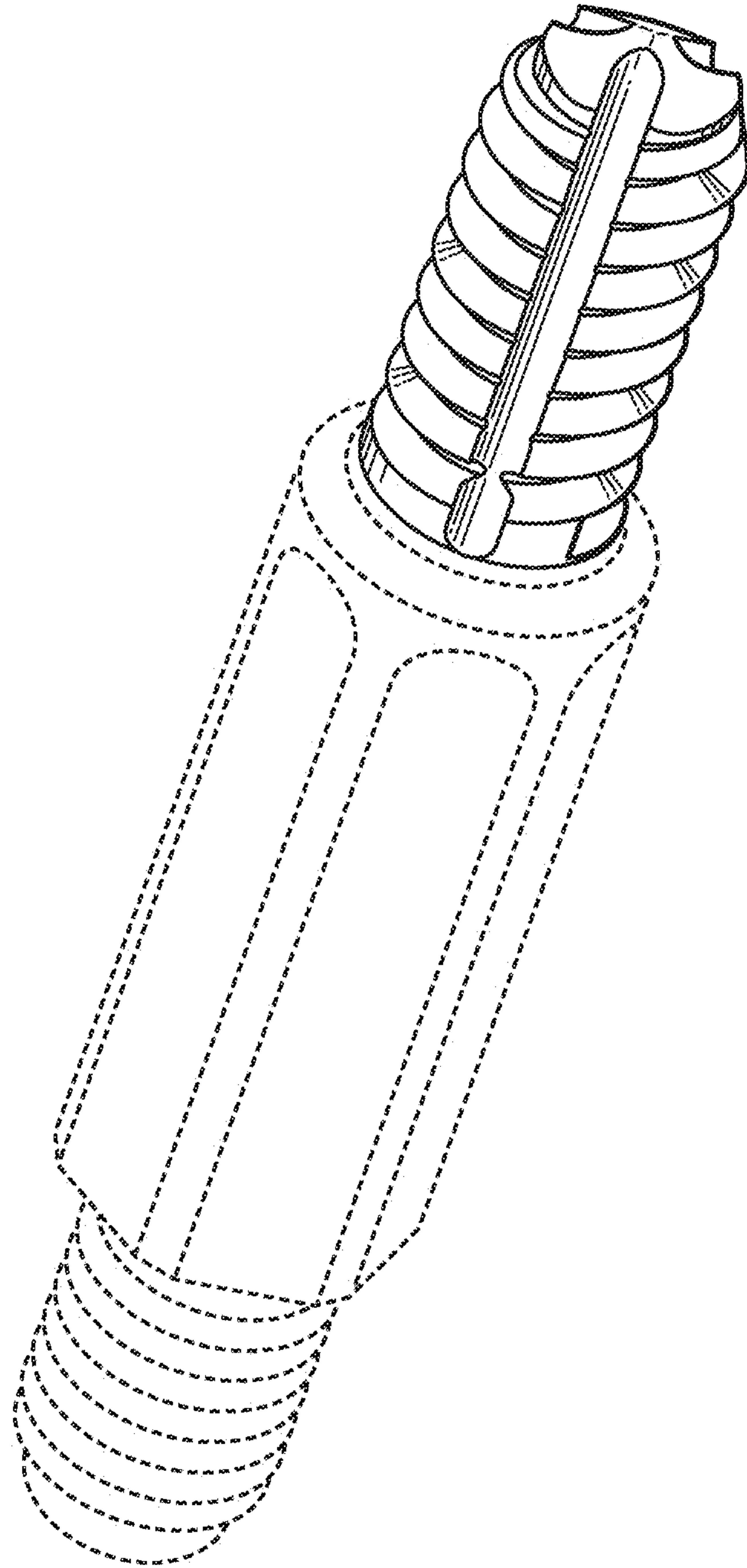


FIG. 8

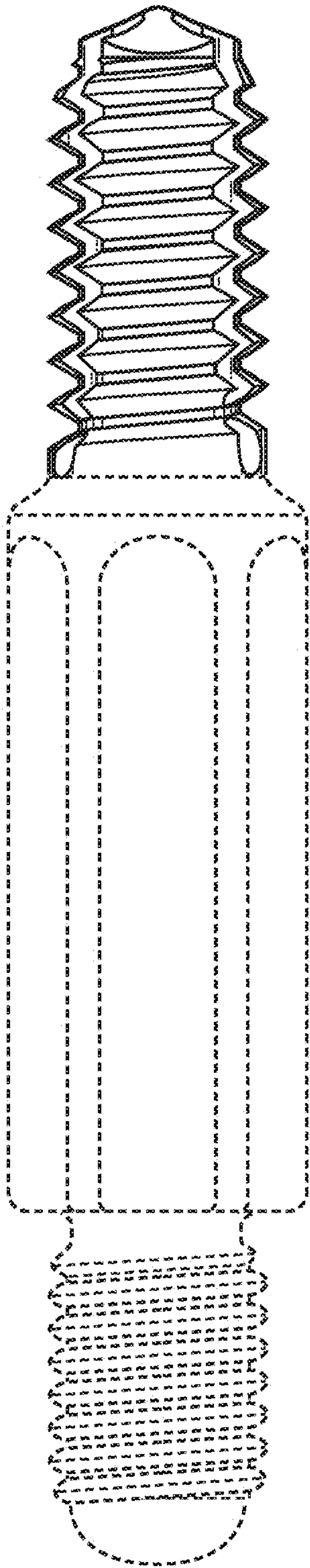


FIG. 9

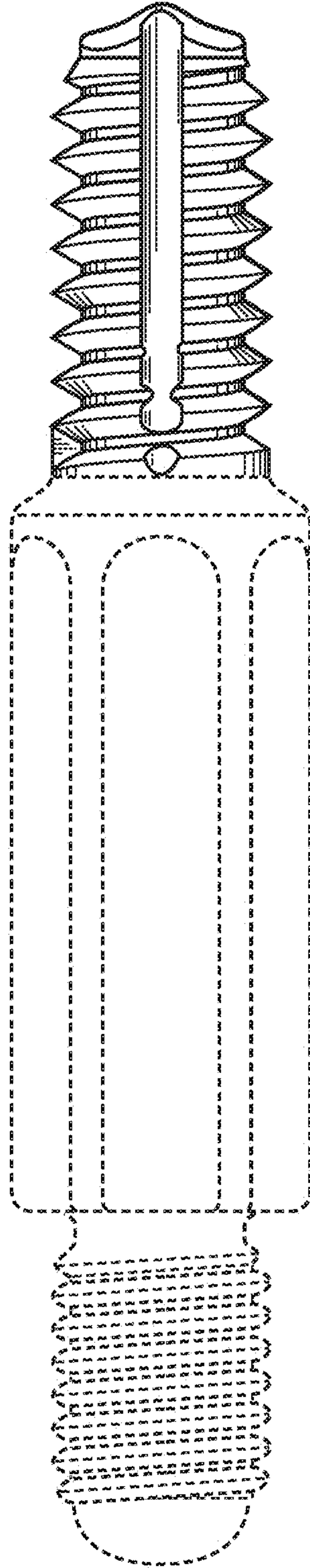


FIG. 10



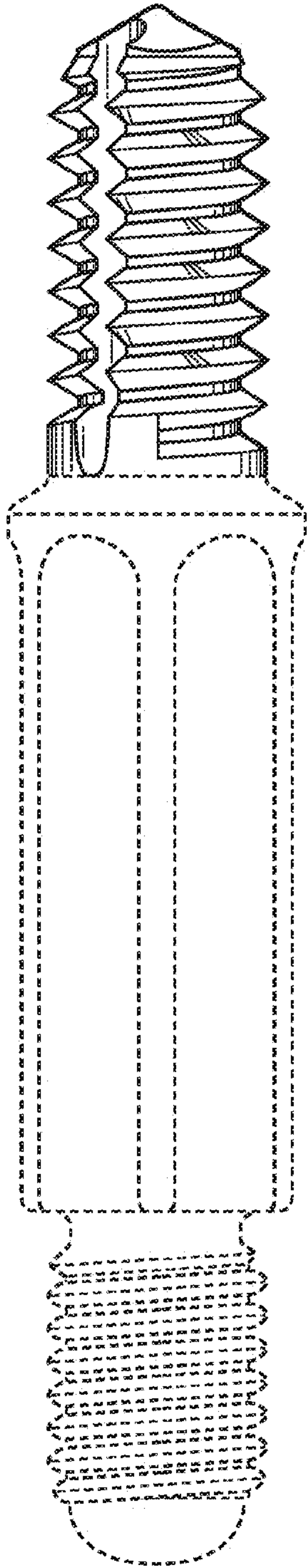


FIG. 11

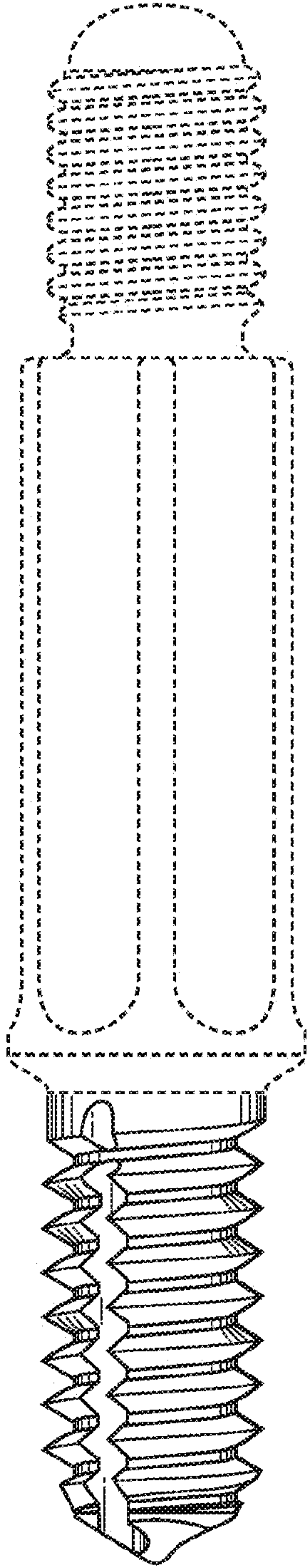


FIG. 12

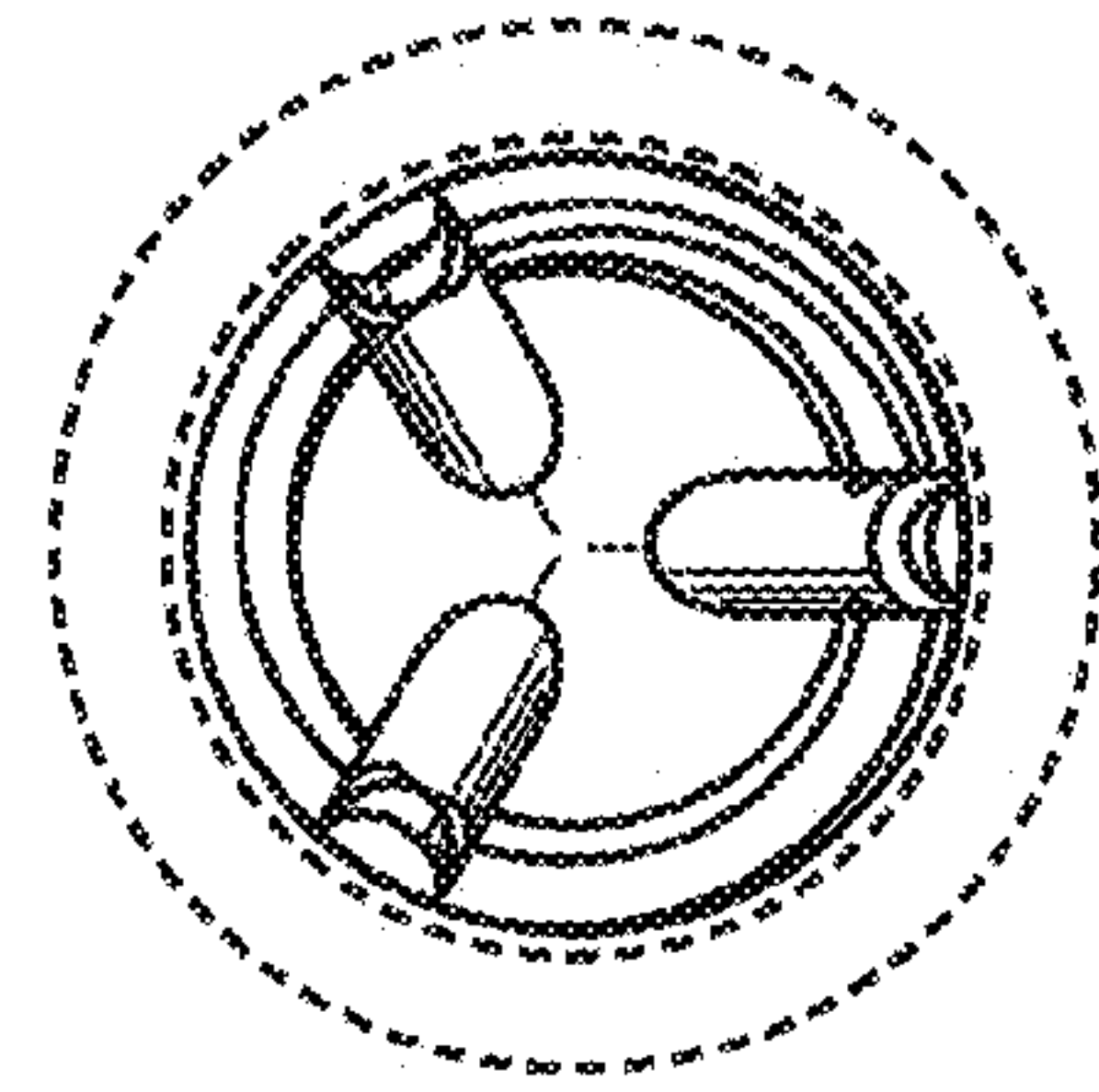


FIG. 13

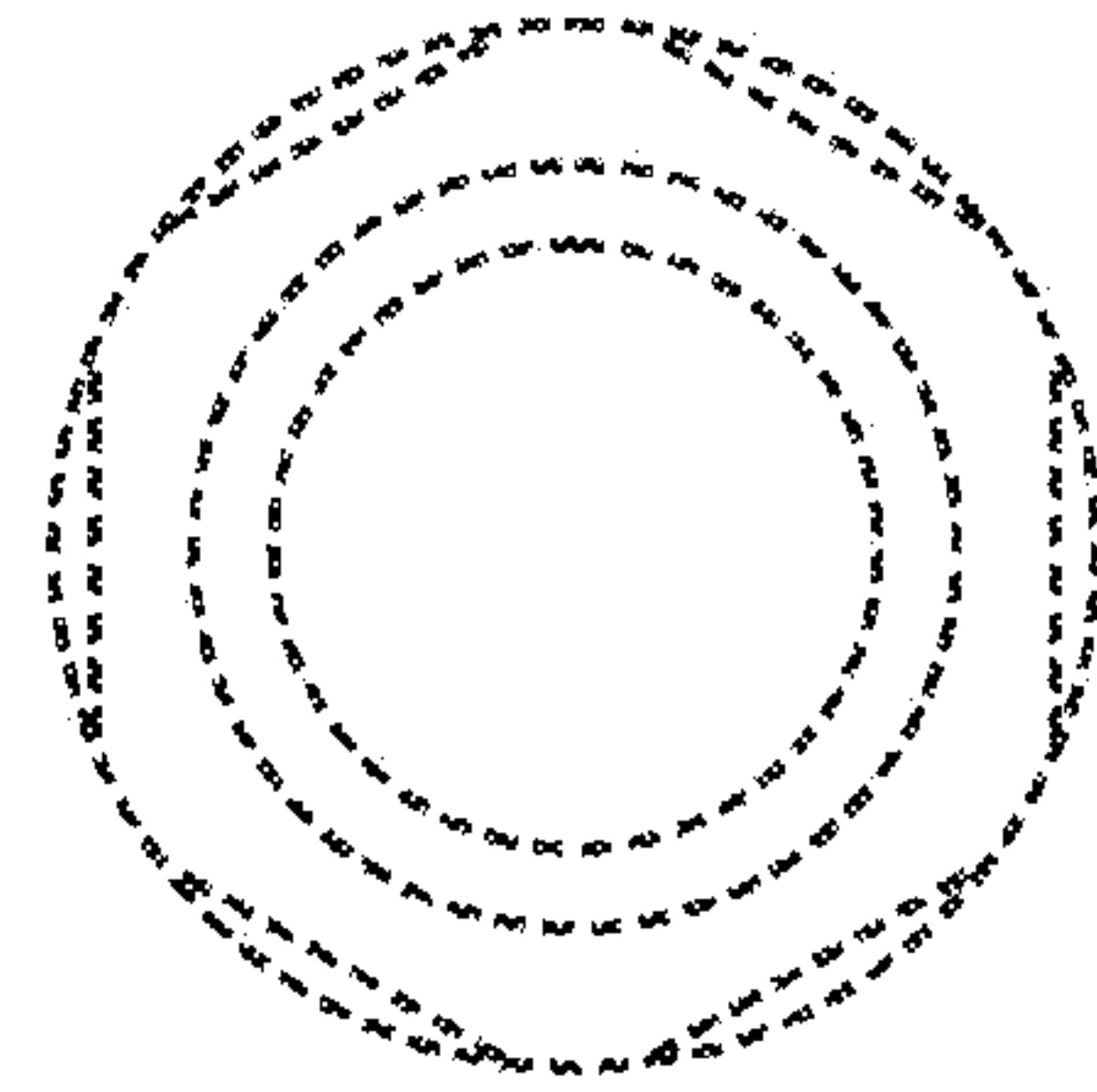


FIG. 14