



US00D983366S

(12) **United States Design Patent** (10) **Patent No.:** **US D983,366 S**
Dadachanji et al. (45) **Date of Patent:** **** Apr. 11, 2023**

(54) **VIAL ADAPTER**

FOREIGN PATENT DOCUMENTS

(71) Applicant: **KAIRISH INNOTECH Private Ltd.,**
Mumbai (IN)

CN 105270729 B 8/2017
EP 898951 A2 3/1999

(Continued)

(72) Inventors: **Rishad Kairus Dadachanji**, Mumbai (IN); **Pratul Prakash Potdar**, Daman and Diu (IN); **Keyurkumar Arvindbhai Patel**, Daman and Diu (IN); **Krupal Ashokbhai Chudasma**, Gujarat (IN)

OTHER PUBLICATIONS

Baxter Interlink Universal Vial Adapter, Baxter, PocketNurse.com, [Post date unknown], [Site seen Nov. 30, 2022], Seen at URL: <https://www.pocketnurse.com/default/06-82-3395-baxter-interlink-universal-vial-adapter> (Year: 2022).*

(Continued)

(73) Assignee: **KAIRISH INNOTECH PRIVATE LIMITED**, Maharashtra (IN)

(**) Term: **15 Years**

Primary Examiner — Natasha Vujcic
Assistant Examiner — Gilbert B Ford

(21) Appl. No.: **29/799,535**

(74) *Attorney, Agent, or Firm* — Renner, Otto, Boisselle & Sklar, LLP

(22) Filed: **Jul. 15, 2021**

(51) **LOC (14) Cl.** **24-02**

(52) **U.S. Cl.**
USPC **D24/129**

(58) **Field of Classification Search**
USPC D24/127–130, 227, 224, 133, 121, 112,
D24/113, 108, 216–217

CPC A61J 1/2082; A61M 39/165; A61M 39/20;
A61M 39/162; A61M 2205/02

See application file for complete search history.

(57) **CLAIM**

The ornamental design for a vial adapter, as shown and described.

DESCRIPTION

FIG. 1 is a top, right, front perspective view of a vial adapter showing our new design;

FIG. 2 is a front elevation view thereof;

FIG. 3 is a top plan view thereof;

FIG. 4 is a bottom plan view thereof;

FIG. 5 is a cross sectional view taken from the cut-line in FIG. 2 thereof;

FIG. 6 is a bottom, right, rear perspective view thereof; and,

FIG. 7 is a bottom, right, front perspective view thereof in an assembled arrangement.

The broken line showing in FIG. 7 is for the purpose of illustrating environmental structure and forms no part of the claimed design.

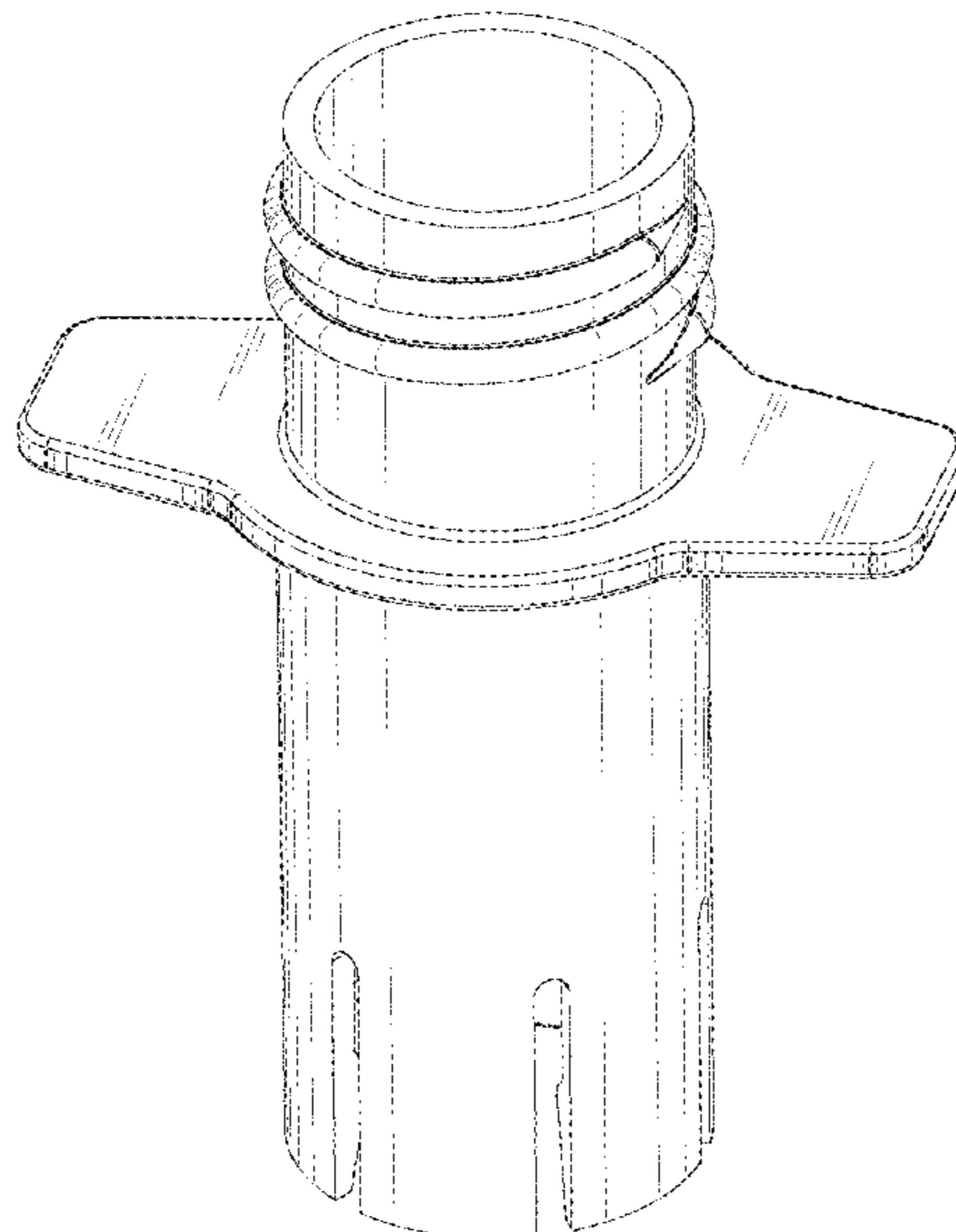
(56) **References Cited**

U.S. PATENT DOCUMENTS

5,176,654 A 1/1993 Schreiber
5,397,303 A 3/1995 Sancoff et al.
5,478,337 A 12/1995 Okamoto et al.
6,258,078 B1 7/2001 Thilly
6,269,976 B1 8/2001 DeJonge
6,776,312 B2 8/2004 Masuzzo et al.
D543,279 S * 5/2007 Numata D24/114
D644,322 S * 8/2011 Py D24/112
8,210,166 B2 7/2012 Denton et al.

(Continued)

1 Claim, 7 Drawing Sheets



(56)

References Cited

U.S. PATENT DOCUMENTS

8,684,994 B2 4/2014 Lev et al.
 D737,436 S * 8/2015 Lev D24/129
 D739,933 S * 9/2015 Ettlin D24/114
 9,339,438 B2 5/2016 Lev et al.
 D759,836 S * 6/2016 Wainwright D24/224
 9,907,912 B2 * 3/2018 Ransome A61M 5/31513
 D851,240 S * 6/2019 Baid A61M 5/16822
 D24/112
 10,426,702 B2 10/2019 Henninger et al.
 D882,044 S * 4/2020 Uccellani D23/262
 D884,887 S * 5/2020 Kangastupa D24/129
 10,639,453 B2 * 5/2020 Olson A61M 27/00
 D887,577 S * 6/2020 Shor D24/227
 D893,024 S * 8/2020 Whiteside D24/129
 11,033,459 B2 * 6/2021 Ariagno A61J 1/2065
 11,147,956 B2 * 10/2021 Rao A61M 39/10
 11,260,191 B2 * 3/2022 Young A61M 16/0463
 11,273,298 B2 * 3/2022 Erekovcanski A61M 39/165
 D965,777 S * 10/2022 Marici D24/130

11,471,245 B2 * 10/2022 Tennican A61M 39/18
 2007/0051831 A1 3/2007 Kuo
 2021/0077738 A1 * 3/2021 Dadachanji A61M 5/31576

FOREIGN PATENT DOCUMENTS

GB 6148618 * 7/2021
 JP 550257982 3/2014
 JP 5875617 B2 1/2016
 WO 1996029113 A1 9/1996
 WO 2013093908 A1 6/2013

OTHER PUBLICATIONS

Air Medical Pin IV Infusion Mini Non Vented Spike Valves Vial Adapter With Filter, Air Medical, Alibaba.com, [Post date unknown], [Site seen Nov. 30, 2022], Seen at URL: https://www.alibaba.com/product-detail/Air-Medical-Pin-IV-Infusion-Mini_62002602020.html (Year: 2022).*

* cited by examiner

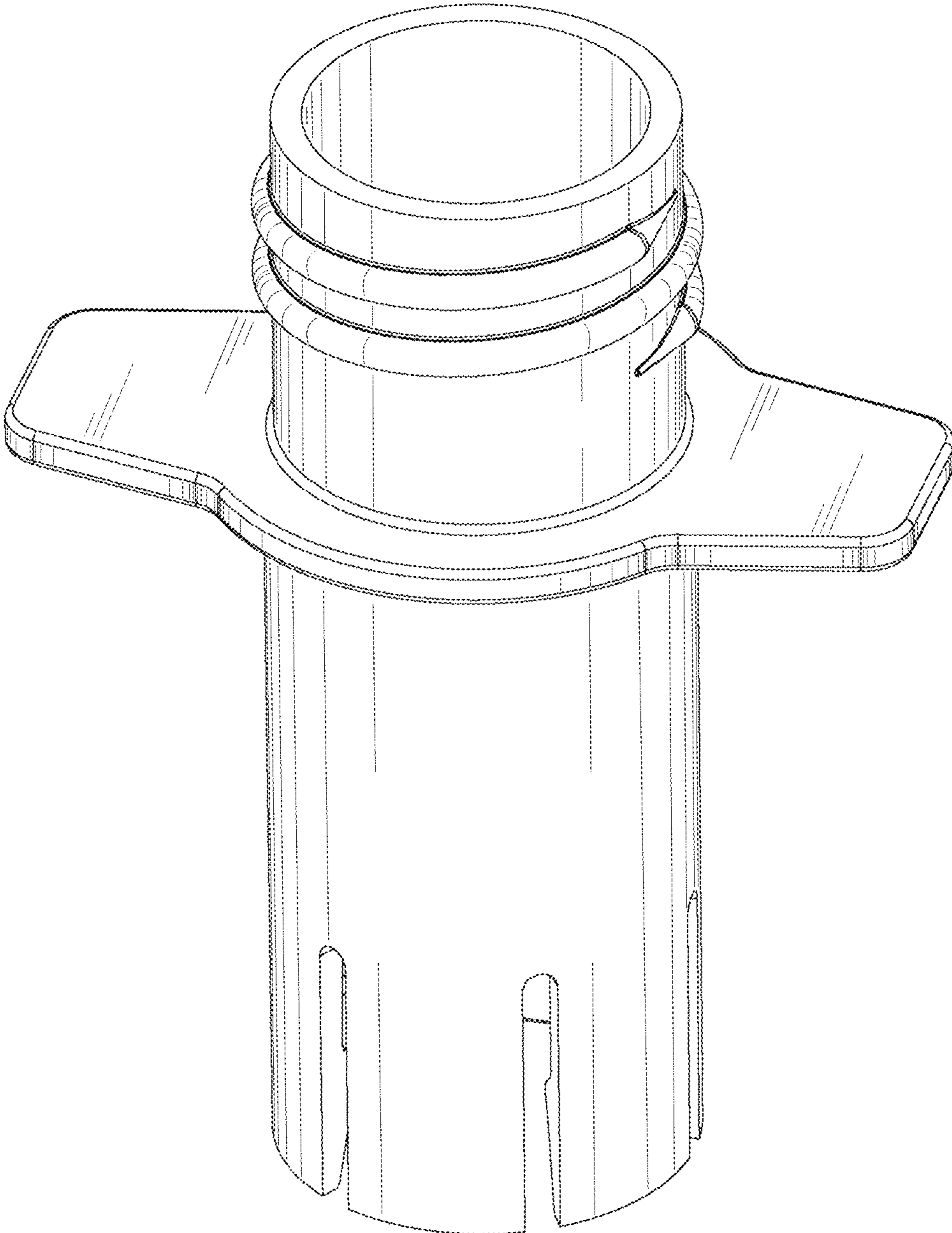


Fig. 1

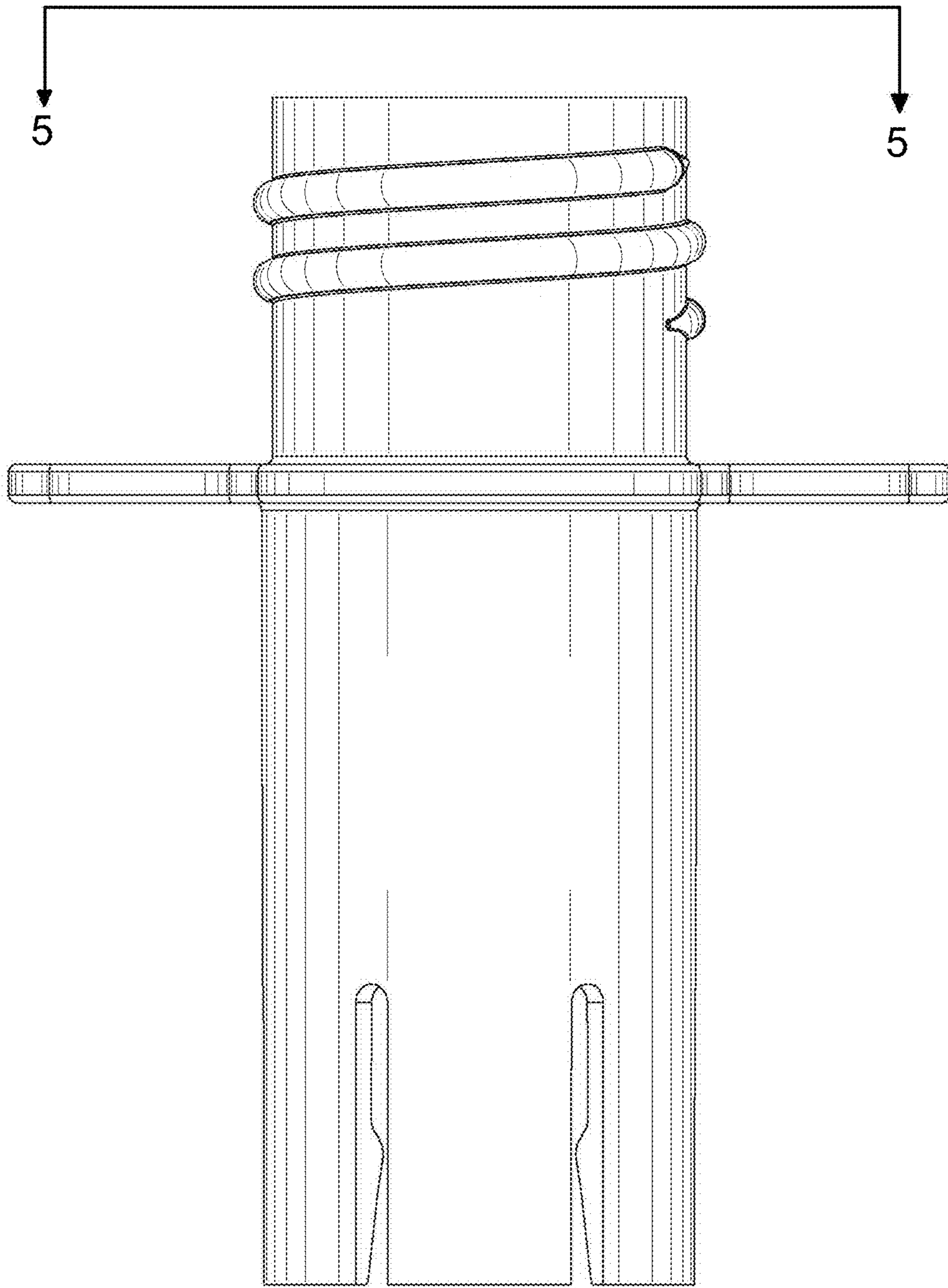


Fig. 2

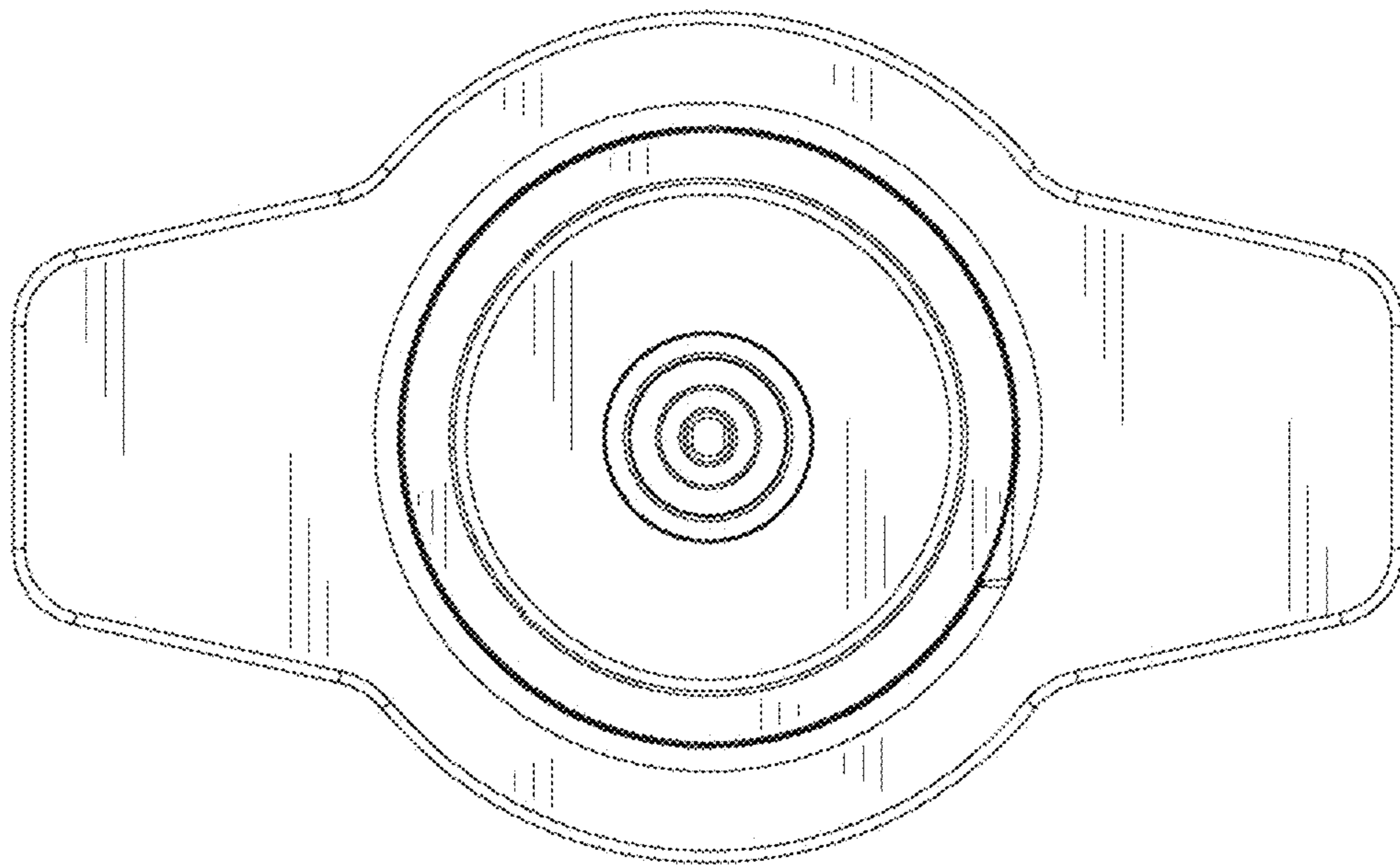


Fig. 3

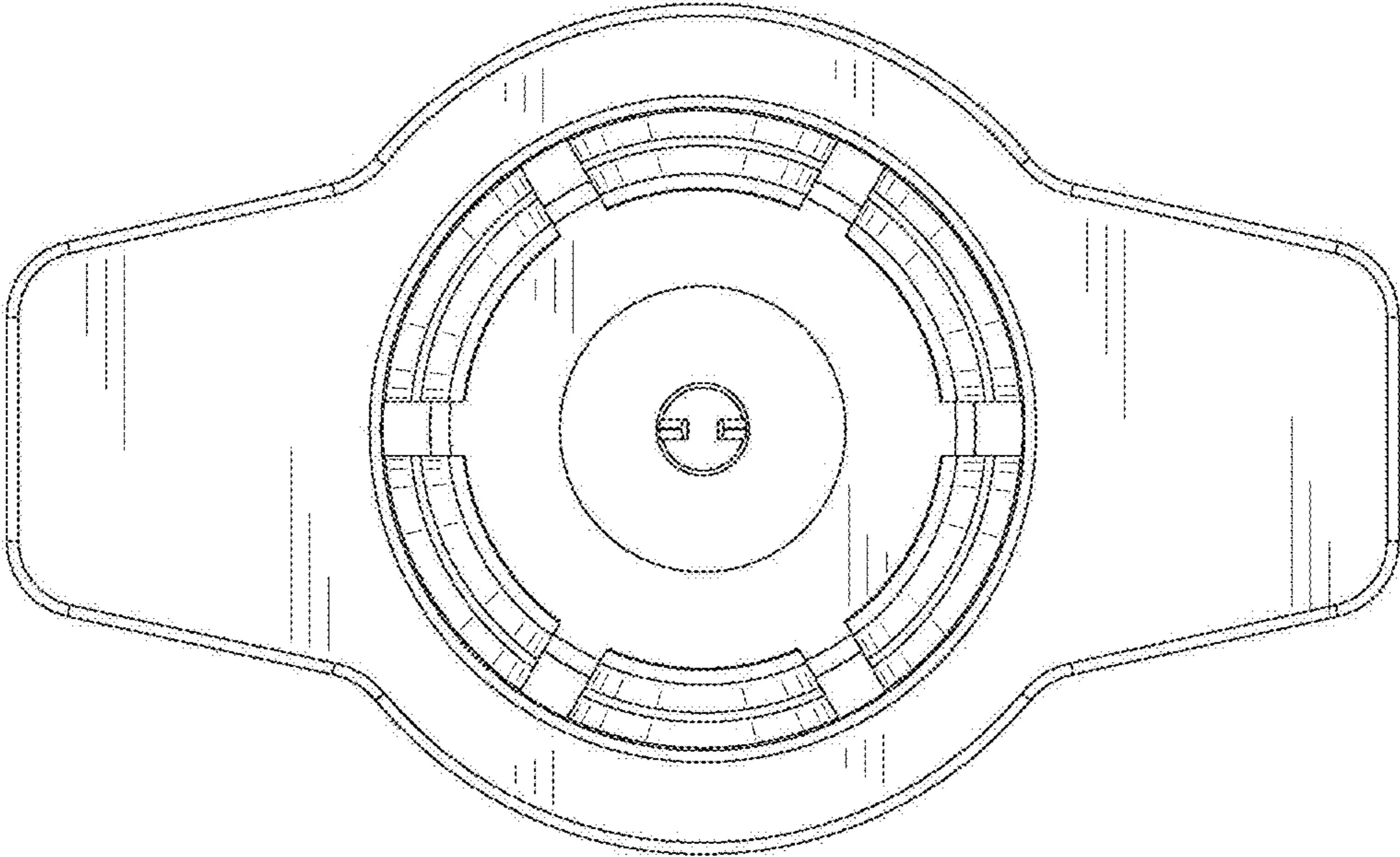


Fig. 4

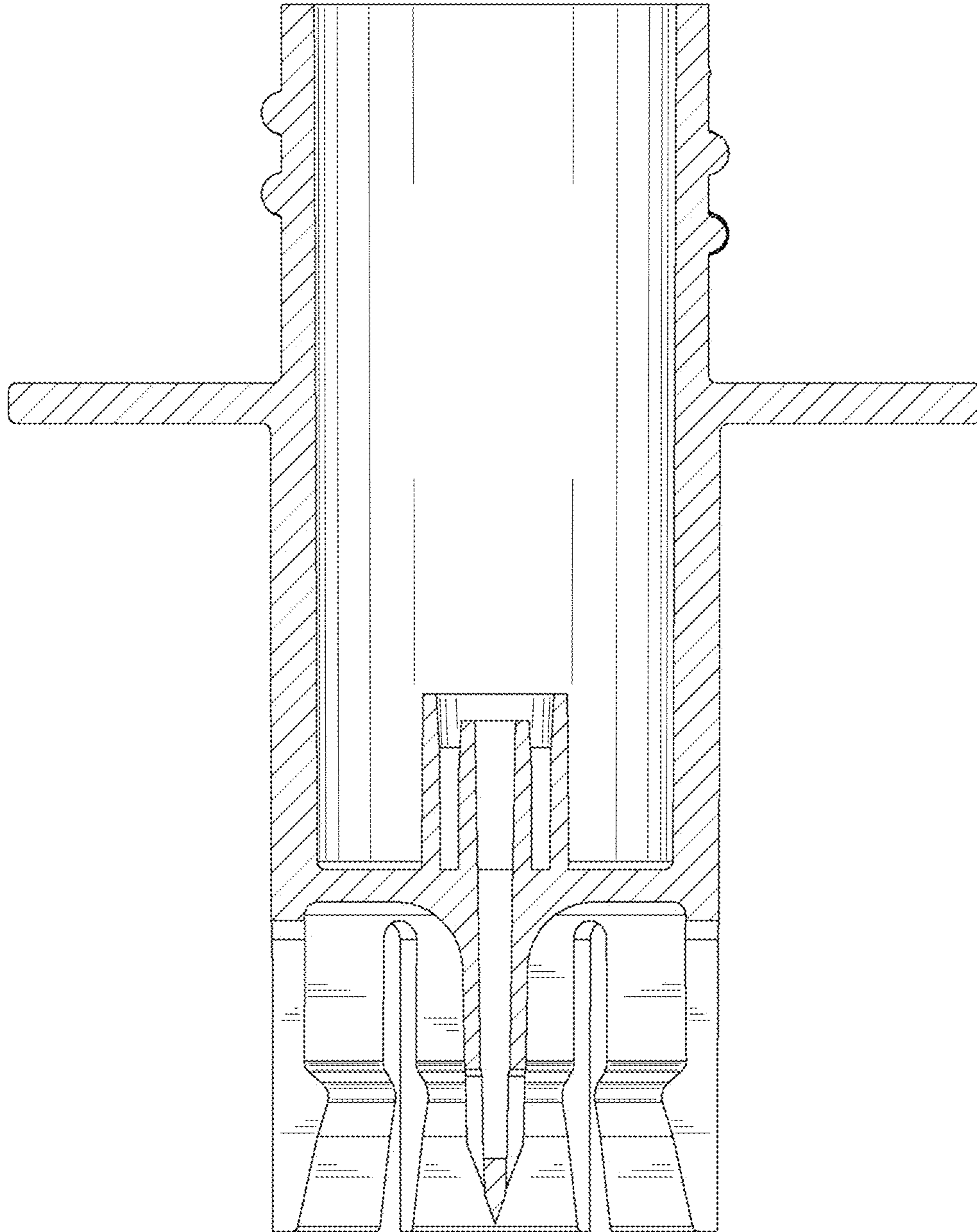


Fig. 5

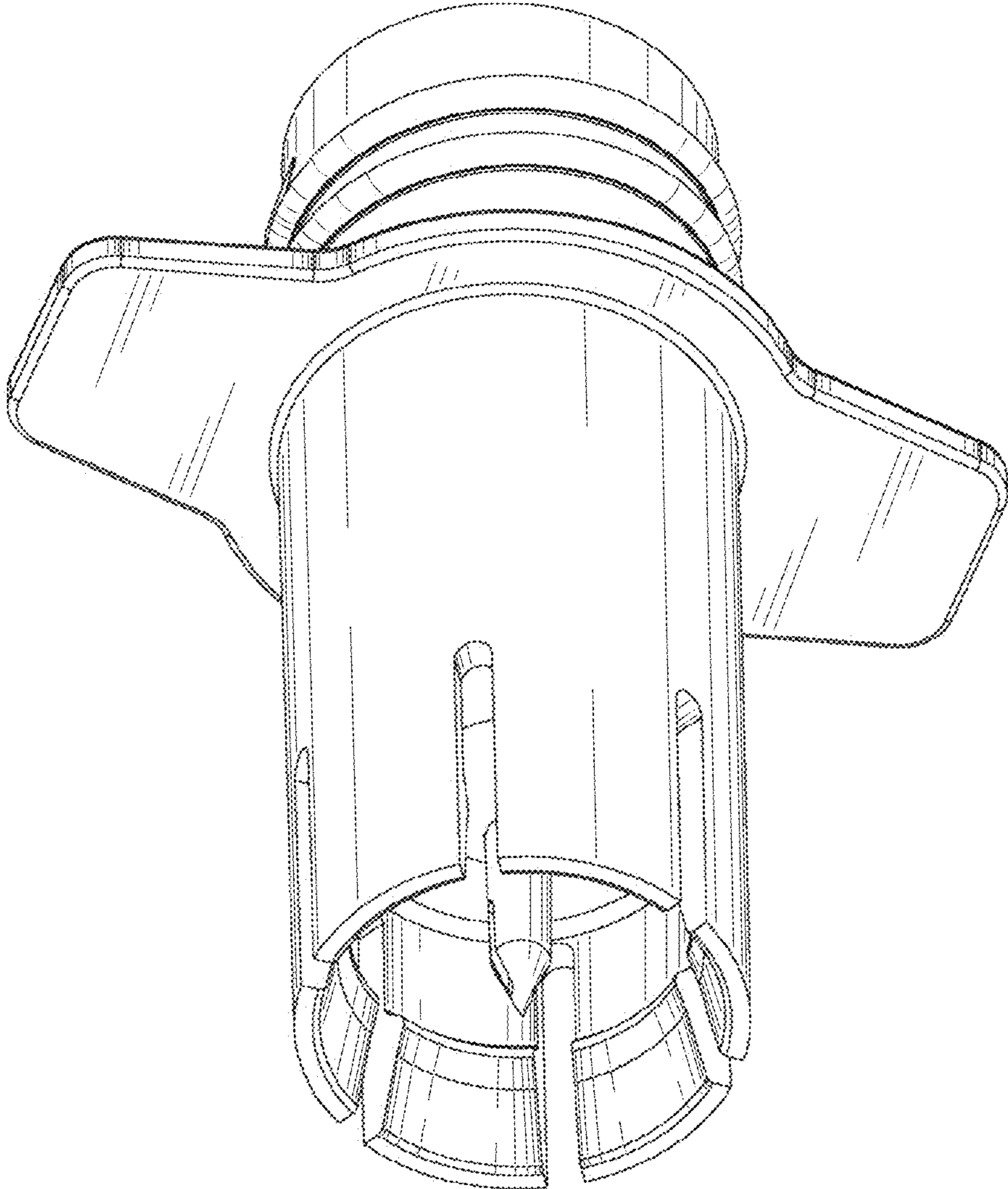


Fig. 6

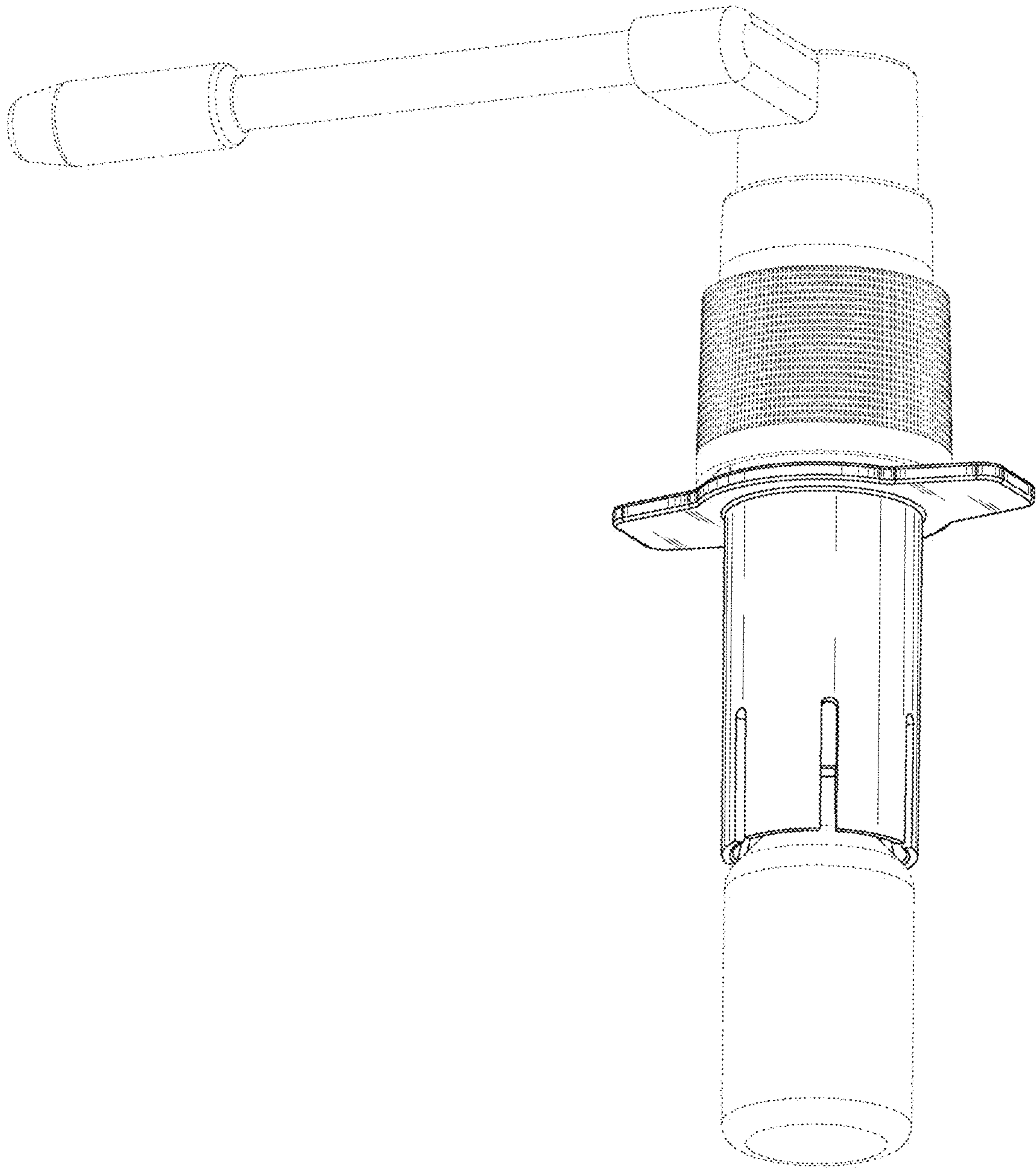


Fig. 7