



US00D983365S

(12) **United States Design Patent** (10) **Patent No.:** **US D983,365 S**
Antenbring (45) **Date of Patent:** **** Apr. 11, 2023**

(54) **SUCTION ADAPTER**

(71) Applicant: **Colin Antenbring**, Langley (CA)

(72) Inventor: **Colin Antenbring**, Langley (CA)

(**) Term: **15 Years**

(21) Appl. No.: **29/779,331**

(22) Filed: **Apr. 19, 2021**

(51) **LOC (14) Cl.** **24-02**

(52) **U.S. Cl.**
USPC **D24/129**

(58) **Field of Classification Search**
USPC D24/127–130, 110, 110.4, 110.5, 111,
D24/112, 155–156, 108, 176, 110.6, 137
CPC A61F 2/00; A61F 5/00; A61F 3/00
See application file for complete search history.

(56) **References Cited**

U.S. PATENT DOCUMENTS

4,291,691	A	*	9/1981	Cabal	A61M 16/0463 128/207.14
D429,330	S	*	8/2000	Hoening	D24/110.6
D560,794	S	*	1/2008	Tran	D24/110
D663,027	S	*	7/2012	Halder	D24/137
D691,717	S	*	10/2013	McLean	D24/129
D728,780	S	*	5/2015	Pieroni	D24/112
D732,669	S	*	6/2015	Fisler	D24/156
D737,952	S	*	9/2015	Matsumura	D24/108
D739,005	S	*	9/2015	Matsumura	D24/108
D743,033	S	*	11/2015	Fisler	D24/156
D794,184	S	*	8/2017	Smith	D24/129
D852,355	S	*	6/2019	Fiorenza	D24/110.6
D885,560	S	*	5/2020	Wang	D24/112
D912,811	S	*	3/2021	Gosik-Wolfe	D24/133
D921,893	S	*	6/2021	Milella, Jr.	D24/133
D940,313	S	*	1/2022	Heine	D24/133
D946,145	S	*	3/2022	Leibowitz	D24/133
D968,916	S	*	11/2022	Zolkiewicz	D7/700

FOREIGN PATENT DOCUMENTS

CN 307805404 * 1/2023

OTHER PUBLICATIONS

Double Swivel Elbow with Bronchoscopy Port, Intersurgical Inc, atcmedical.com, [Post date unknown], [Site seen Jan. 26, 2023], Seen at URL: <https://www.atcmedical.com/Respiratory/Adapters-and-Connectors/ISI1898000/product.aspx> (Year: 2023).*
Swivel Connector, Covidion (Medtronic), medicalmonks.com, [Post date unknown], [Site seen Jan. 26, 2023], Seen at URL: <https://medicalmonks.com/product/shiley-double-swivel-connector/> (Year: 2023).*

* cited by examiner

Primary Examiner — Natasha Vujcic

Assistant Examiner — Gilbert B Ford

(74) *Attorney, Agent, or Firm* — Christopher J. Dynowski; Ryan W. Dupuis; Ade & Company Inc.

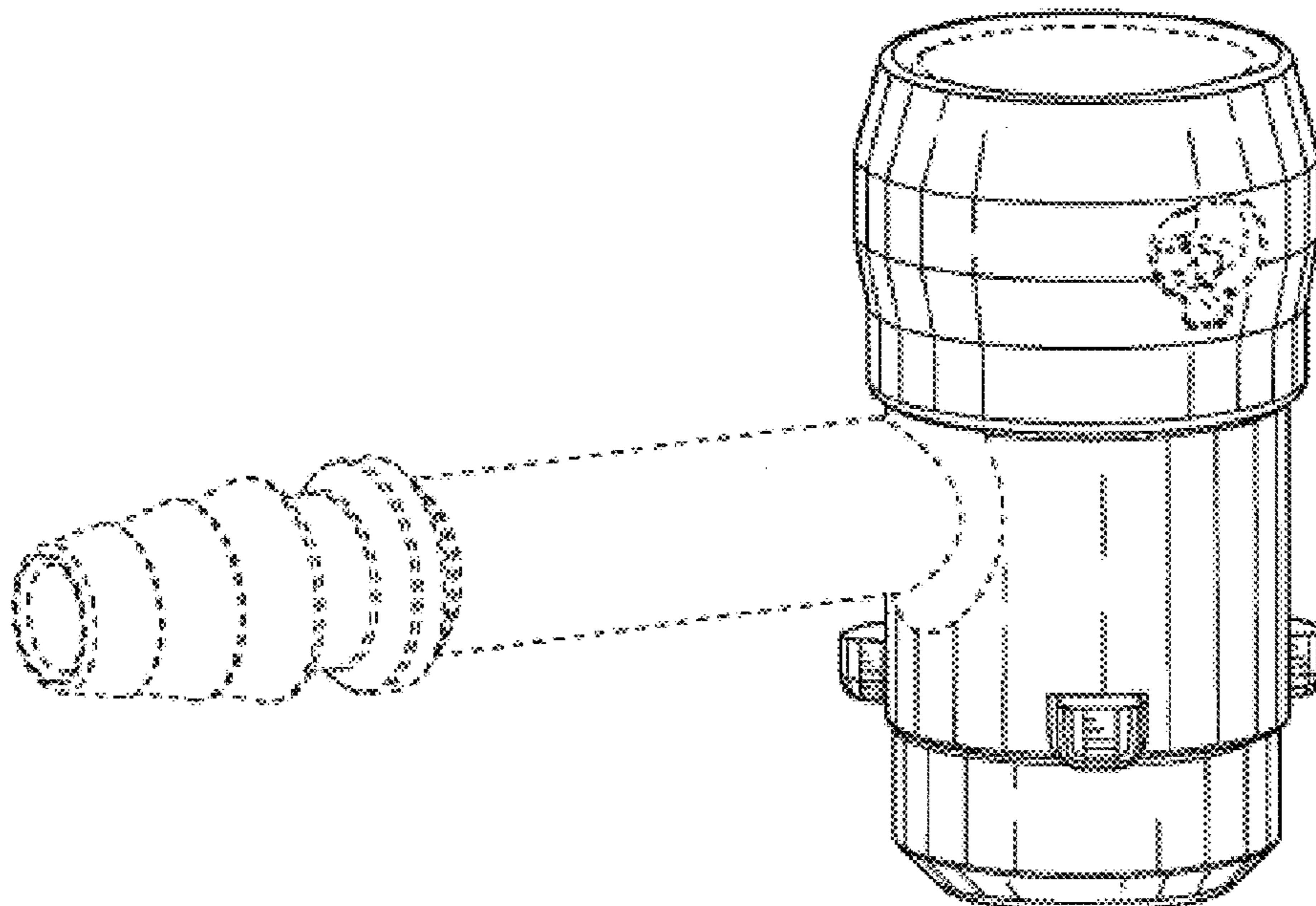
(57) **CLAIM**

The ornamental design for a suction adapter, as shown and described.

DESCRIPTION

FIG. 1 is a top perspective view of a suction adapter showing my new design;
FIG. 2 is a bottom perspective view thereof;
FIG. 3 is a side view thereof;
FIG. 4 is an opposite side view thereof;
FIG. 5 is an end view thereof;
FIG. 6 is an opposite end view thereof;
FIG. 7 is a top plan view thereof; and,
FIG. 8 is a bottom plan view thereof.
Broken line portions form no part of the claimed design.

1 Claim, 4 Drawing Sheets



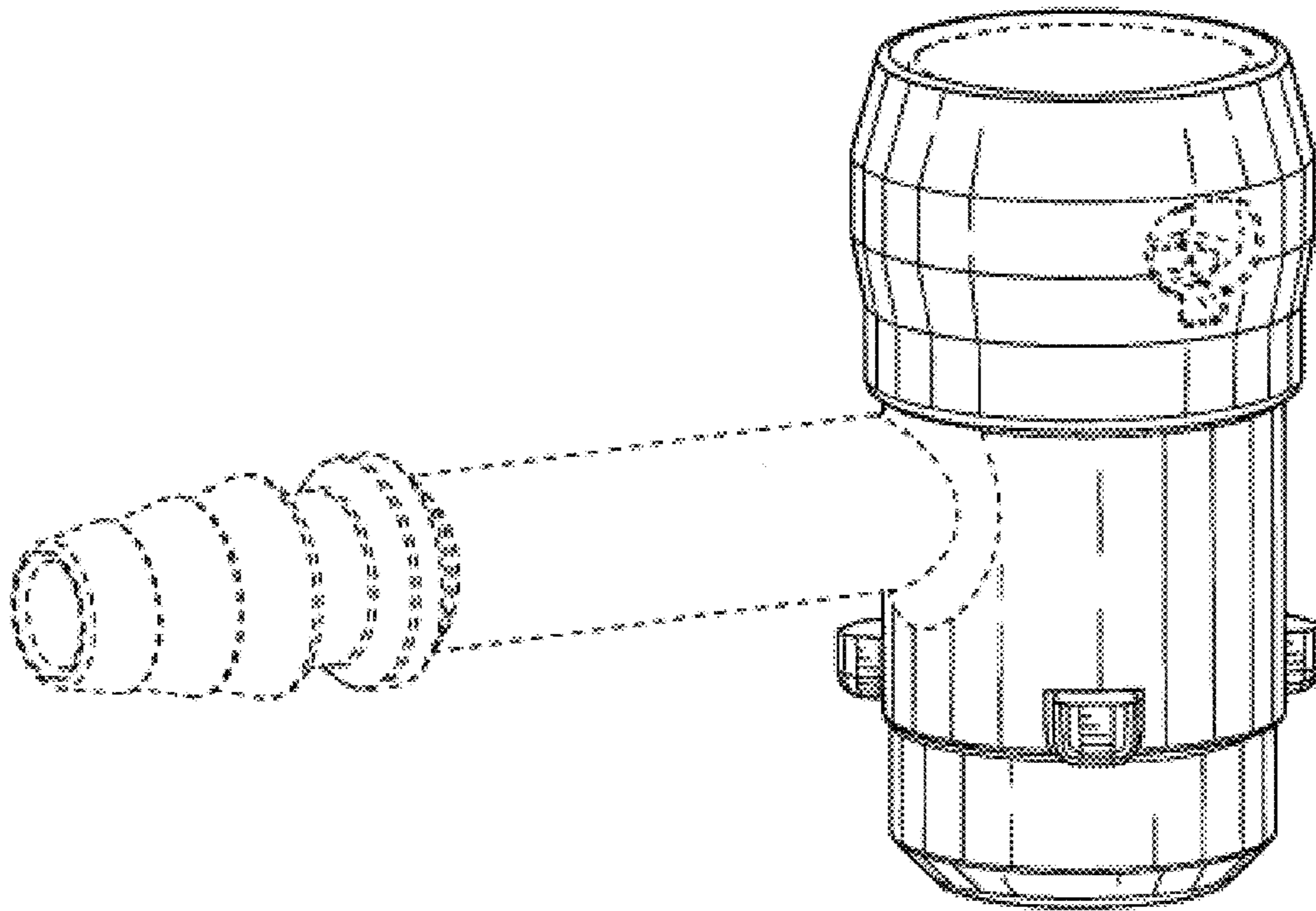


FIG. 1

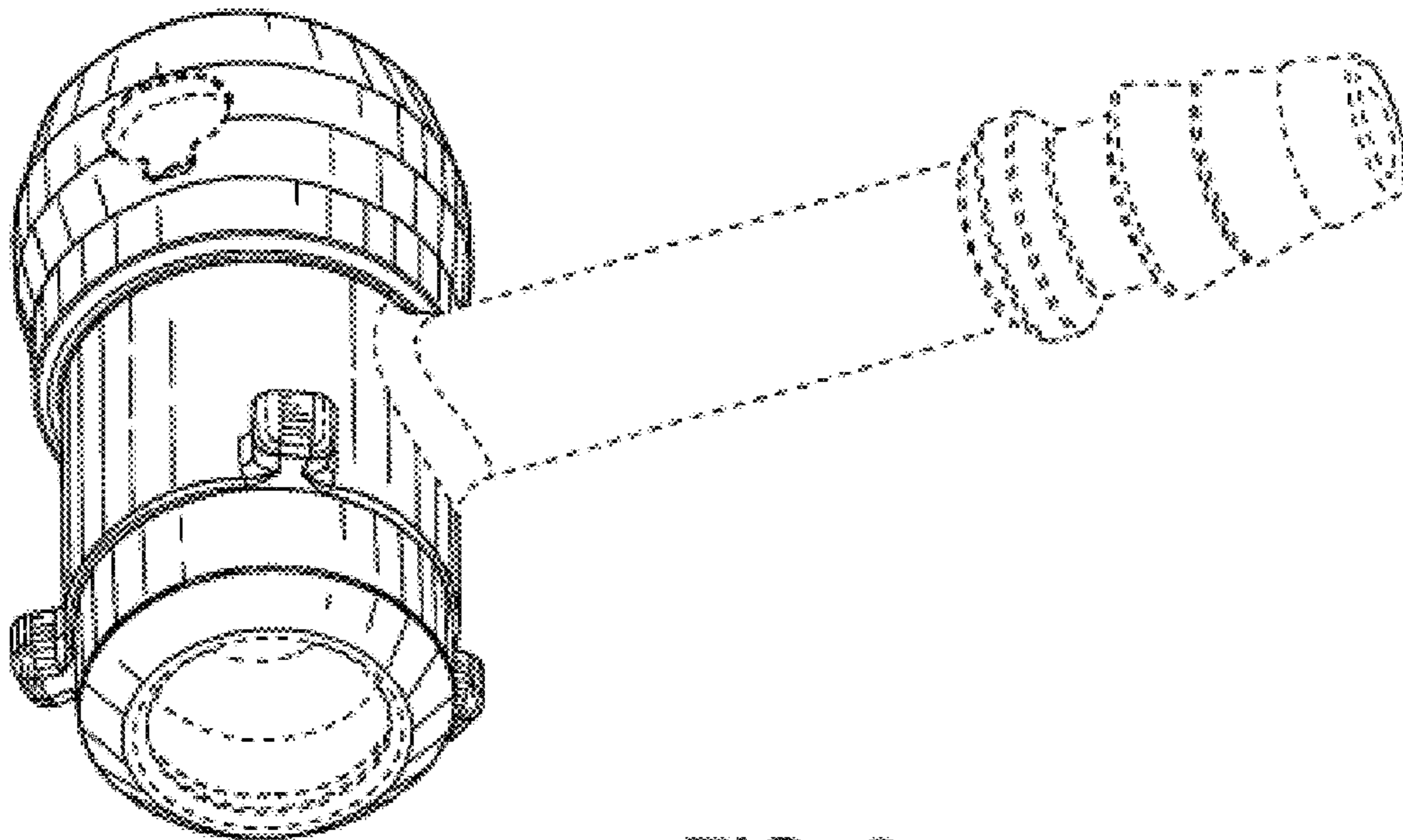


FIG. 2

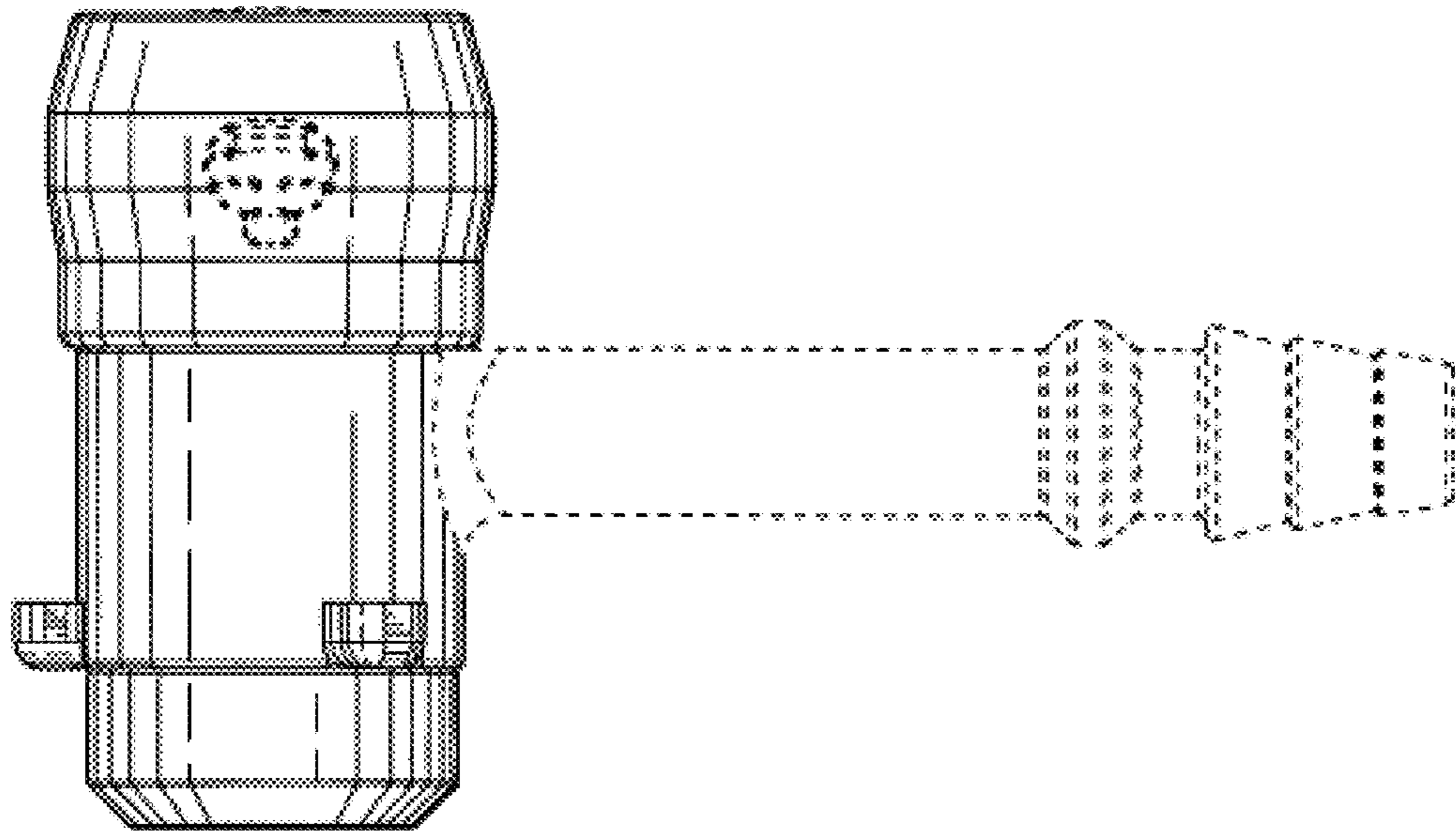


FIG. 3

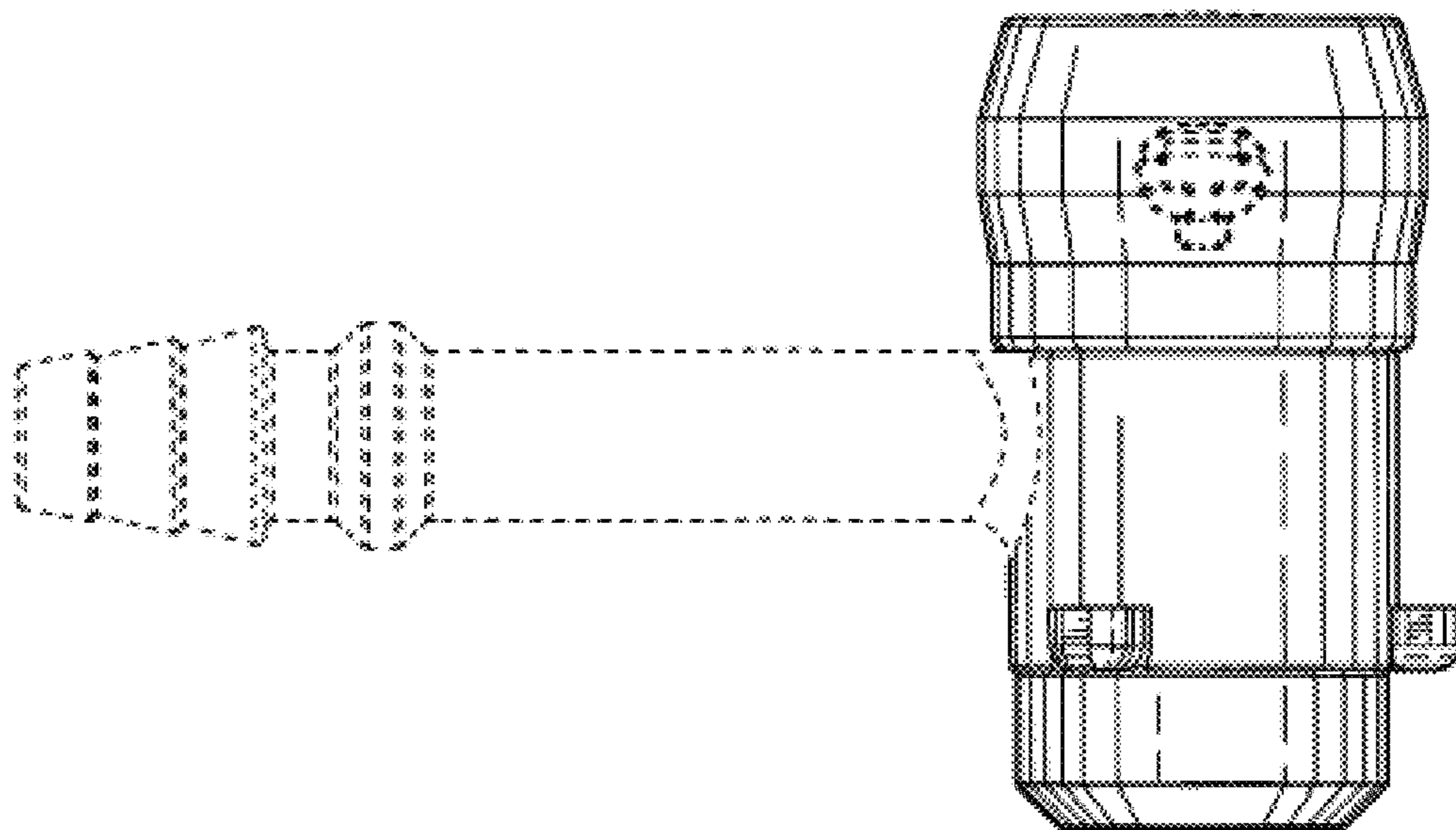


FIG. 4

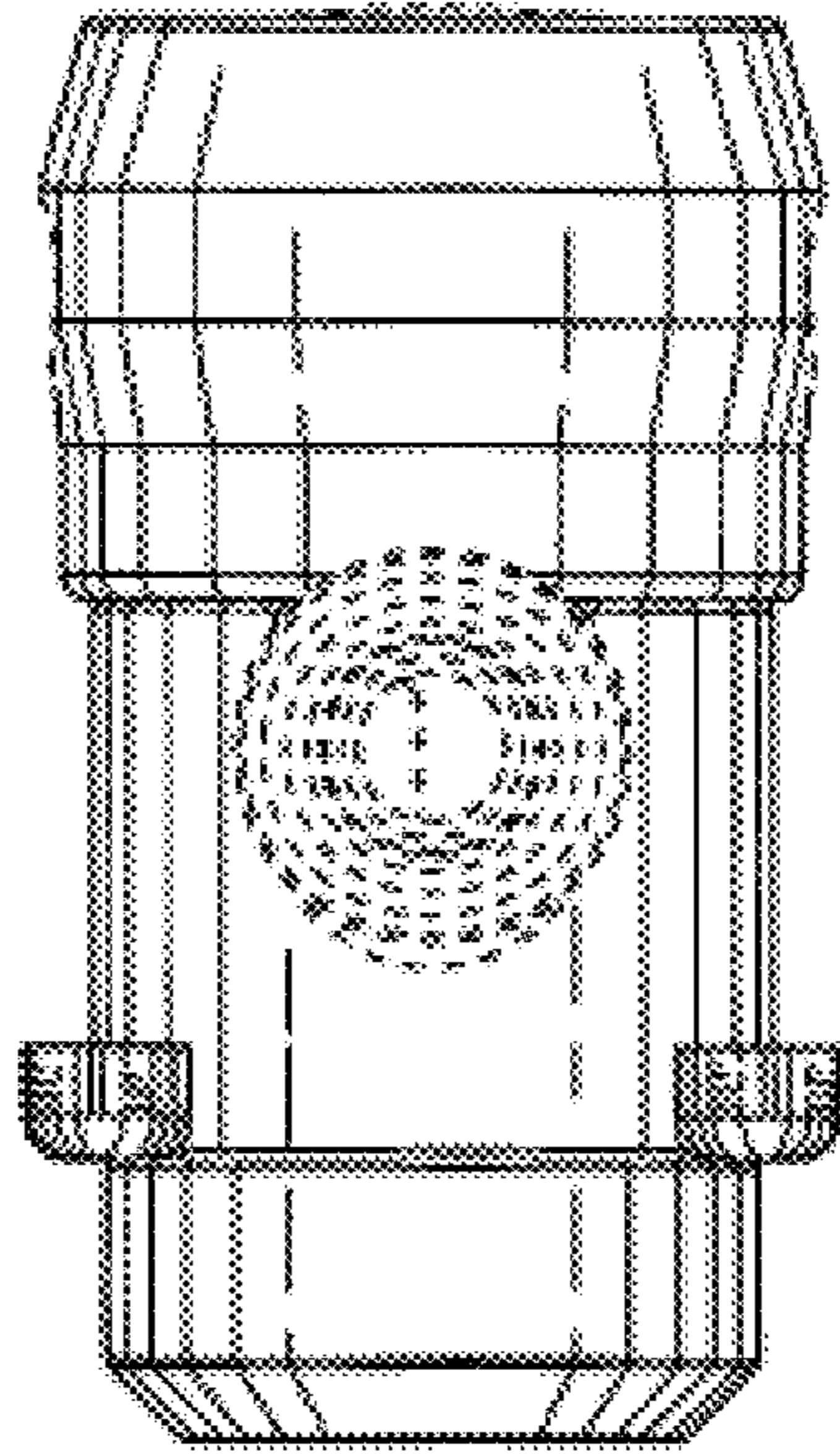


FIG. 5

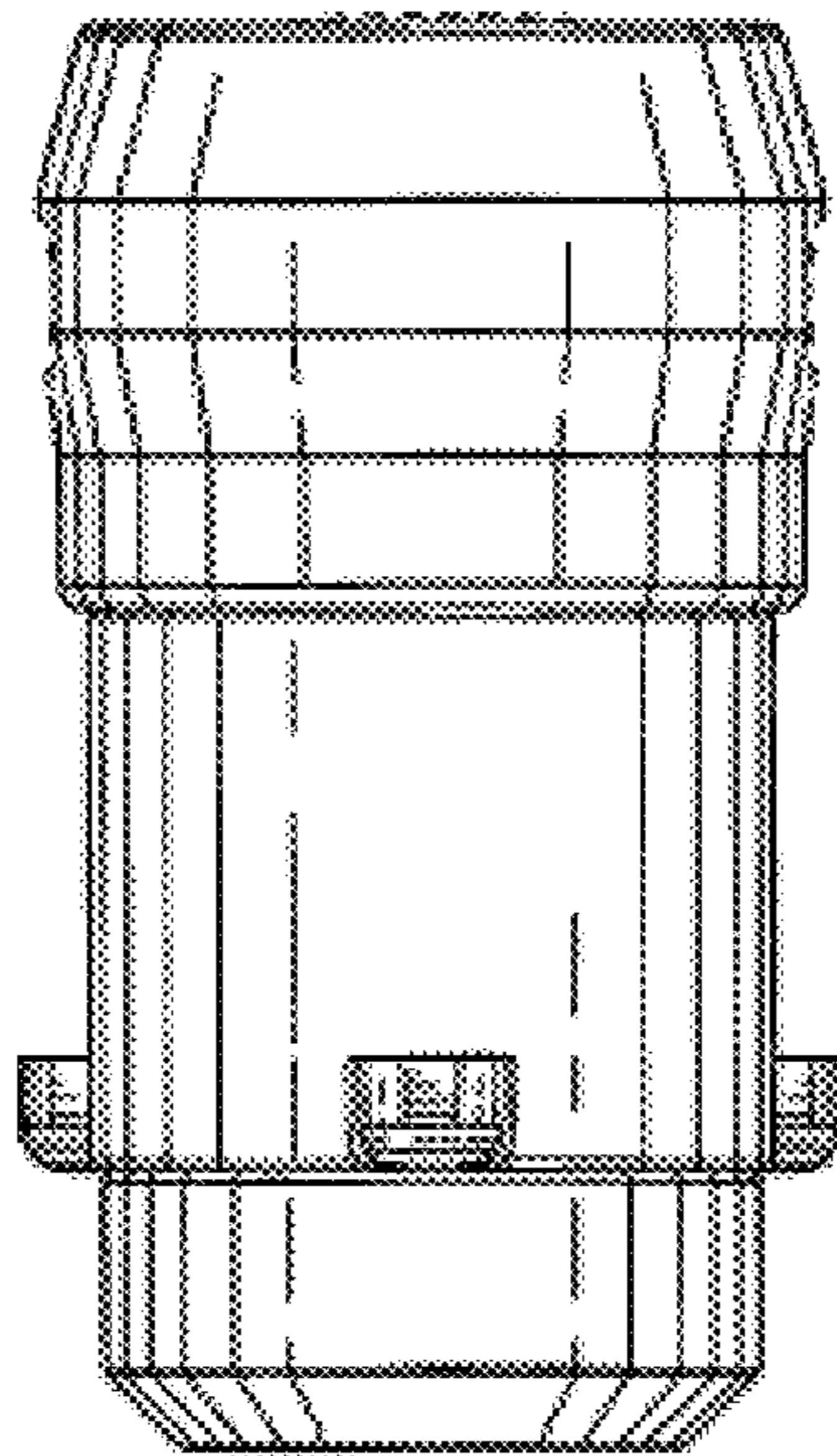


FIG. 6

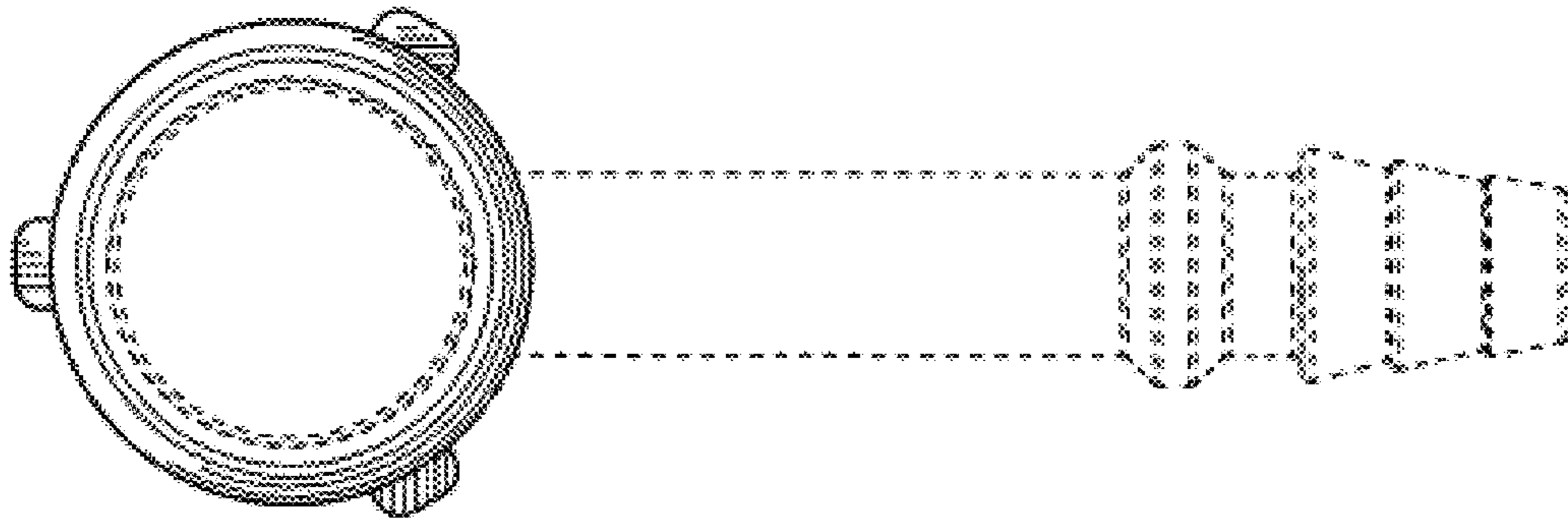


FIG. 7

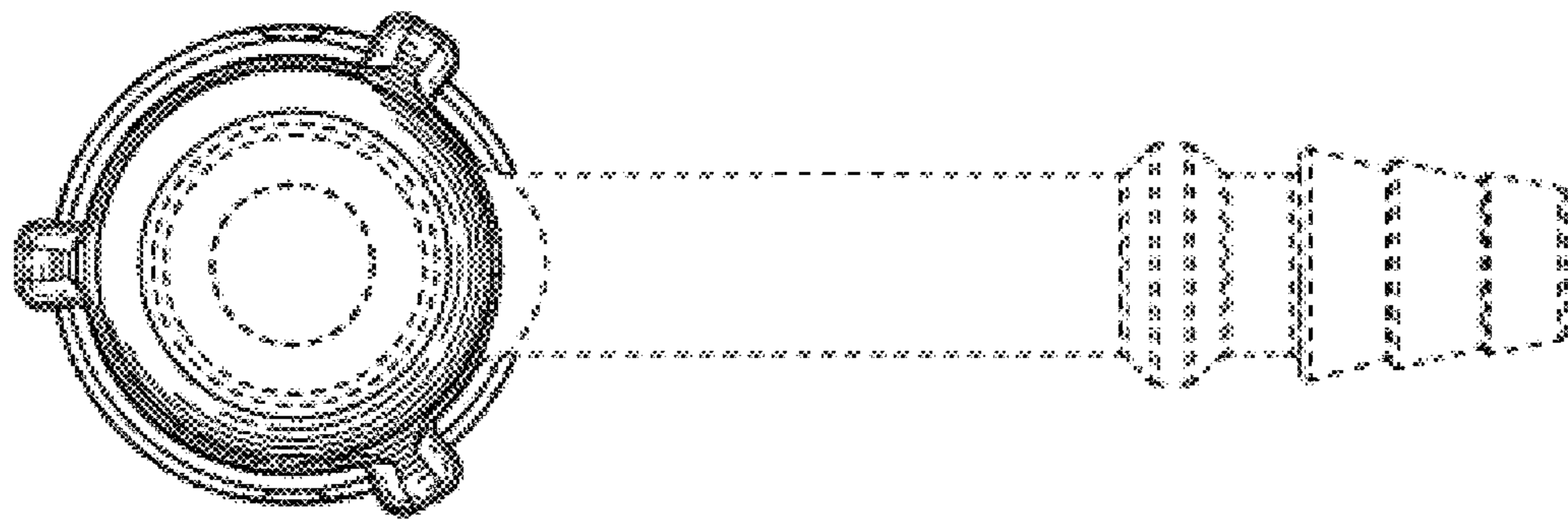


FIG. 8