



US00D983364S

(12) **United States Design Patent** (10) **Patent No.:** **US D983,364 S**
Kagan et al. (45) **Date of Patent:** **** Apr. 11, 2023**

(54) **THORACIC CATHETER PROTECTOR
POUCH**

D907,784 S * 1/2021 O'Brien D24/190
D931,442 S * 9/2021 Gajadhar D3/215
11,134,957 B2 * 10/2021 Harding A61B 17/135
D946,769 S * 3/2022 Stearns D24/190

(71) Applicants: **Karen Kagan**, Fort Myers, FL (US);
Gabriel Kagan, Fort Myers, FL (US);
Evan Kagan, Fort Myers, FL (US)

(Continued)

FOREIGN PATENT DOCUMENTS

(72) Inventors: **Karen Kagan**, Fort Myers, FL (US);
Gabriel Kagan, Fort Myers, FL (US);
Evan Kagan, Fort Myers, FL (US)

CN 307373544 * 5/2022

OTHER PUBLICATIONS

(**) Term: **15 Years**

Riester Cuff, Thigh, Pneumatic Tourniquet, Reister, medicaldevicedepot.com, [Postdate unknown], [Site seen Nov. 14, 2022], Seen at URL: <https://www.medicaldevicedepot.com/Riester-Cuff-Thigh-Pneumatic-Tourniquet-p/11223-rstr.htm> (Year: 2022).*

(21) Appl. No.: **29/797,776**

(Continued)

(22) Filed: **Jul. 2, 2021**

(51) **LOC (14) Cl.** **24-02**

(52) **U.S. Cl.**
USPC **D24/128**

(58) **Field of Classification Search**
USPC D24/127-130, 188-190
CPC A61M 25/02; A61M 2025/0206; A61M
2025/024; A61M 2025/0266; A61M
2025/028; A61M 2025/0246; Y10S
128/26

See application file for complete search history.

Primary Examiner — Natasha Vujcic
Assistant Examiner — Gilbert B Ford
(74) *Attorney, Agent, or Firm* — Edward M. Livingston,
Esq.; Livingston Law, P.A.

(57) **CLAIM**

The ornamental design for a thoracic catheter protector pouch, as shown and described.

DESCRIPTION

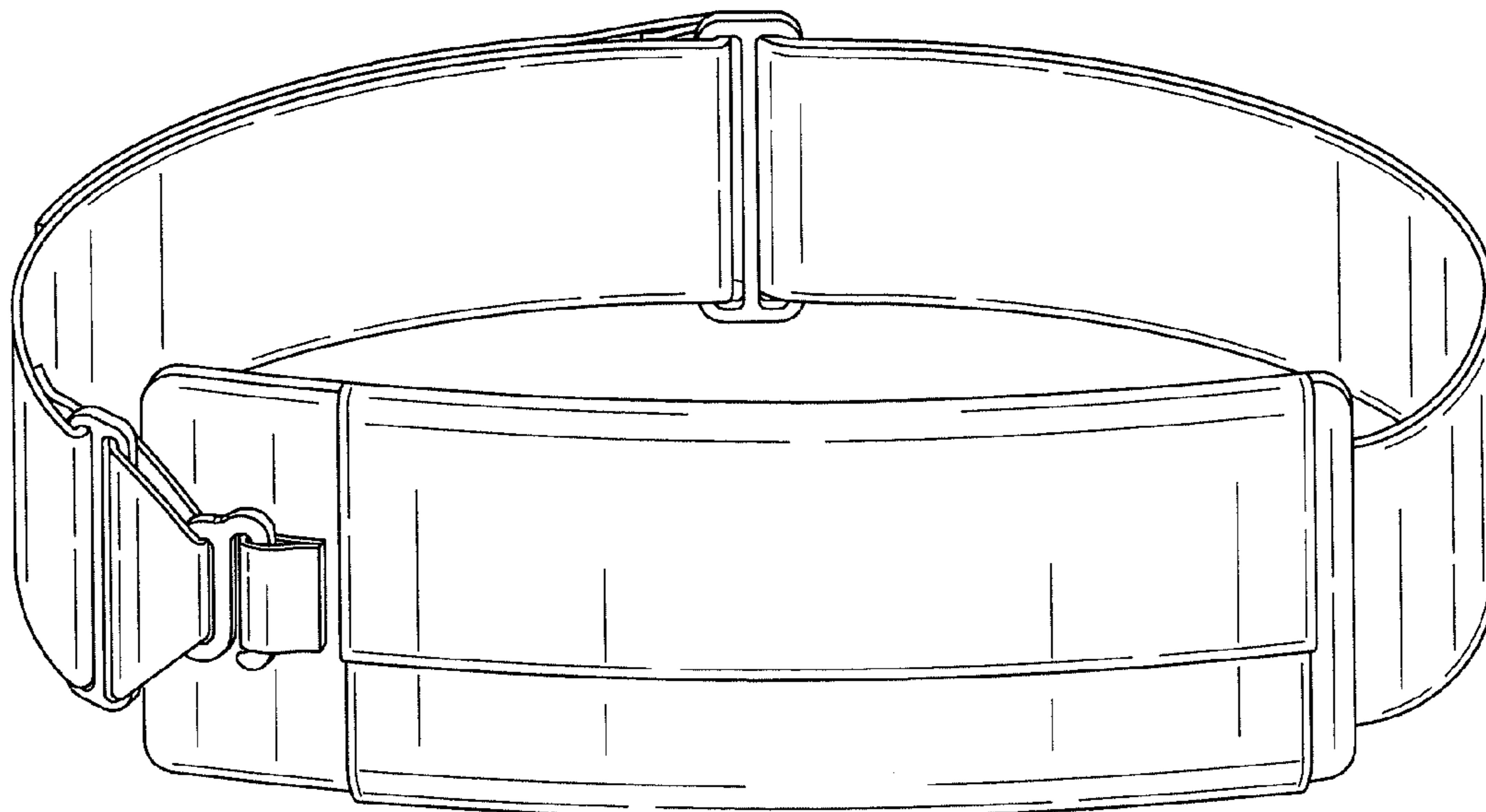
(56) **References Cited**

U.S. PATENT DOCUMENTS

5,048,122 A 9/1991 Prieur
5,755,698 A 5/1998 Kagan et al.
6,126,639 A 10/2000 Sutherland et al.
6,206,854 B1 3/2001 Weaver
D448,083 S * 9/2001 Tuan D24/188
D455,213 S * 4/2002 Weaver, II D24/190
6,579,268 B1 6/2003 Lioning
6,681,404 B1 1/2004 Adlard et al.
7,201,739 B2 4/2007 Walborn
D810,951 S 2/2018 Tooke
10,149,964 B2 12/2018 Fitzgerald et al.
D891,706 S * 7/2020 Lee D24/190

FIG. 1 is a front perspective view of a thoracic catheter protector pouch;
FIG. 2 is a left view of the thoracic catheter protector pouch;
FIG. 3 is a right view of the thoracic catheter protector pouch;
FIG. 4 is a front view of the thoracic catheter protector pouch;
FIG. 5 is a rear view of the thoracic catheter protector pouch;
FIG. 6 is a top view of the thoracic catheter protector pouch;
and,
FIG. 7 is a bottom view of the thoracic catheter protector pouch.

1 Claim, 3 Drawing Sheets



(56)

References Cited

U.S. PATENT DOCUMENTS

D948,204 S * 4/2022 Goldstein D3/222
D955,687 S * 6/2022 Jenni D2/610
D963,850 S * 9/2022 Moriarty A61M 16/0488
D24/128
D966,504 S * 10/2022 Xu D3/203.1
D967,442 S * 10/2022 Sudell D24/190
2005/0033241 A1 2/2005 Hottinger
2009/0054844 A1 2/2009 Alyea et al.

OTHER PUBLICATIONS

Catheter Holder, PLCEO, /cayman.desertcart.com, [Post date: unknown],
[Site seen Nov. 14, 2022], Seen at URL: <https://cayman.desertcart.com/products/82574311-catheter-holder-catheter-leg-strap-catheter-fixation-tape-leg-holder-urinary-incontinence-supplies-c%E2%80%A6>
A6 (Year: 2022).*

* cited by examiner

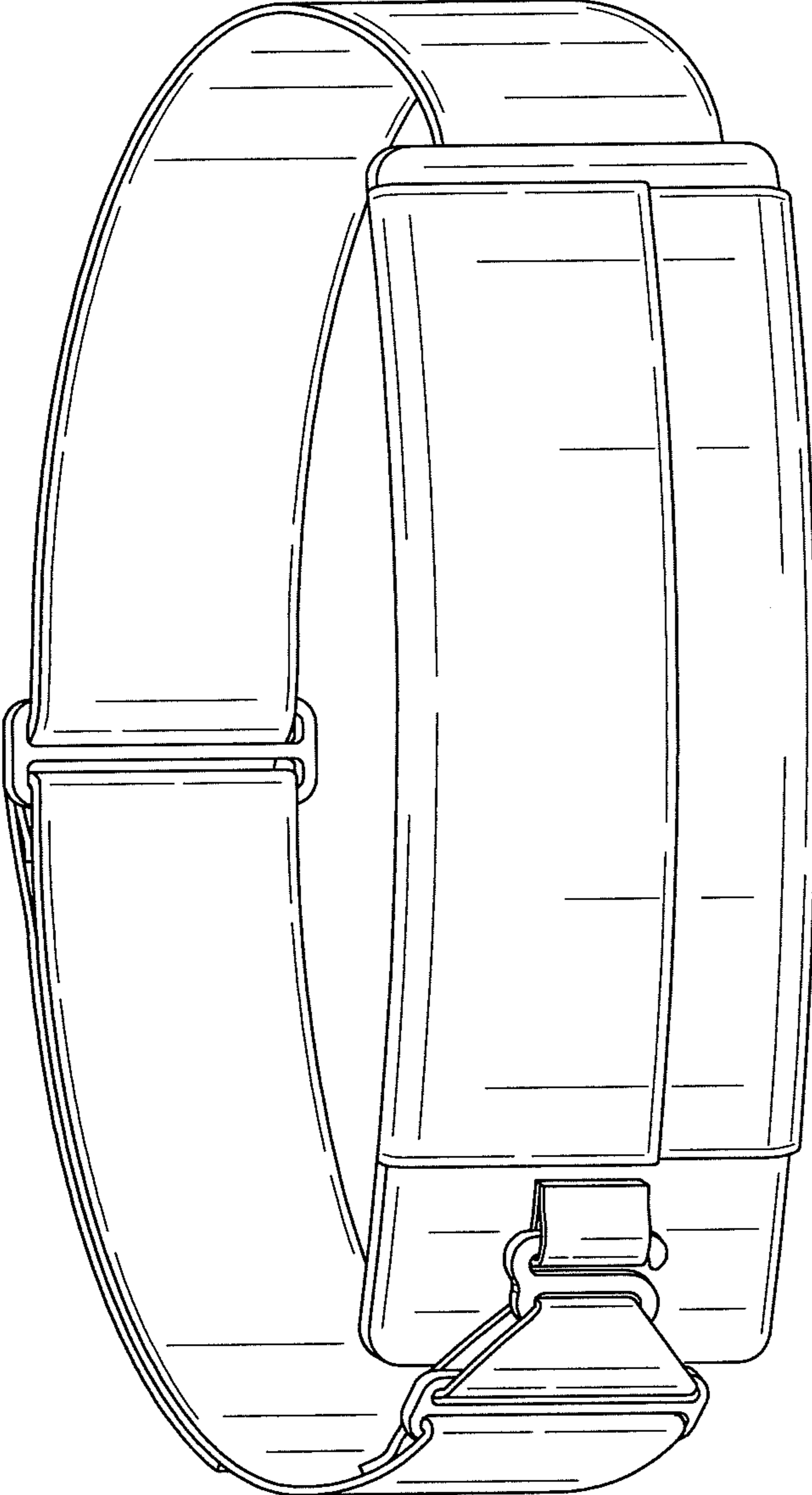


FIG. 1

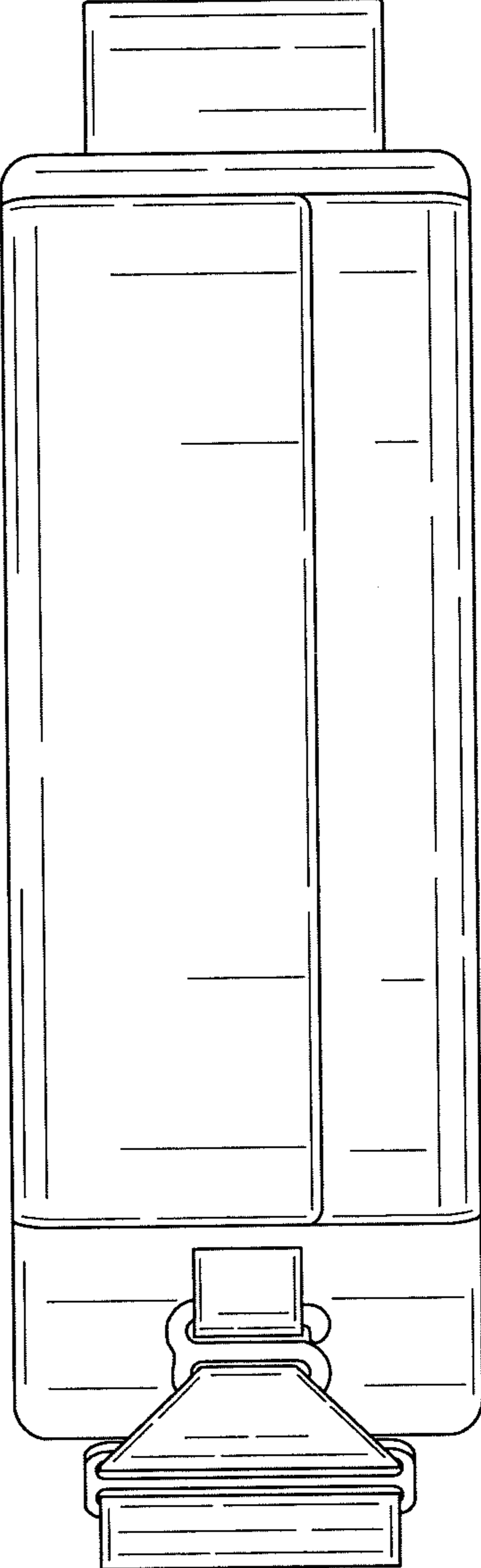


FIG. 2

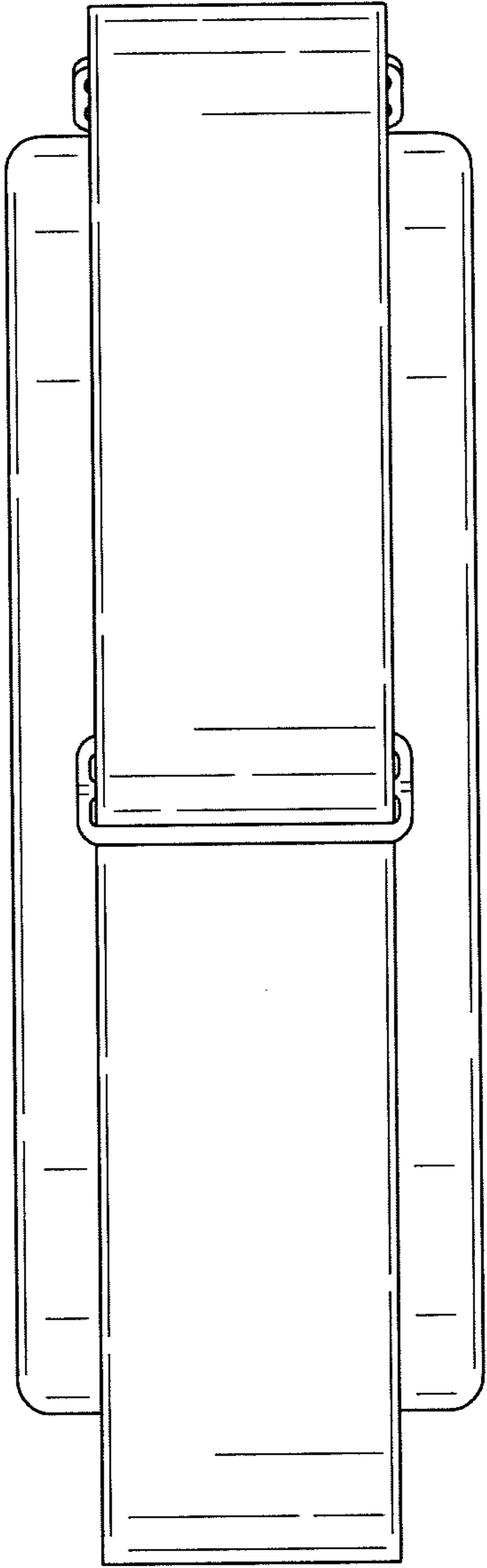


FIG. 3

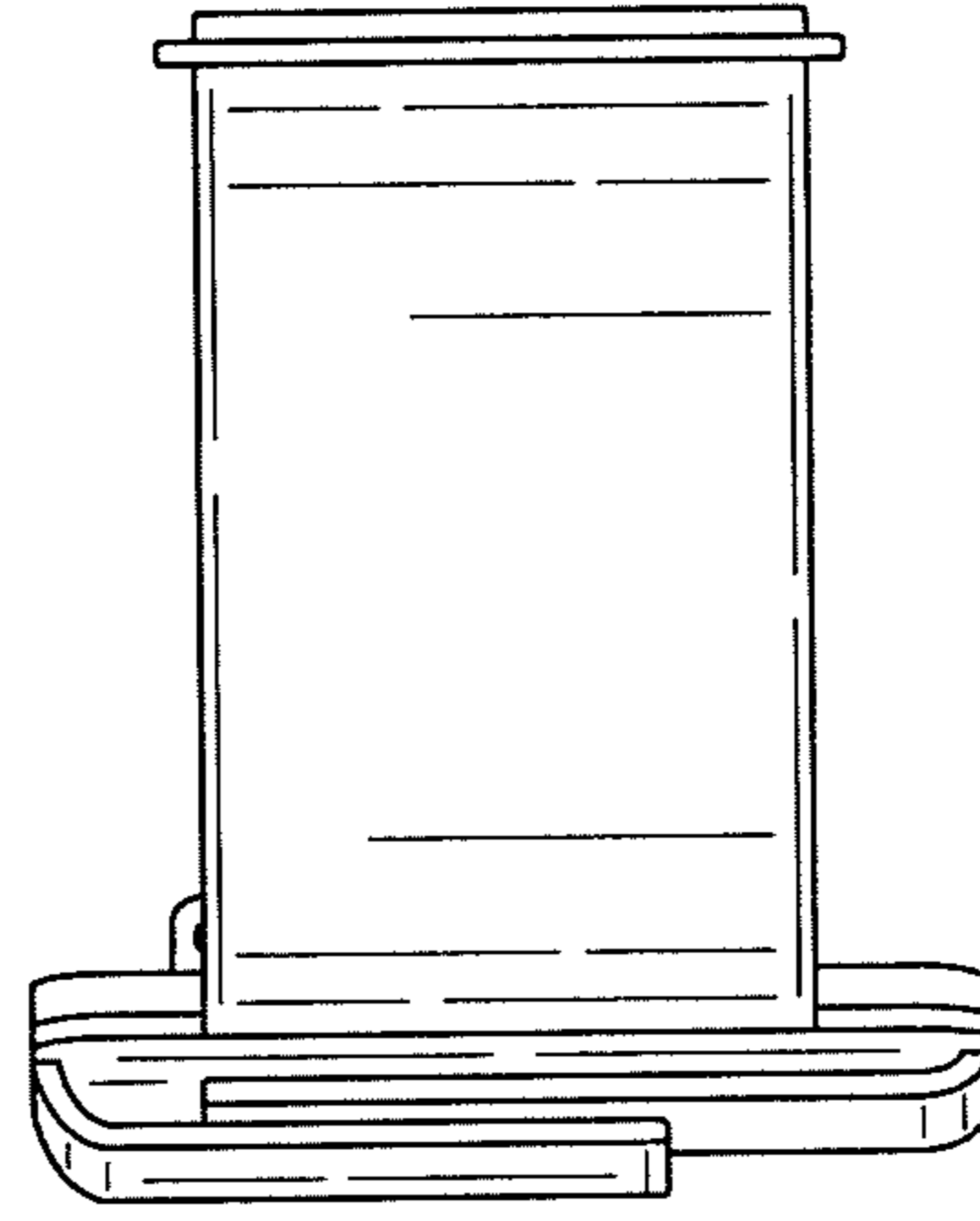


FIG. 5

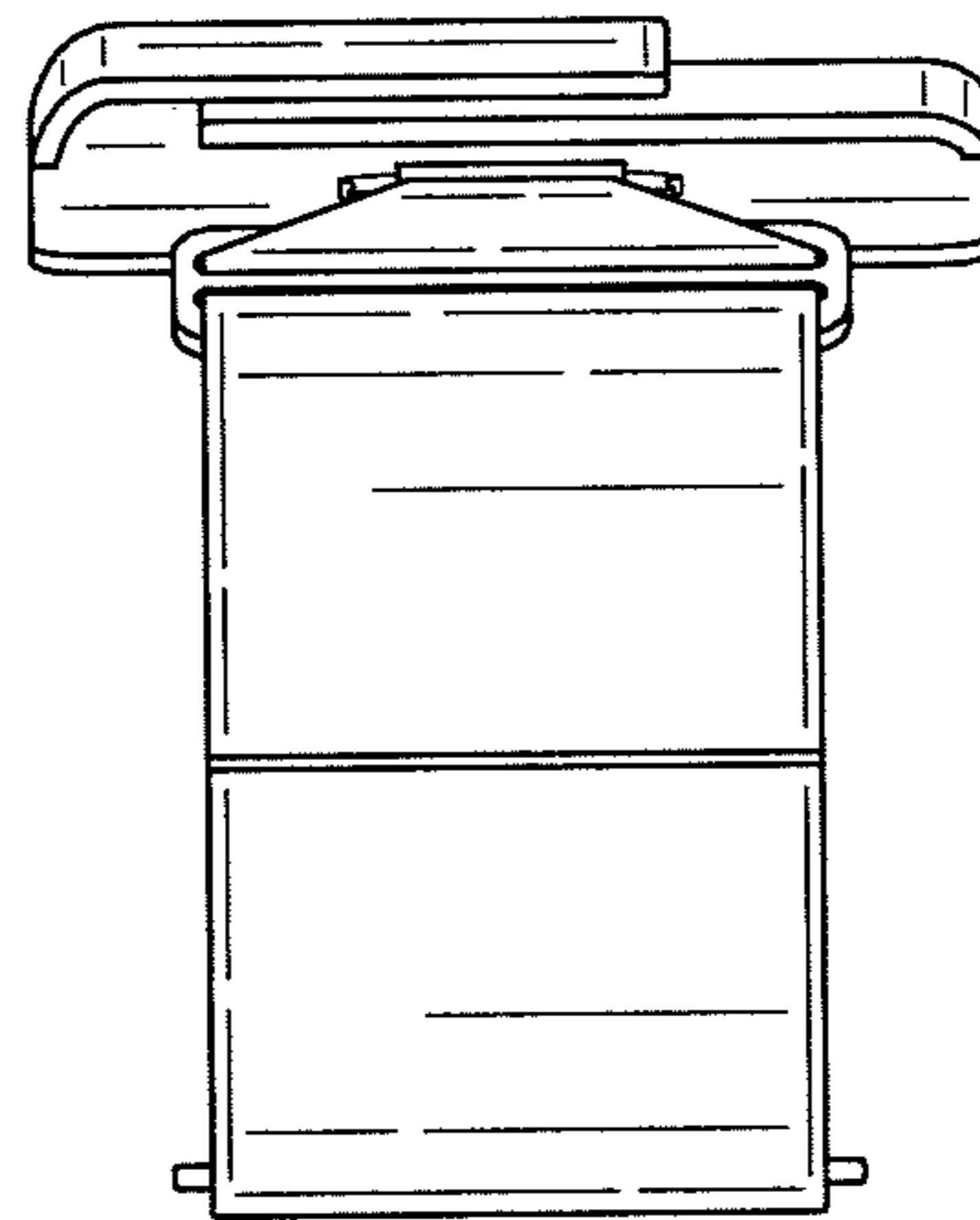


FIG. 4

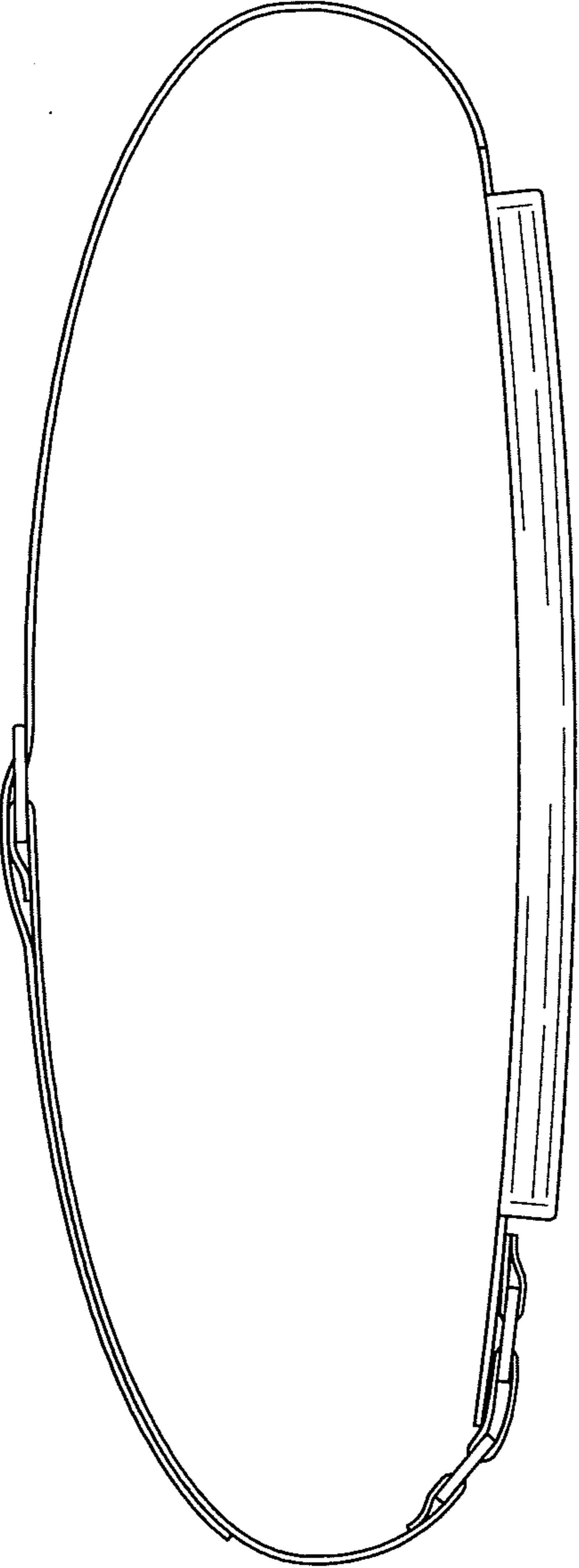


FIG. 6

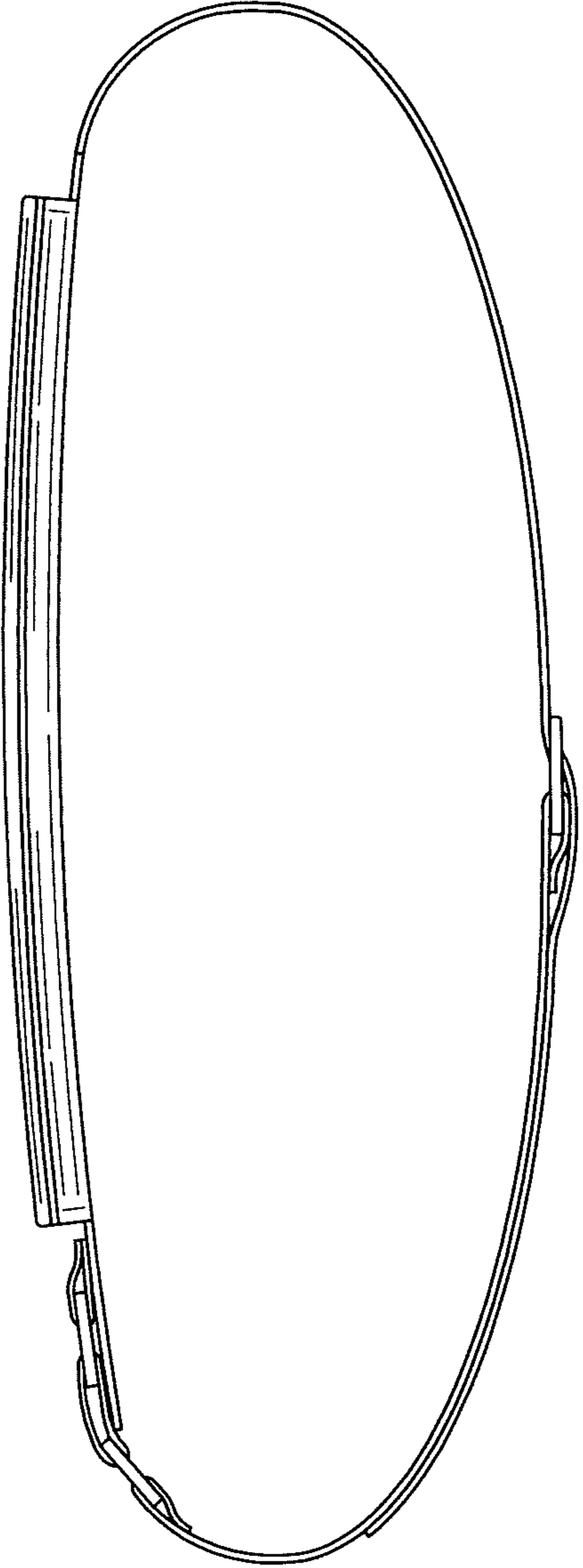


FIG. 7