



US00D983363S

(12) **United States Design Patent**  
**Yau**

(10) **Patent No.:** **US D983,363 S**  
(45) **Date of Patent:** **\*\* Apr. 11, 2023**

(54) **PORTABLE SECURING SYRINGE DEVICE**

(71) Applicant: **Man-Pun Yau**, Tainan (TW)

(72) Inventor: **Man-Pun Yau**, Tainan (TW)

(\*\*) Term: **15 Years**

(21) Appl. No.: **29/788,378**

(22) Filed: **May 12, 2021**

(51) **LOC (14) Cl.** ..... **24-02**

(52) **U.S. Cl.**  
USPC ..... **D24/128**

(58) **Field of Classification Search**  
USPC ..... D8/349, 352, 353, 354, 373, 380, 381,  
D8/382, 394, 396; D24/127, 128  
CPC ..... A61M 5/3204; A61M 2209/04; A61M  
2205/586; A44B 15/00  
See application file for complete search history.

(56) **References Cited**

**U.S. PATENT DOCUMENTS**

D481,659 S *	11/2003	Reimann	.....	D12/180
D656,006 S *	3/2012	Underkoffler	.....	D8/394
D789,778 S *	6/2017	White, Sr.	.....	D3/215
D852,520 S *	7/2019	Dudley	.....	D6/323
D856,791 S *	8/2019	Limber	.....	D8/395
D866,563 S *	11/2019	Zhang	.....	D14/447
D876,942 S *	3/2020	Kuhl	.....	F16B 7/22
				D8/394
D881,551 S *	4/2020	Feng	.....	D14/447
2003/0002277 A1 *	1/2003	Lu	.....	G06F 1/183
				362/109
2020/0390979 A1 *	12/2020	Yau	.....	A44B 15/00
2022/0001524 A1 *	1/2022	Williams-Sterling	.....	
				A45D 29/04

**OTHER PUBLICATIONS**

Pocket Clip Multi-Tool No. U130, Lucky Line, [Post date: Sep. 27, 2020], [Site seen Sep. 15, 2022], Seen at URL: <https://luckyline.com/products/pocket-clip-multi-tool> (Year: 2020).\*  
Belt Clip—Universal Sheath/Holster—Tough Clip—IWB—(1.75) Stock# HHW-BC-STR175-2H-BK-1, Hazmat Holster Works, [Post date: unknown], [Site seen Sep. 15, 2022], Seen at URL: <https://www.knifekits.com/vcom/belt-clip-universal-sheathholster-tough-clip-iwb-175-p-11742.html> (Year: 2022).\*

\* cited by examiner

*Primary Examiner* — Natasha Vujcic  
*Assistant Examiner* — Gilbert B Ford

(57) **CLAIM**

I claim, the ornamental design for a portable securing syringe device, as shown and described.

**DESCRIPTION**

FIG. 1 is a perspective view of a portable securing syringe device showing my design.

FIG. 2 is a front elevational view thereof;

FIG. 3 is a rear elevational view thereof;

FIG. 4 is a left side elevational view thereof;

FIG. 5 is a right side elevational view thereof;

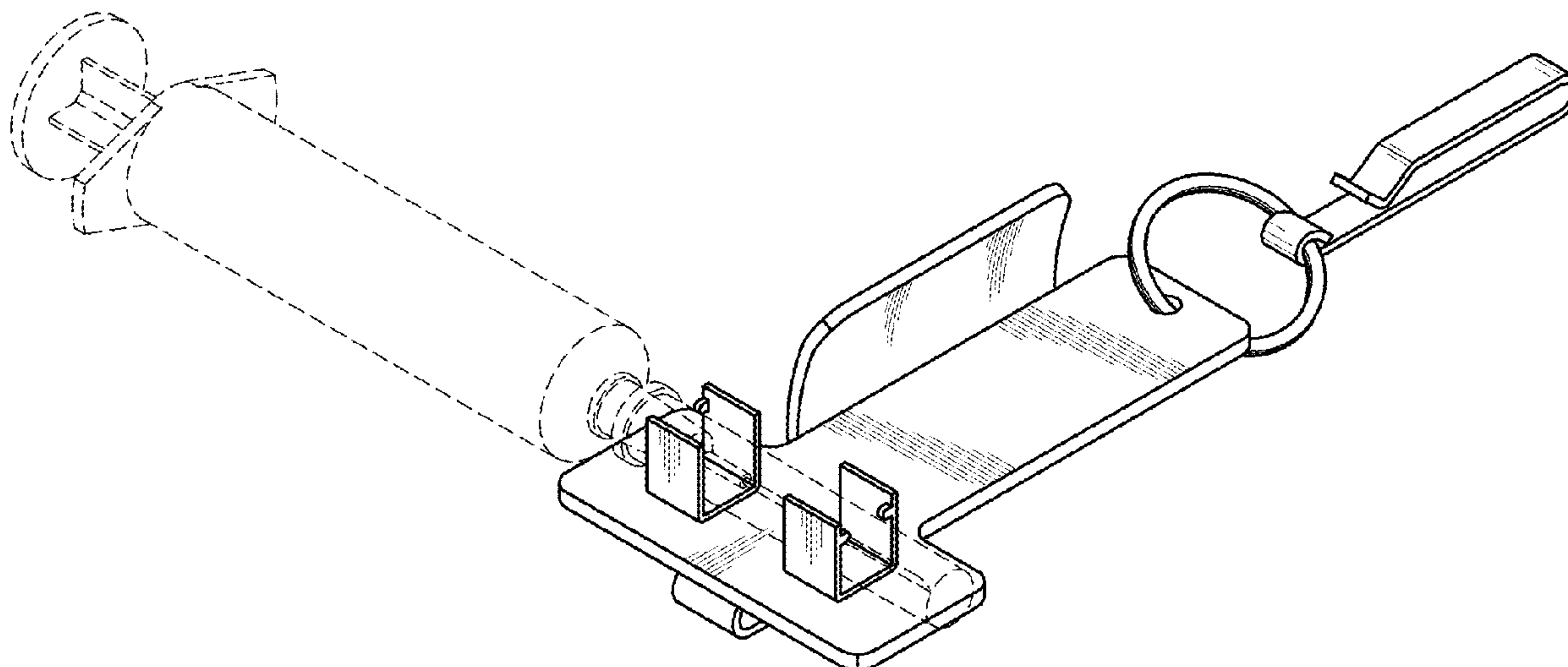
FIG. 6 is a top plan view thereof;

FIG. 7 is a bottom plan view thereof; and,

FIG. 8 is another perspective view shown in a position of use.

The broken lines in the drawings illustrate portions of the environment of the portable securing syringe device and form no part of the claimed design.

**1 Claim, 8 Drawing Sheets**



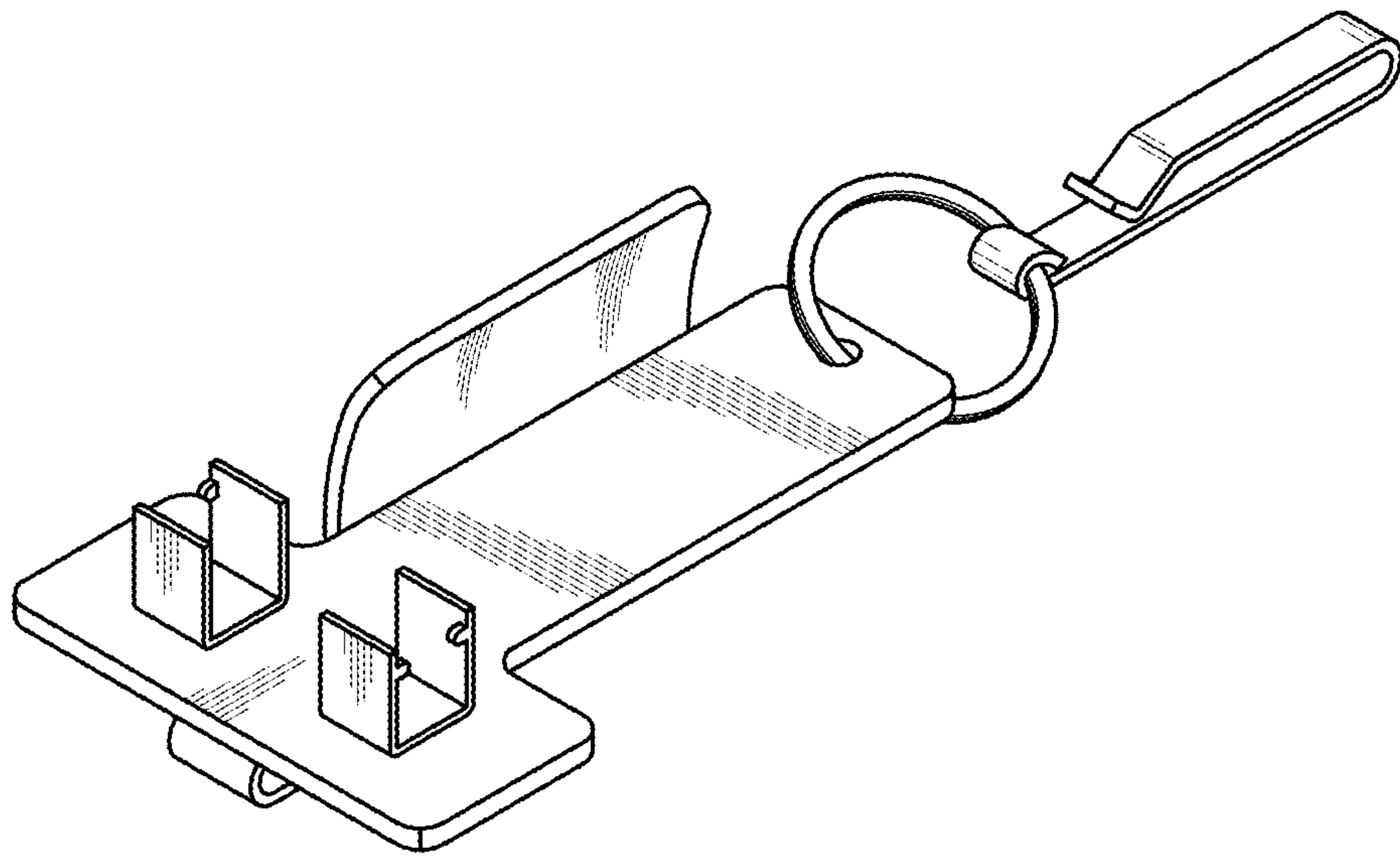


FIG. 1

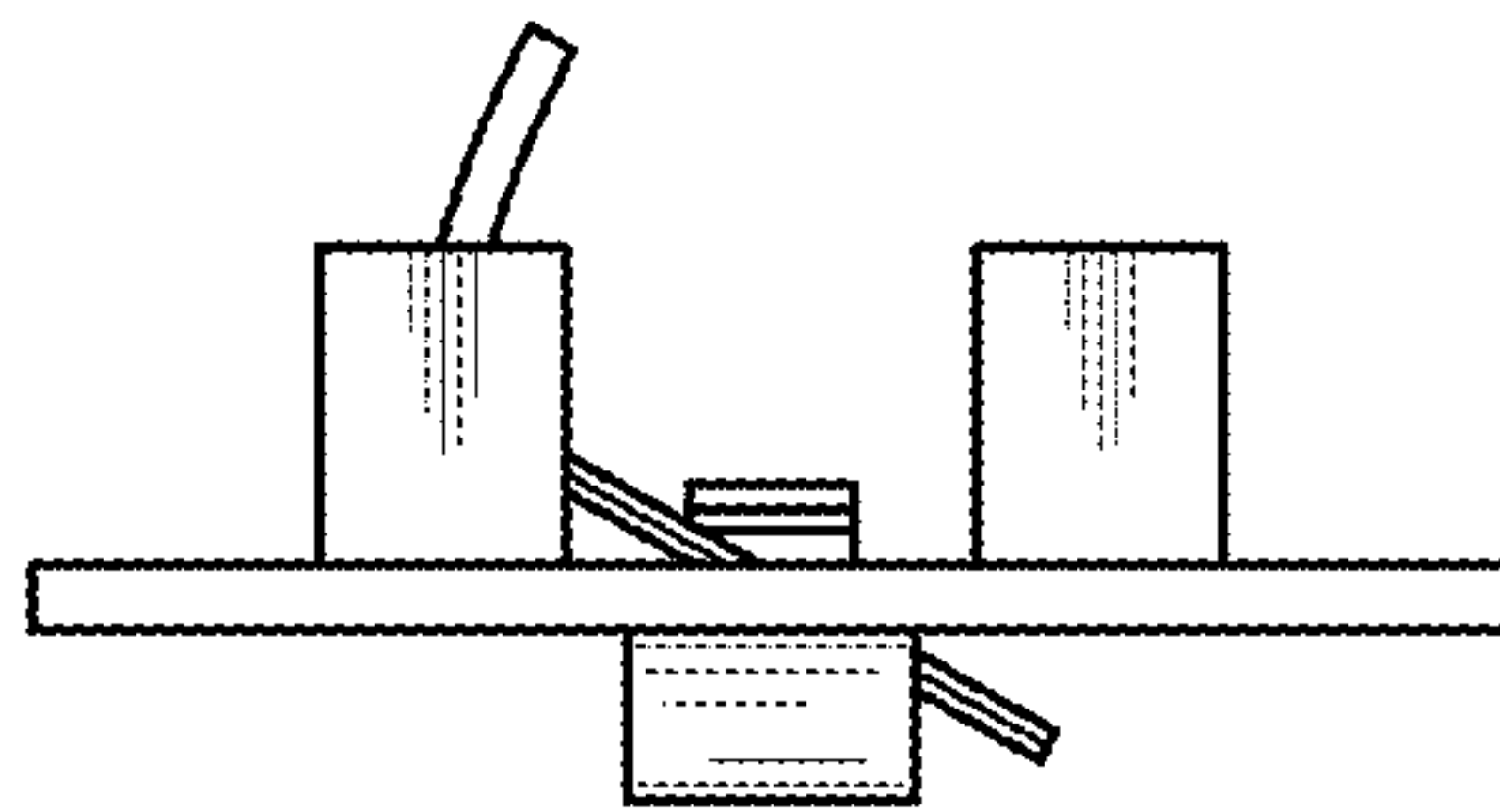


FIG.2

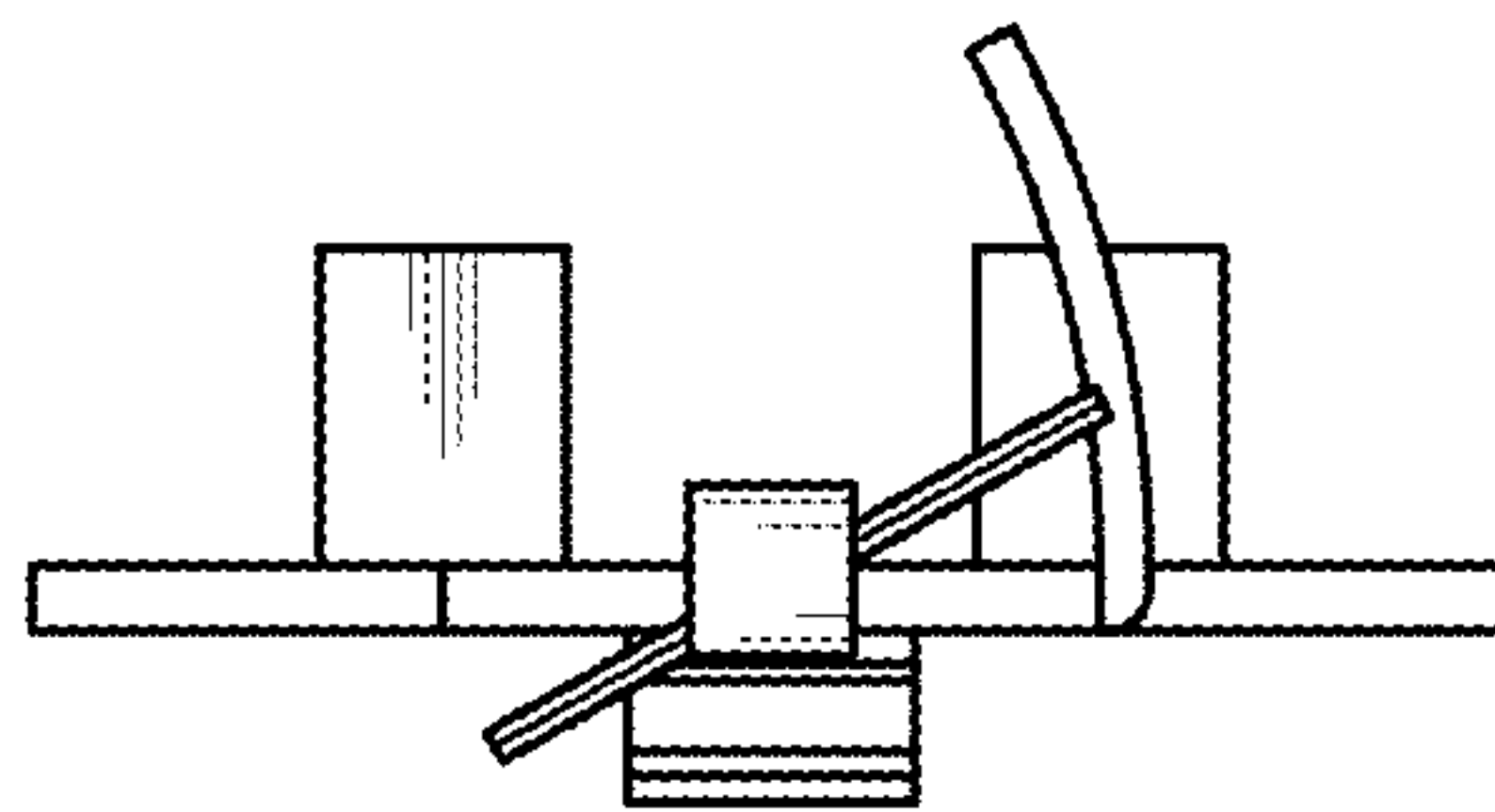


FIG.3

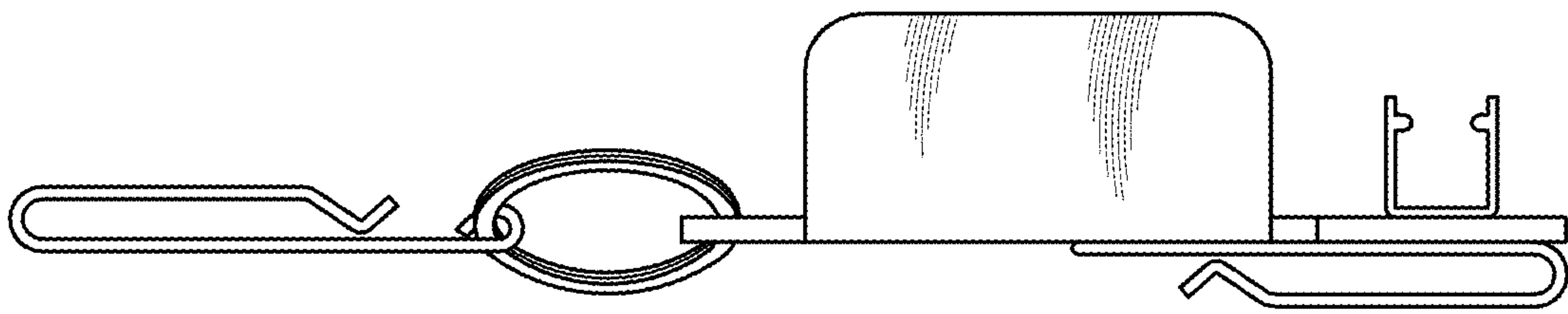


FIG.4

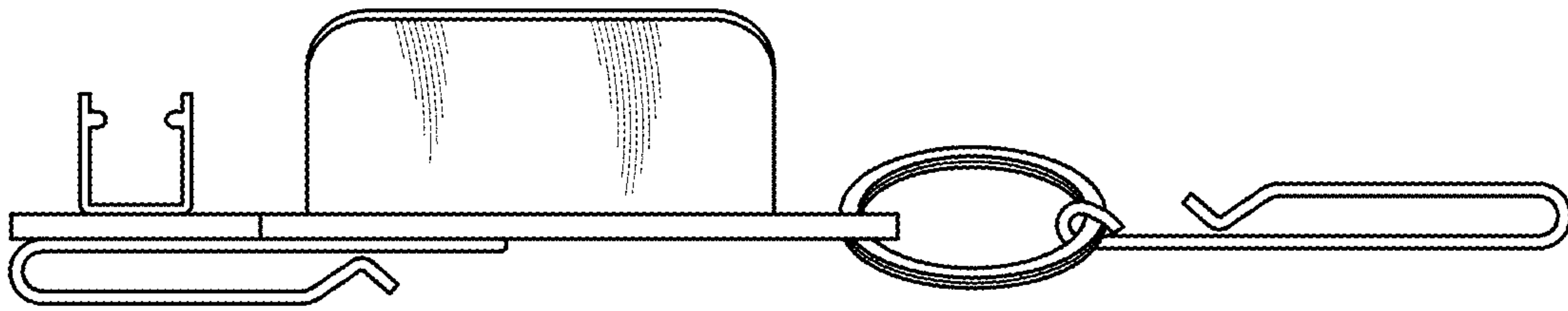


FIG.5

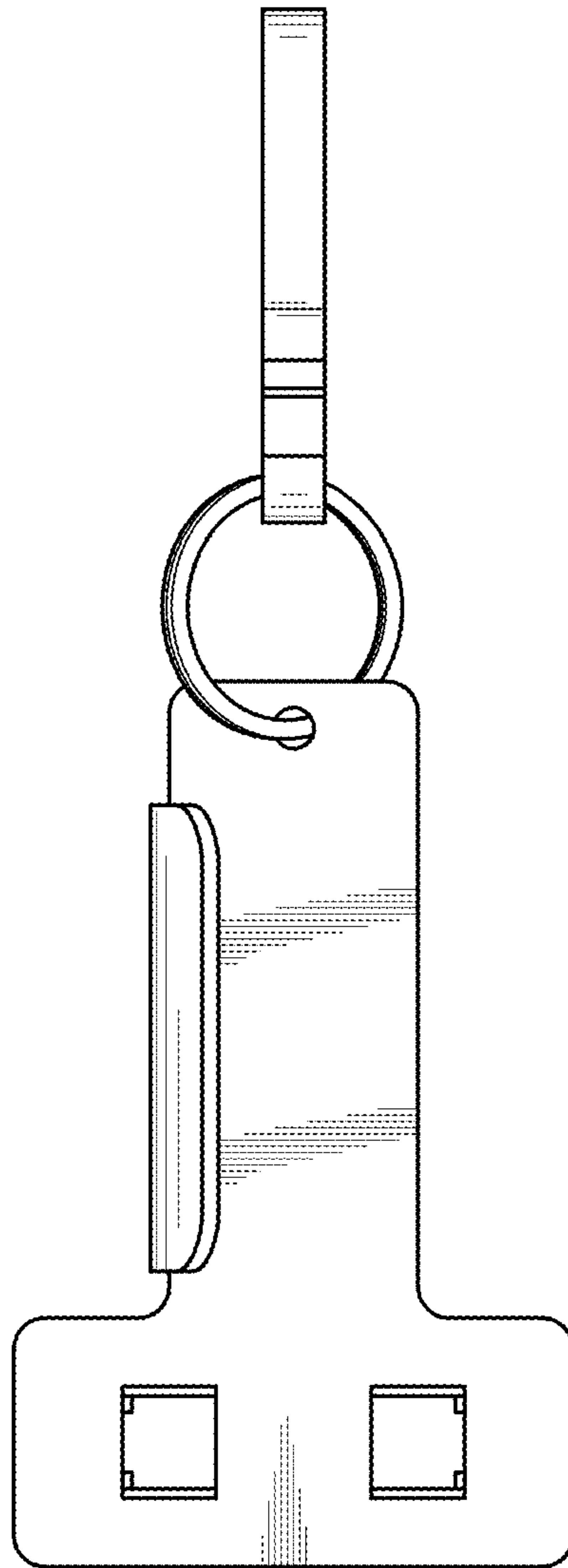


FIG.6

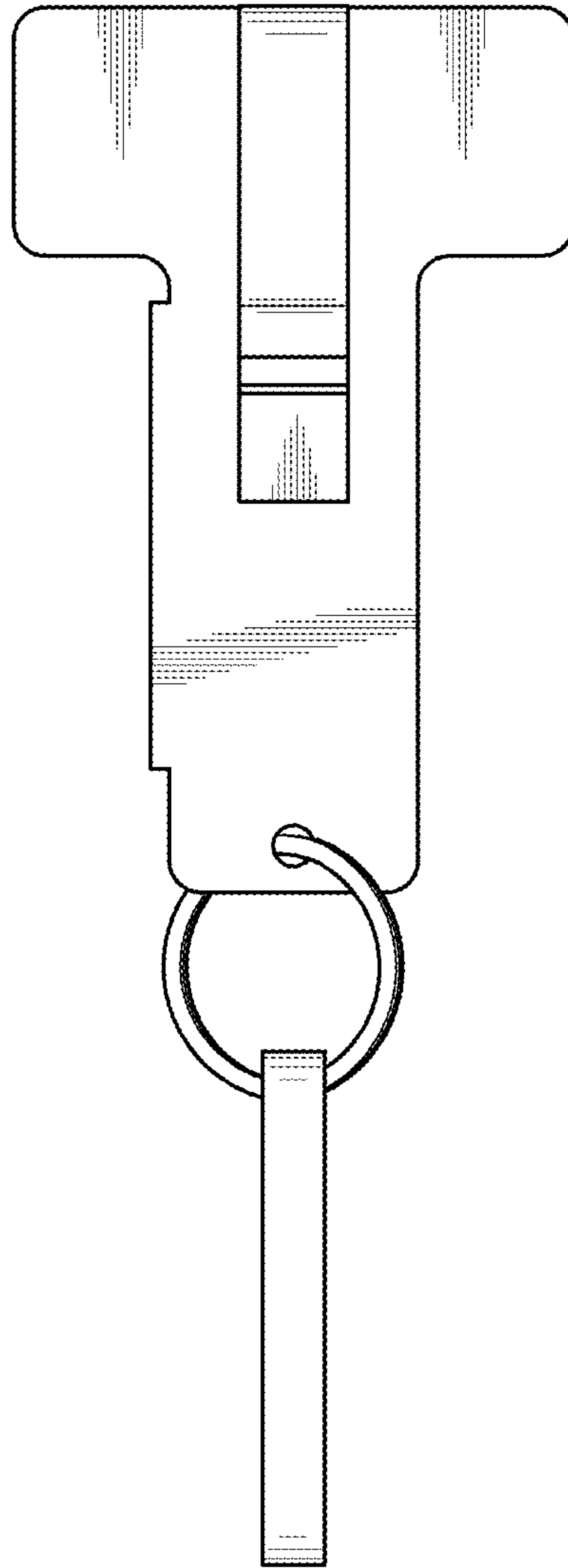


FIG. 7



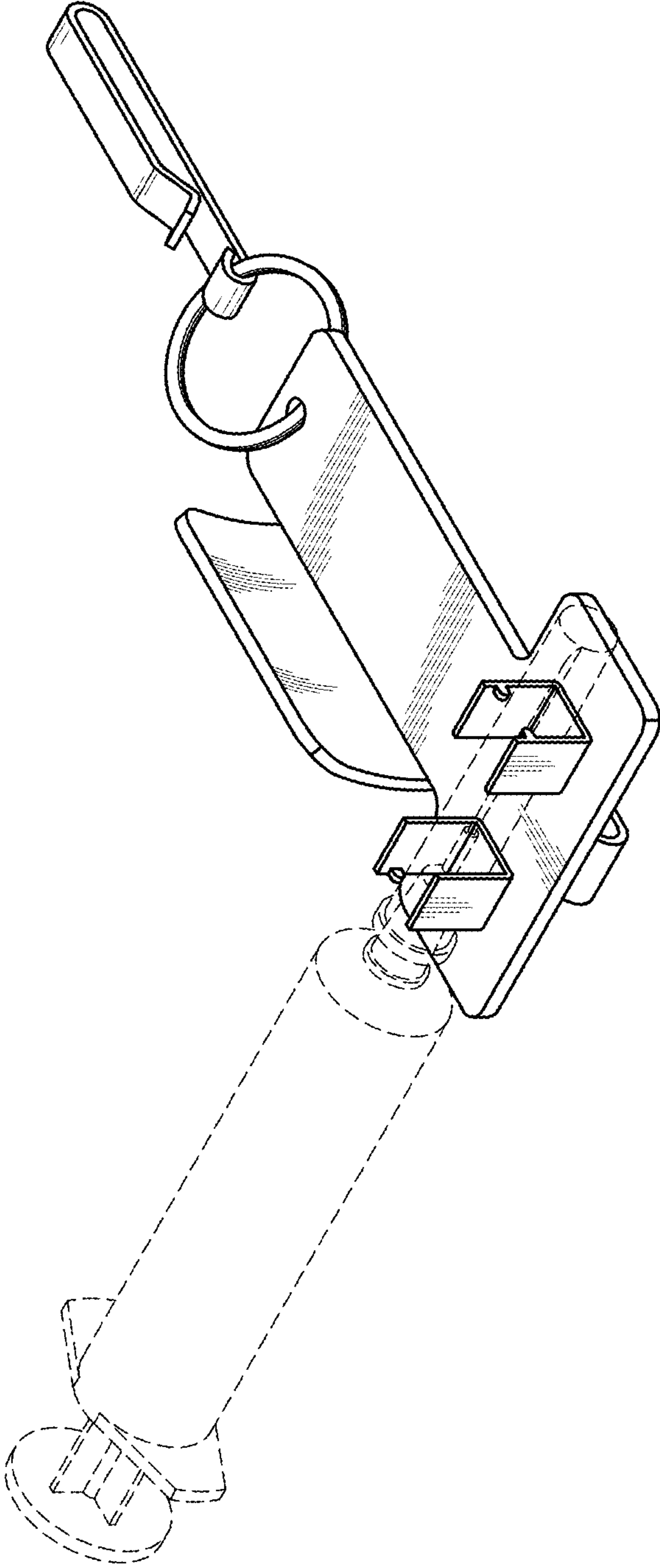


FIG. 8