



US00D983355S

(12) **United States Design Patent**
Wu

(10) **Patent No.:** **US D983,355 S**
(45) **Date of Patent:** **** Apr. 11, 2023**

(54) **RESPIRATION DEVICE**
(71) Applicant: **Tecmen Electronics Co., Ltd., Jiangsu (CN)**
(72) Inventor: **Ziqian Wu, Nanjing (CN)**
(73) Assignee: **Tecmen Electronics Co., Ltd., Nanjing (CN)**
(**) Term: **15 Years**
(21) Appl. No.: **29/797,490**
(22) Filed: **Jun. 30, 2021**

(30) **Foreign Application Priority Data**

Mar. 18, 2021 (CN) 202130146157.6

(51) **LOC (14) Cl.** **29-02**
(52) **U.S. Cl.**
USPC **D24/110**

(58) **Field of Classification Search**
USPC D24/107, 108, 110-115, 117, 121, 127, D24/162, 164, 165, 169, 177, 185, 186; D9/529, 724
CPC ... A62B 5/4809; A62B 5/4818; A62B 5/4815; A62B 7/00; A62B 21/00
See application file for complete search history.

(56) **References Cited**

U.S. PATENT DOCUMENTS

D449,099 S 10/2001 Juhlin et al.
D637,710 S 5/2011 Huh
D646,379 S 10/2011 Huh
D679,801 S * 4/2013 Abel D24/110
D710,493 S 8/2014 Wu
D710,494 S * 8/2014 Wu D24/110
D727,511 S 4/2015 Dehmke et al.
D739,007 S * 9/2015 Kallman D24/110

D756,519 S 5/2016 Adams
D774,180 S 12/2016 Wu
9,744,493 B2 8/2017 Legare et al.
D809,129 S 1/2018 Yang
D809,130 S 1/2018 Yang
D810,274 S * 2/2018 Yang D24/110.4
D820,455 S 6/2018 Milligan et al.
D859,637 S * 9/2019 Thompson D24/110
D883,471 S * 5/2020 Prevot D24/110
D884,149 S * 5/2020 Prevot D24/129
D904,598 S * 12/2020 Prevot D24/129
D954,252 S * 6/2022 Ivory D24/110
D962,640 S * 9/2022 Kato A45C 11/04 D3/265
D966,495 S * 10/2022 Ding D24/110
(Continued)

Primary Examiner — Richard Kearney
Assistant Examiner — Michael Hoffman

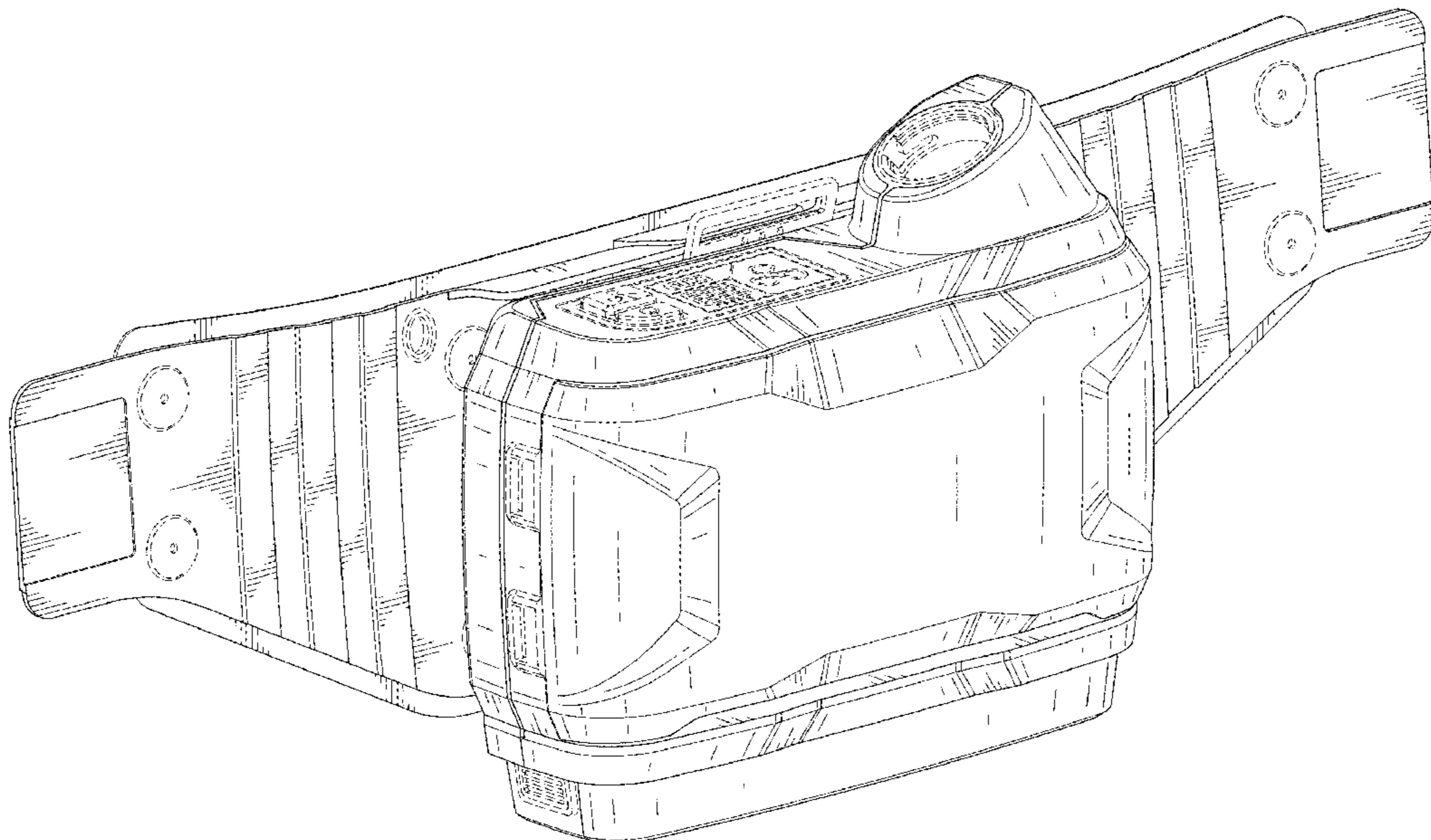
(57) **CLAIM**

The ornamental design for a respiration device, as shown and described.

DESCRIPTION

FIG. 1 is a front perspective view of a respiration device, showing my new design;
FIG. 2 is a front elevation view of the respiration device of FIG. 1;
FIG. 3 is a rear elevation view of the respiration device of FIG. 1;
FIG. 4 is a right side view of the respiration device of FIG. 1;
FIG. 5 is a left side view of the respiration device of FIG. 1;
FIG. 6 is a top view of the respiration device of FIG. 1; and, FIG. 7 is a bottom view of the respiration device of FIG. 1. The broken lines shown in the drawings represent portions of the respiration device that form no part of the claimed design.

1 Claim, 5 Drawing Sheets



(56)

References Cited

U.S. PATENT DOCUMENTS

D968,588 S * 11/2022 Ivory D24/110
2009/0314295 A1 12/2009 Hatmaker
2013/0206139 A1 8/2013 Krepel et al.
2015/0114389 A1 4/2015 Semfält et al.
2016/0001102 A1 1/2016 Huh
2017/0281415 A1 10/2017 Wu
2018/0028846 A1 2/2018 Hur et al.
2018/0337373 A1 11/2018 Wu
2021/0322798 A1* 10/2021 Eleid A62B 23/02

* cited by examiner

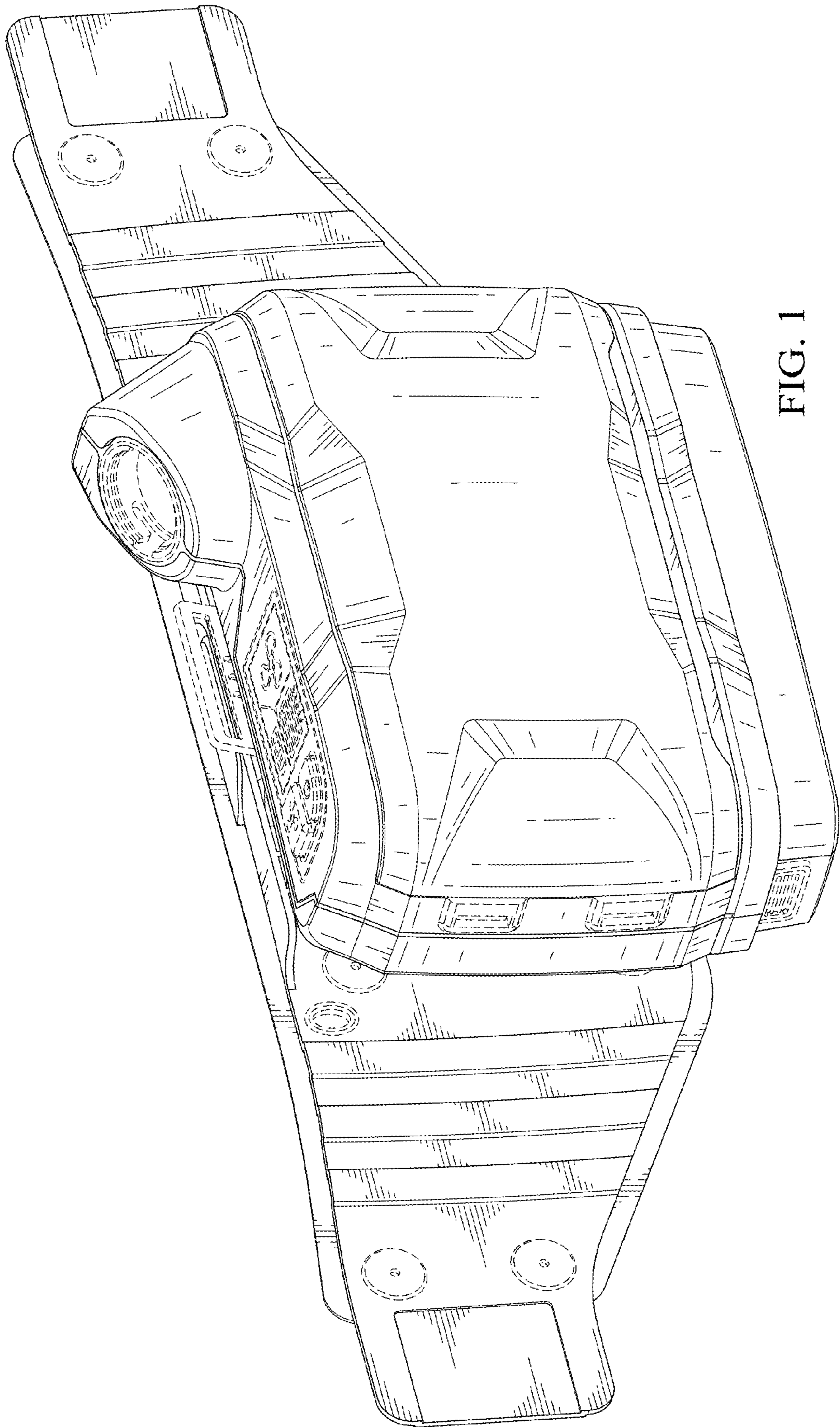


FIG. 1

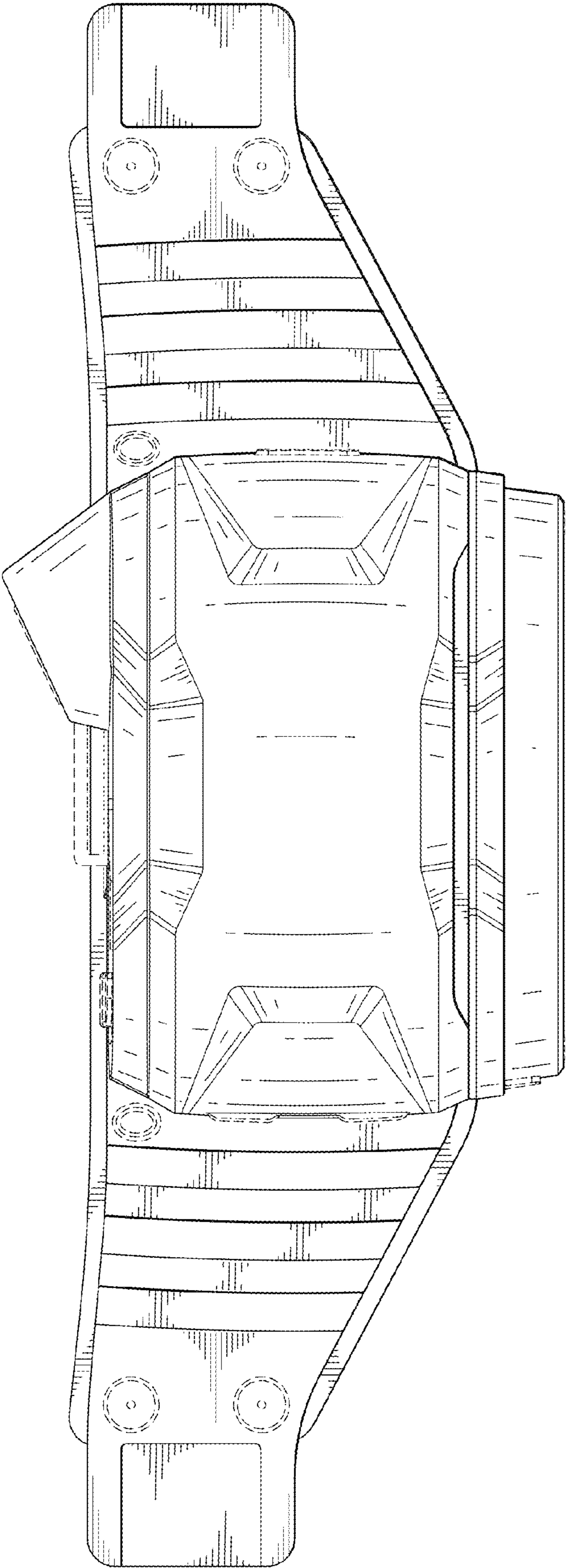


FIG. 2

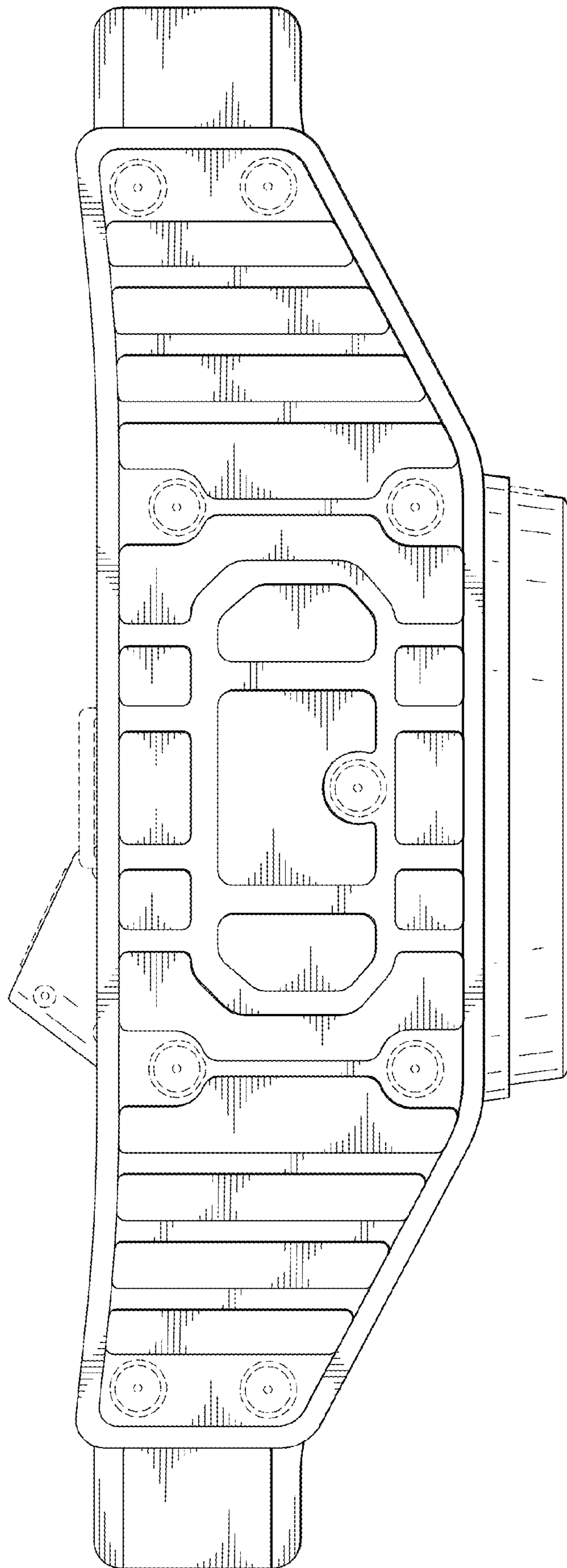


FIG. 3

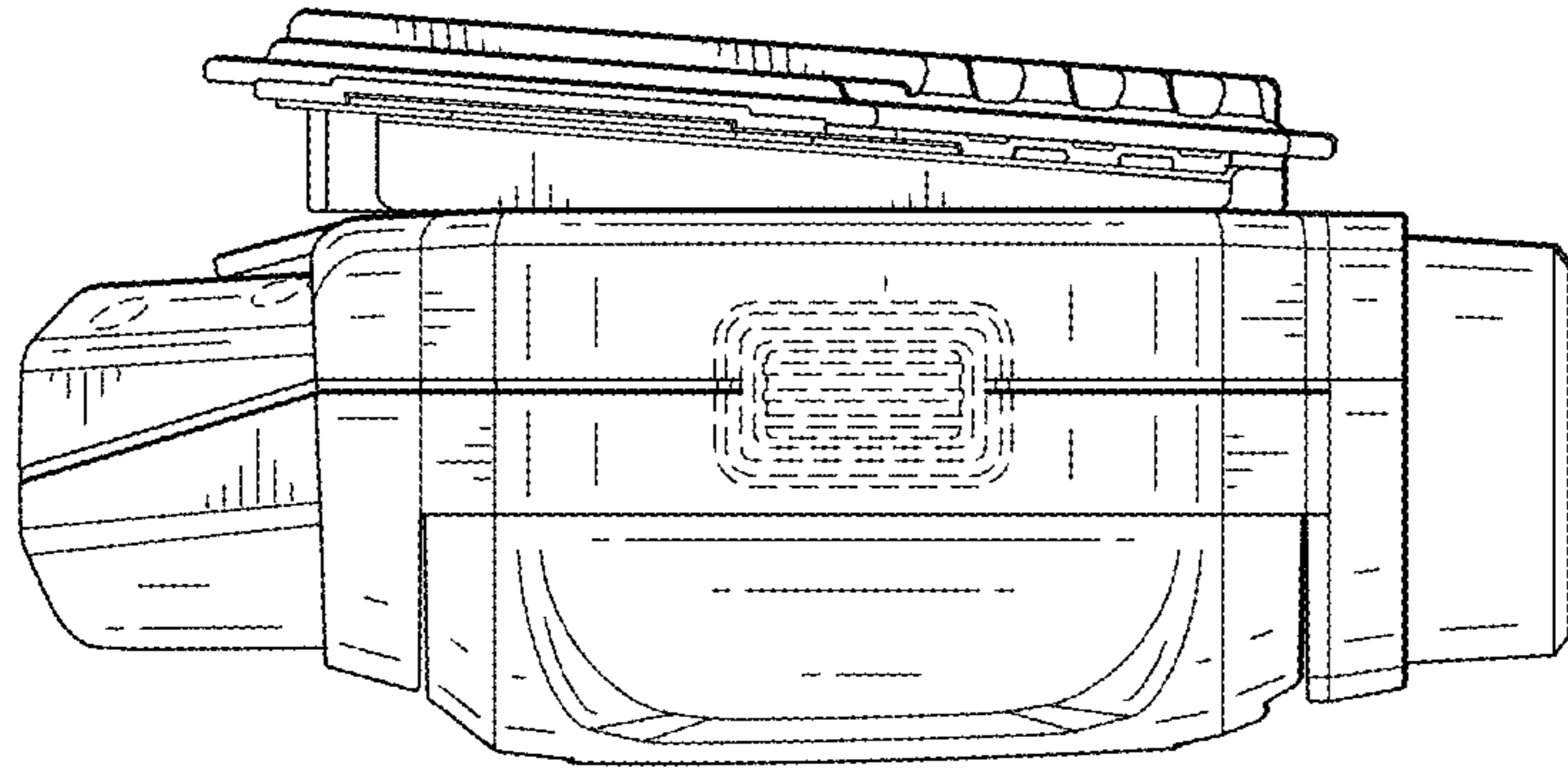


FIG. 5

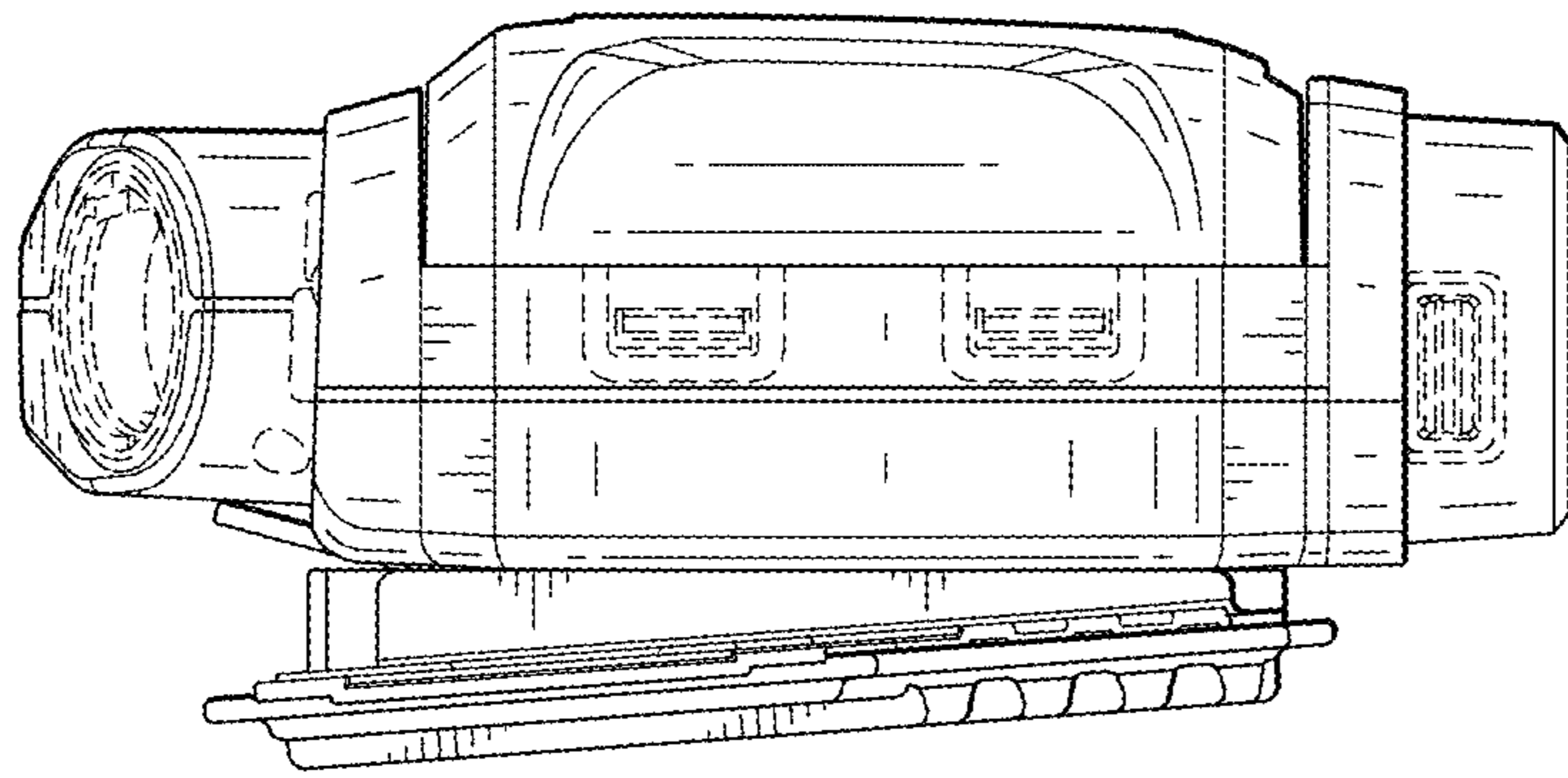


FIG. 4

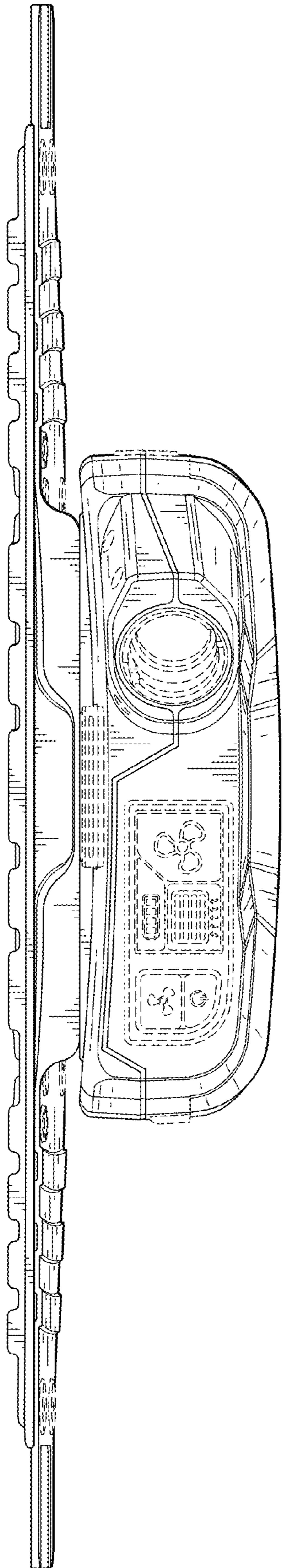


FIG. 6

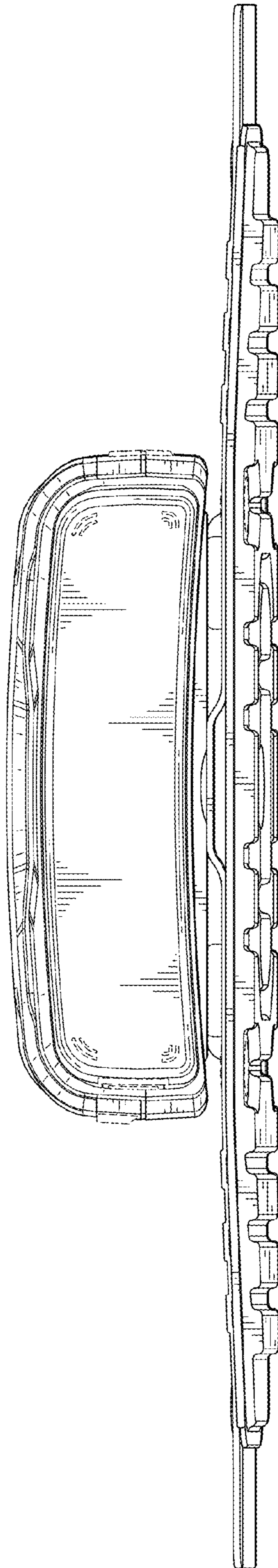


FIG. 7