



US00D983354S

(12) **United States Design Patent**  
**Krieger et al.**

(10) **Patent No.:** **US D983,354 S**  
(45) **Date of Patent:** **\*\* Apr. 11, 2023**

(54) **INHALER**

(71) Applicant: **RPC Formatec GmbH**, Mellrichstadt (DE)

(72) Inventors: **Johannes Krieger**, Mellrichstadt (DE);  
**Markus Thau**, Mellrichstadt (DE)

(73) Assignee: **RPC Formatec GmbH**, Mellrichstadt (DE)

(\*\*) Term: **15 Years**

(21) Appl. No.: **29/795,532**

(22) Filed: **Jun. 18, 2021**

(30) **Foreign Application Priority Data**

Dec. 21, 2020 (EM) ..... 008354831

(51) **LOC (14) Cl.** ..... **29-02**

(52) **U.S. Cl.**  
USPC ..... **D24/110**

(58) **Field of Classification Search**  
USPC ..... D24/107, 108, 110, 110.5, 127, 164;  
D23/360  
CPC ..... A61M 15/00; A61M 15/0025; A61M  
15/0026; A61M 15/005; A61M 15/0065;  
A61M 15/0071; A61M 15/0091; A61M  
11/00; A61M 11/02; A61M 11/04; A61K  
9/007; A61K 9/0073; A61K 9/0075;  
A61K 9/0078; A61K 9/008  
See application file for complete search history.

(56) **References Cited**

**U.S. PATENT DOCUMENTS**

D452,910 S \* 1/2002 Braithwaite ..... D24/110  
D477,665 S \* 7/2003 Myrman ..... D24/110  
D499,802 S \* 12/2004 Pinon ..... D24/110  
7,252,087 B2 8/2007 Wachtel  
7,870,856 B2 1/2011 Boeck  
D659,236 S \* 5/2012 Bobjer ..... D24/110

(Continued)

**FOREIGN PATENT DOCUMENTS**

AU 2015 221 812 B2 12/2019  
CN 103237570 A 8/2013

(Continued)

*Primary Examiner* — Richard Kearney

*Assistant Examiner* — Michael Hoffman

(74) *Attorney, Agent, or Firm* — Collard & Roe, P.C.

(57) **CLAIM**

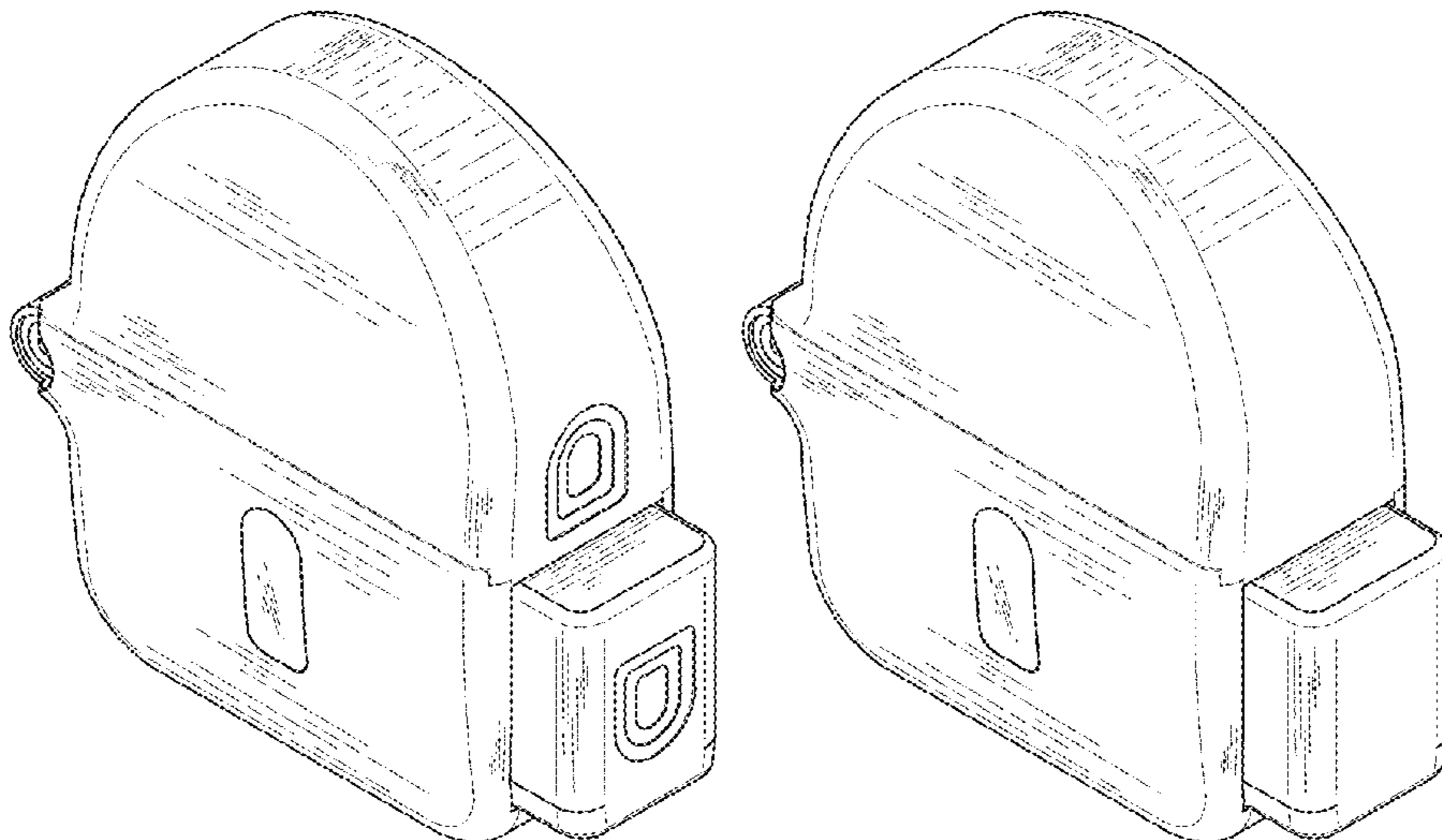
The ornamental design for an inhaler, as shown and described.

**DESCRIPTION**

FIG. 1 is a top, front and left side perspective view of a first embodiment of an inhaler, showing our new design;  
FIG. 2 is a front view thereof;  
FIG. 3 is a left side view thereof;  
FIG. 4 is a rear view thereof;  
FIG. 5 is a right side view thereof;  
FIG. 6 is a top view thereof; and  
FIG. 7 is a bottom view thereof;  
FIG. 8 is a cross-sectional view along lines 8-8 of FIG. 3;  
FIG. 9 is a top, front and left side perspective view of a second embodiment of an inhaler showing our new design;  
FIG. 10 is a front view thereof;  
FIG. 11 is a left side view thereof;  
FIG. 12 is a rear view thereof;  
FIG. 13 is a right side view thereof;  
FIG. 14 is a top view thereof; and  
FIG. 15 is a bottom view thereof; and  
FIG. 16 is a cross-sectional view along lines 16-16 of FIG. 11.

The features shown in broken lines depict portions of the inhaler that form no part of the claimed design. The dash-dot horizontal lines in FIGS. 8 and 16 show the boundaries of the cross-sectional views shown.

**1 Claim, 16 Drawing Sheets**



(56)

**References Cited**

U.S. PATENT DOCUMENTS

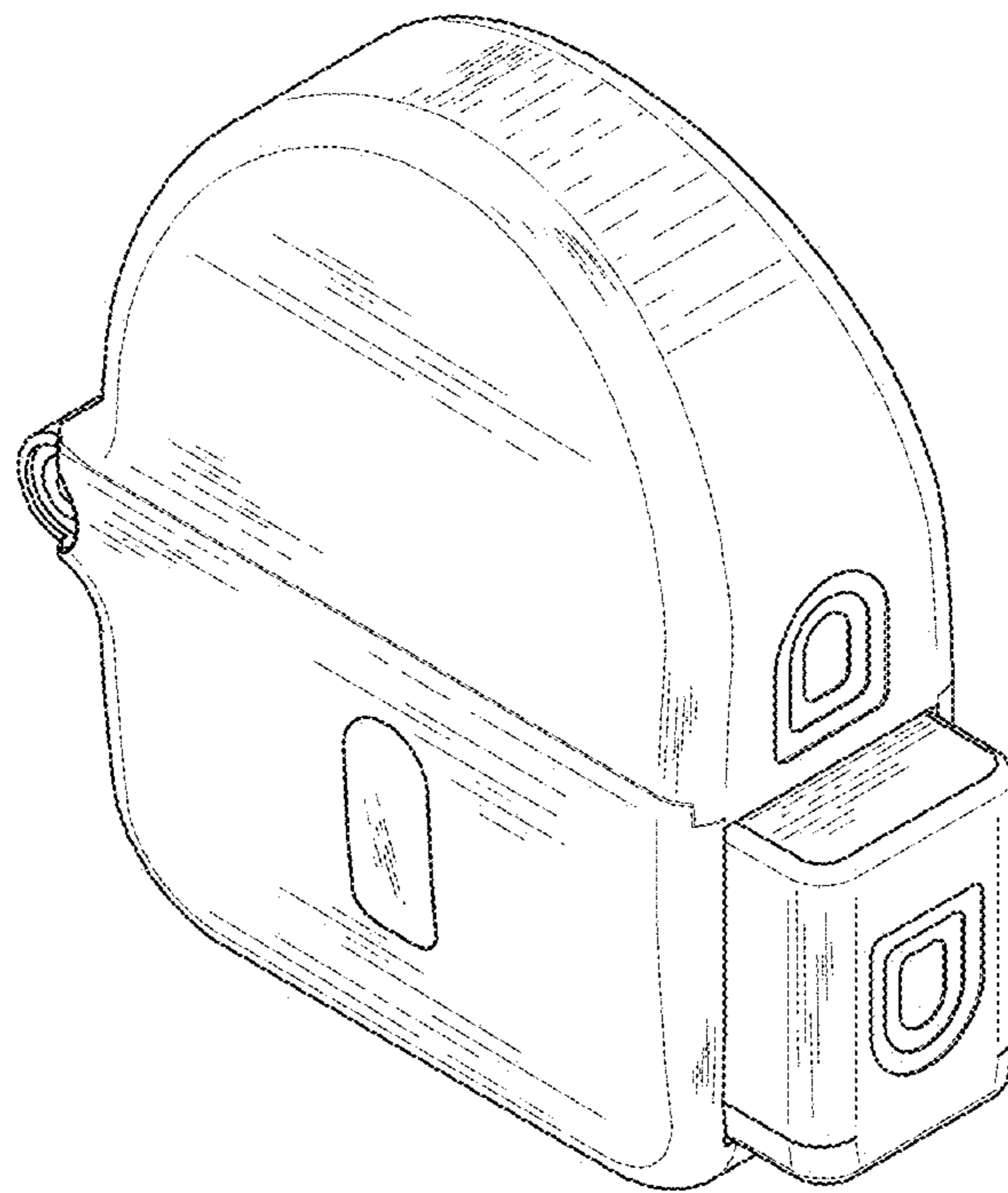
D677,377	S *	3/2013	White .....	D24/110
8,539,946	B2	9/2013	Esteve et al.	
D693,458	S *	11/2013	Wright .....	D24/110
8,746,244	B2	6/2014	Kaemper et al.	
D711,528	S *	8/2014	Grunstad .....	D24/110
9,604,017	B2	3/2017	Hoelz et al.	
10,010,687	B2	7/2018	Von Schuckmann	
10,406,302	B2	9/2019	Andrade et al.	
10,556,069	B2	2/2020	Bhide et al.	
D952,129	S *	5/2022	Lastow .....	D24/110
2005/0183723	A1 *	8/2005	Pinon .....	A61M 15/0065 128/203.15
2010/0192949	A1	8/2010	Wright et al.	
2012/0291782	A1 *	11/2012	Bowman .....	A61M 15/0045 128/203.15
2013/0255679	A1	10/2013	Andrade et al.	
2014/0000601	A1 *	1/2014	Arvidsson .....	A61M 15/0081 128/203.15
2014/0318538	A1	10/2014	Bilgic	
2017/0056608	A1 *	3/2017	McDerment .....	A61M 15/004
2021/0154418	A1 *	5/2021	Trummer .....	A61M 15/003

FOREIGN PATENT DOCUMENTS

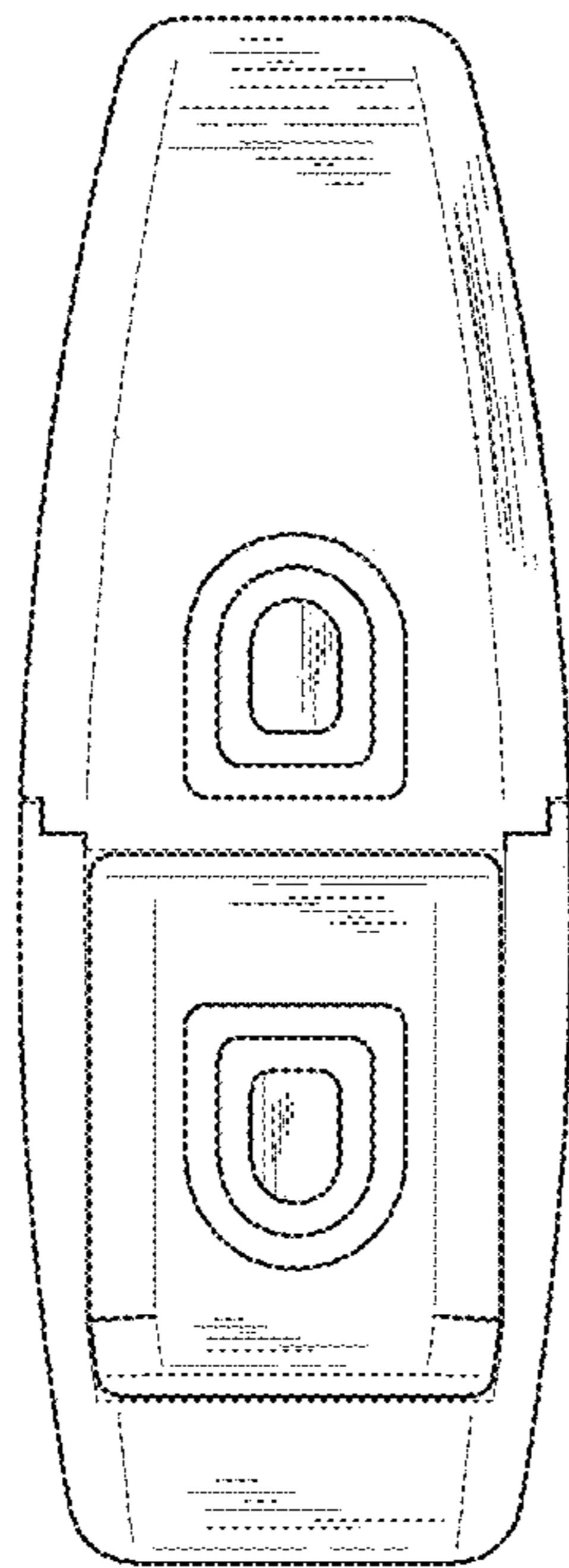
DE	10 2006 010 089	A1	10/2007
DE	10 2005 054 383	B4	10/2013
EP	2 838 594	B1	9/2017
WO	2007116002	A1	10/2007
WO	2011039307	A2	4/2011
WO	2012047182	A2	4/2012
WO	2013156339	A1	10/2013
WO	2015128789	A1	9/2015
WO	2018036836	A1	3/2018

\* cited by examiner

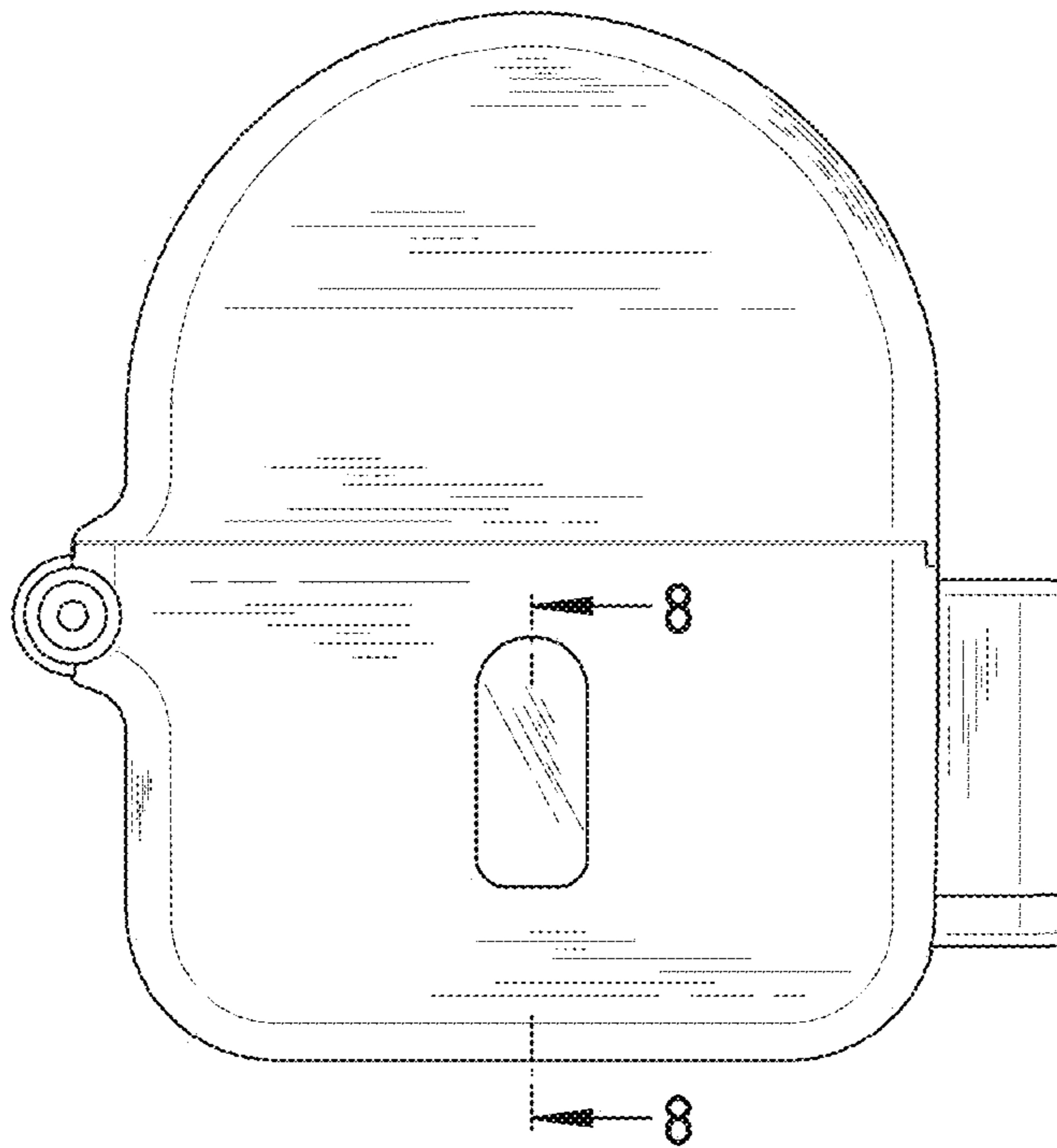
**FIG. 1**



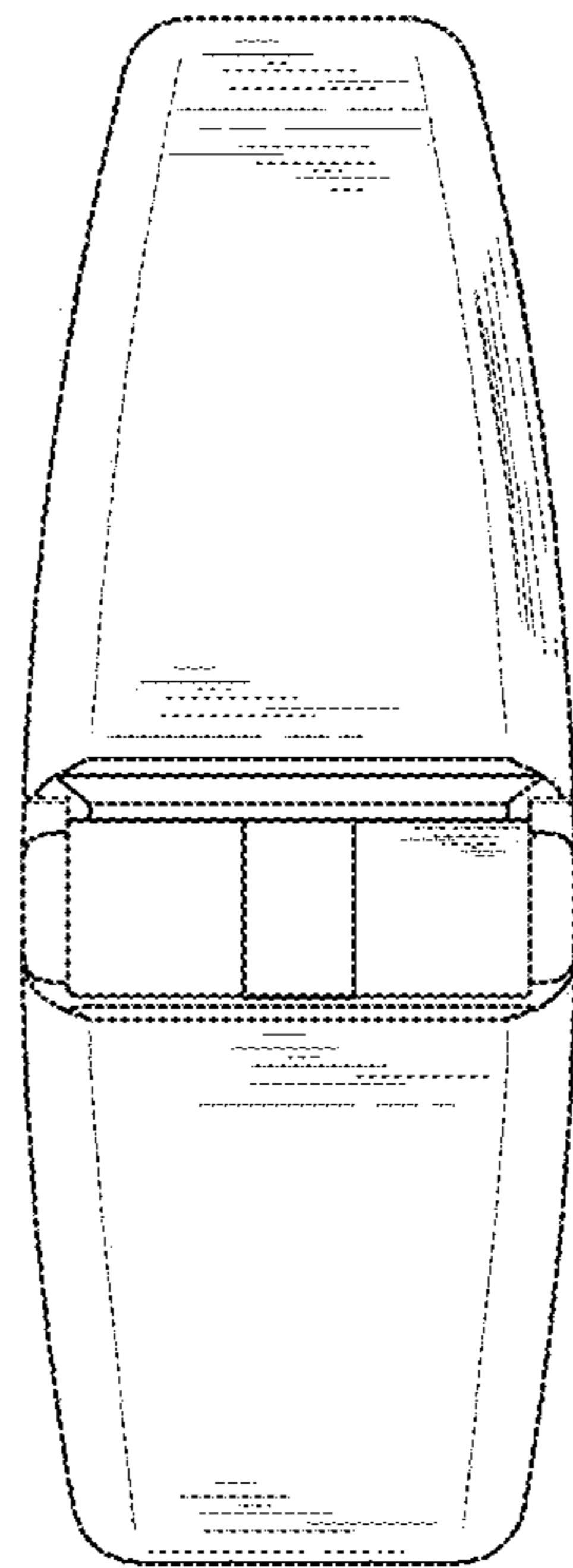
**FIG.2**



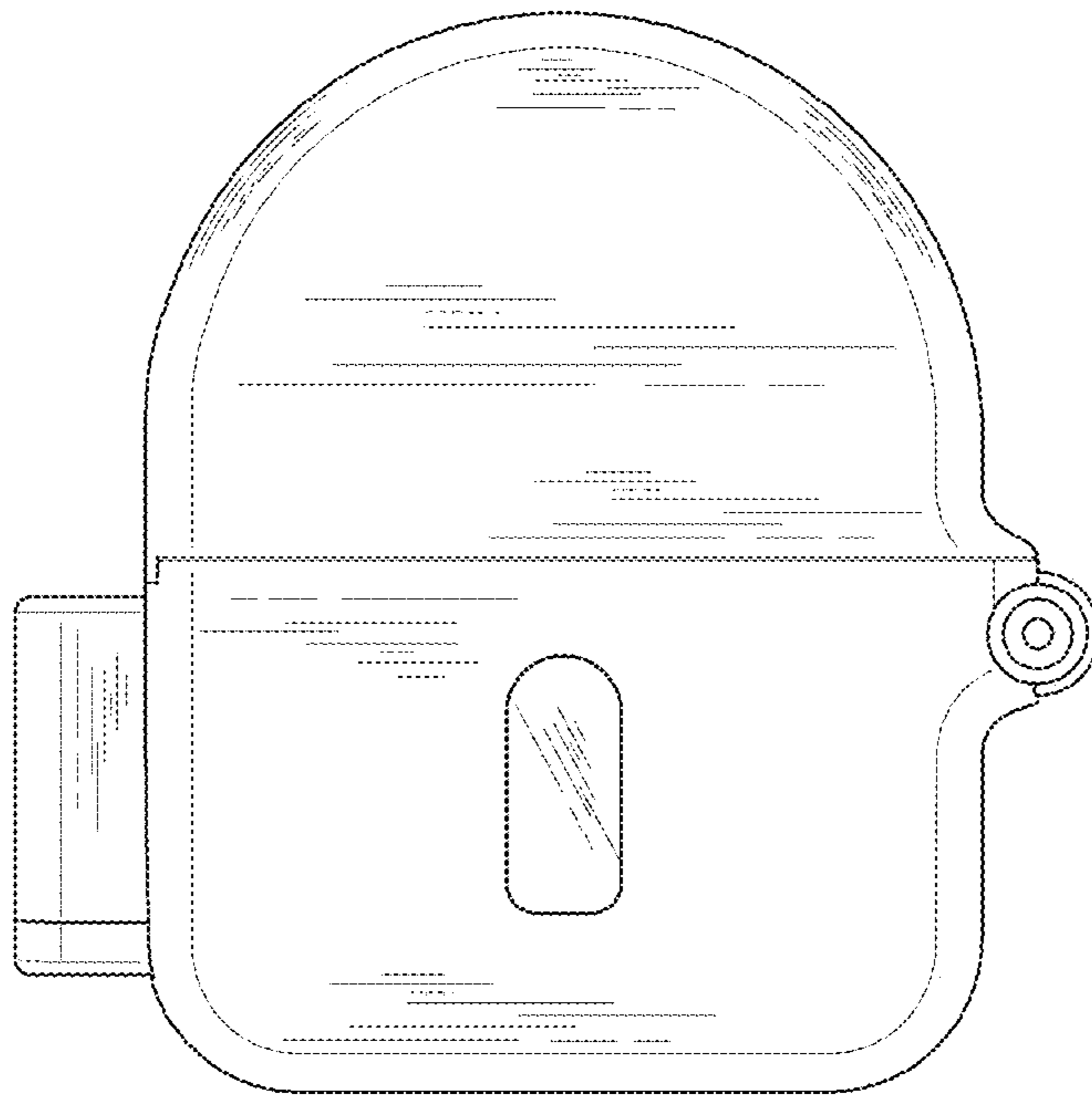
**FIG. 3**



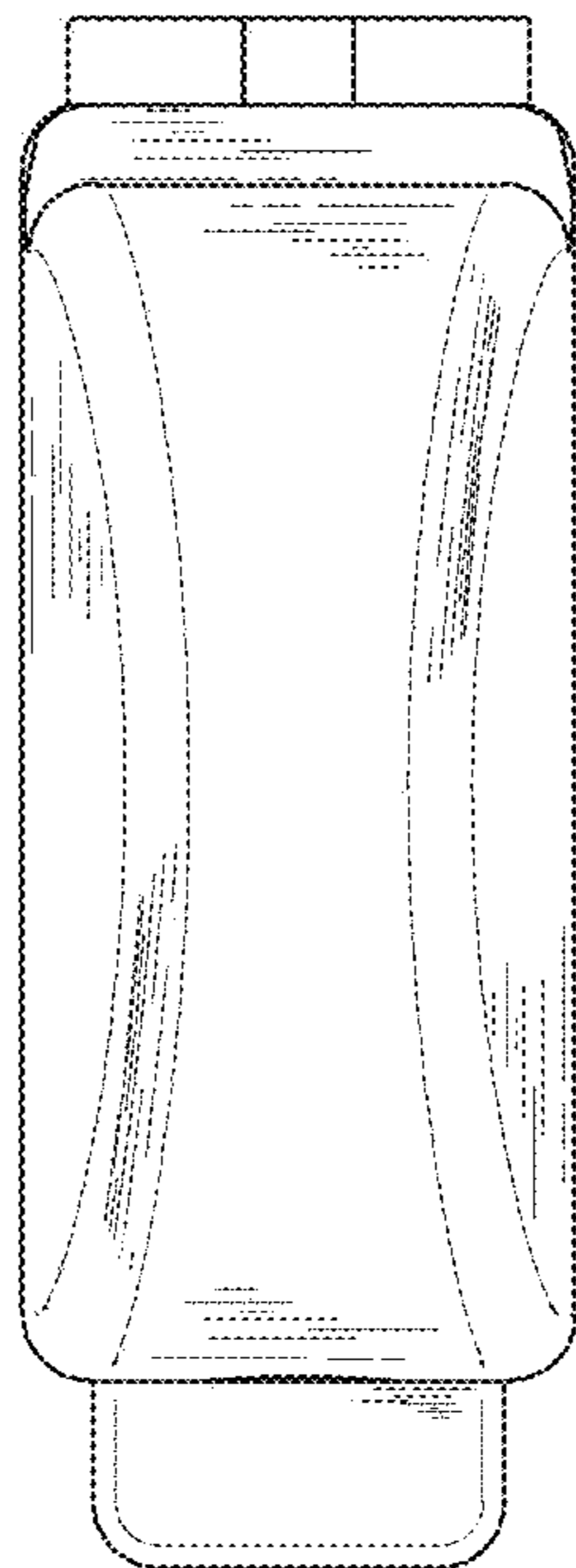
**FIG.4**



**FIG.5**

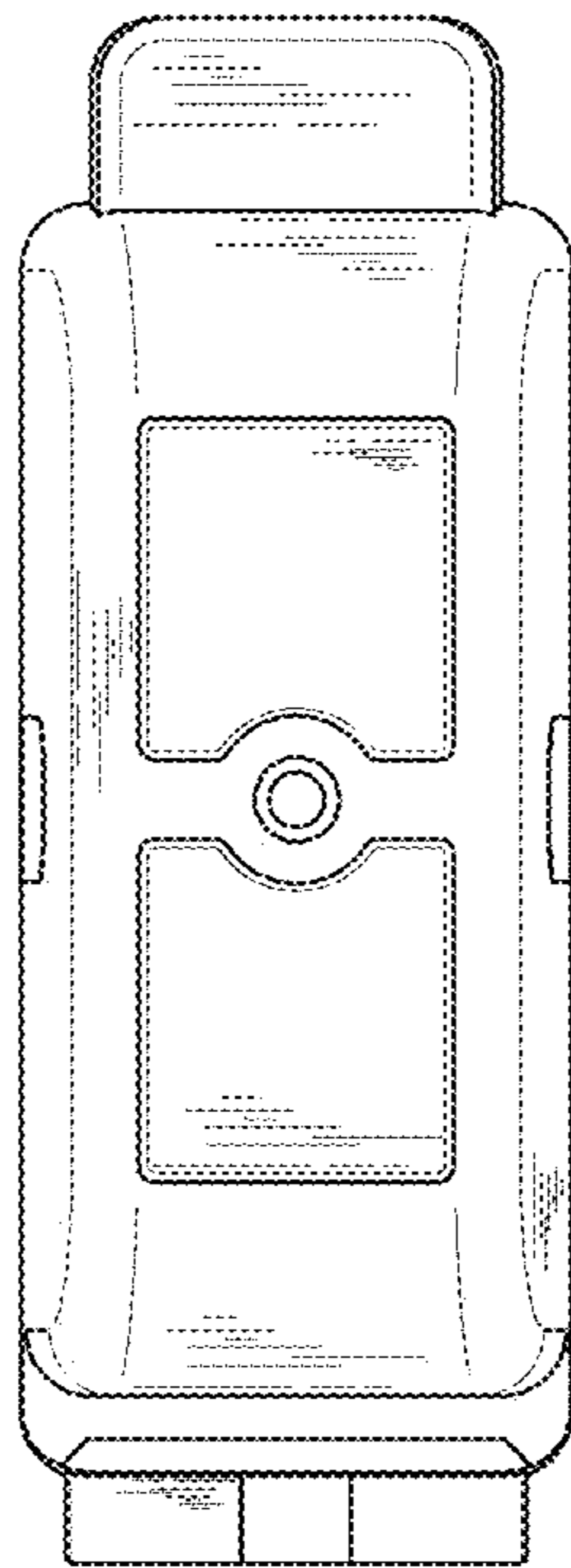


**FIG. 6**

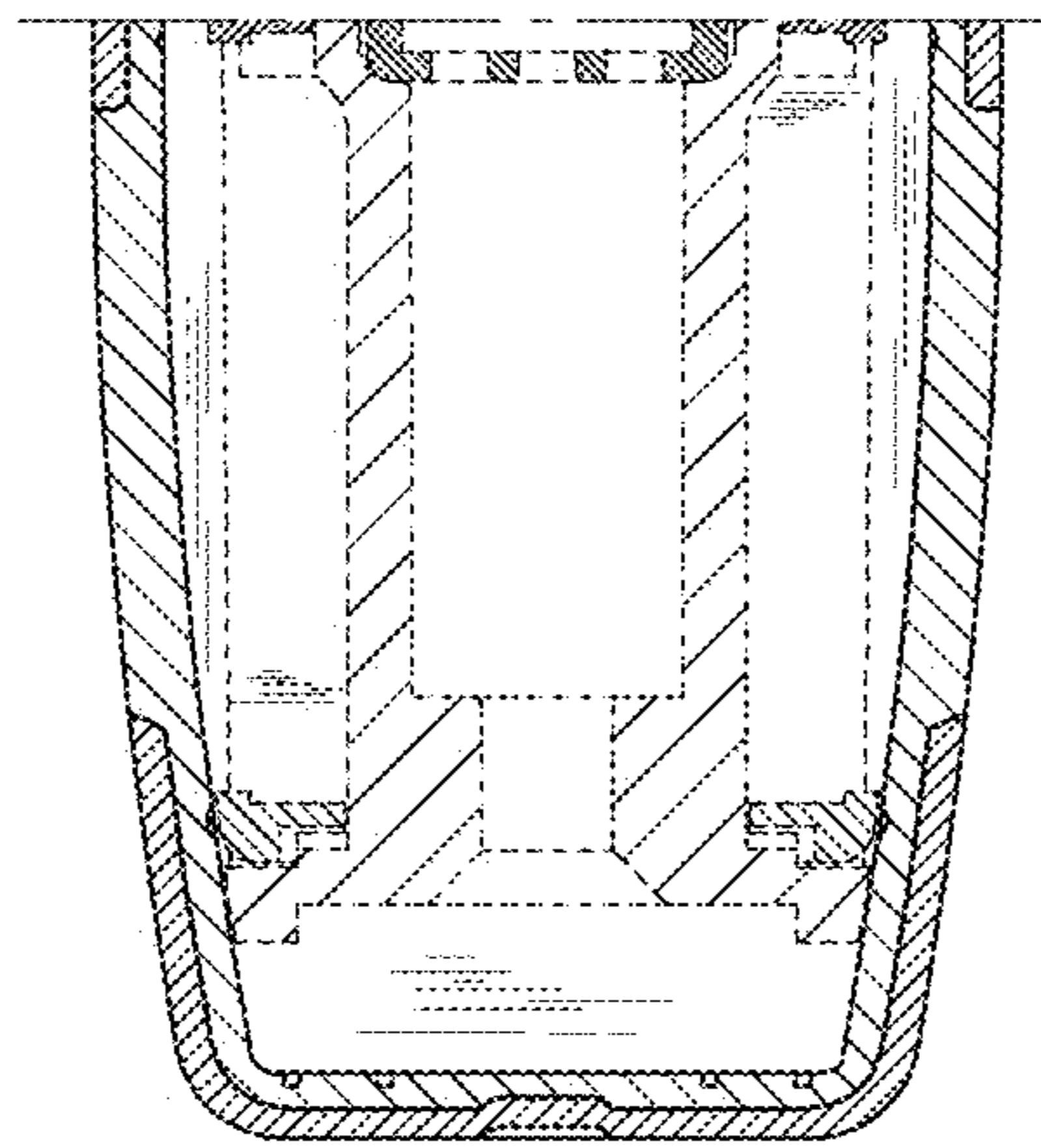




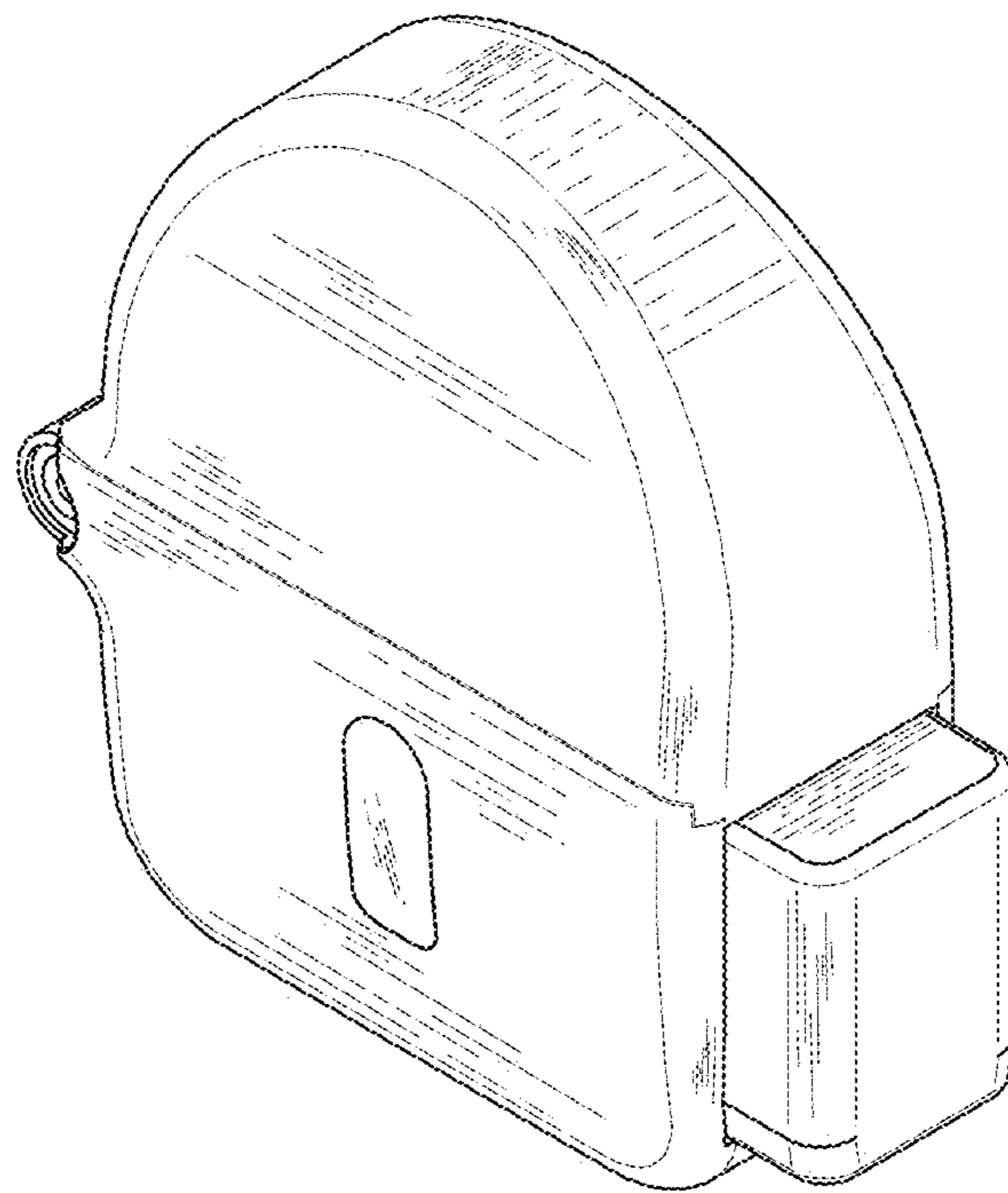
**FIG. 7**



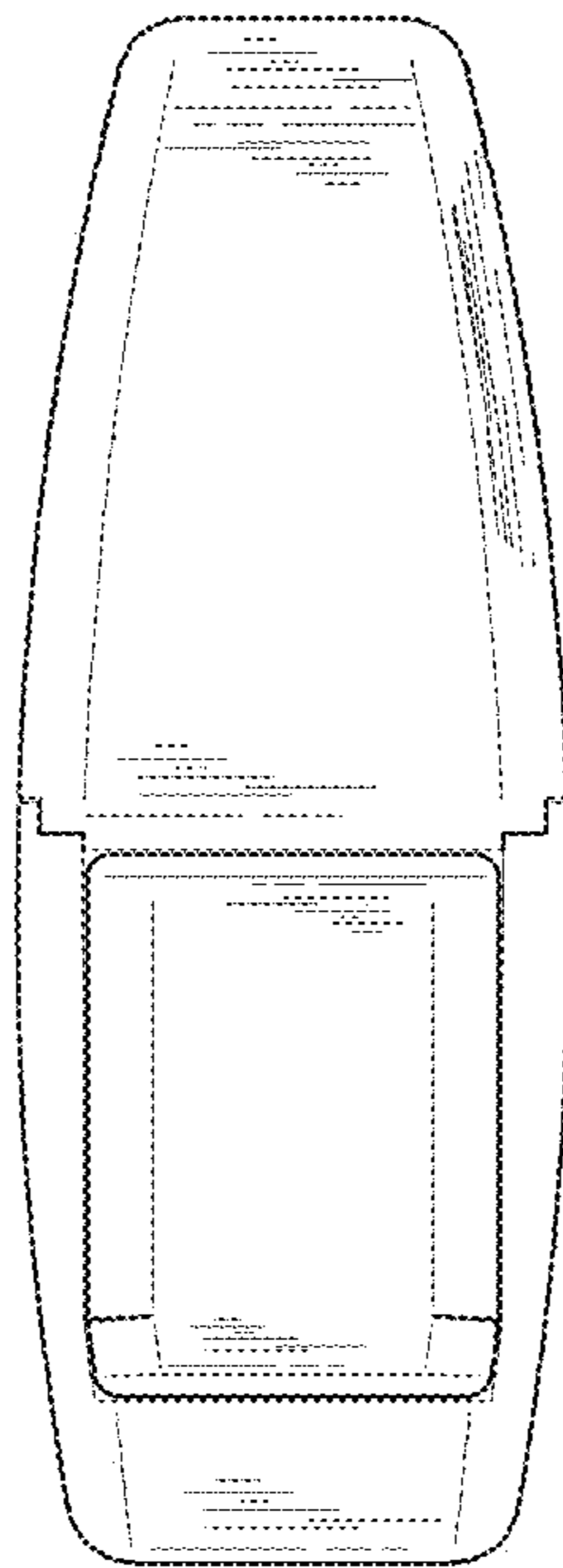
**FIG. 8**



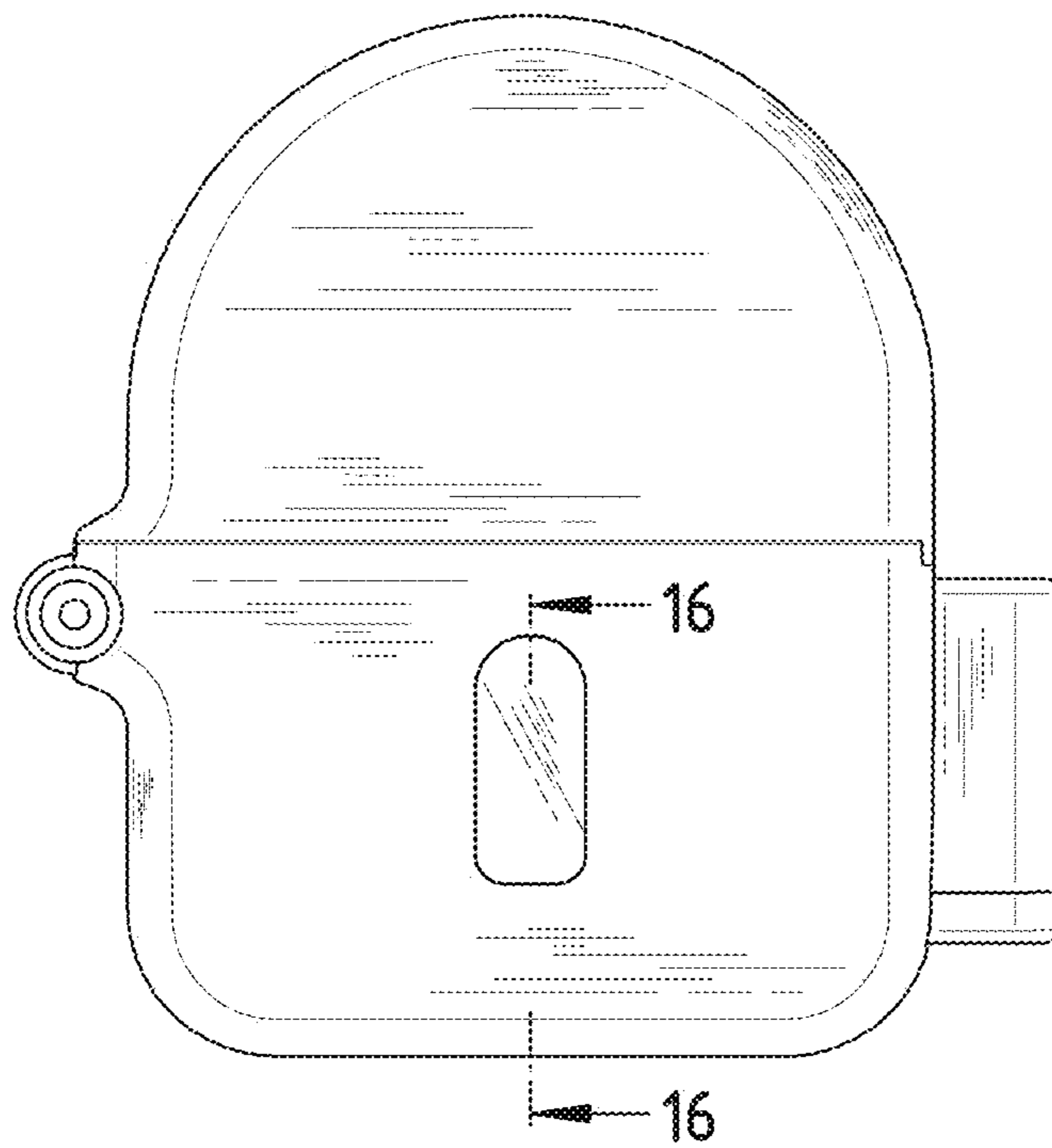
**FIG. 9**



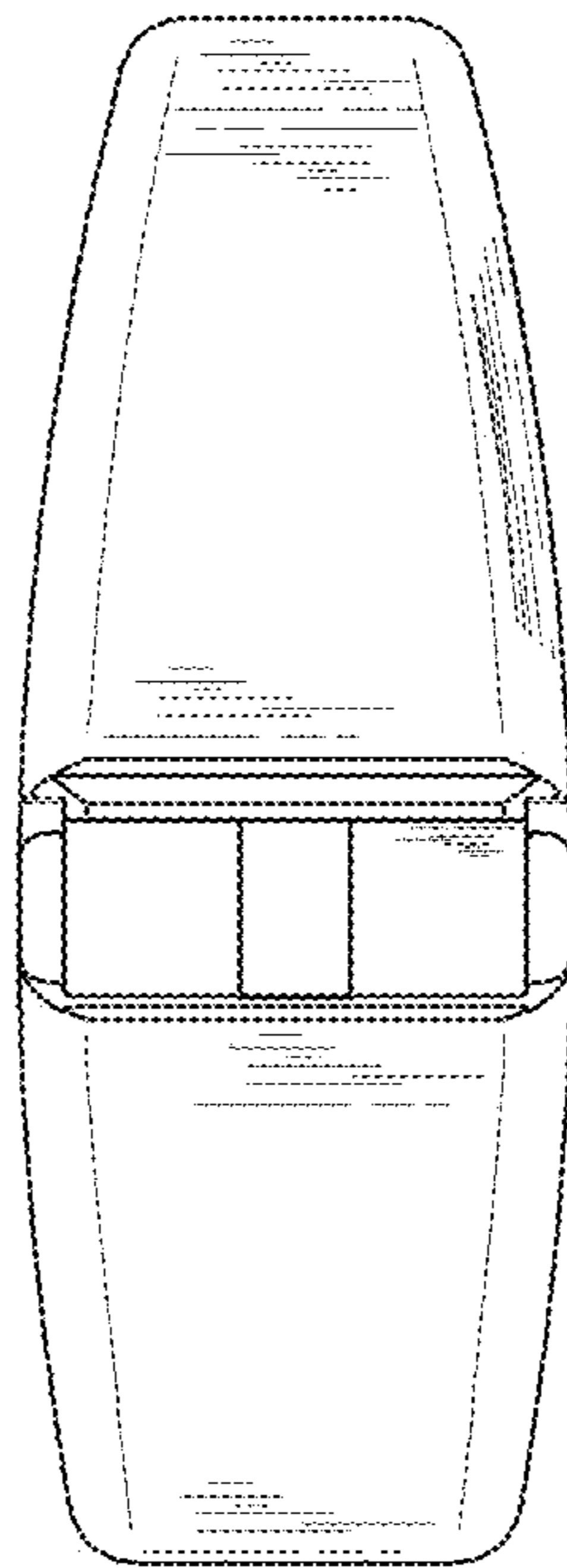
**FIG. 10**



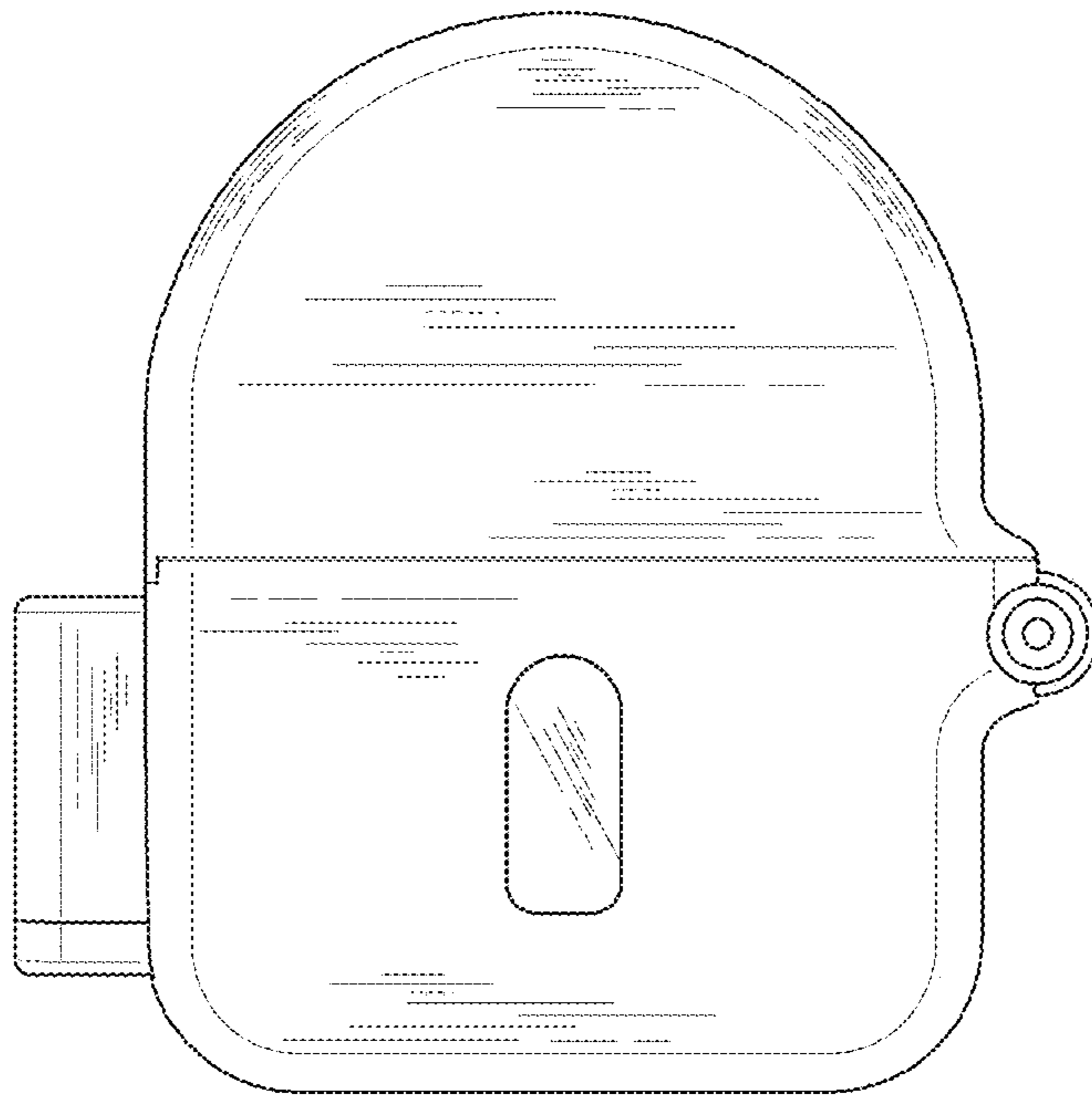
**FIG. 11**



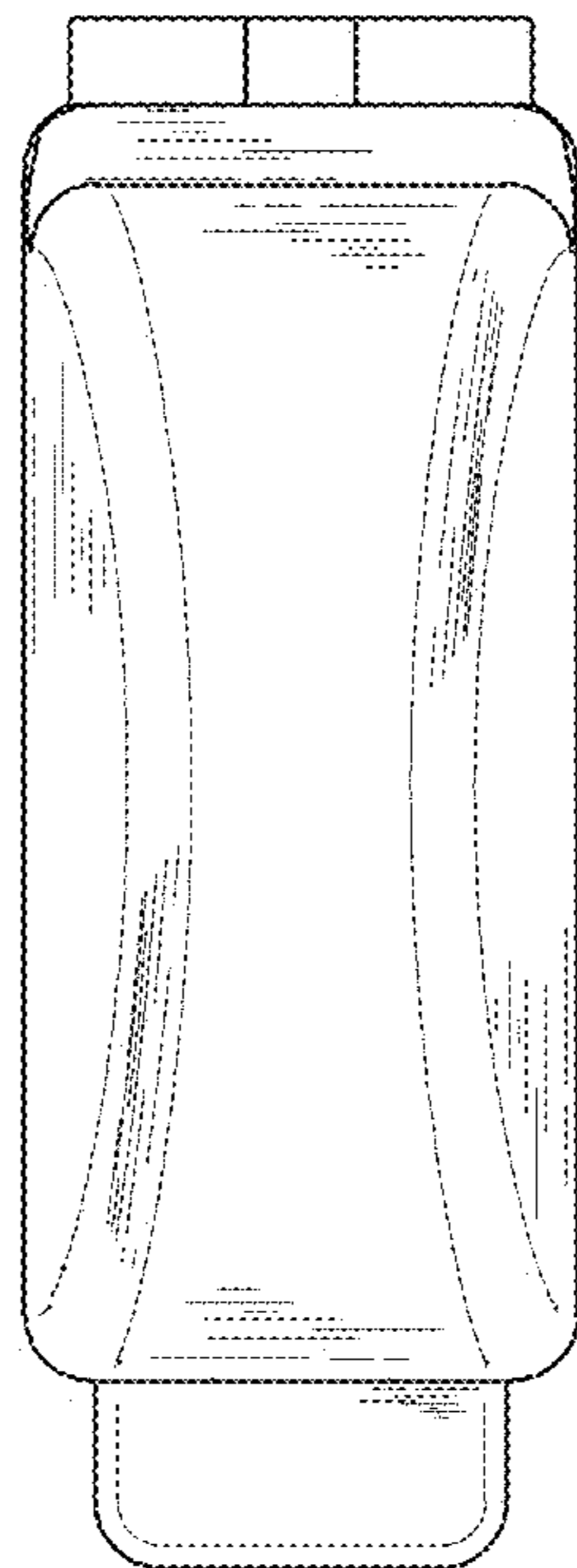
**FIG. 12**



**FIG. 13**

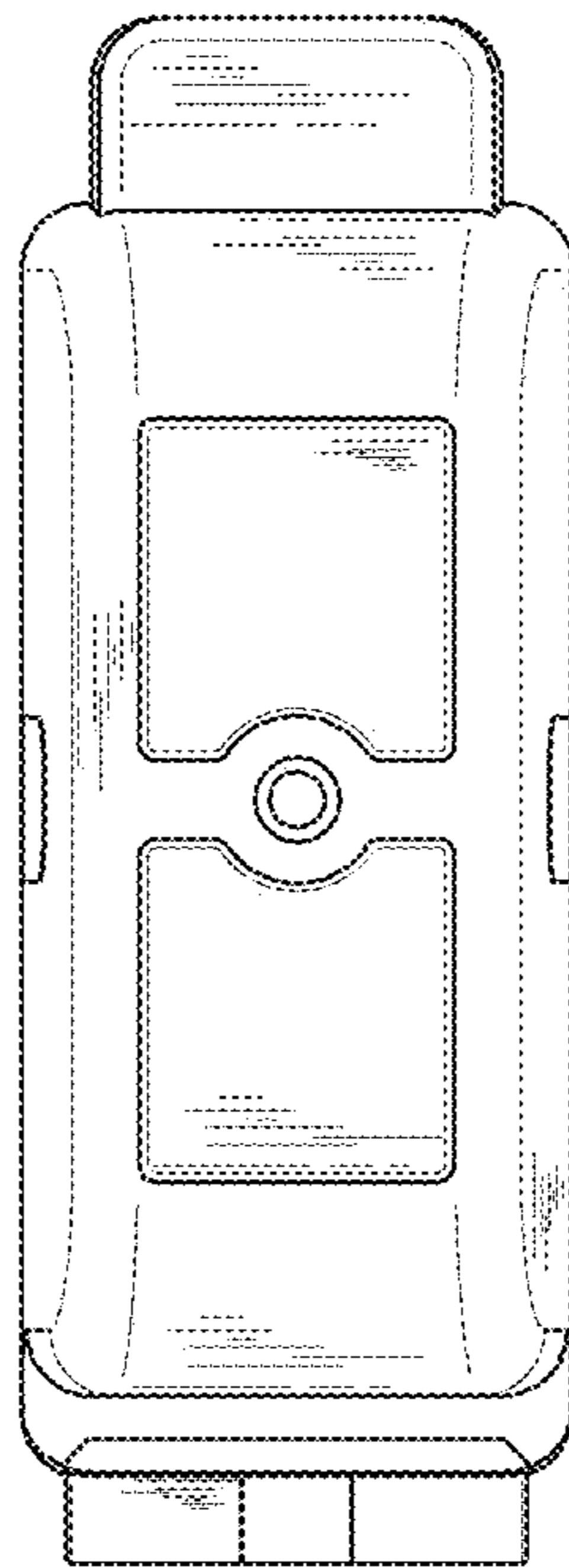


**FIG. 14**





**FIG. 15**



**FIG. 16**

