



US00D983351S

(12) **United States Design Patent** (10) **Patent No.:** **US D983,351 S**
Tanzbro et al. (45) **Date of Patent:** **** Apr. 11, 2023**

(54) **MEDICAL EQUIPMENT**

- (71) Applicant: **Mölnlycke Health Care AB**,
Gothenburg (SE)
- (72) Inventors: **Magnus Carl-Gustaf Tanzbro**,
Alingsås (SE); **Martin Evert Gustaf Hillbratt**,
Lindome (SE); **Ewen Northwood**,
Leeds (GB); **Wang Shien Tan**,
Bayan Lepas (MY); **Iain Robert Mortimer**,
Edinburgh (GB)
- (73) Assignee: **Mölnlycke Health Care AB**,
Gothenburg (SE)

(**) Term: **15 Years**

(21) Appl. No.: **29/780,245**

(22) Filed: **Apr. 23, 2021**

Related U.S. Application Data

- (62) Division of application No. 29/717,626, filed on Dec. 18, 2019, now Pat. No. Des. 921,183, which is a division of application No. 29/619,514, filed on Sep. 29, 2017, now Pat. No. Des. 874,642.

Foreign Application Priority Data

- Apr. 3, 2017 (EM) 003838036
- (51) **LOC (14) Cl.** **24-01**
- (52) **U.S. Cl.**
USPC **D24/108**
- (58) **Field of Classification Search**
USPC D24/108, 111, 107, 117, 121, 188
CPC A61M 1/60; A61M 1/64; A61M 1/65;
A61M 1/71; A61M 1/90; A61M
2205/8206; A61M 27/00
See application file for complete search history.

(56) **References Cited**

U.S. PATENT DOCUMENTS

D475,132 S	5/2003	Randolph
D544,092 S	6/2007	Lewis
D581,042 S	11/2008	Randolph et al.
D581,522 S	11/2008	Randolph et al.
D590,934 S	4/2009	Randolph et al.
D593,676 S	6/2009	Locke et al.
D594,114 S	6/2009	Locke et al.
D602,582 S	10/2009	Pidgeon et al.
D602,583 S	10/2009	Pidgeon et al.
D602,584 S	10/2009	Pidgeon et al.
D618,337 S	6/2010	Pratt et al.
D625,801 S	10/2010	Pidgeon et al.

(Continued)

FOREIGN PATENT DOCUMENTS

CN	304567716	4/2018
GB	9003838036-0005	* 4/2017
GB	9003838036-0006	* 4/2017

Primary Examiner — Daniel J Domino

Assistant Examiner — Lee D. Starr

(74) *Attorney, Agent, or Firm* — Ballard Spahr LLP

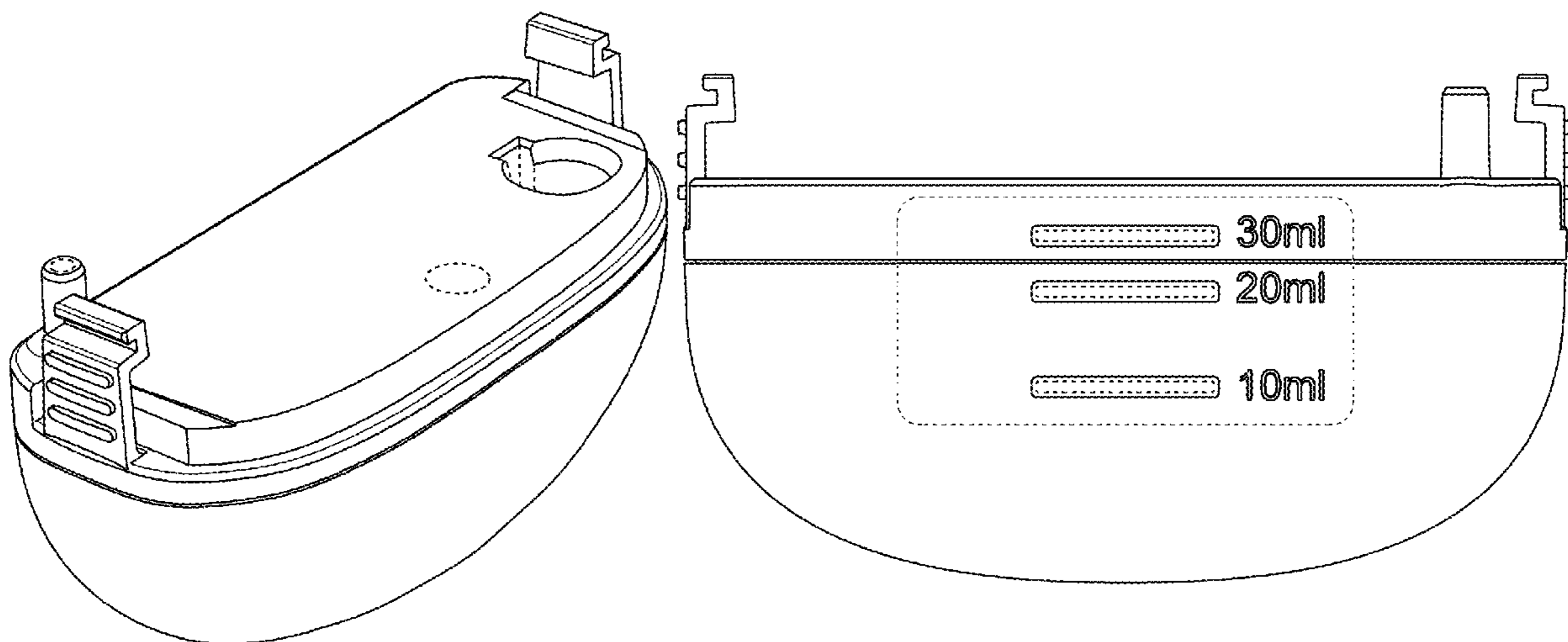
(57) **CLAIM**

The ornamental design for a medical equipment, as shown and described.

DESCRIPTION

FIG. 1 is a perspective view of a medical equipment showing our new design;
 FIG. 2 is a front plan view thereof;
 FIG. 3 is a left side elevational view thereof;
 FIG. 4 is a right side elevational view thereof;
 FIG. 5 is a rear elevational view thereof;
 FIG. 6 is a top plan view thereof; and,
 FIG. 7 is a bottom plan view thereof.
 The broken lines in the drawings depict portions of the medical equipment that form no part of the claimed design.

1 Claim, 6 Drawing Sheets



(56)

References Cited

U.S. PATENT DOCUMENTS

D630,313 S	1/2011	Pidgeon et al.				
D630,725 S	1/2011	Pidgeon et al.				
D642,594 S	8/2011	Mattson et al.				
D645,137 S	9/2011	Gonzalez				
D648,353 S	11/2011	Mattson et al.				
D650,894 S	12/2011	Gonzalez				
D654,095 S	2/2012	Mattson et al.				
D659,717 S	5/2012	Mattson et al.				
8,858,517 B2	10/2014	Pan et al.				
D757,956 S *	5/2016	Brandenburger	D9/547		
D764,047 S	8/2016	Bjelovuk et al.				
D764,048 S	8/2016	Bjelovuk et al.				
D764,653 S	8/2016	Bjelovuk et al.				
D764,654 S	8/2016	Bjelovuk et al.				
D765,830 S	9/2016	Bjelovuk et al.				
D770,173 S	11/2016	Brophy et al.				
D802,744 S	11/2017	Bjelovuk et al.				
D813,374 S	3/2018	Bjelovuk et al.				
D814,016 S	3/2018	Bjelovuk et al.				
D815,726 S	4/2018	Bjelovuk et al.				
D815,727 S	4/2018	Bjelovuk et al.				
					D870,265 S *	12/2019 Bjelovuk D24/108
					D874,642 S	2/2020 Tanzbro
					D921,183 S *	6/2021 Tanzbro D24/108
					2009/0299306 A1	12/2009 Buan
					2012/0302975 A1	11/2012 Buan et al.
					2016/0038626 A1	2/2016 Locke et al.
					2016/0339158 A1	11/2016 Collinson et al.
					2017/0368239 A1	12/2017 Askem et al.
					2018/0304065 A1	10/2018 Armstrong et al.
					2019/0021911 A1	1/2019 Askem et al.
					2019/0201599 A1	7/2019 Chang et al.
					2019/0290496 A1	9/2019 Brownhill
					2019/0290499 A1	9/2019 Askem
					2019/0365968 A1	12/2019 Long
					2020/0061253 A1	2/2020 Long
					2020/0086014 A1	3/2020 Locke
					2020/0107965 A1	4/2020 Greener
					2020/0114050 A1	4/2020 Collinson
					2020/0121510 A1	4/2020 Hartwell
					2020/0121833 A9	4/2020 Askem
					2020/0146894 A1	5/2020 Long
					2021/0386925 A1 *	12/2021 Hartwell A61M 1/96
					2022/0047800 A1 *	2/2022 Johannison A61M 1/98

* cited by examiner

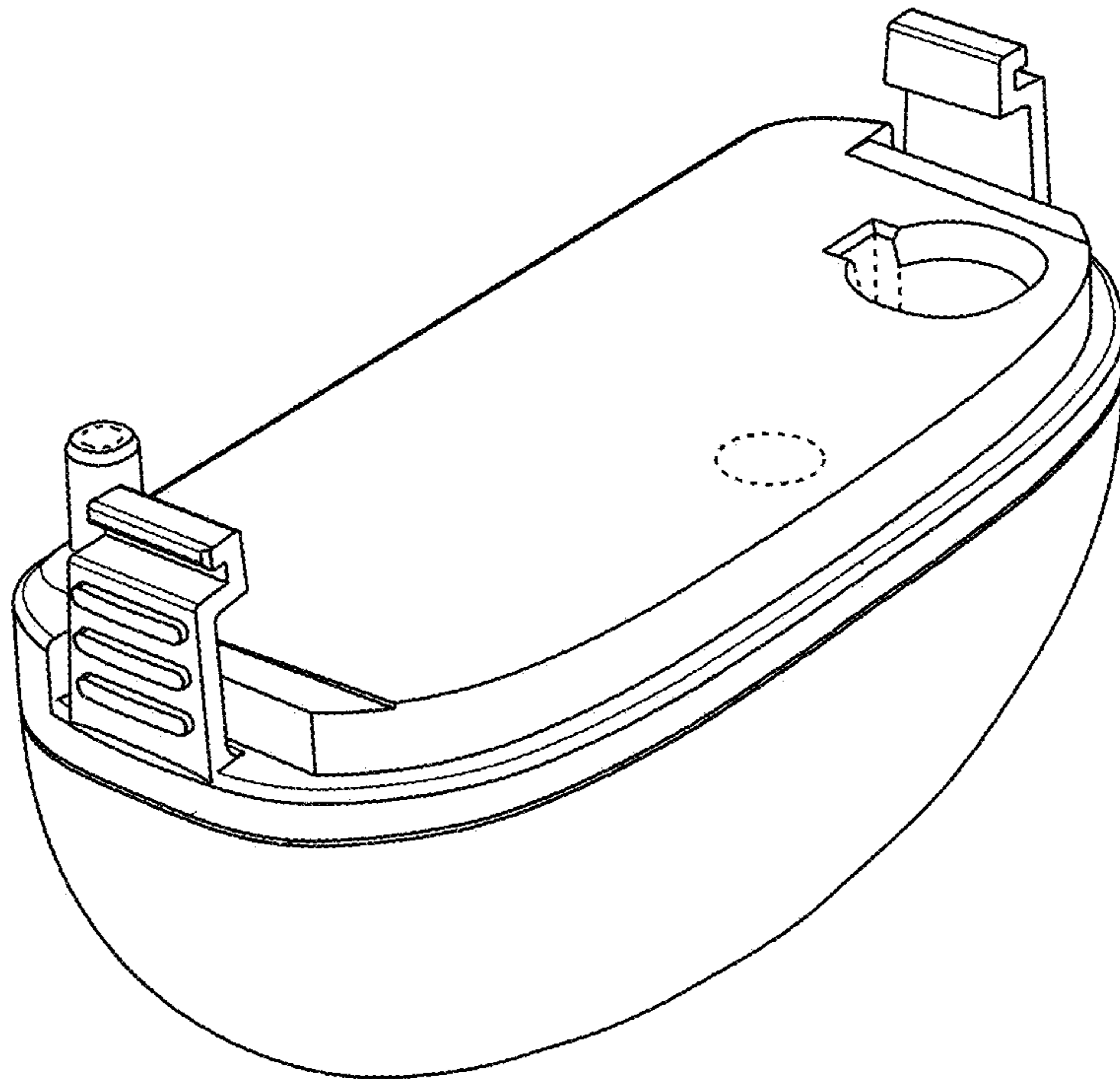


Figure. 1

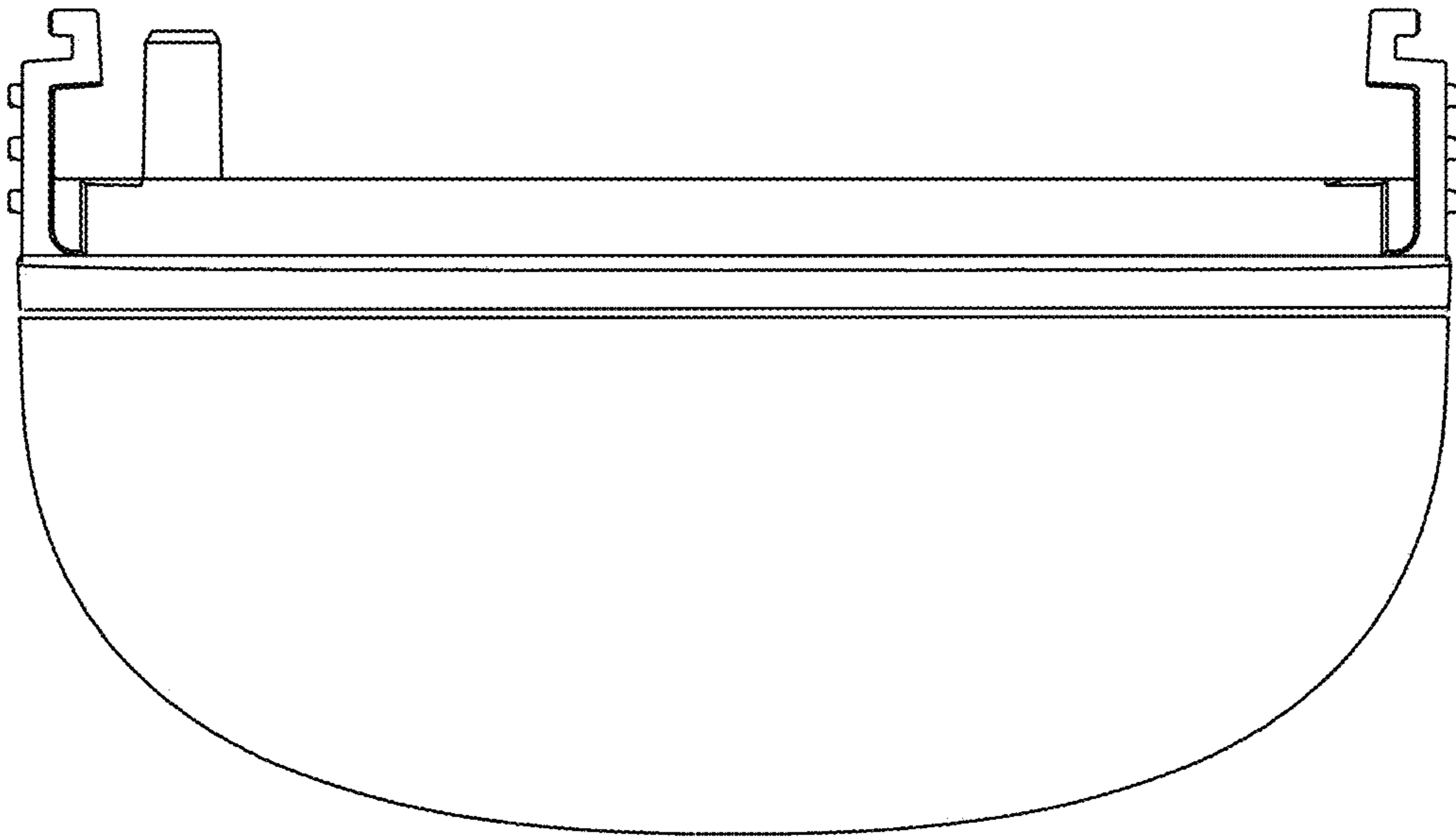


Figure. 2

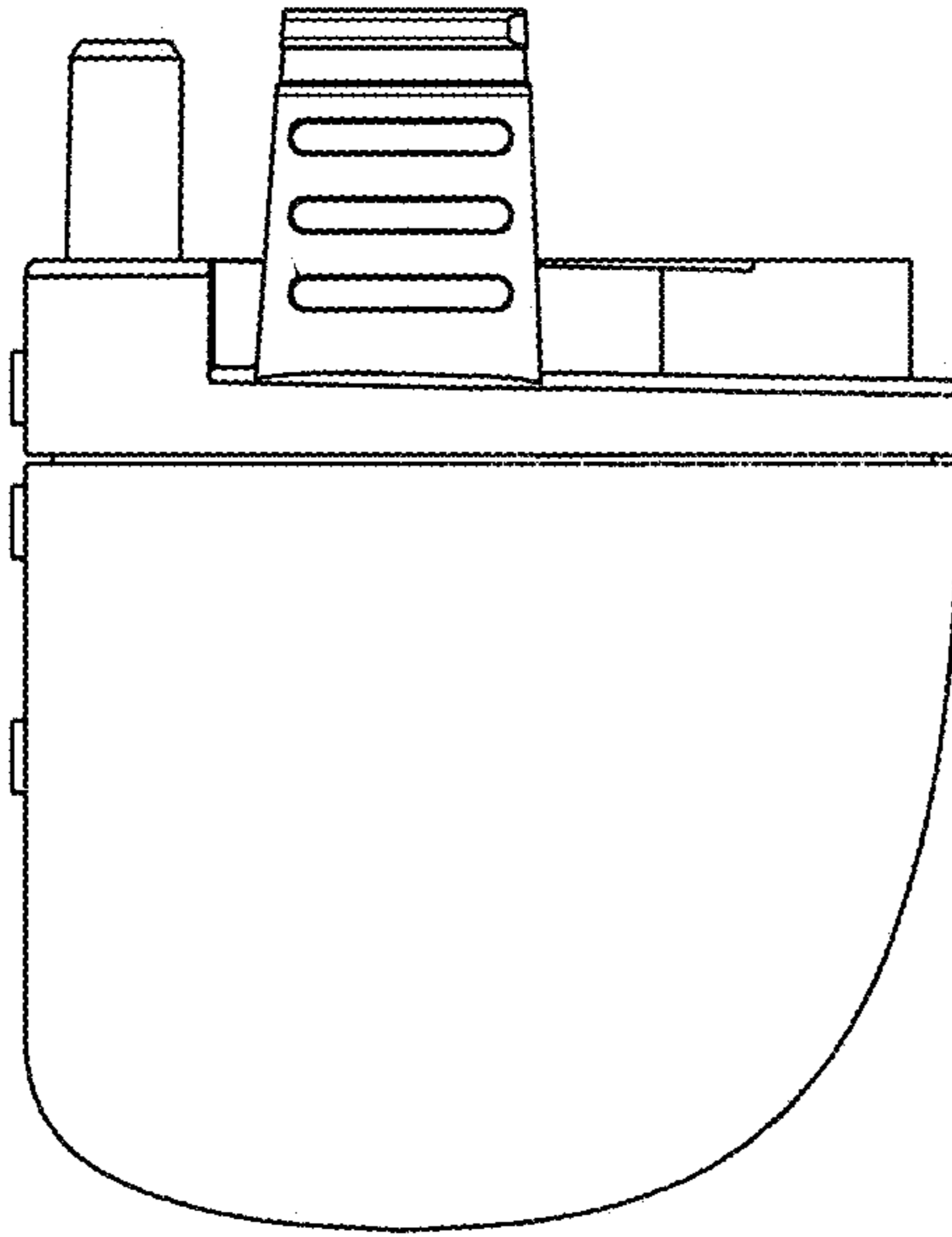


Figure. 3

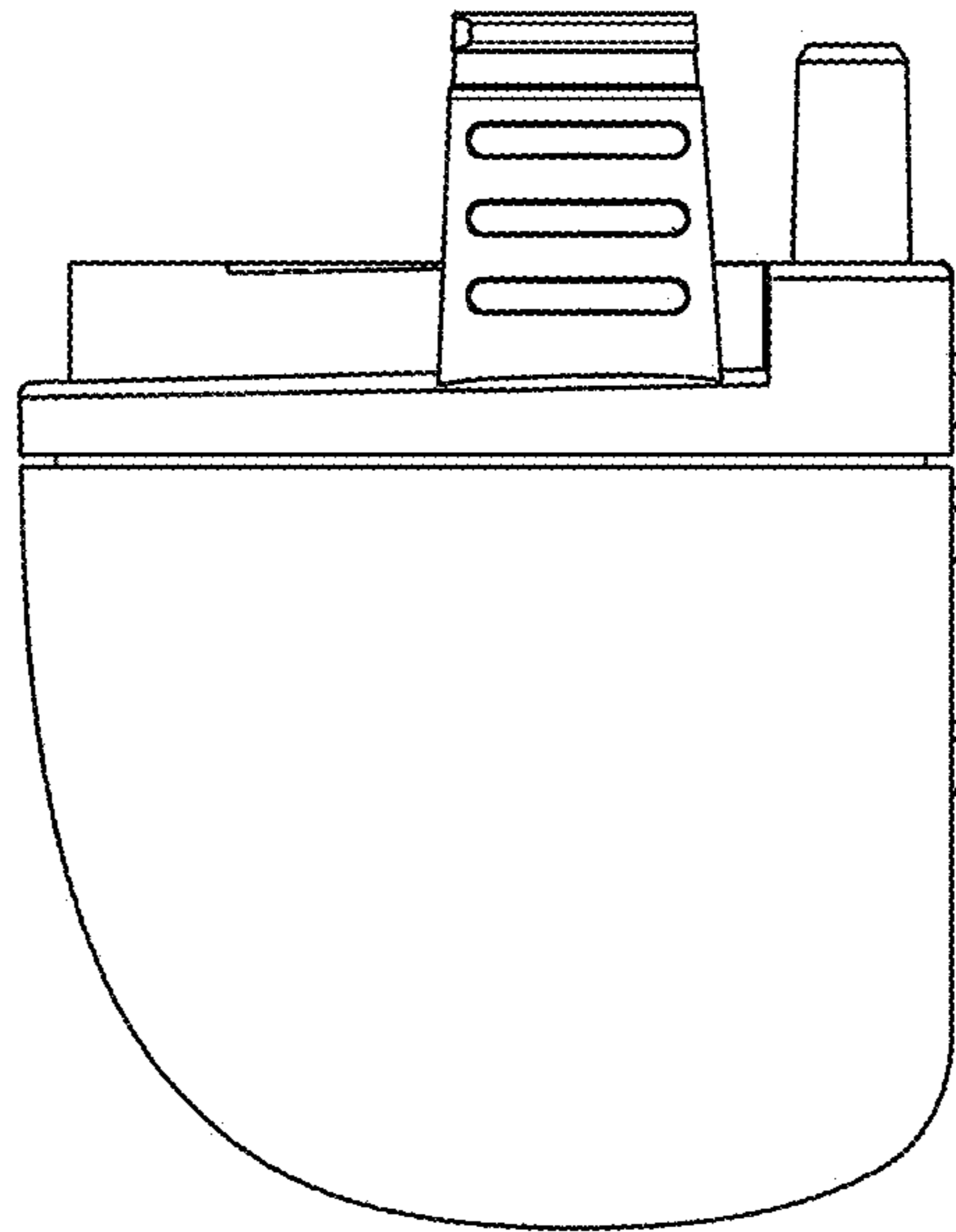


Figure. 4

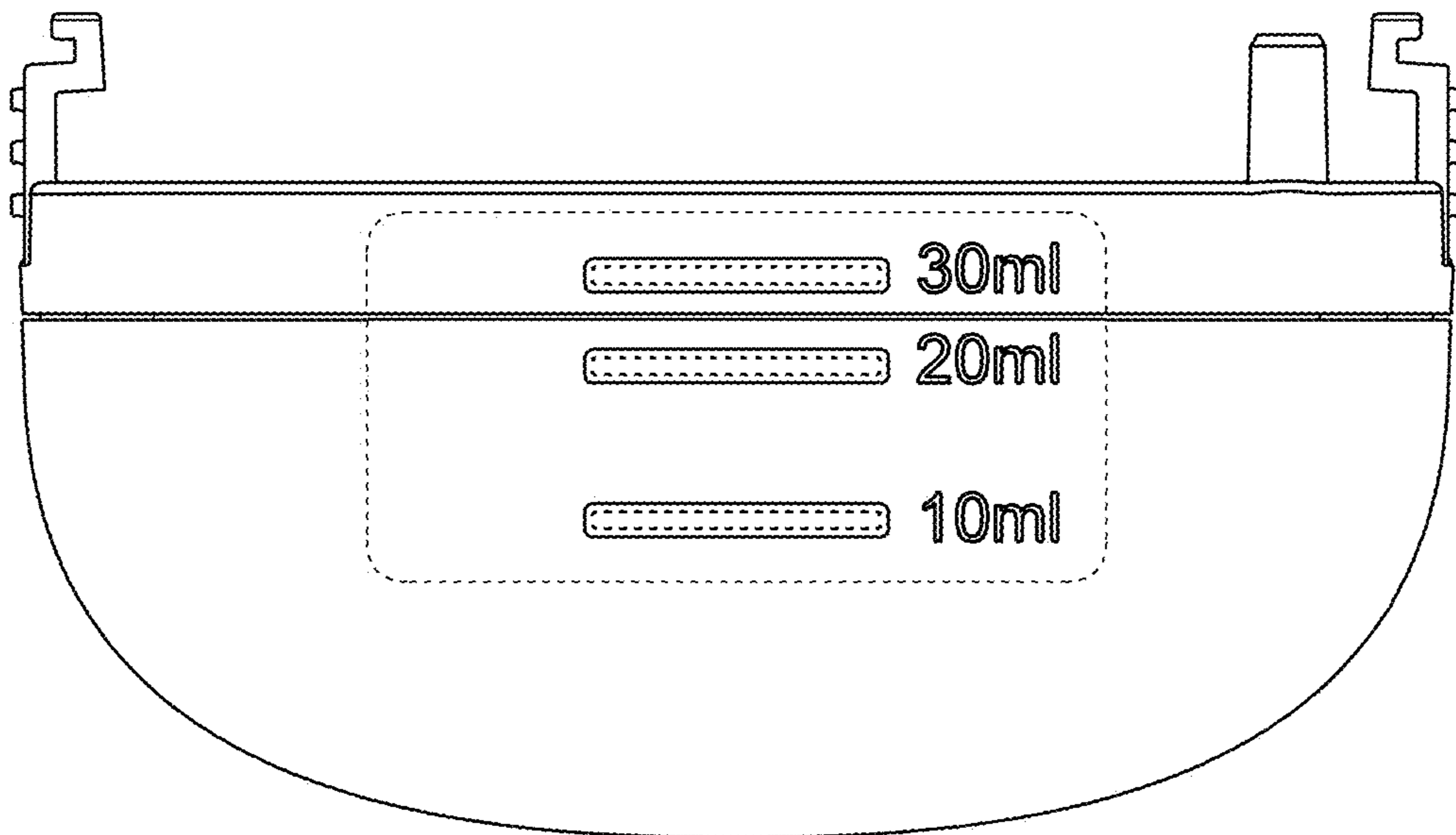


Figure. 5

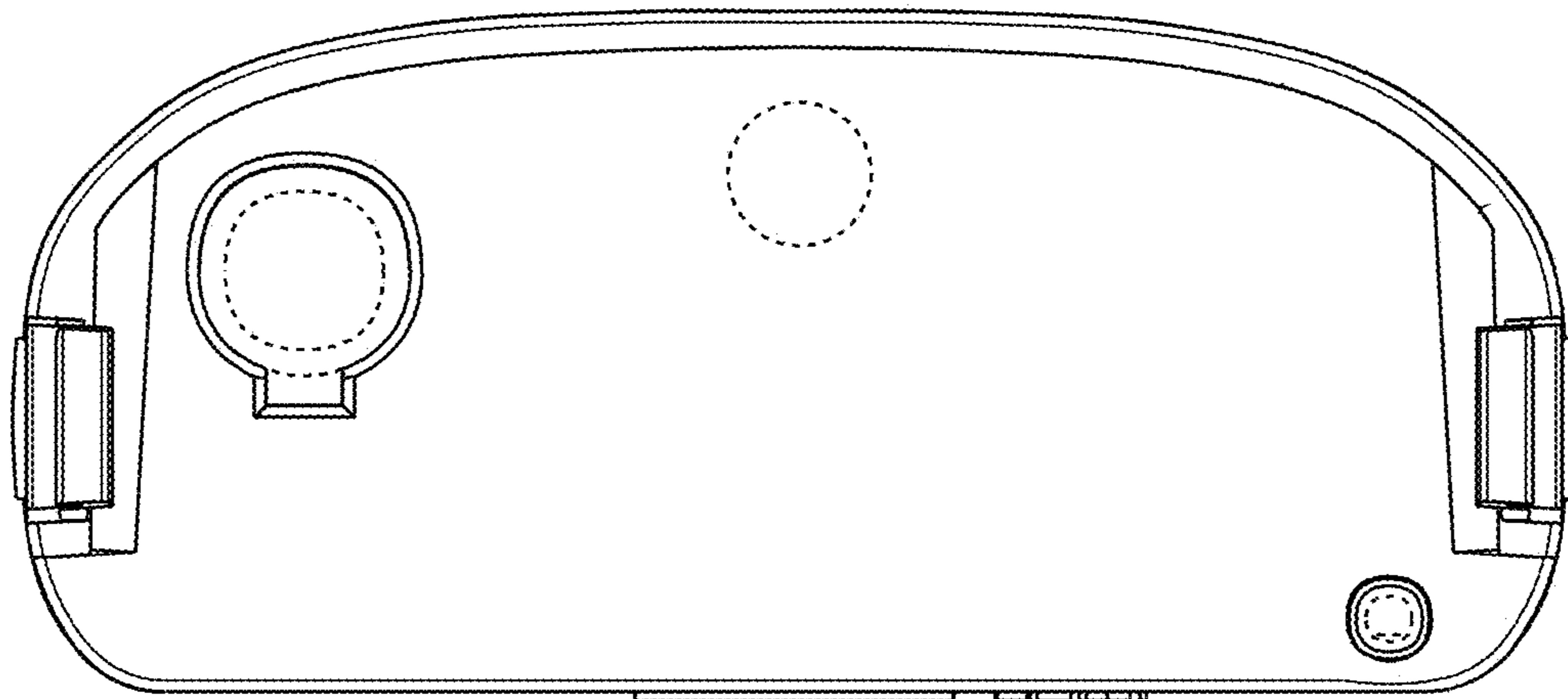


Figure. 6

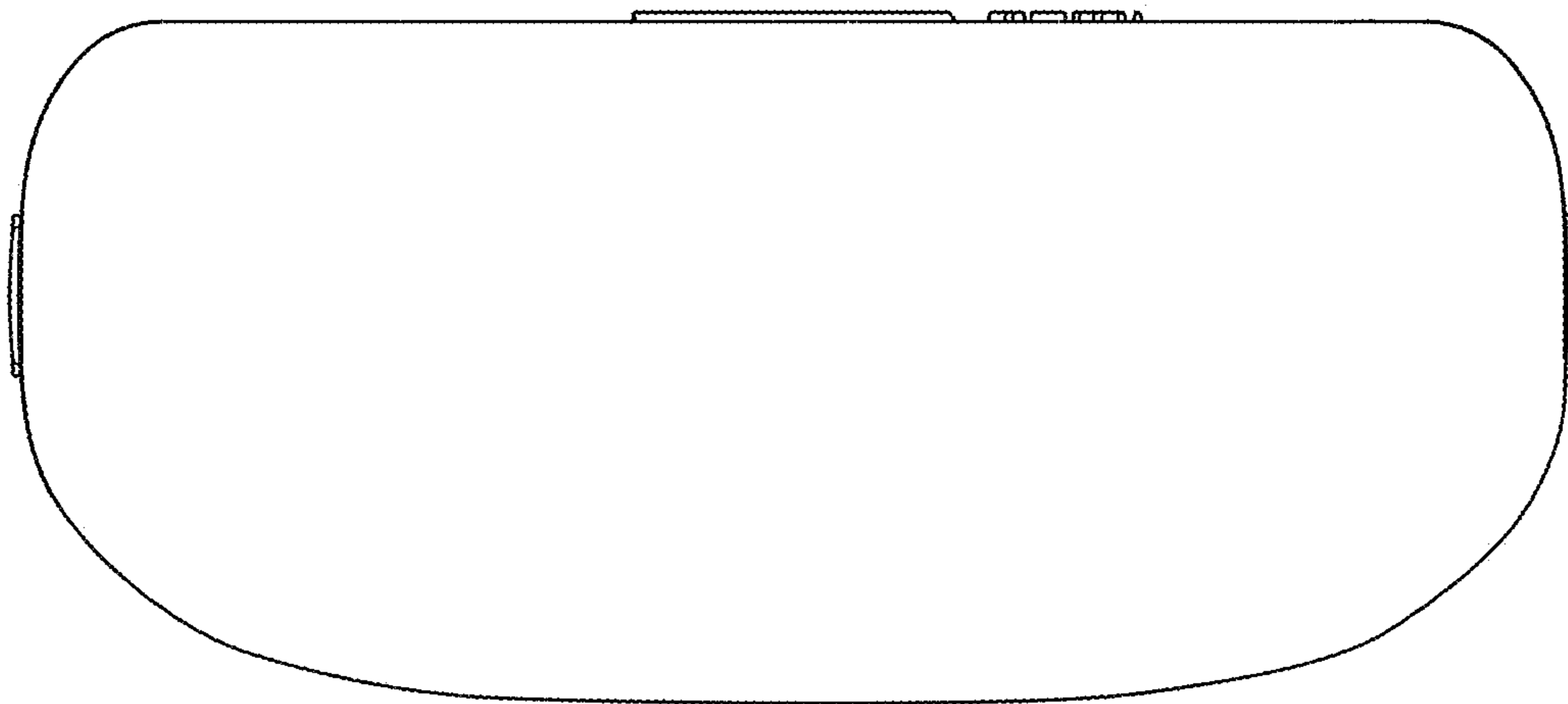


Figure. 7