



US00D983349S

(12) **United States Design Patent** (10) **Patent No.:** **US D983,349 S**
Pan (45) **Date of Patent:** **** Apr. 11, 2023**

(54) **CEILING FAN**
(71) Applicant: **Fangming Pan**, Ganzhou (CN)
(72) Inventor: **Fangming Pan**, Ganzhou (CN)
(**) Term: **15 Years**
(21) Appl. No.: **29/863,991**
(22) Filed: **Dec. 26, 2022**
(51) **LOC (14) Cl.** **23-04**
(52) **U.S. Cl.**
USPC **D23/377**
(58) **Field of Classification Search**
USPC D23/370, 377, 379, 382, 385, 413-414;
D26/59
CPC F04D 25/088; F04D 29/38; F04D 29/384;
F04D 29/386; F21V 33/0096
See application file for complete search history.

D886,979 S * 6/2020 Gorali D23/377
D933,810 S * 10/2021 Li D23/413
2007/0104583 A1* 5/2007 Gajewski F04D 29/005
416/210 R

* cited by examiner

Primary Examiner — Sharon S Oum
(74) *Attorney, Agent, or Firm* — Daniel M. Cohn;
Howard M. Cohn

(56) **References Cited**

U.S. PATENT DOCUMENTS

D535,011 S * 1/2007 Gajewski D23/379
D536,083 S * 1/2007 Gajewski D23/379
D671,203 S * 11/2012 Wang D26/59
D716,438 S * 10/2014 Liu D23/377
D721,430 S * 1/2015 Schulzman D23/413
D726,297 S * 4/2015 Liu D23/377
D800,291 S * 10/2017 Wang D23/385
D807,488 S 1/2018 McRoberts
D834,491 S * 11/2018 Zipszer D12/214
D855,789 S 8/2019 Haggar

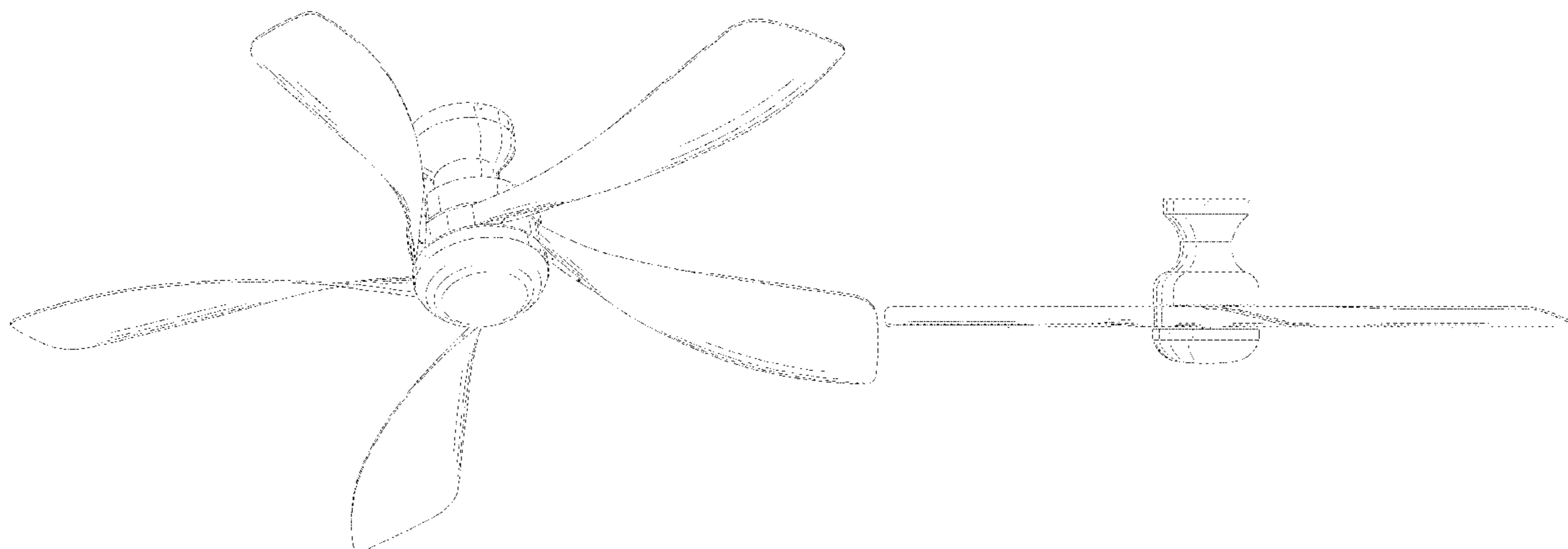
(57) **CLAIM**

The ornamental design for a ceiling fan, as shown and described.

DESCRIPTION

FIG. 1 is a perspective view of a ceiling fan showing my new design;
FIG. 2 is another perspective view thereof;
FIG. 3 is a front view thereof;
FIG. 4 is a back view thereof;
FIG. 5 is a left view thereof;
FIG. 6 is a right view thereof;
FIG. 7 is a top plan view thereof; and,
FIG. 8 is a bottom plan view thereof.
The broken line showing of the mounting screws is for the purpose of illustrating portions of the ceiling fan and forms no part of the claimed design.

1 Claim, 8 Drawing Sheets



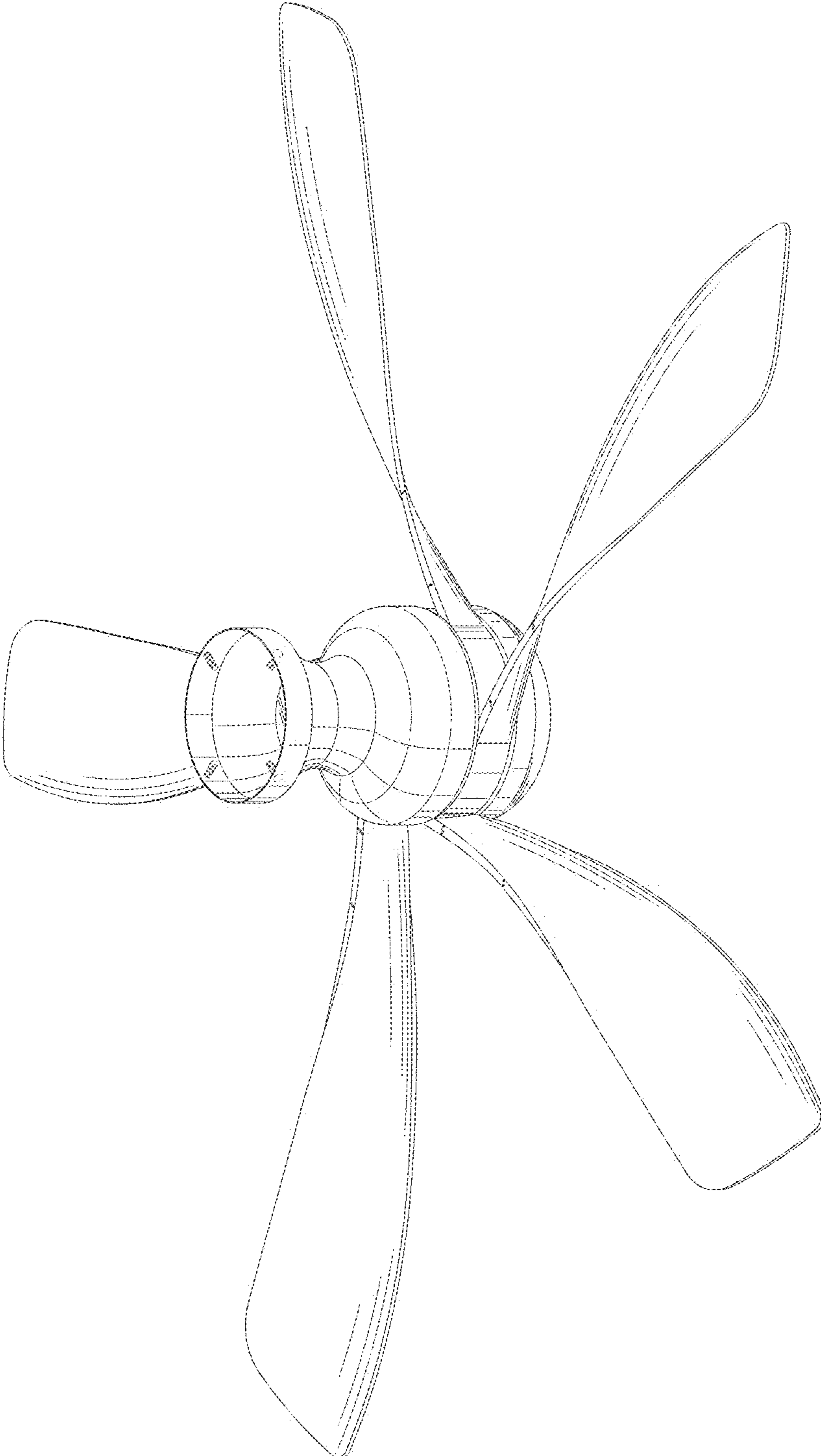


FIG.1

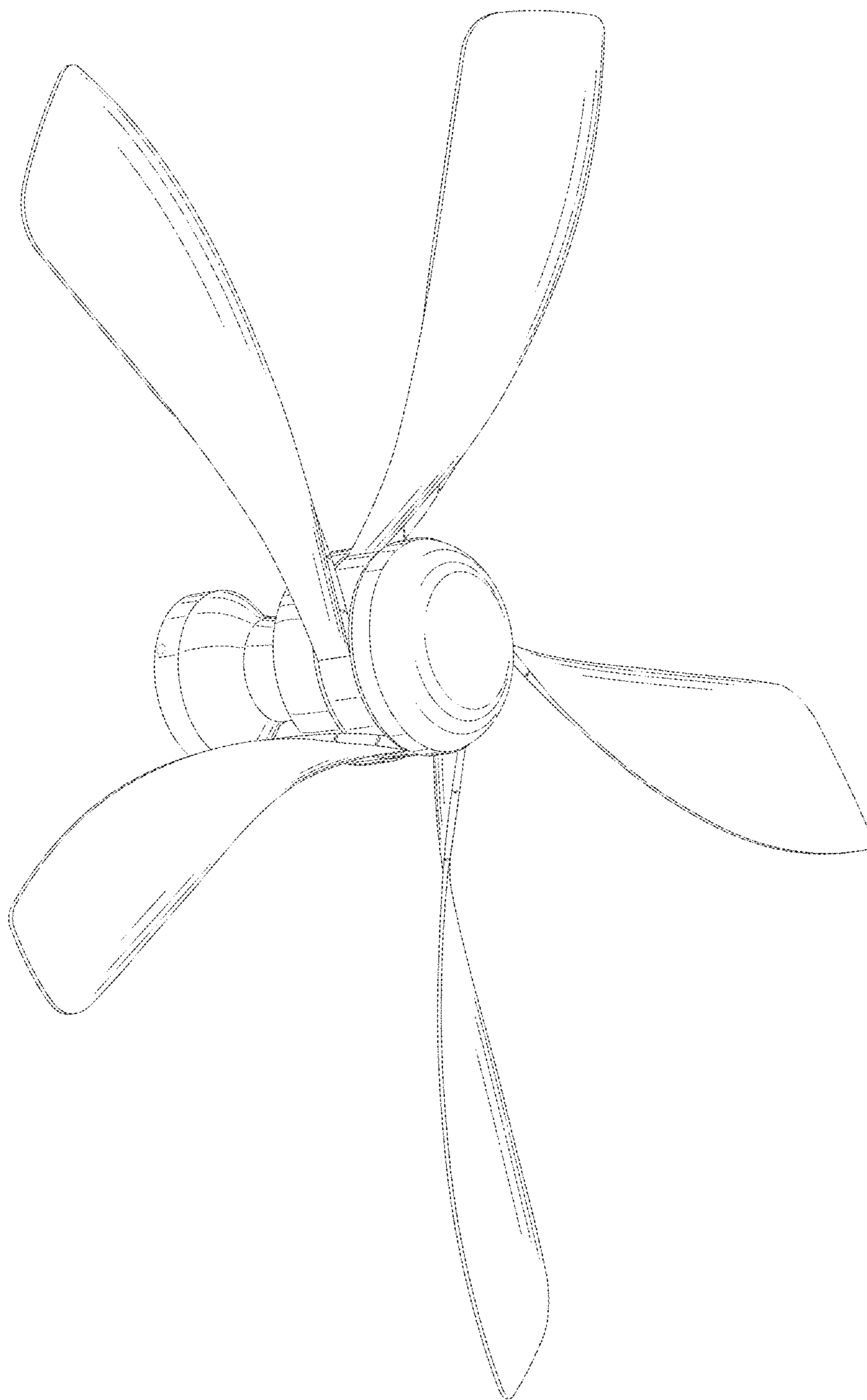


FIG. 2

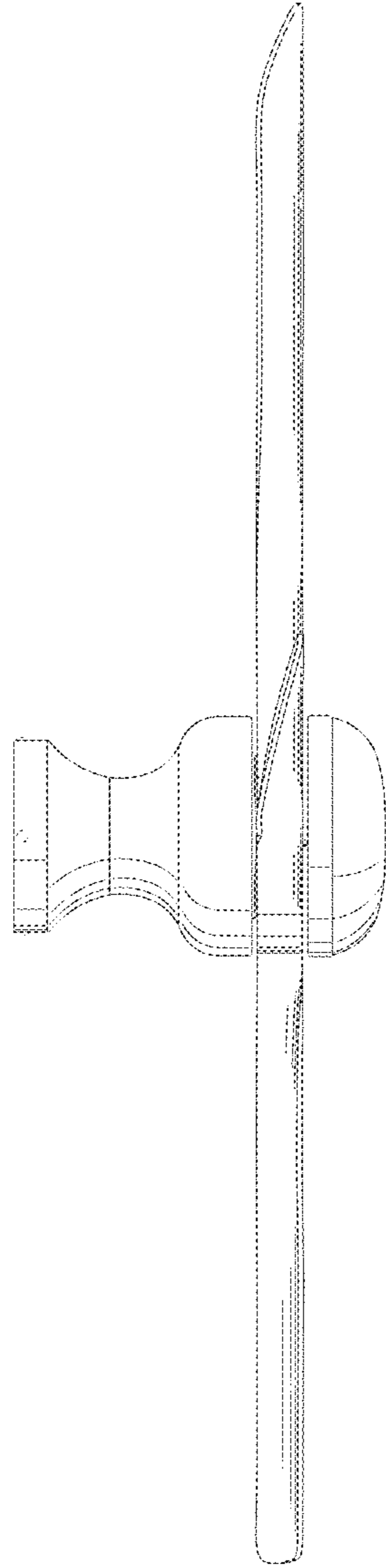


FIG.3

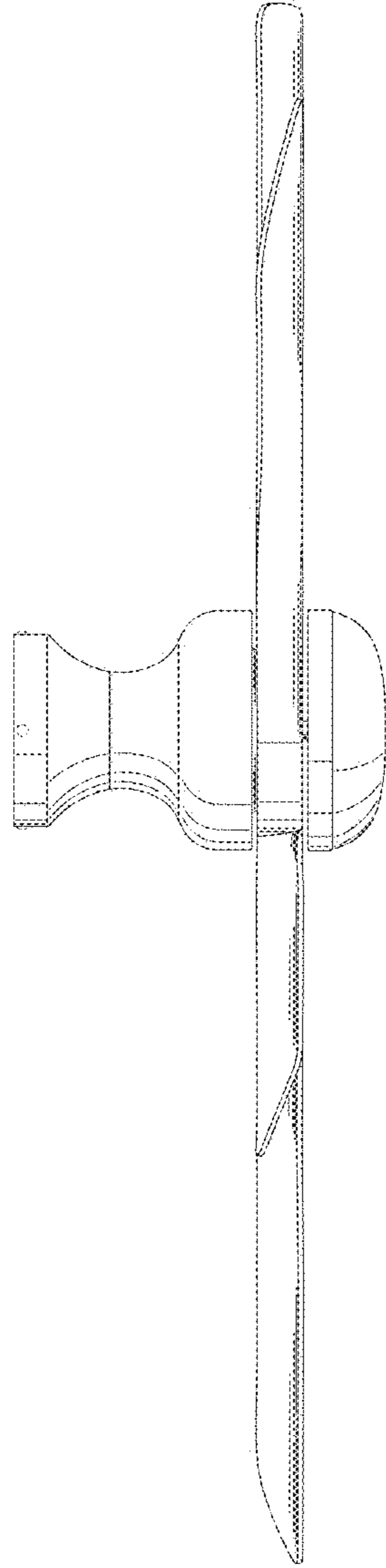


FIG.4

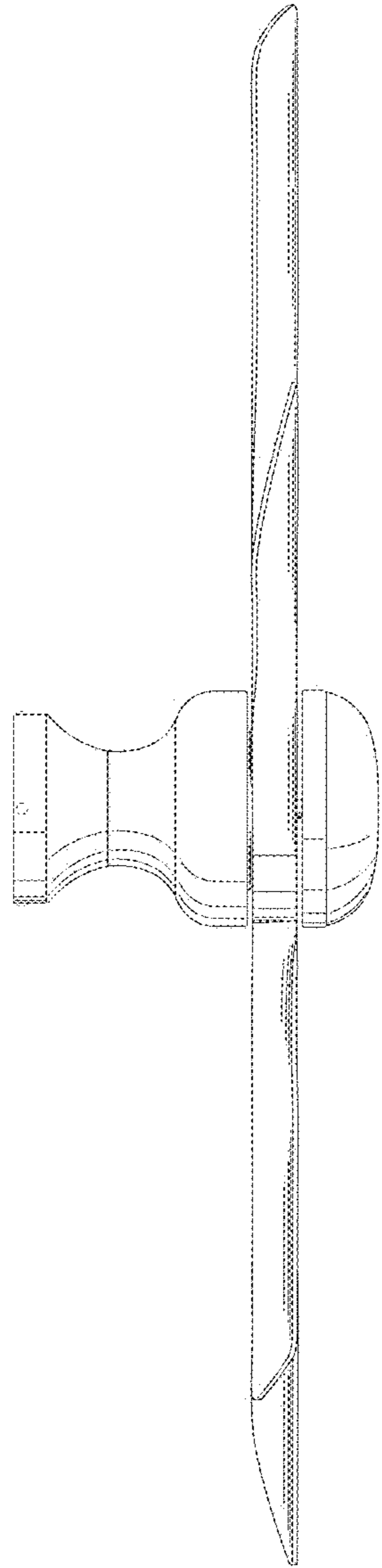


FIG.5

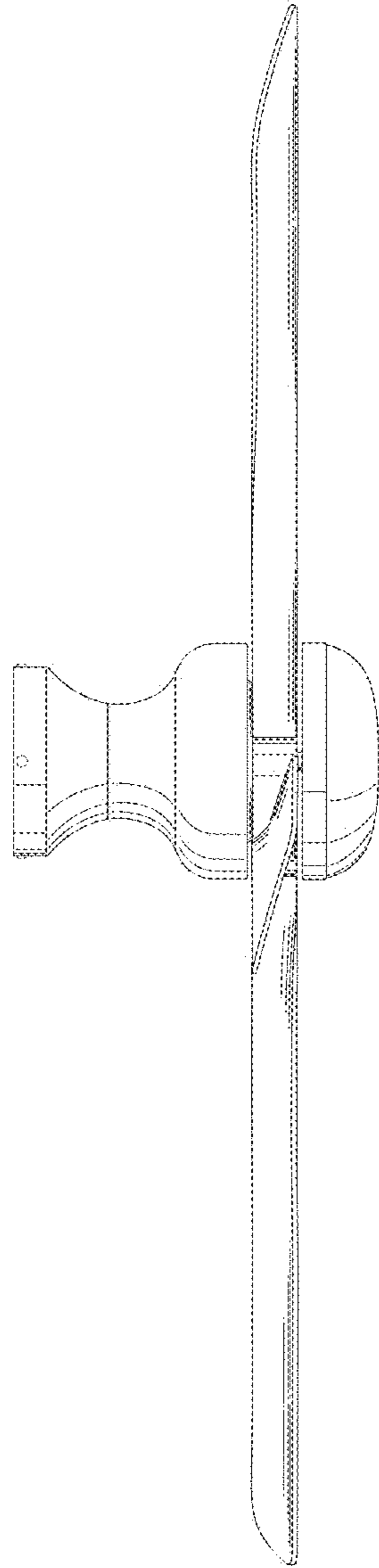


FIG.6

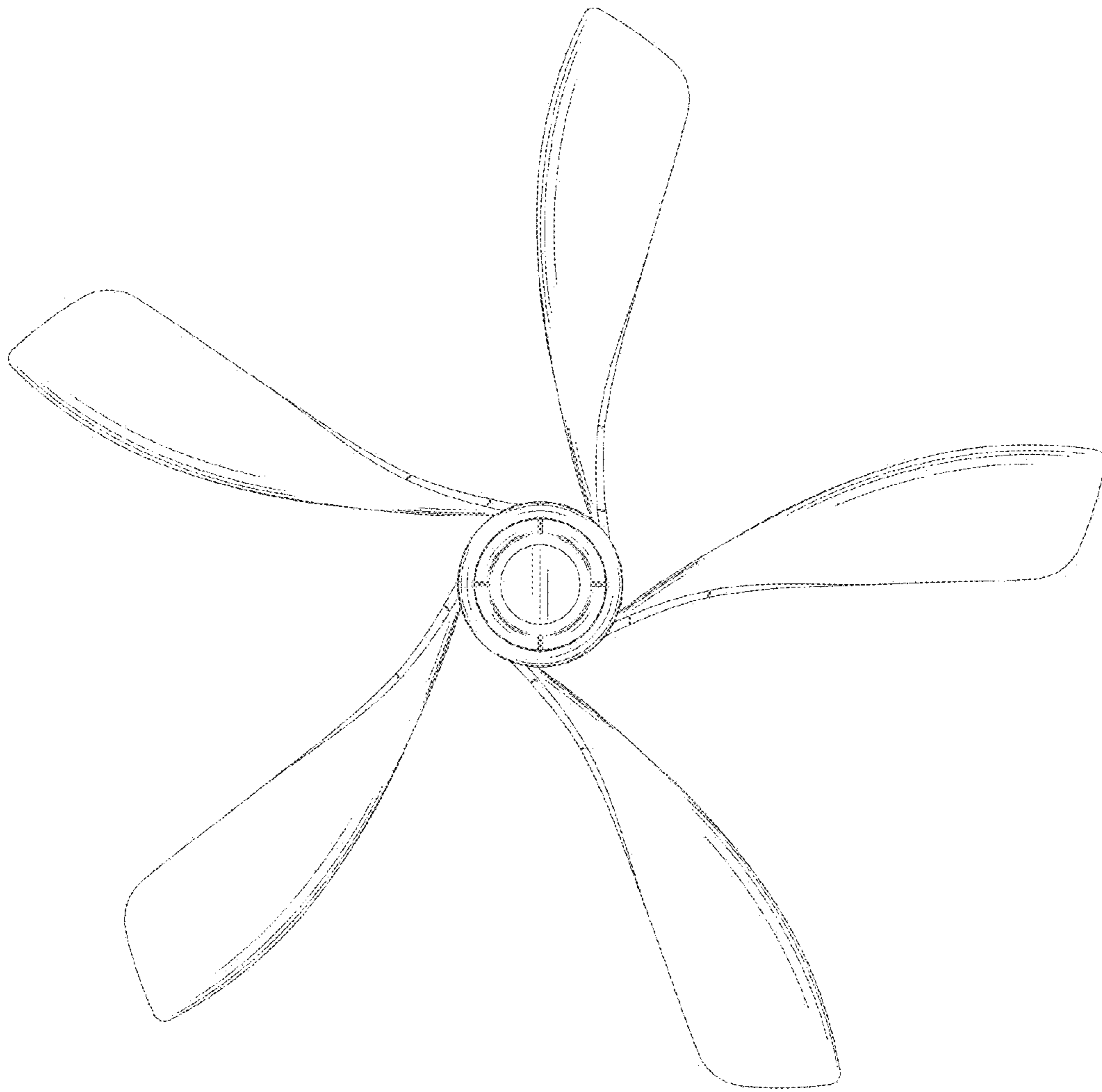


FIG.7

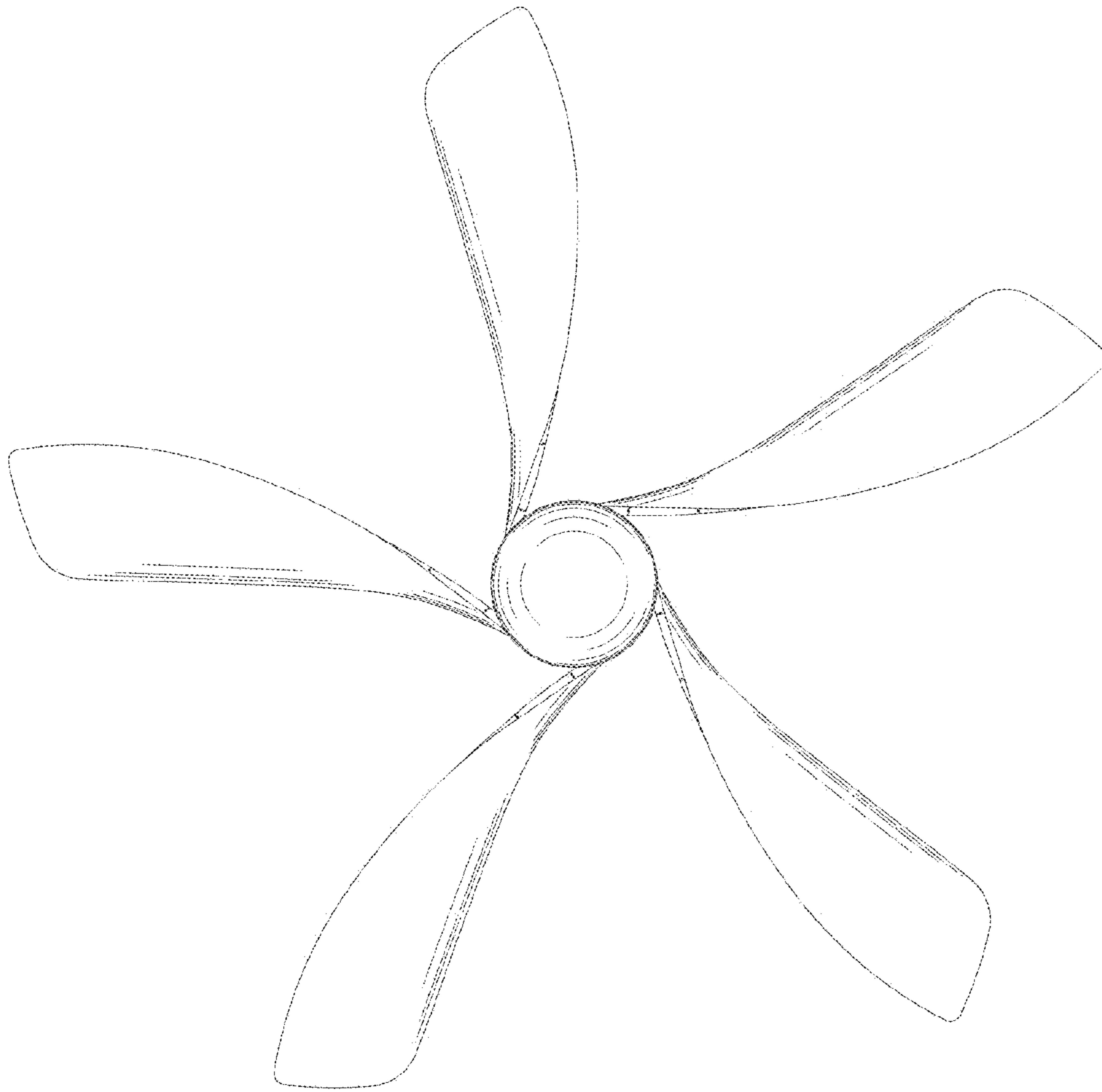


FIG. 8