



US00D983348S

(12) **United States Design Patent**
Jones

(10) **Patent No.:** **US D983,348 S**

(45) **Date of Patent:** **** Apr. 11, 2023**

(54) **CEILING FAN WITH LIGHT FIXTURE**

(71) Applicant: **Craftmade International, Inc.**, Grand Prairie, TX (US)

(72) Inventor: **Jimmy J Jones**, Crowley, TX (US)

(73) Assignee: **Craftmade International, Inc.**, Grand Prairie, TX (US)

(**) Term: **15 Years**

(21) Appl. No.: **29/766,569**

(22) Filed: **Jan. 15, 2021**

(51) **LOC (14) Cl.** **23-04**

(52) **U.S. Cl.**
USPC **D23/377**

(58) **Field of Classification Search**
USPC D23/370, 377, 379, 385, 411, 413;
D26/59
CPC F04D 25/088; F04D 29/38; F04D 29/384;
F04D 29/386; F21V 33/0096
See application file for complete search history.

(56) **References Cited**

U.S. PATENT DOCUMENTS

RE34,147 E	*	12/1992	Rezek	F04D 25/088	416/170 R
6,039,533 A	*	3/2000	McCabe	F04D 29/384	416/223 R
D484,588 S	*	12/2003	Tai	D23/377	
D485,897 S	*	1/2004	Tai	D23/377	
D516,209 S	*	2/2006	Badarello	D23/413	
D524,439 S	*	7/2006	Tai	D23/413	
D562,960 S	*	2/2008	Gajewski	D26/59	

D707,336 S	*	6/2014	Pan	D23/385	
D715,418 S	*	10/2014	Schulzman	D26/59	
D726,299 S	*	4/2015	Schulzman	D23/413	
D745,658 S	*	12/2015	Wang	D23/413	
D771,230 S	*	11/2016	Jones	D23/377	
D794,768 S	*	8/2017	Wang	D23/377	
D796,659 S	*	9/2017	Schulzman	D23/377	
D902,378 S	*	11/2020	McRoberts	D23/413	
2006/0024165 A1	*	2/2006	Gajewski	F04D 25/088	416/210 R

* cited by examiner

Primary Examiner — Sharon S Oum

(74) *Attorney, Agent, or Firm* — Mark Handley

(57) **CLAIM**

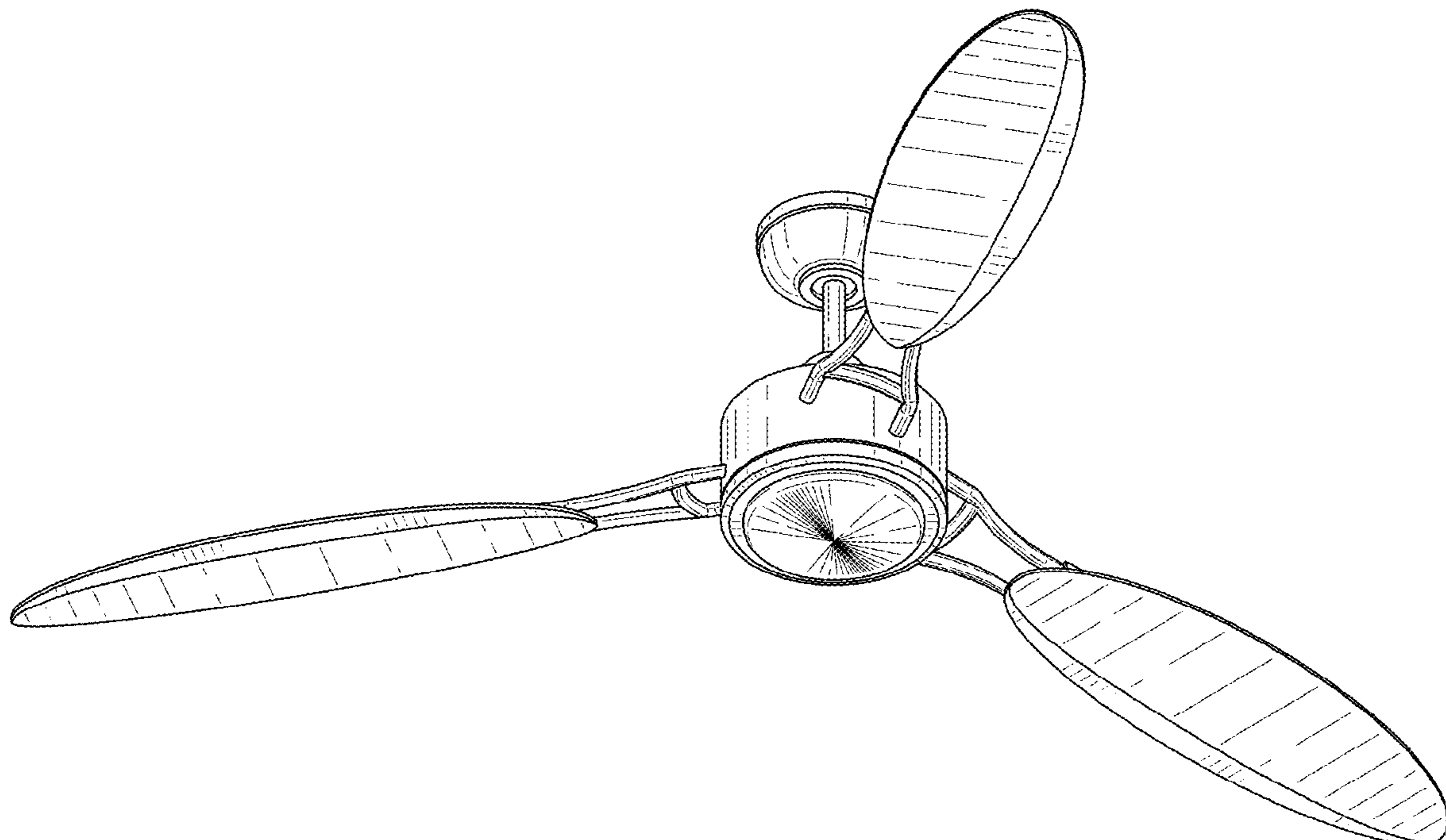
The ornamental design for a ceiling fan with light fixture, as shown and described.

DESCRIPTION

FIG. 1 is a perspective view of a ceiling fan with light fixture embodying my design;
FIG. 2 is a front view of the ceiling fan with light fixture;
FIG. 3 is a rear view of the ceiling fan with light fixture;
FIG. 4 is a top view of the ceiling fan with light fixture;
FIG. 5 is a bottom view of the ceiling fan with light fixture;
FIG. 6 is a left side view of the ceiling fan with light fixture;
and,
FIG. 7 is a right side view of the ceiling fan with light fixture.

The broken lines are shown for the vent holes on the top of the fan housing, for the top sides of the blade arms, and for the outward ends of the blade arms to which the fan blades are mounted in FIGS. 2 through 4, 6, and 7. None of the broken-line matter forms a part of the claimed design.

1 Claim, 4 Drawing Sheets



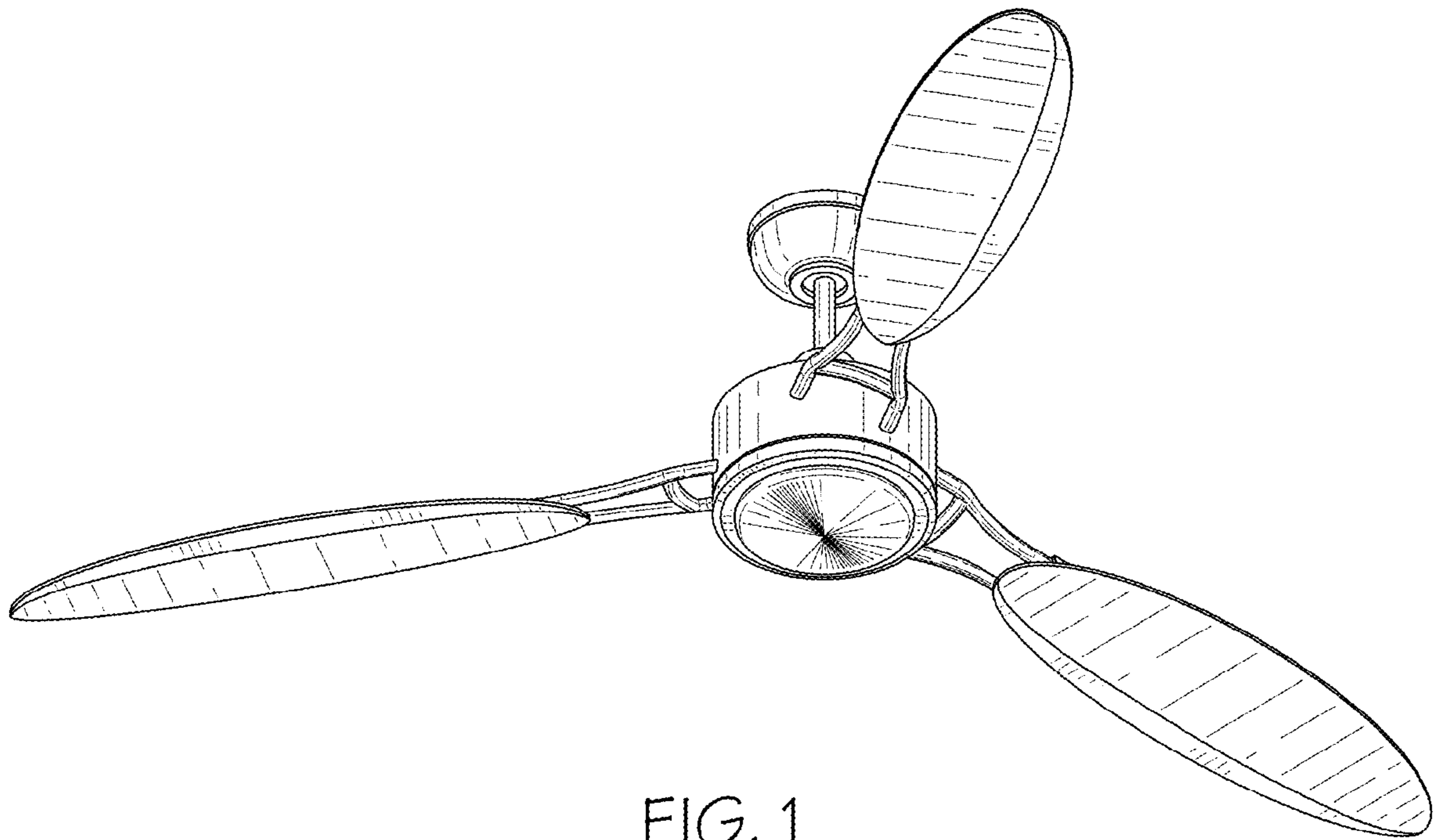


FIG. 1

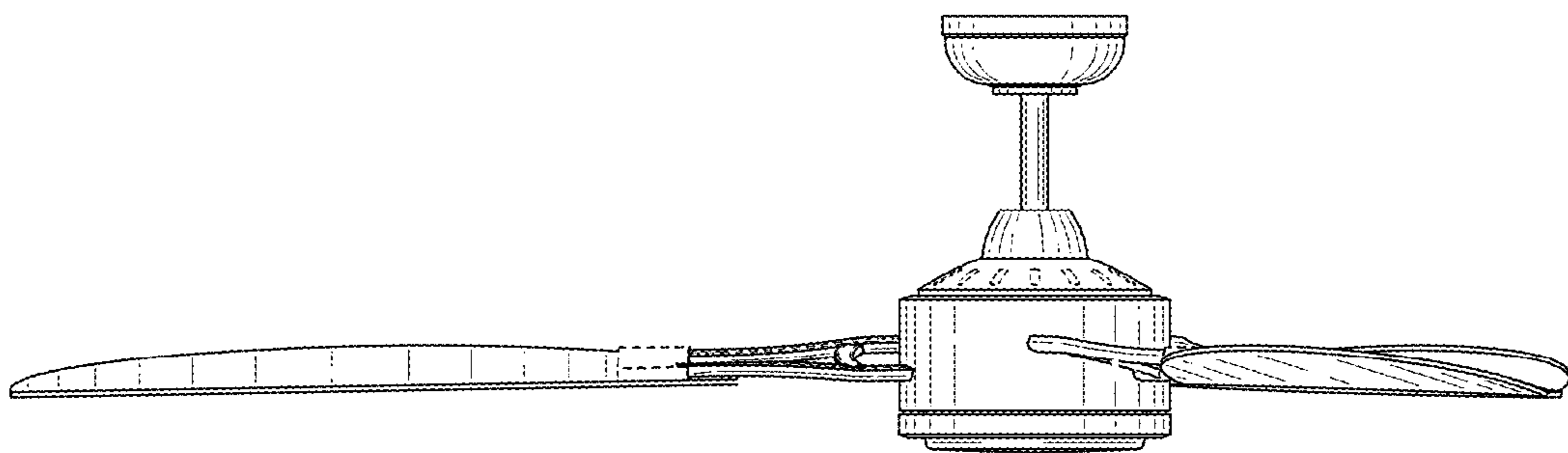


FIG. 2

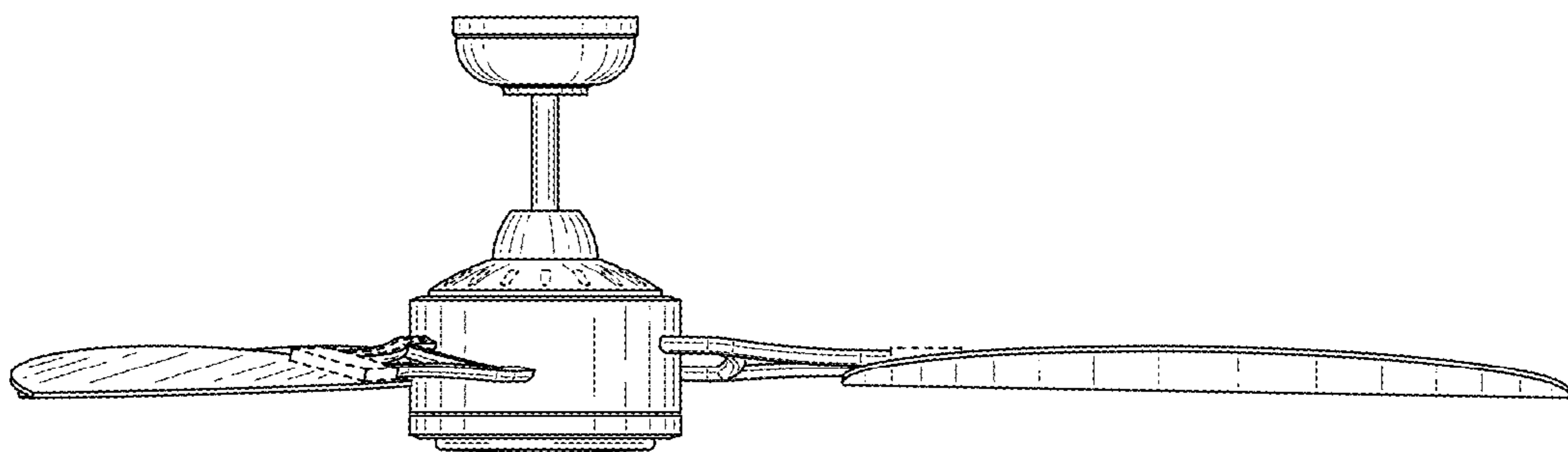


FIG. 3

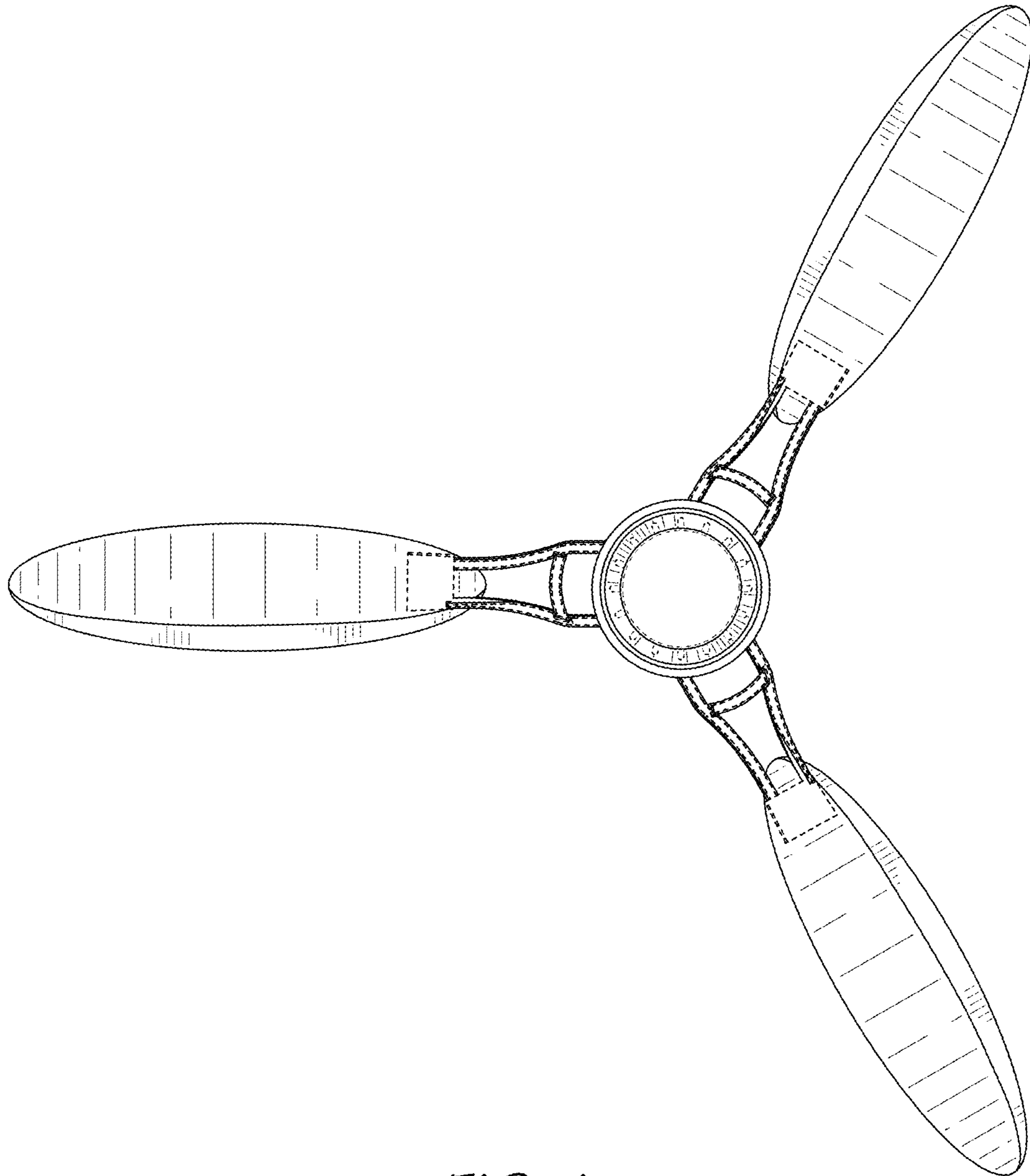


FIG. 4

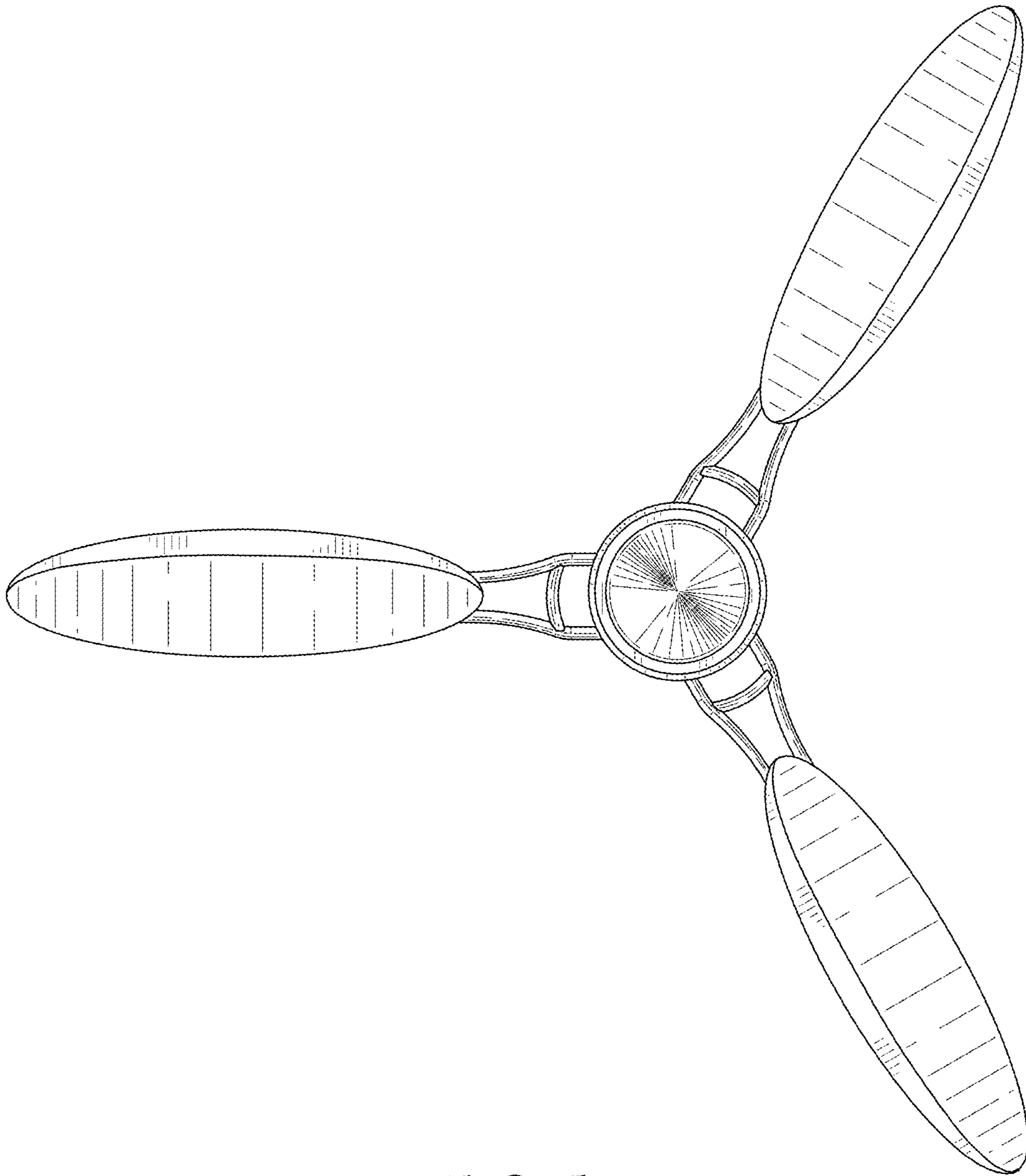


FIG. 5

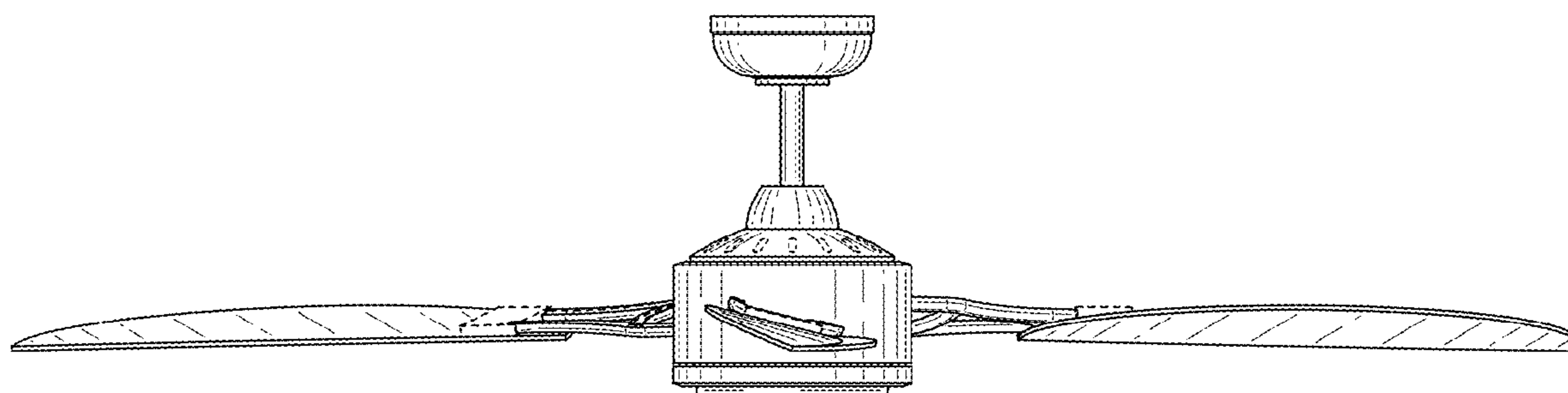


FIG. 6

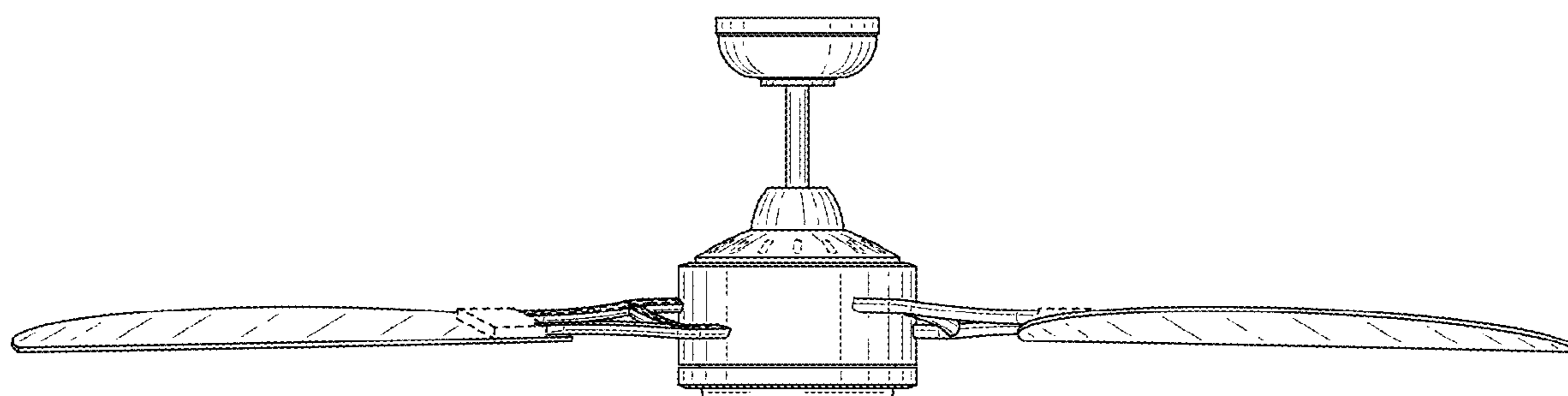


FIG. 7