



US00D983347S

(12) **United States Design Patent**  
**Liao**

(10) **Patent No.:** **US D983,347 S**  
(45) **Date of Patent:** **\*\* Apr. 11, 2023**

(54) **DIFFUSER**  
(71) Applicant: **Cong Liao**, Zhongshan (CN)  
(72) Inventor: **Cong Liao**, Zhongshan (CN)  
(\*\*) Term: **15 Years**

D861,847 S	*	10/2019	Li	.....	D23/366
D870,258 S	*	12/2019	Song	.....	D23/366
D874,631 S		2/2020	Lee et al.		
D882,747 S	*	4/2020	Li	.....	D23/366
D919,786 S	*	5/2021	Lee	.....	D23/366
D925,720 S	*	7/2021	Lee	.....	D23/366
D929,558 S		8/2021	Leyden		
D942,603 S	*	2/2022	Guo	.....	D23/356
D954,244 S	*	6/2022	Lee	.....	D23/366

(21) Appl. No.: **29/881,015**  
(22) Filed: **Dec. 27, 2022**

\* cited by examiner

*Primary Examiner* — Jennifer Rivard  
*Assistant Examiner* — Jonathan E Fiencke

(30) **Foreign Application Priority Data**

Nov. 23, 2022 (CN) ..... 202230784444.4

(51) **LOC (14) Cl.** ..... **23-04**  
(52) **U.S. Cl.**  
USPC ..... **D23/366**

(57) **CLAIM**

The ornamental design for a diffuser, as shown and described.

(58) **Field of Classification Search**  
USPC ..... D23/332, 341, 355–370, 386, 411–412,  
D23/388, 352, 355–356, 391  
See application file for complete search history.

**DESCRIPTION**

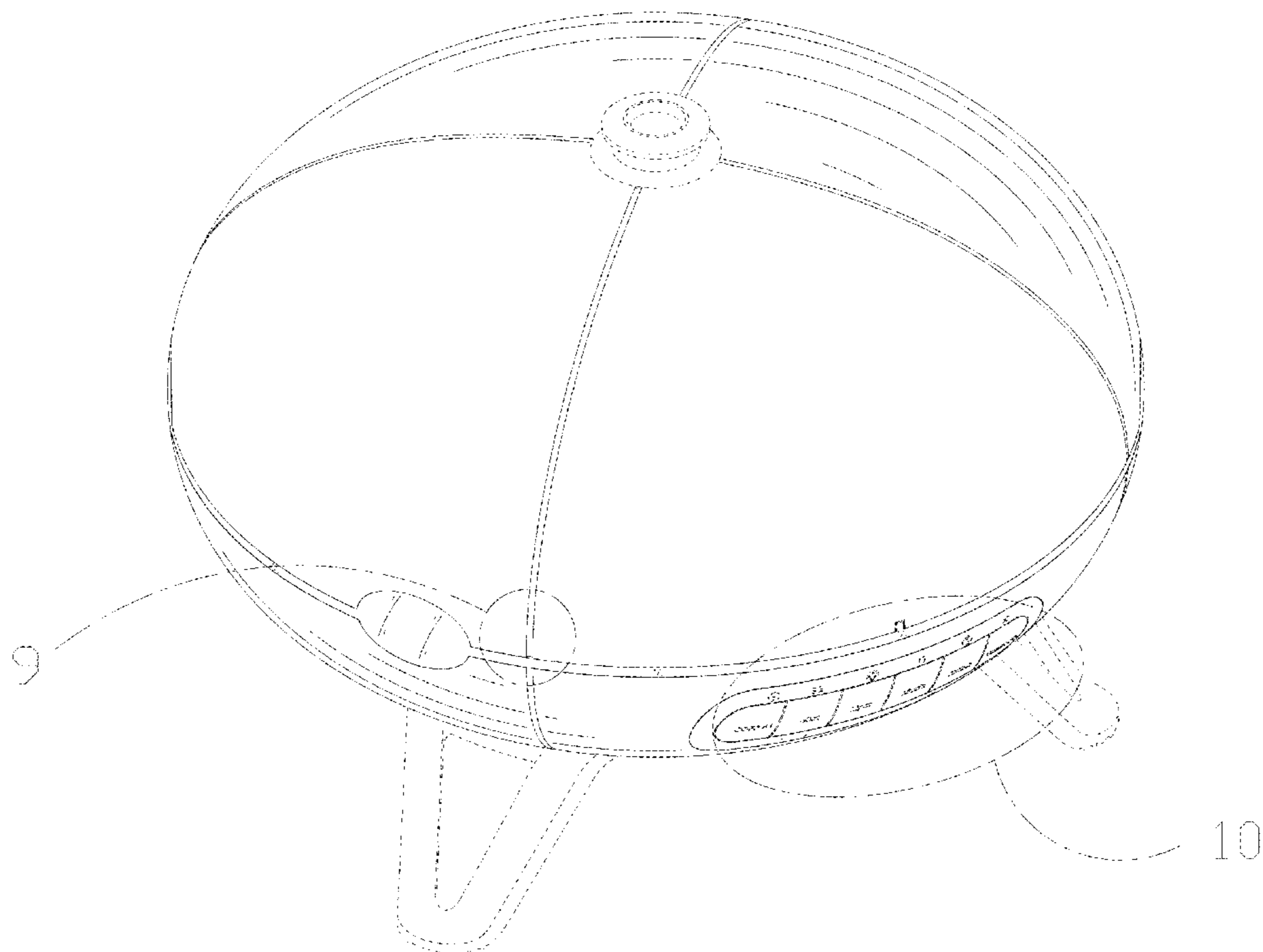
FIG. 1 is a perspective view of a diffuser showing my new design;  
FIG. 2 is another perspective view thereof;  
FIG. 3 is a front elevational view thereof;  
FIG. 4 is a rear elevational view thereof;  
FIG. 5 is a left side elevational view thereof;  
FIG. 6 is a right side elevational view thereof;  
FIG. 7 is a top plan view thereof;  
FIG. 8 is a bottom plan view thereof;  
FIG. 9 is an enlarged view of portion 9 shown in FIG. 1; and,  
FIG. 10 is an enlarged view of portion 10 shown in FIG. 1.  
The dash-dash broken lines in the drawings depict portions of the diffuser that form no part of the claimed design. The dot-dash broken lines represent boundaries of the enlarged portions and form no part of the claimed design.

(56) **References Cited**

U.S. PATENT DOCUMENTS

D246,317 S	*	11/1977	Heath	.....	D23/369
D390,940 S	*	2/1998	Chen	.....	D23/366
D522,118 S	*	5/2006	Miro	.....	D23/366
D753,279 S	*	4/2016	Li	.....	D23/366
D810,261 S	*	2/2018	Chen	.....	D23/366
D810,263 S	*	2/2018	Lu	.....	D23/366
D813,366 S	*	3/2018	Tang	.....	D23/366
D824,010 S	*	7/2018	Lu	.....	D23/366
D825,731 S	*	8/2018	Hou	.....	D23/366
D847,324 S	*	4/2019	Zuo	.....	D23/366

**1 Claim, 10 Drawing Sheets**



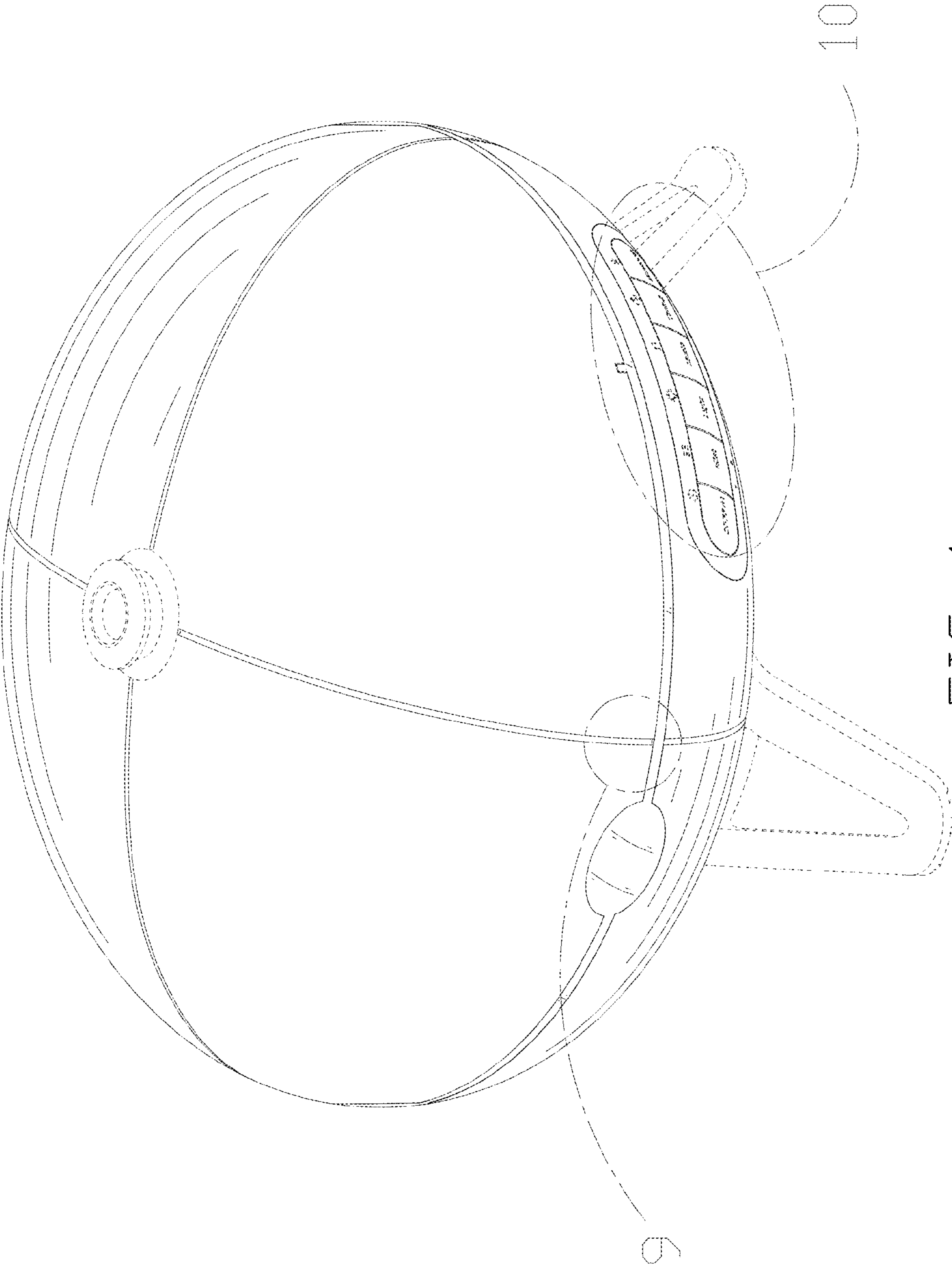


FIG. 1

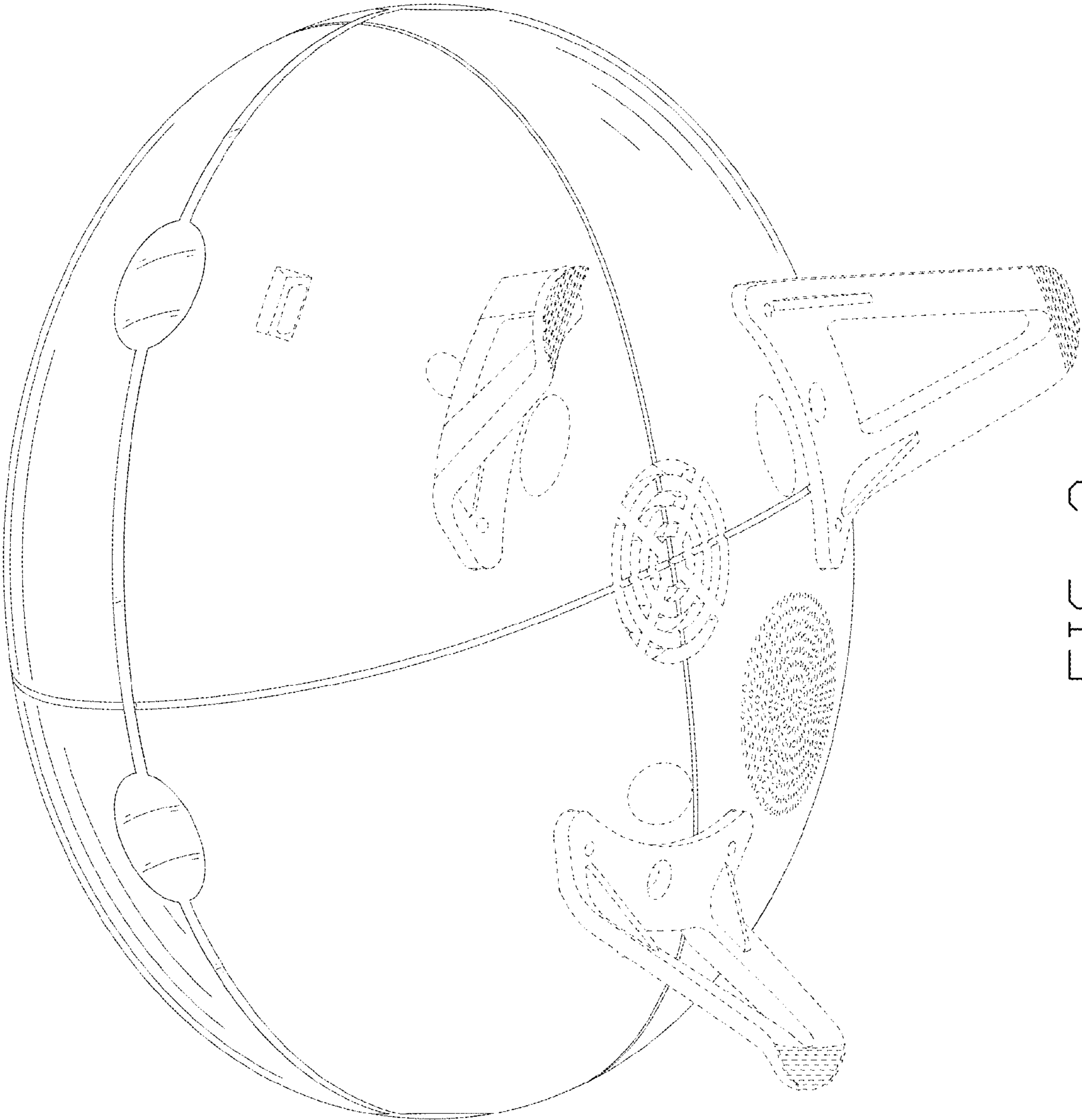


FIG. 2

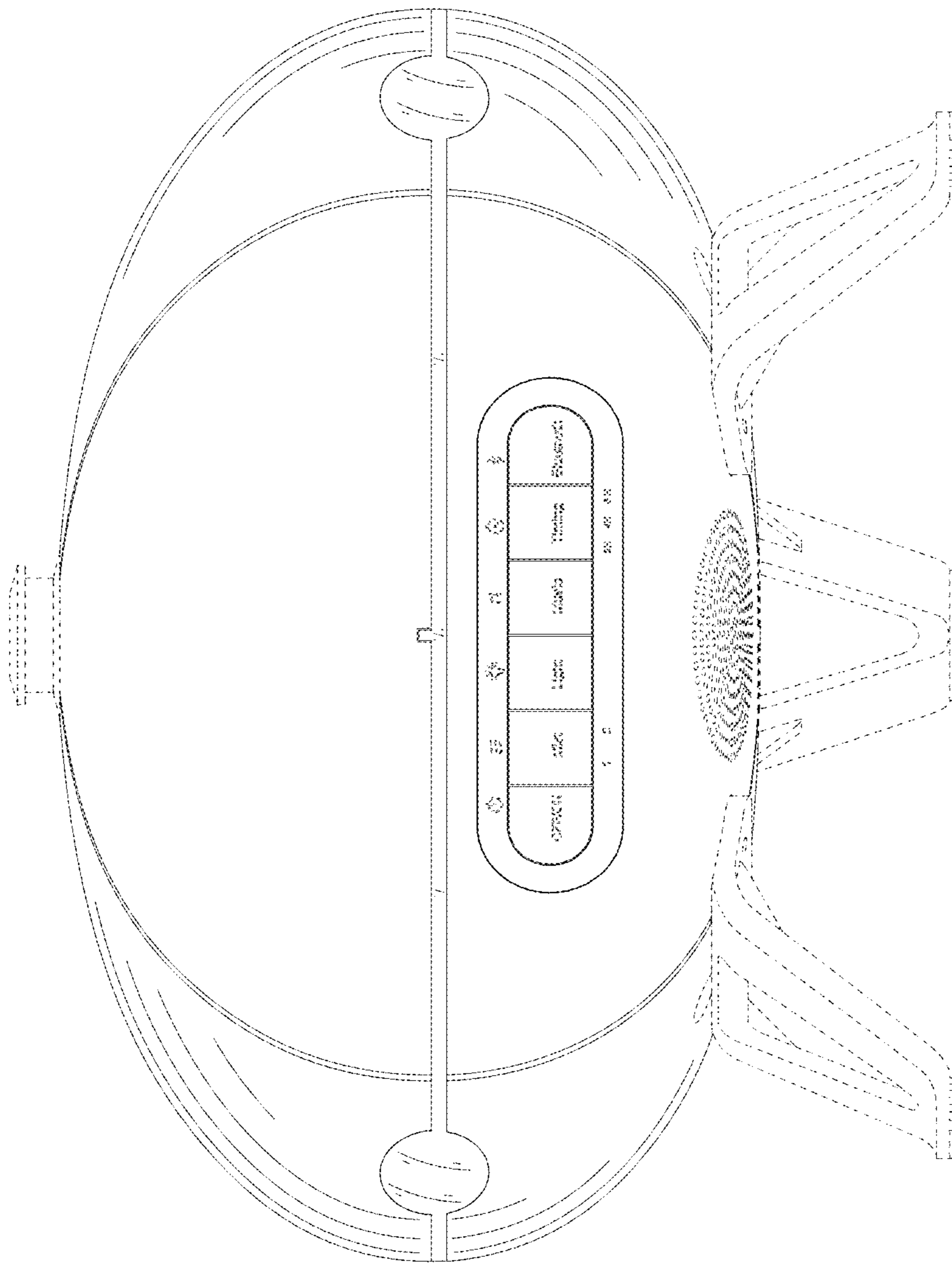


FIG. 3

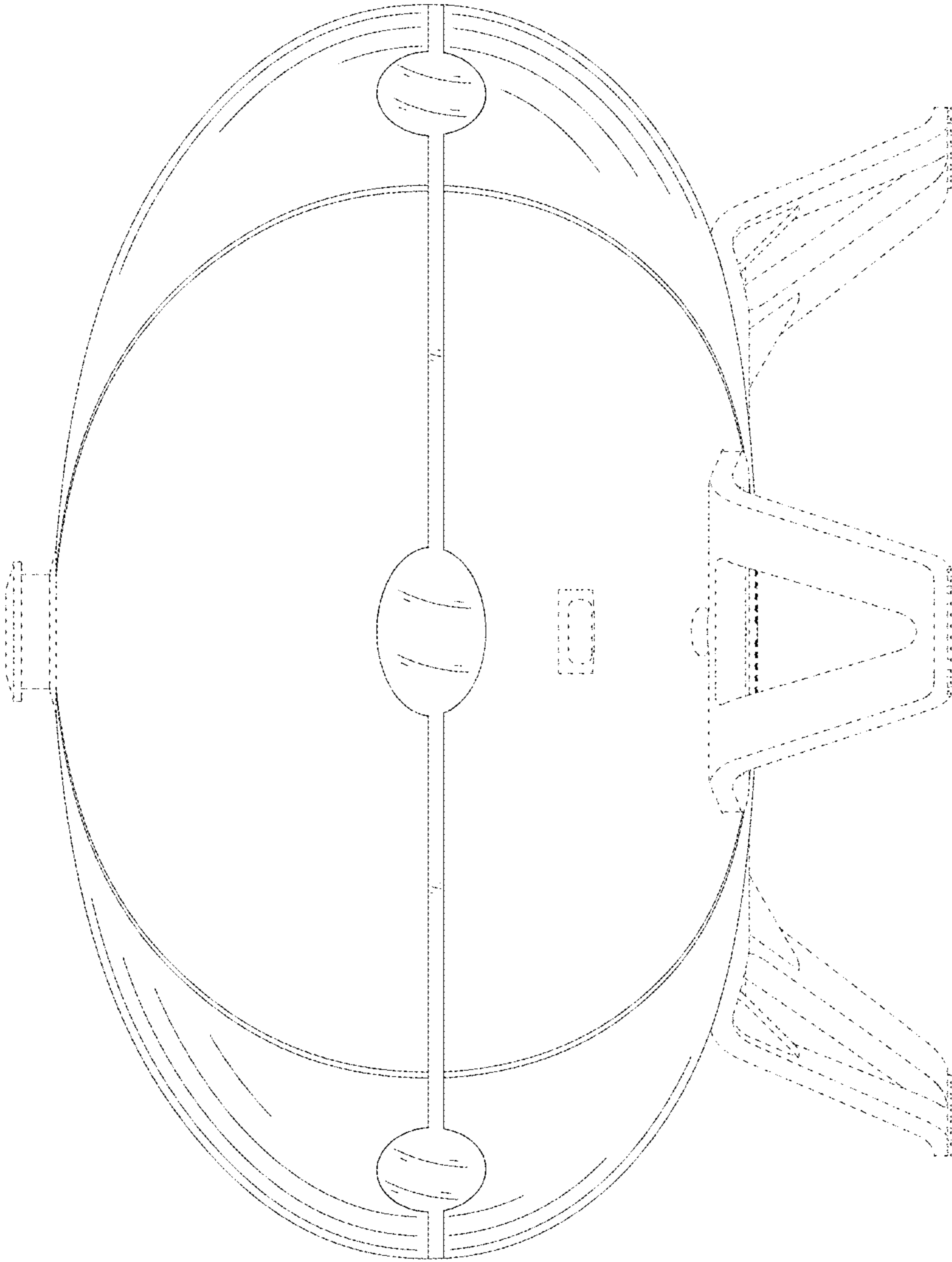


FIG. 4

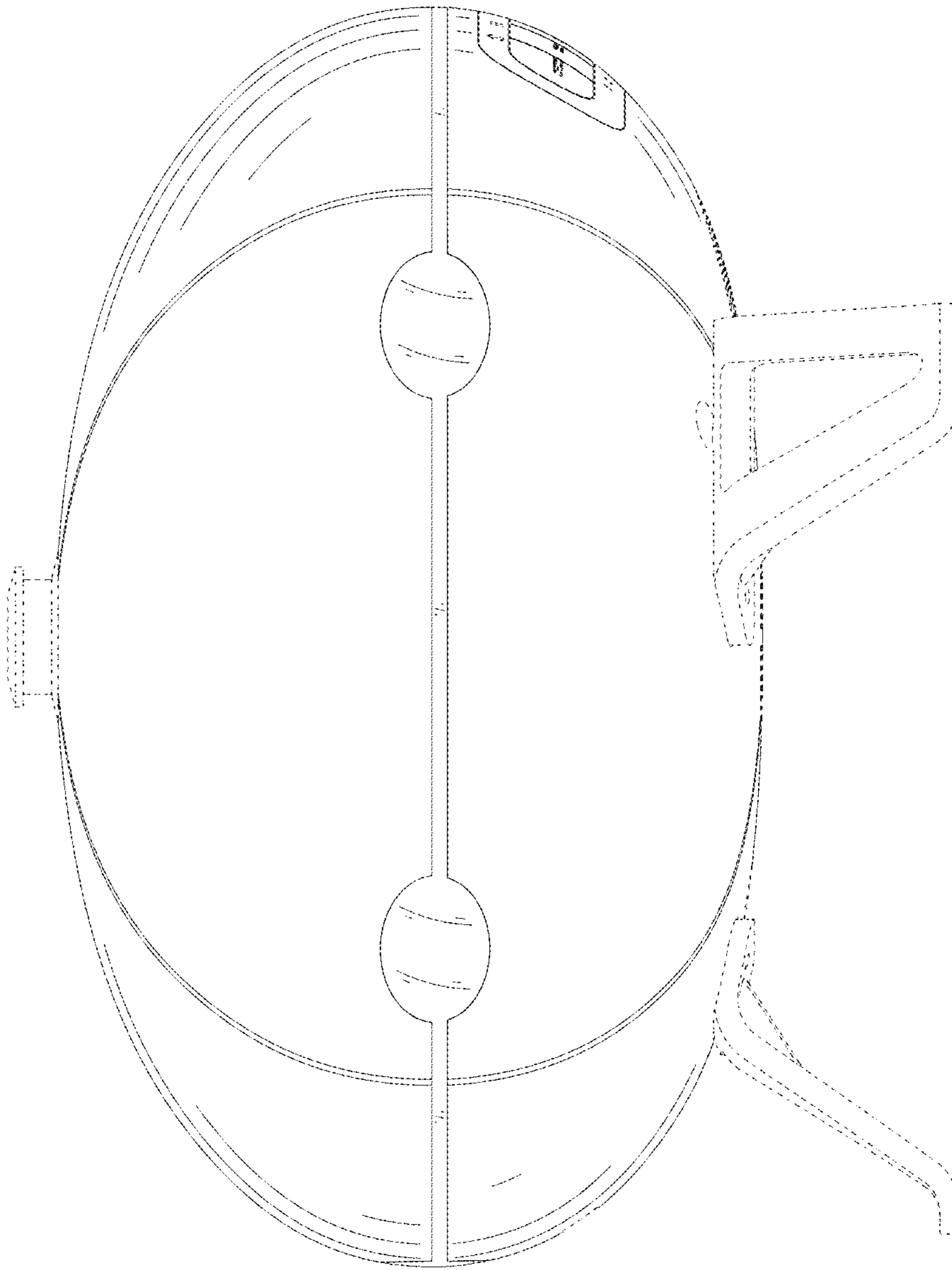


FIG. 5

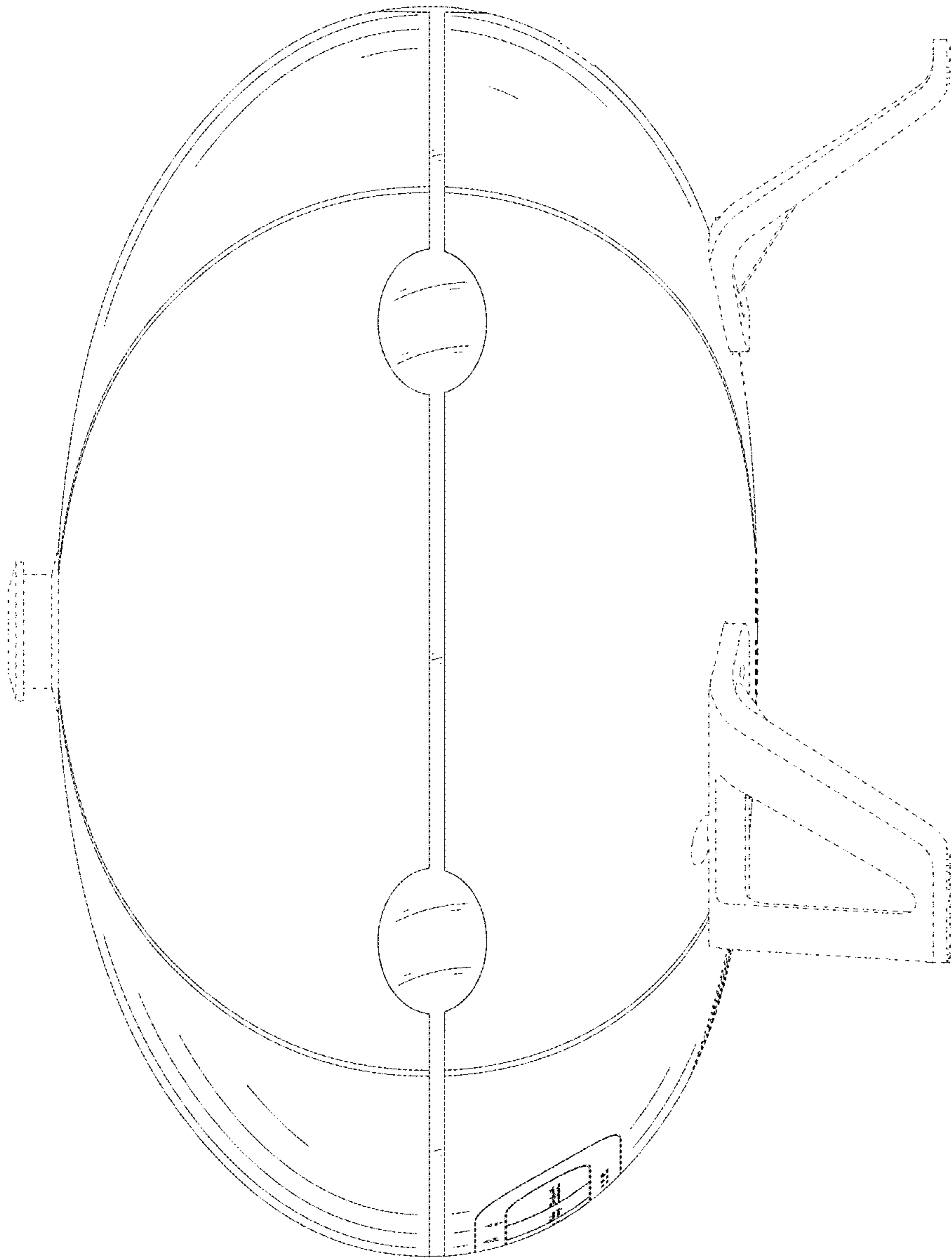


FIG. 6

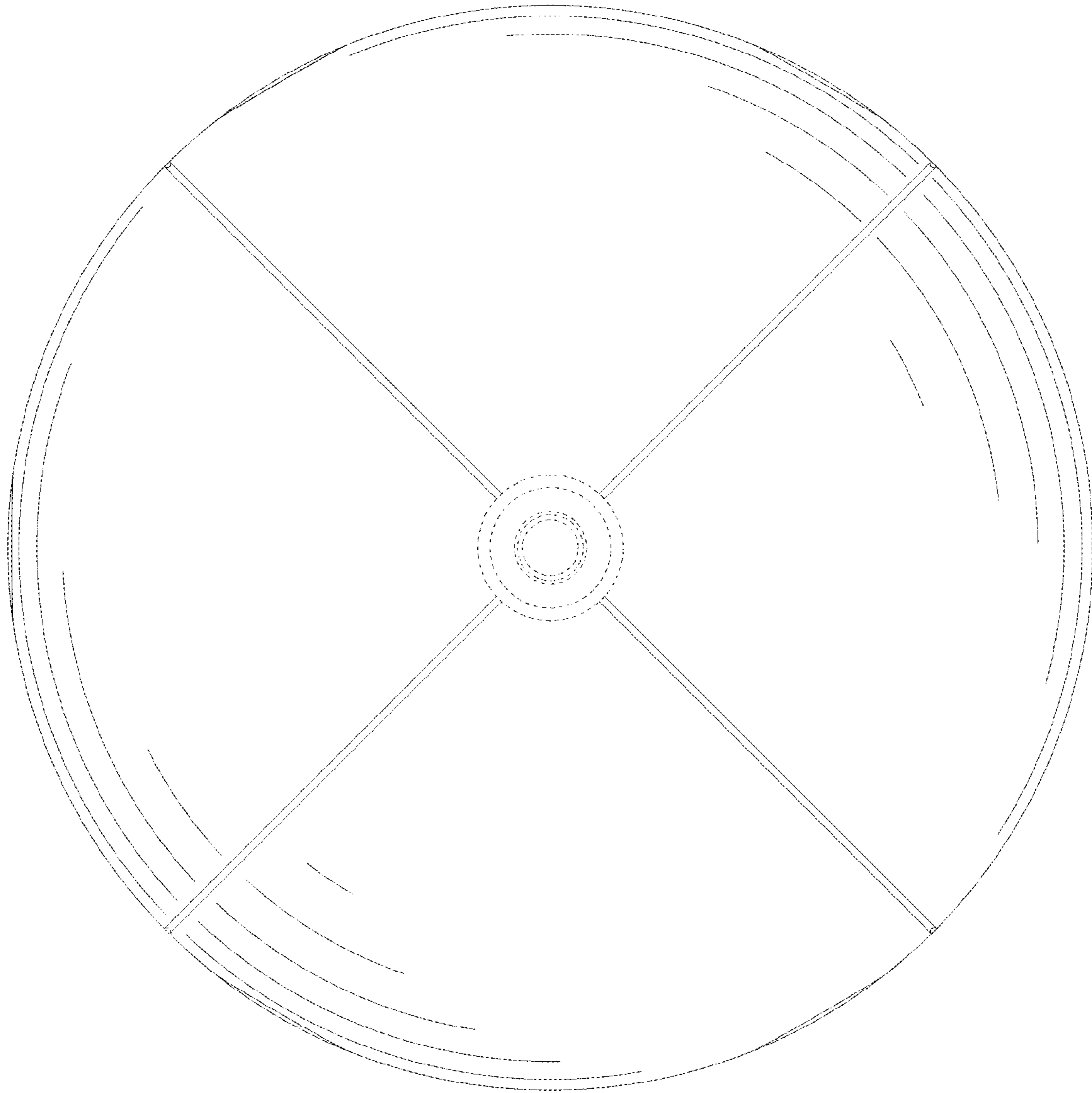


FIG. 7



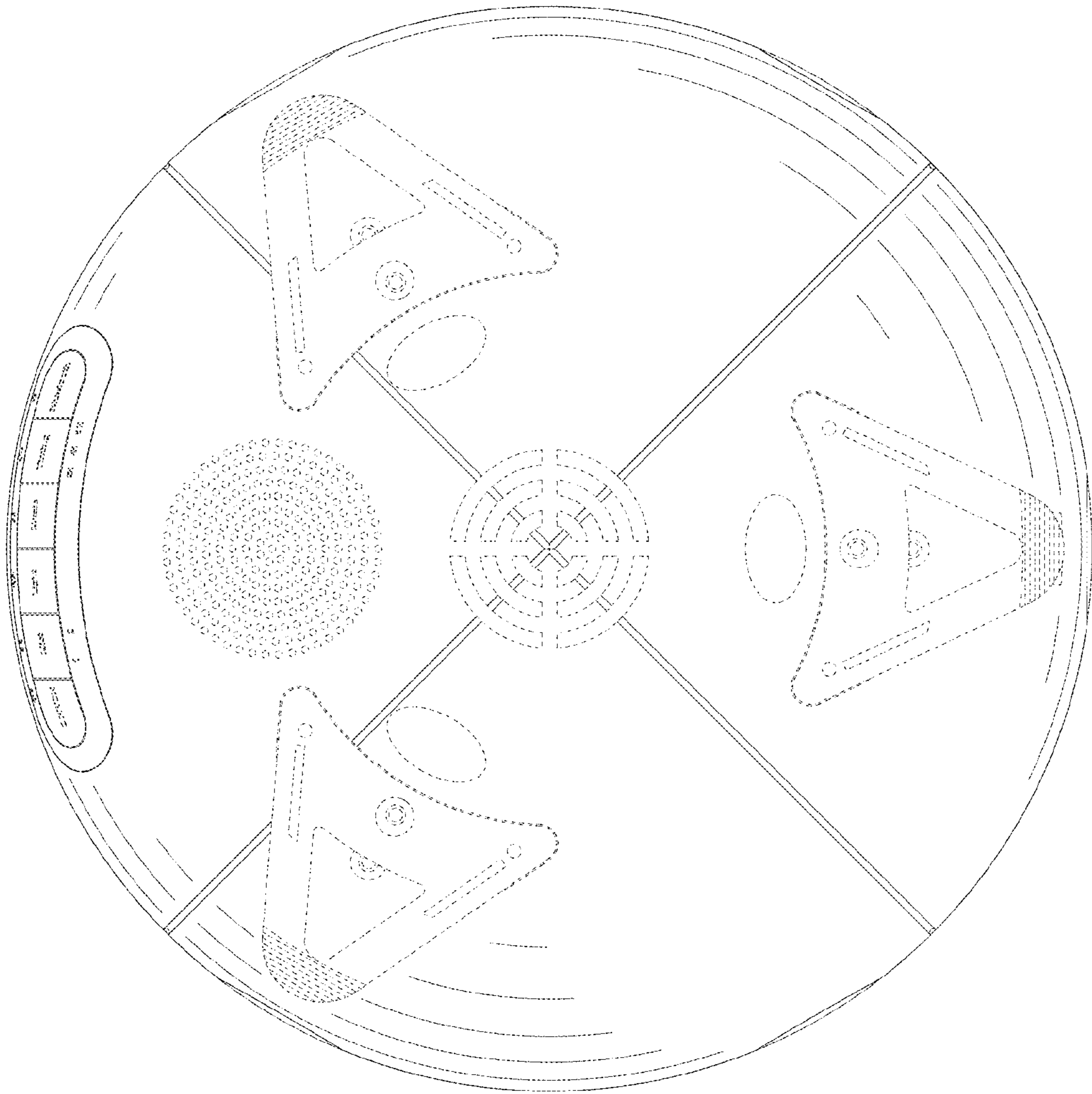


FIG. 8

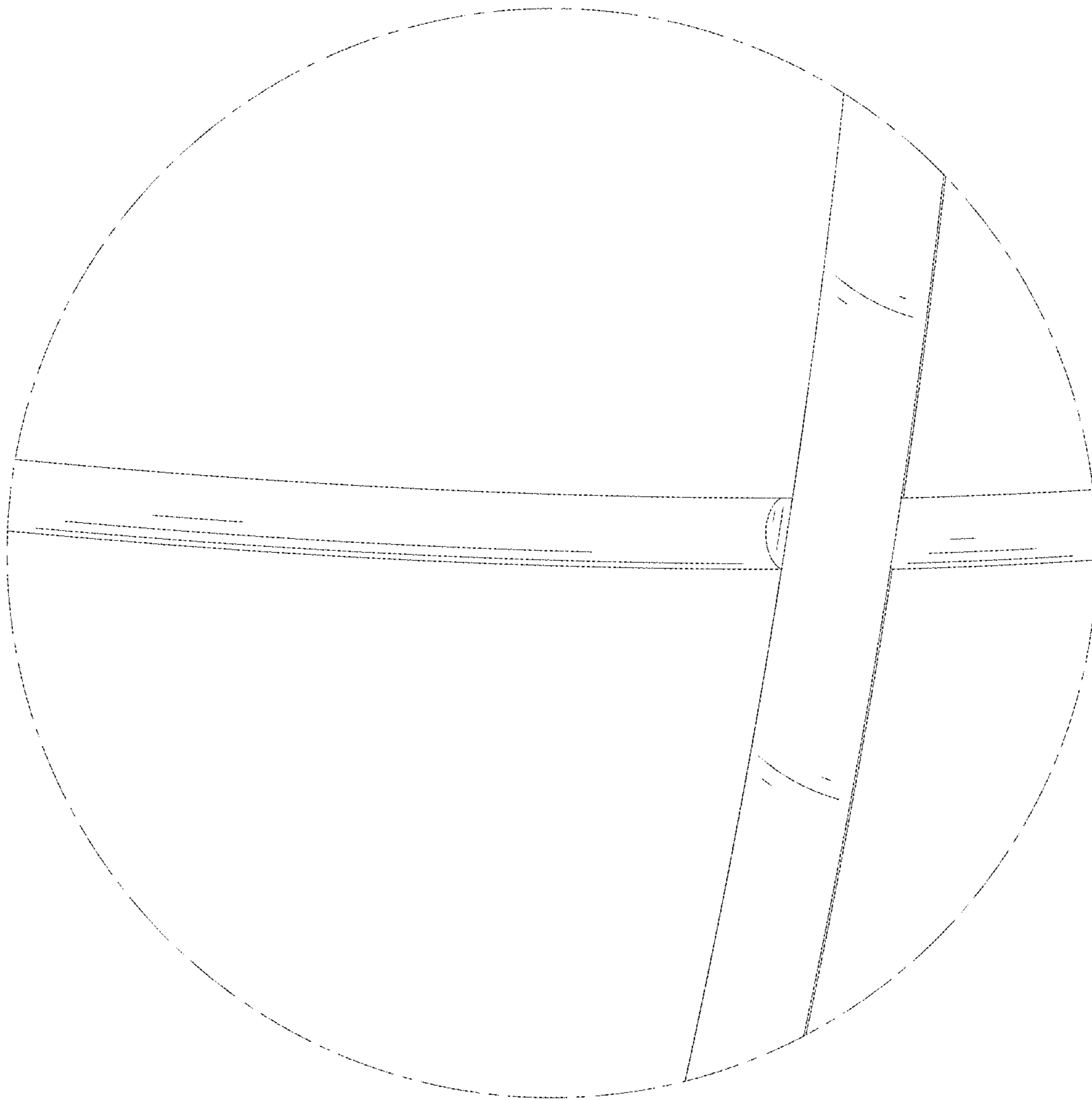


FIG. 9

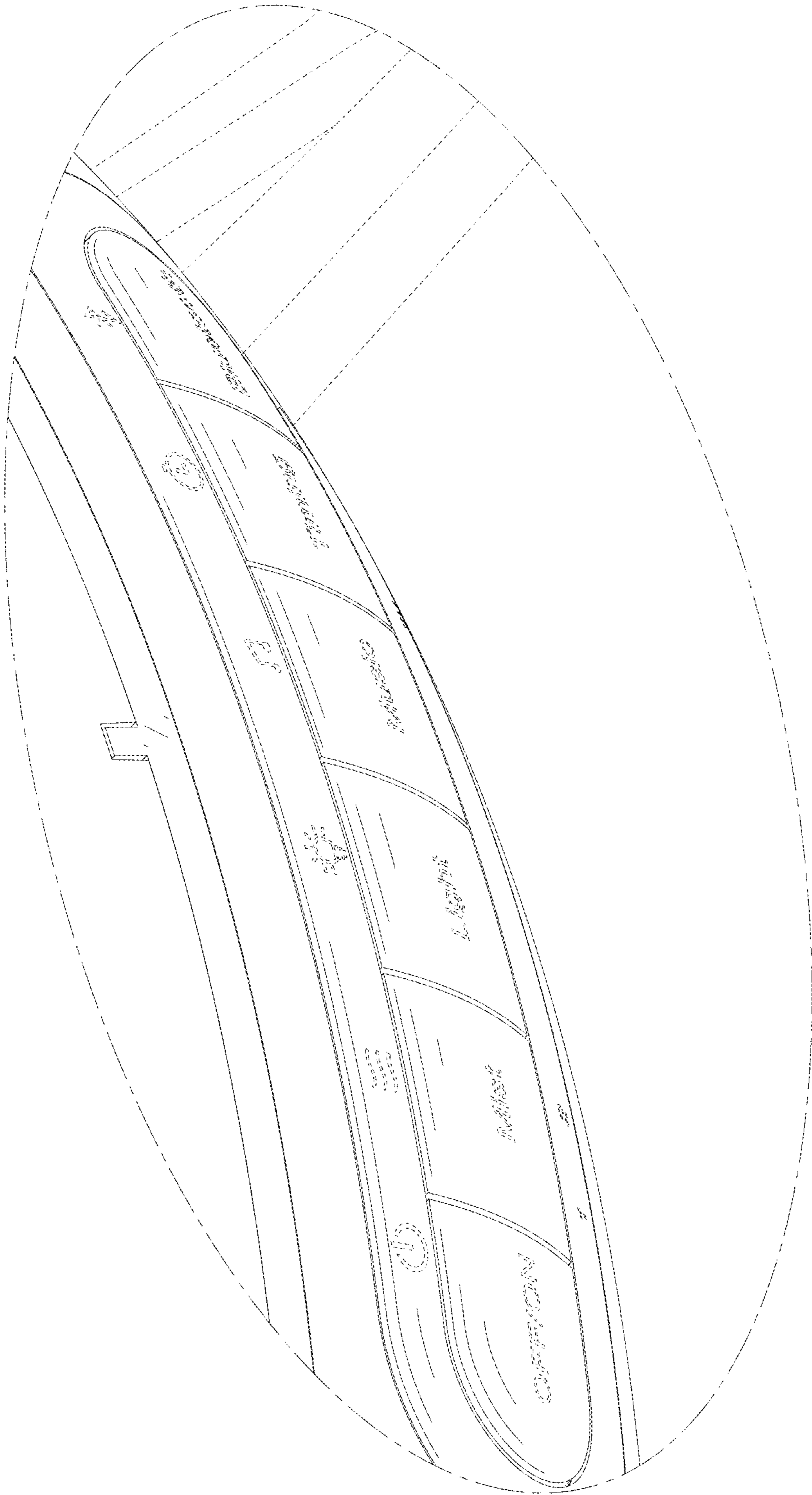


FIG. 10