



US00D983346S

(12) **United States Design Patent**
Momozaki

(10) **Patent No.:** **US D983,346 S**

(45) **Date of Patent:** **** Apr. 11, 2023**

(54) **OZONE GENERATOR**

(71) Applicant: **NGK SPARK PLUG CO., LTD.**,
Nagoya (JP)

(72) Inventor: **Akihiro Momozaki**, Tokyo (JP)

(73) Assignee: **NGK SPARK PLUG CO., LTD.**,
Nagoya (JP)

(**) Term: **15 Years**

(21) Appl. No.: **29/801,002**

(22) Filed: **Jul. 26, 2021**

(30) **Foreign Application Priority Data**

Jan. 27, 2021 (JP) 2021001681 D

(51) **LOC (14) Cl.** **23-04**

(52) **U.S. Cl.**
USPC **D23/366**

(58) **Field of Classification Search**

USPC D23/213, 314, 332-336, 341, 355-369,
D23/370, 378; D26/26, 40, 46, 49, 97,
D26/123, 124; D14/125, 188, 194, 195,
D14/204, 216, 221, 228, 240, 253, 348,
D14/350, 358, 496; D21/332; D11/143,
D11/146, 152, 153; D9/558

CPC A61L 9/03; A61L 9/04; A61L 9/05; A61L
9/12; A61L 9/14; A61L 9/012; A61L
9/015; A61L 9/048; A61L 9/122; A61L
9/127; A61L 9/205; A61L 2209/11; A61L
2209/14; A61L 2209/133; Y10S 261/17;
Y10S 261/88; Y10S 261/89; F24F 6/00;
F24F 6/06; F24F 1/00; F24F 1/02; F24F
1/022; G05G 1/08; H05K 5/03; H01H
19/00; F16H 59/08

See application file for complete search history.

(56) **References Cited**

U.S. PATENT DOCUMENTS

D307,938 S 5/1990 Fish
D403,414 S * 12/1998 Shelton D23/365
D652,497 S * 1/2012 Troxell D23/365
D818,097 S 5/2018 Cho et al.

(Continued)

FOREIGN PATENT DOCUMENTS

CN 302256396 S 12/2012
CN 302944989 S 9/2014

(Continued)

OTHER PUBLICATIONS

Electric Air Conditioner. "NGK Test Results." www.ngksparkplugs.com. Test Results for air contamination elimination. Thurs. Jan. 19, 2023. Shown in p. 2. Full URL: https://www.ngkntk.co.jp/english/news/detail/002422.html (Year: 2021).*

Primary Examiner — Gino Colan

Assistant Examiner — David OBrien

(74) *Attorney, Agent, or Firm* — Stites & Harbison,
PLLC; Jeffrey A. Haerberlin

(57) **CLAIM**

The ornamental design for an ozone generator, as shown and described.

DESCRIPTION

FIG. 1 is a top perspective view of an ozone generator showing my design;

FIG. 2 is a bottom perspective view thereof;

FIG. 3 is a front view thereof, a rear view being a mirror image thereof;

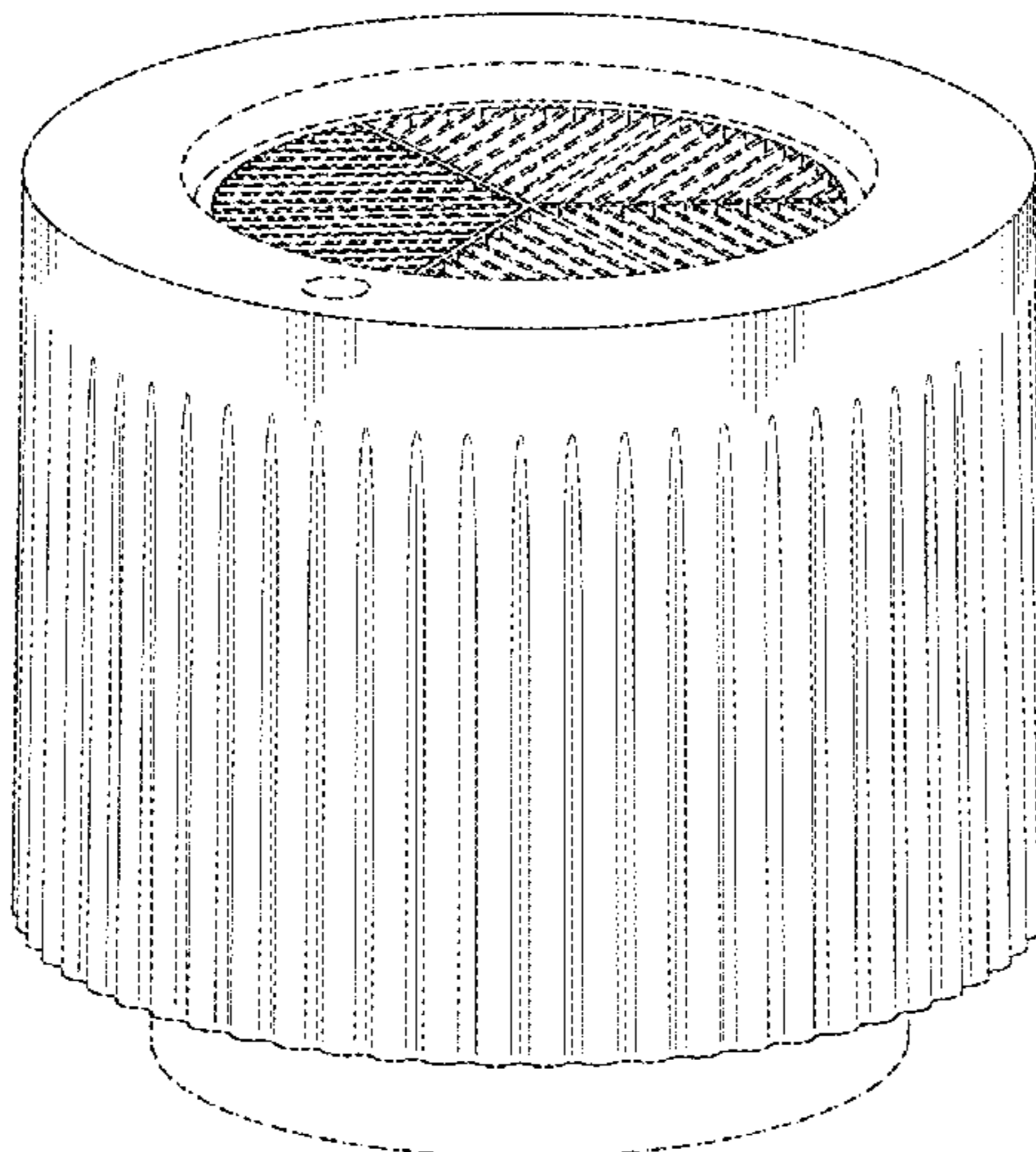
FIG. 4 is a left side view thereof, a right side view being a mirror image thereof;

FIG. 5 is a top plan view thereof; and,

FIG. 6 is a bottom plan view thereof.

The broken lines shown represent portions of the ozone generator that form no part of the claimed design.

1 Claim, 6 Drawing Sheets



(56)

References Cited

U.S. PATENT DOCUMENTS

D842,446 S 3/2019 Wen
D897,513 S * 9/2020 Huang D23/356
D902,368 S 11/2020 Zhong et al.
D951,231 S * 5/2022 Kuang D14/216
D972,109 S * 12/2022 Lee D23/366
D973,193 S * 12/2022 Qi D23/366
2015/0331441 A1* 11/2015 Ho H05K 5/03
361/752
2016/0170436 A1* 6/2016 Farrar G05G 1/08
345/184
2016/0245396 A1* 8/2016 Behounek F16H 59/08

FOREIGN PATENT DOCUMENTS

CN 303481448 S 12/2015
CN 303844531 S 9/2016
CN 304494988 S 2/2018
CN 305474121 S 12/2019
CN 305699414 S 4/2020
CN 305793774 S 5/2020
CN 305929871 S 7/2020
EM 002889998-0001 12/2015
EM 006609913-0001 7/2019

* cited by examiner

FIG. 1

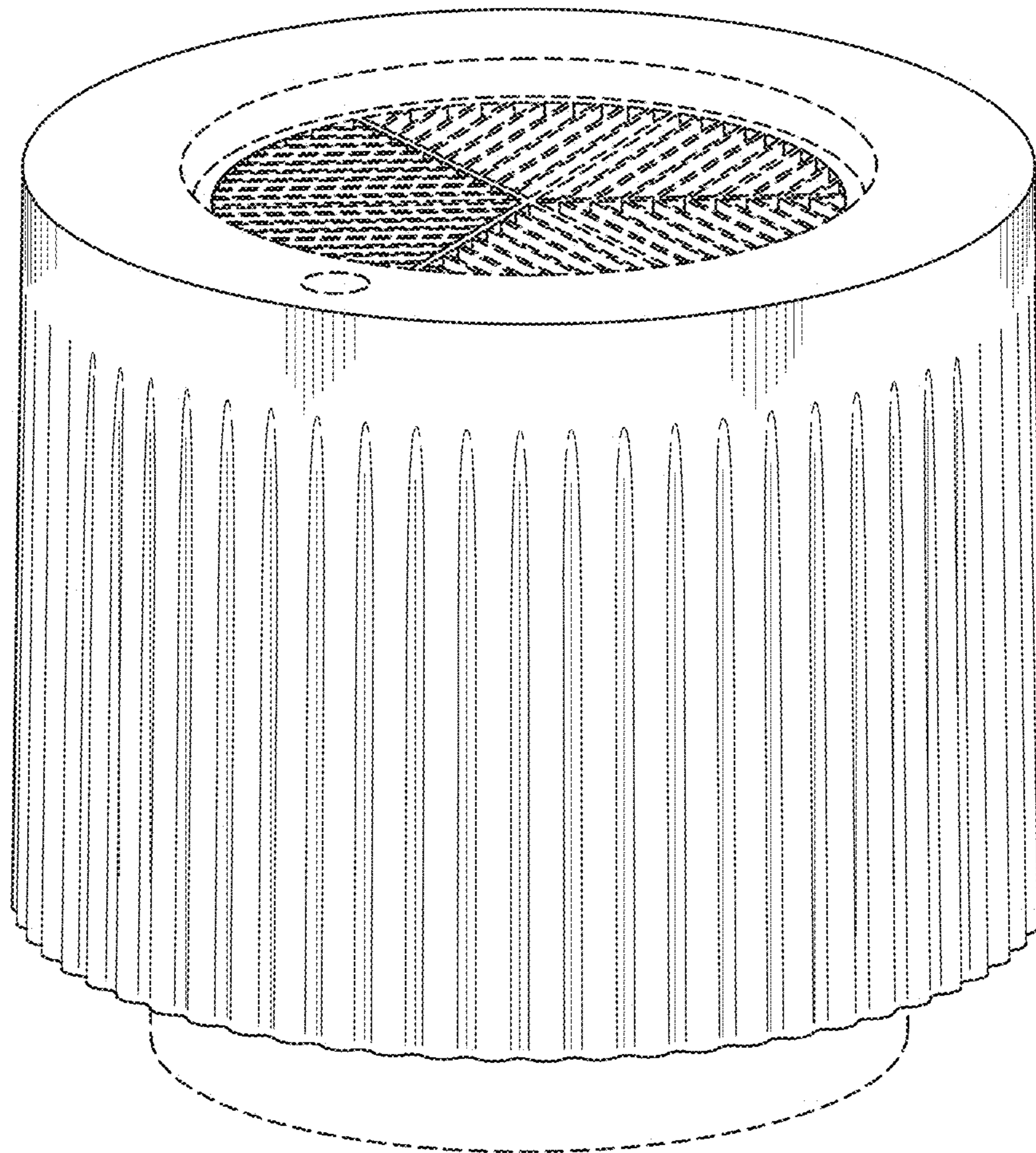


FIG. 2

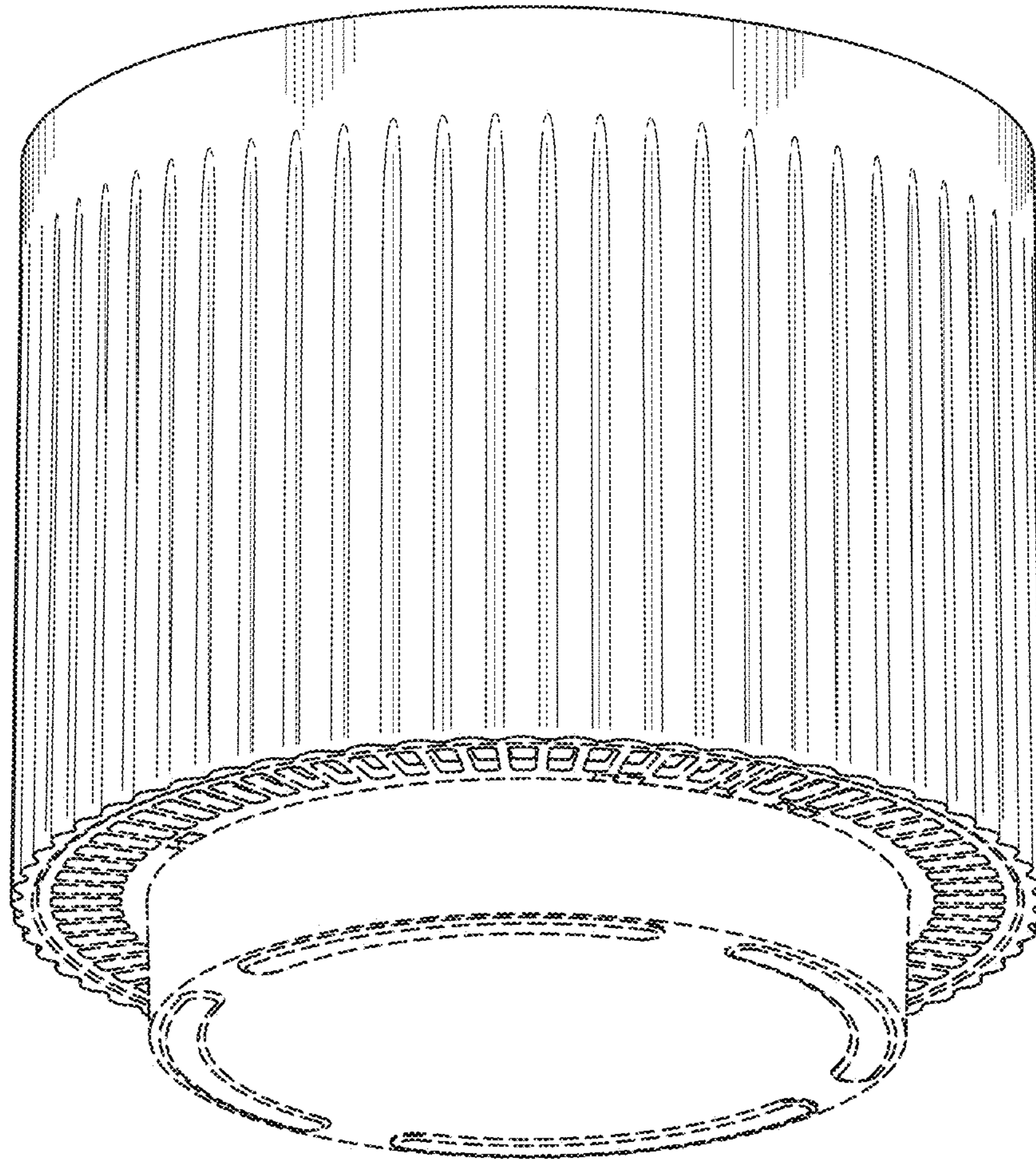


FIG. 3

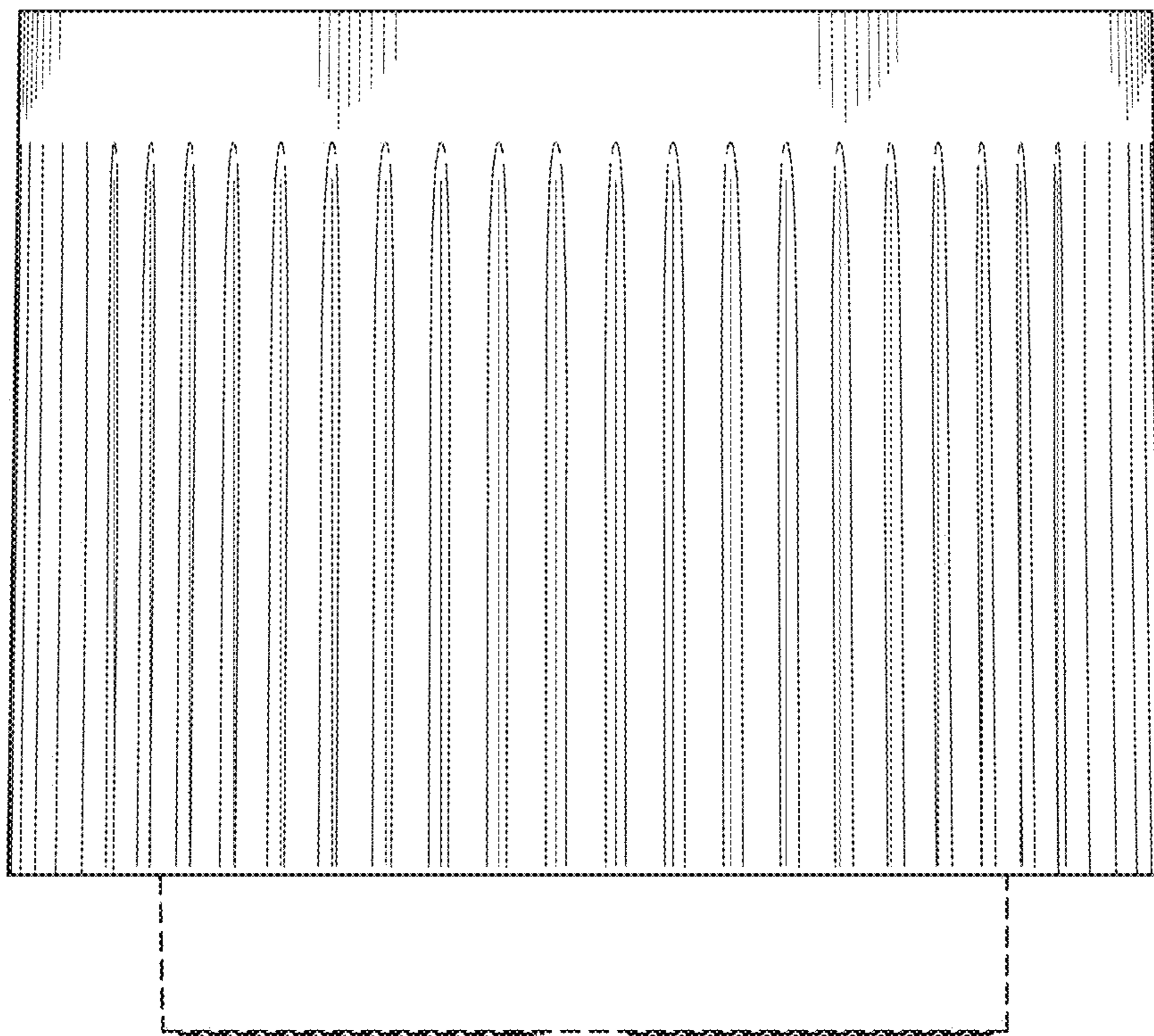


FIG. 4

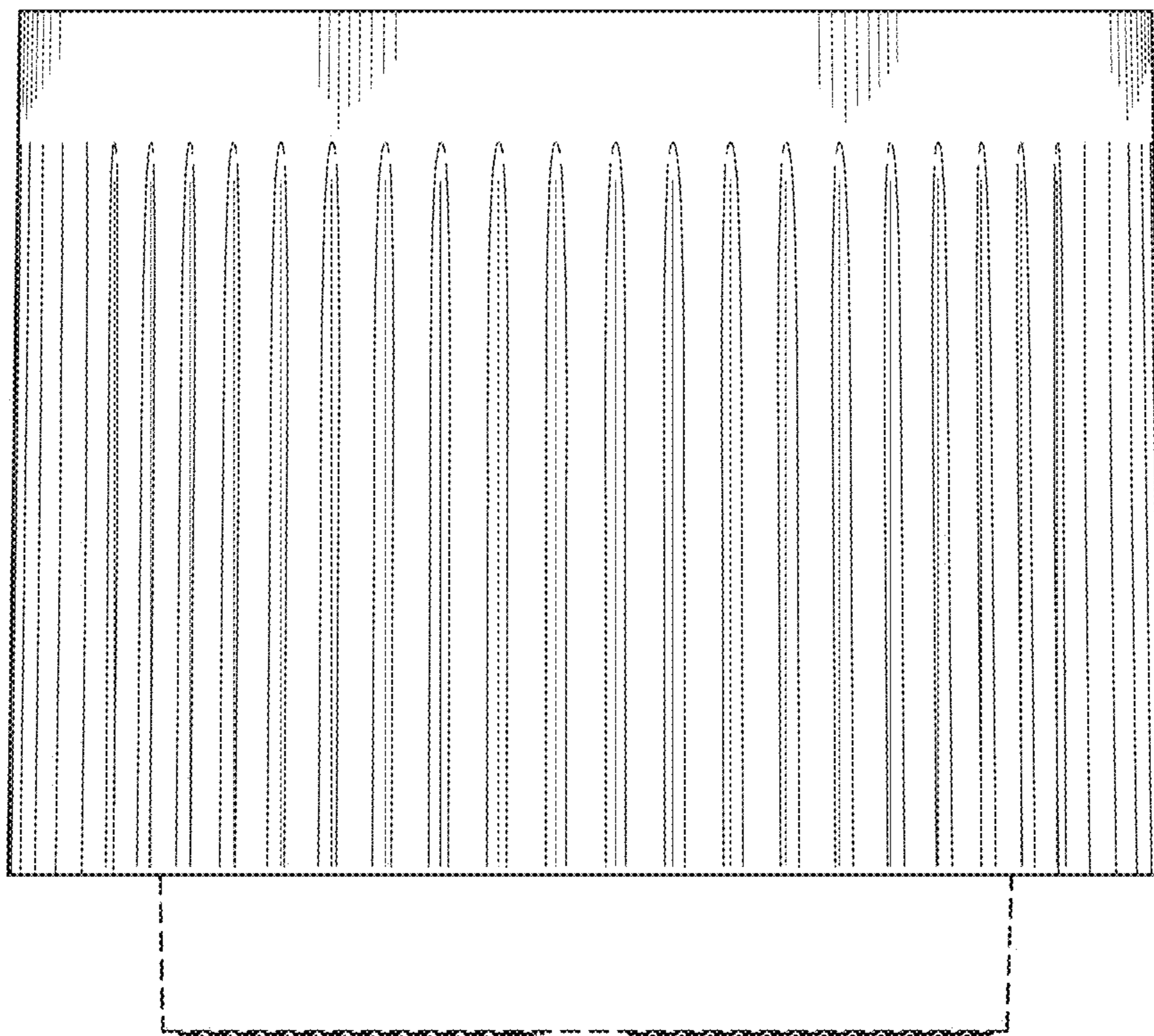


FIG. 5

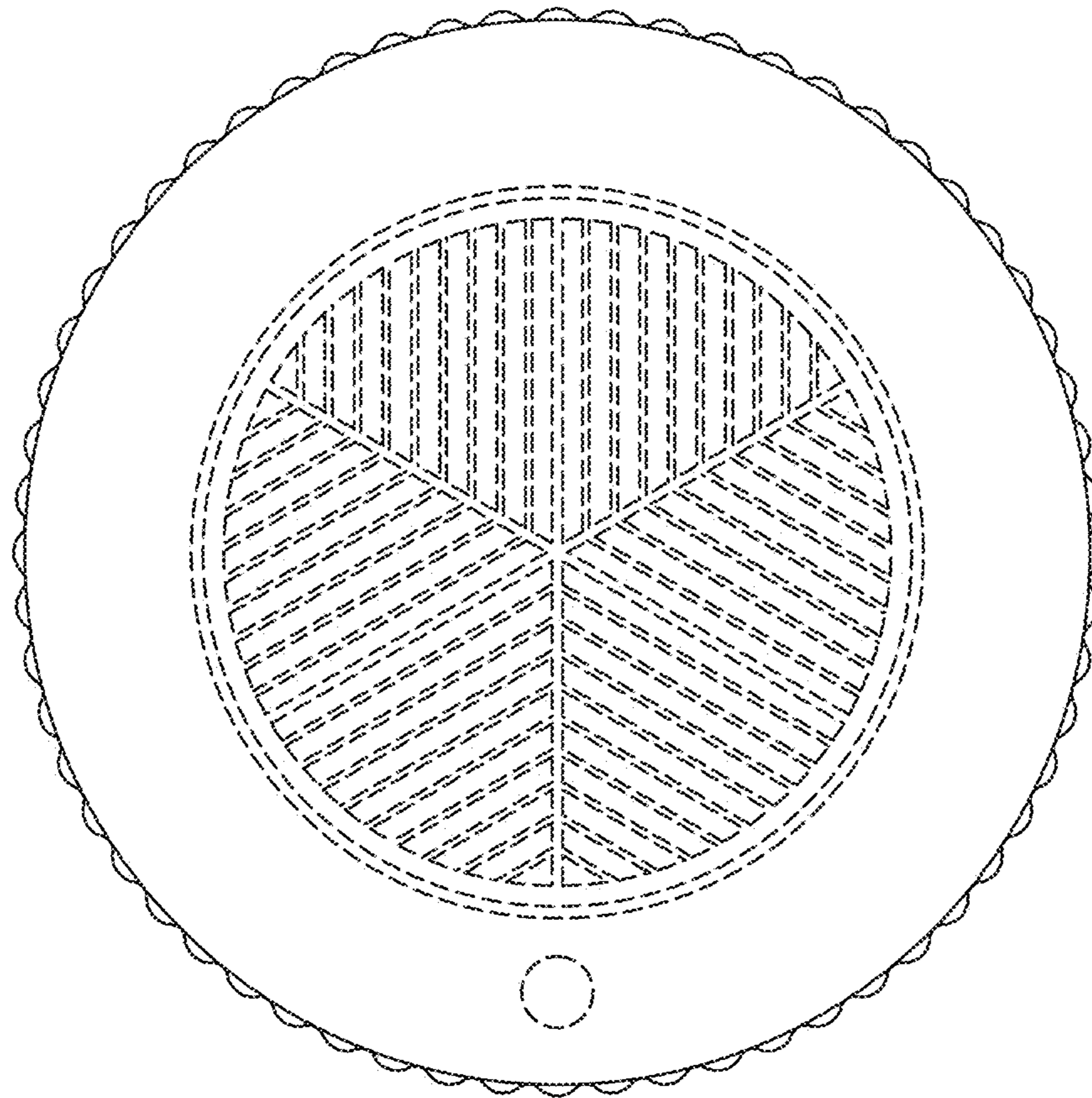


FIG. 6

