



US00D983343S

(12) **United States Design Patent**
Bishara

(10) **Patent No.:** **US D983,343 S**

(45) **Date of Patent:** **** Apr. 11, 2023**

(54) **AIR FRESHENER**

(71) Applicant: **Anan Bishara**, Brooklyn, NY (US)

(72) Inventor: **Anan Bishara**, Brooklyn, NY (US)

(**) Term: **15 Years**

(21) Appl. No.: **29/772,986**

(22) Filed: **Mar. 5, 2021**

(51) **LOC (14) Cl.** **23-01**

(52) **U.S. Cl.**
USPC **D23/366**

(58) **Field of Classification Search**
USPC D23/213, 332, 333, 336, 355-369, 370,
D23/386, 388; D26/26, 40, 46, 49, 97,
D26/123, 124; D14/125, 195, 204, 221,
D14/228, 253, 348, 358, 496; D12/415;
D3/211; D15/5; D9/420, 421, 551;
D27/189

CPC A61L 9/03; A61L 9/04; A61L 9/05; A61L
9/12; A61L 9/14; A61L 9/012; A61L
9/015; A61L 9/048; A61L 9/122; A61L
9/127; A61L 2209/11; A61L 2209/14;
A61L 2209/133; Y10S 261/17; Y10S
261/88; Y10S 261/89; H04B 1/3877;
A45C 11/008; A45D 33/26; B65D 25/04;
B65D 43/162

See application file for complete search history.

D458,992 S *	6/2002	Lincoln	D23/366
D532,893 S	11/2006	Wu		
D538,912 S	3/2007	Kaplan		
D591,415 S	4/2009	Wu		
D604,825 S	11/2009	Brandenburg		
7,687,038 B2	3/2010	Wheatley		
7,780,094 B2	8/2010	Caserta		
D643,100 S	8/2011	Whitehead		
8,021,618 B1	9/2011	Cooper		
8,721,986 B2	5/2014	Chabot		
D733,280 S	6/2015	Bourne		
D739,000 S	9/2015	Berton		
D742,497 S *	11/2015	D'Amico	D23/366
D748,769 S *	2/2016	Hanna	D23/366
D748,770 S *	2/2016	Hanna	D23/366
D749,203 S *	2/2016	D'Amico	D23/366
D762,294 S *	7/2016	Hanna	D23/366
10,328,169 B2	6/2019	Marschall		
10,427,502 B1	10/2019	Izaguirre		
10,493,177 B2	12/2019	Knapp		
D912,763 S *	3/2021	Huang	D23/209
D956,200 S *	6/2022	Cui	D23/364
2002/0197187 A1	12/2002	Murray		

(Continued)

Primary Examiner — Gino Colan

Assistant Examiner — David OBrien

(74) *Attorney, Agent, or Firm* — Goldstein Law Offices,
P.C.

(57) **CLAIM**

The ornamental design for an air freshener, as shown and described.

DESCRIPTION

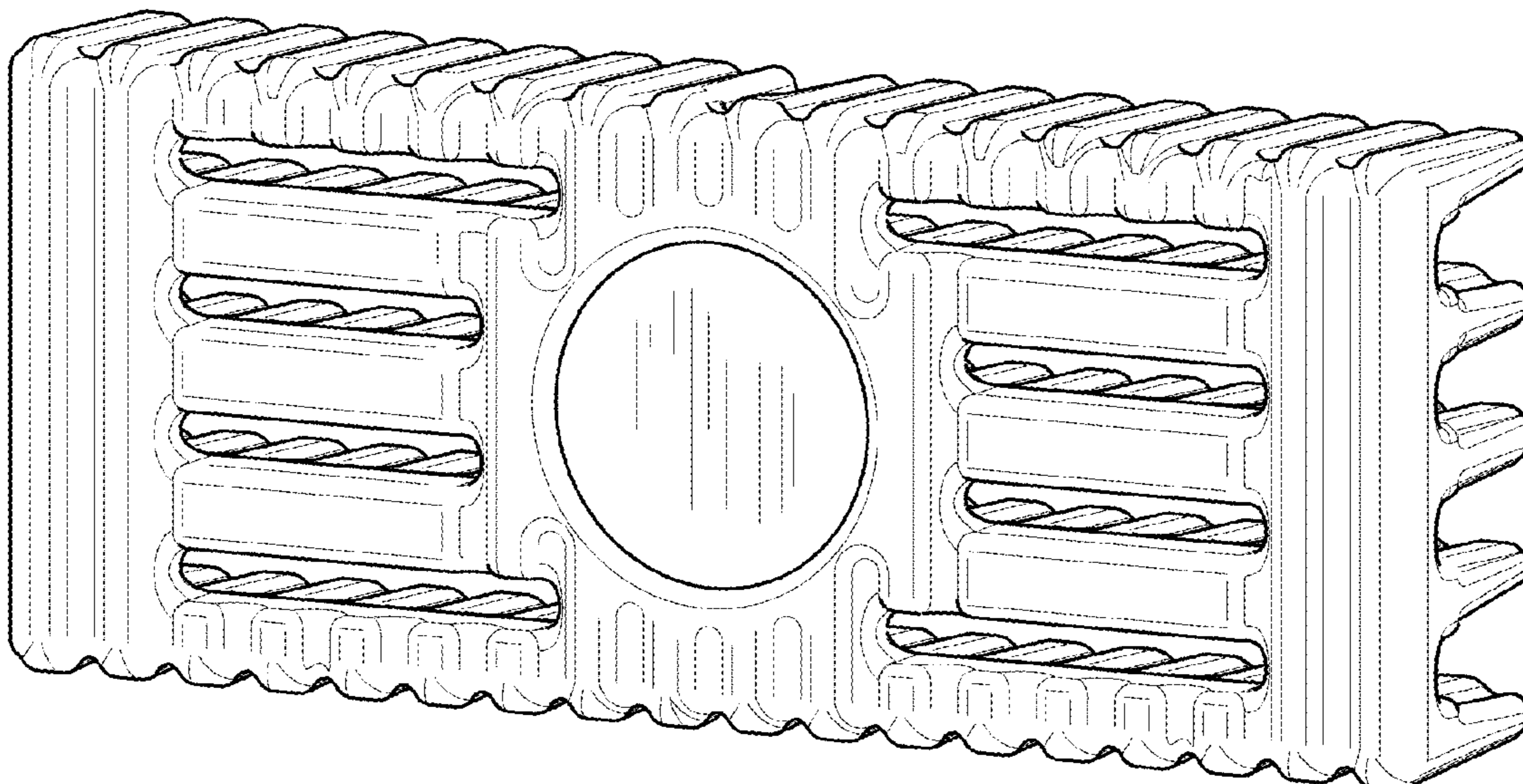
FIG. 1 is a perspective view of the air freshener.
FIG. 2 is a top plan view of the air freshener.
FIG. 3 is a bottom plan view thereof.
FIG. 4 is a front elevational view thereof.
FIG. 5 is a rear elevational view thereof.
FIG. 6 is a left side elevational view thereof; and,
FIG. 7 is a right side elevational view thereof.

1 Claim, 4 Drawing Sheets

(56) **References Cited**

U.S. PATENT DOCUMENTS

4,065,262 A	12/1977	Petroff
4,523,870 A	6/1985	Spector
5,269,723 A	12/1993	Bender
D344,327 S	2/1994	Tavasso
5,762,549 A	6/1998	Scheuer
5,861,128 A	1/1999	Vick
6,103,201 A	8/2000	Green
6,117,218 A	9/2000	Snyder



(56)

References Cited

U.S. PATENT DOCUMENTS

2005/0169813	A1	8/2005	D'Amico
2007/0264169	A1	11/2007	Chen
2011/0139006	A1	6/2011	Mueller, Jr.
2011/0268615	A1	11/2011	Lackey
2012/0234117	A1	9/2012	Sanchez
2018/0140736	A1	5/2018	Webb

* cited by examiner

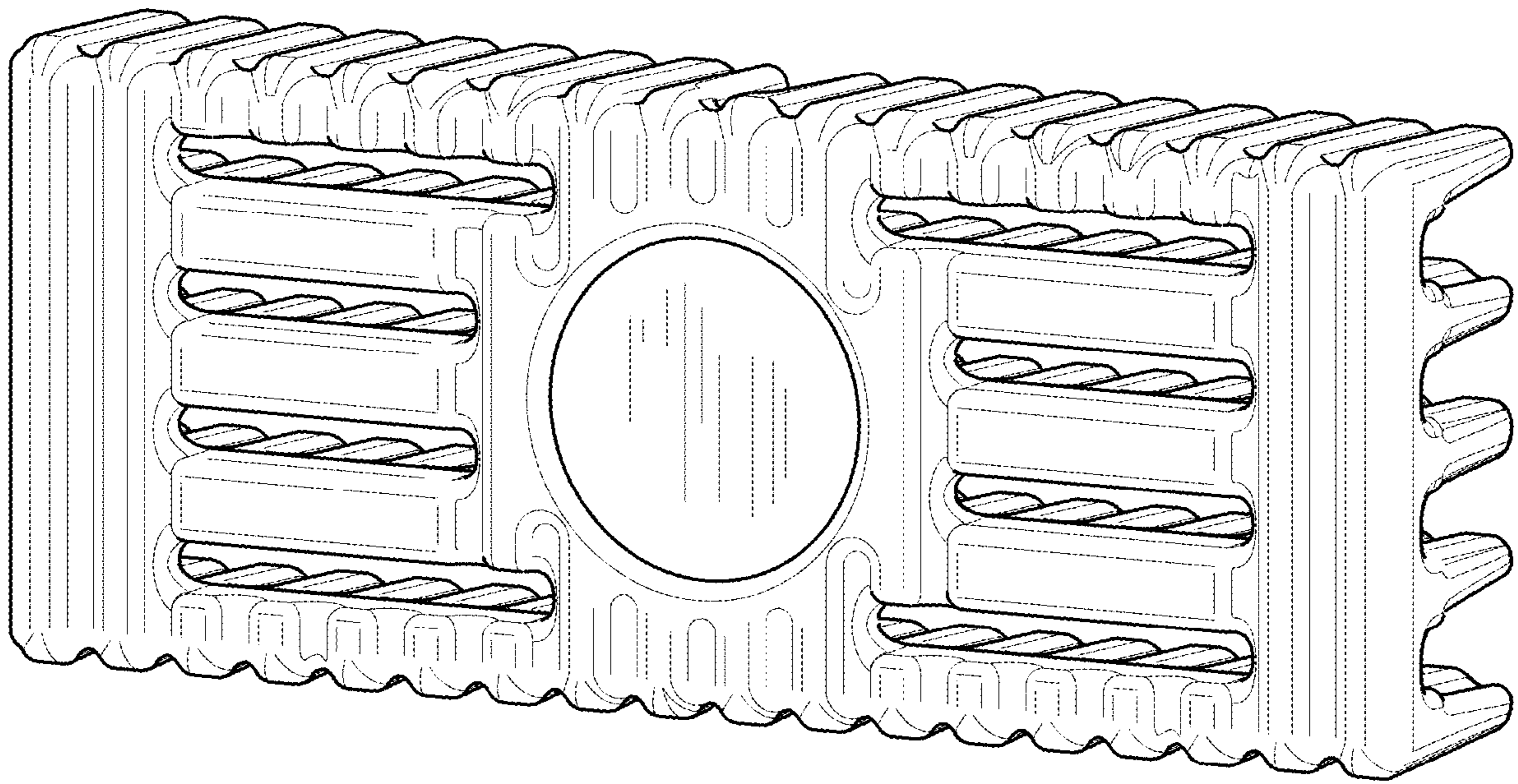


FIG. 1

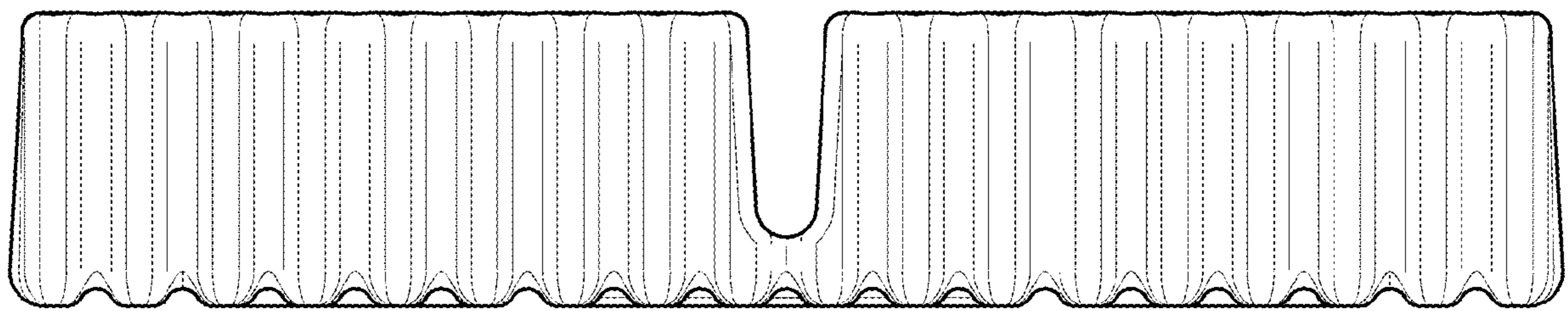


FIG. 2

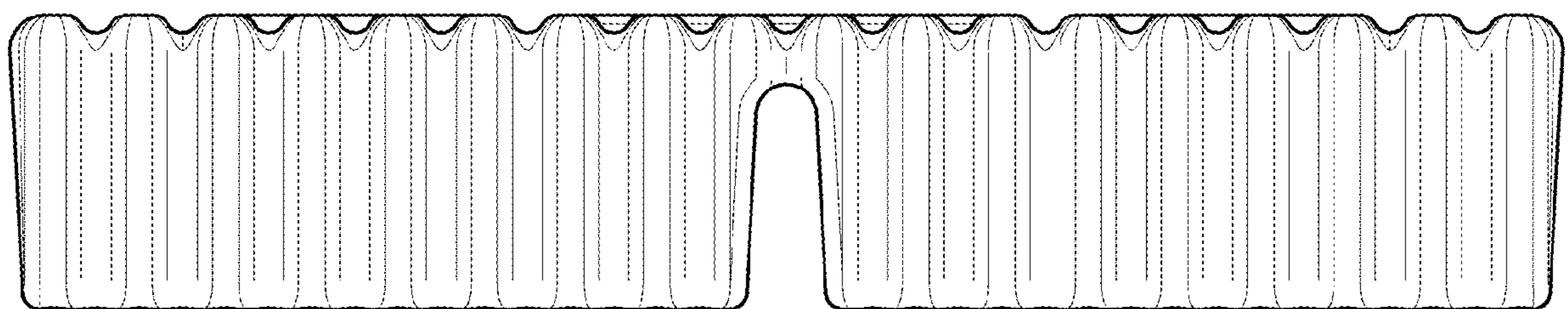


FIG. 3

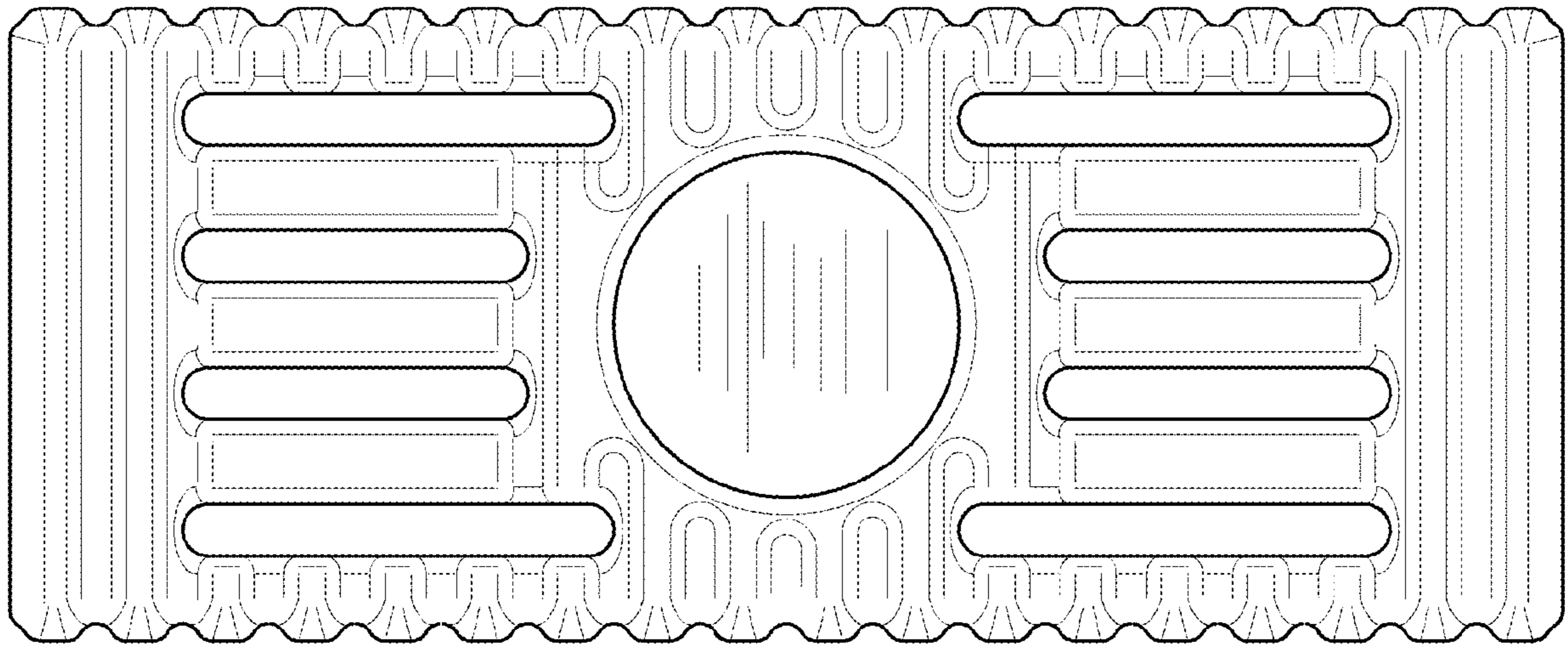


FIG. 4

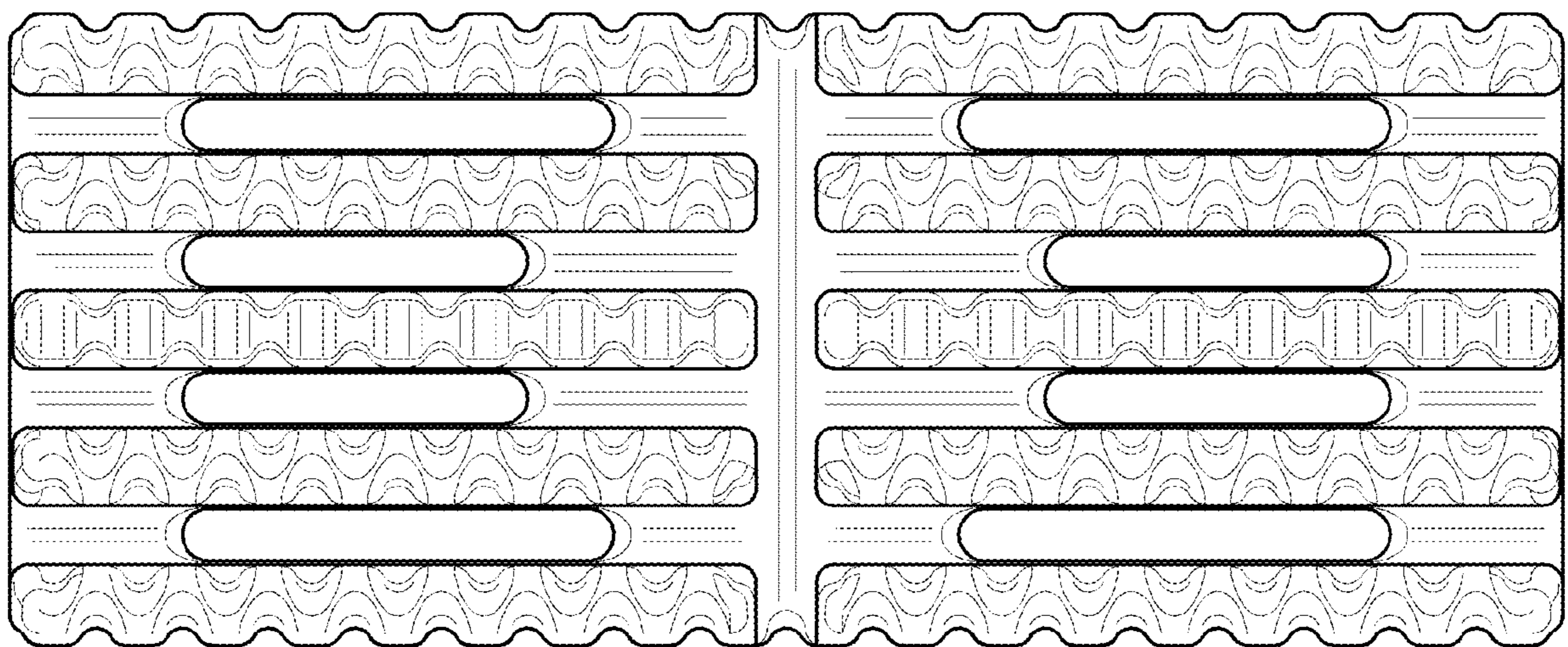


FIG. 5

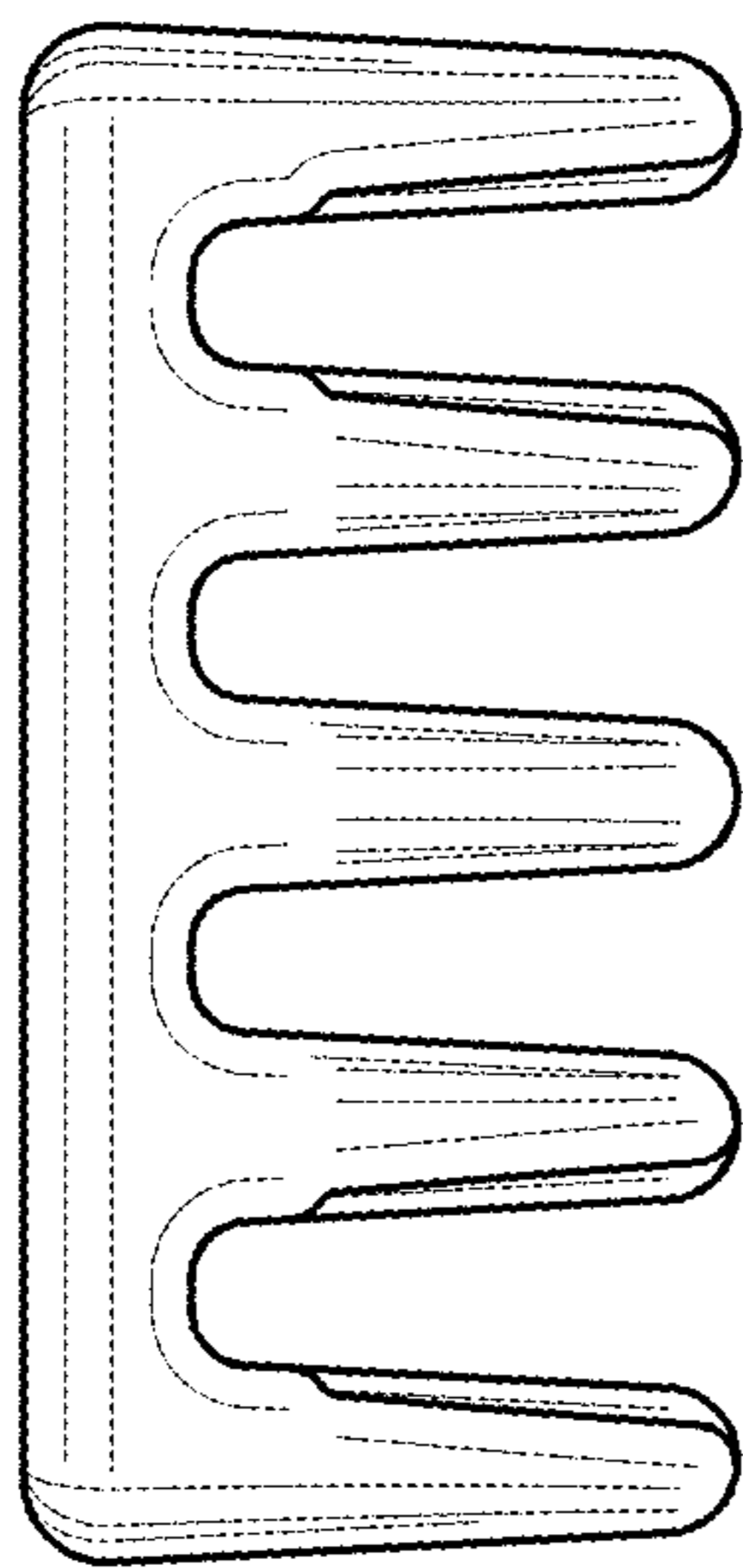


FIG. 6

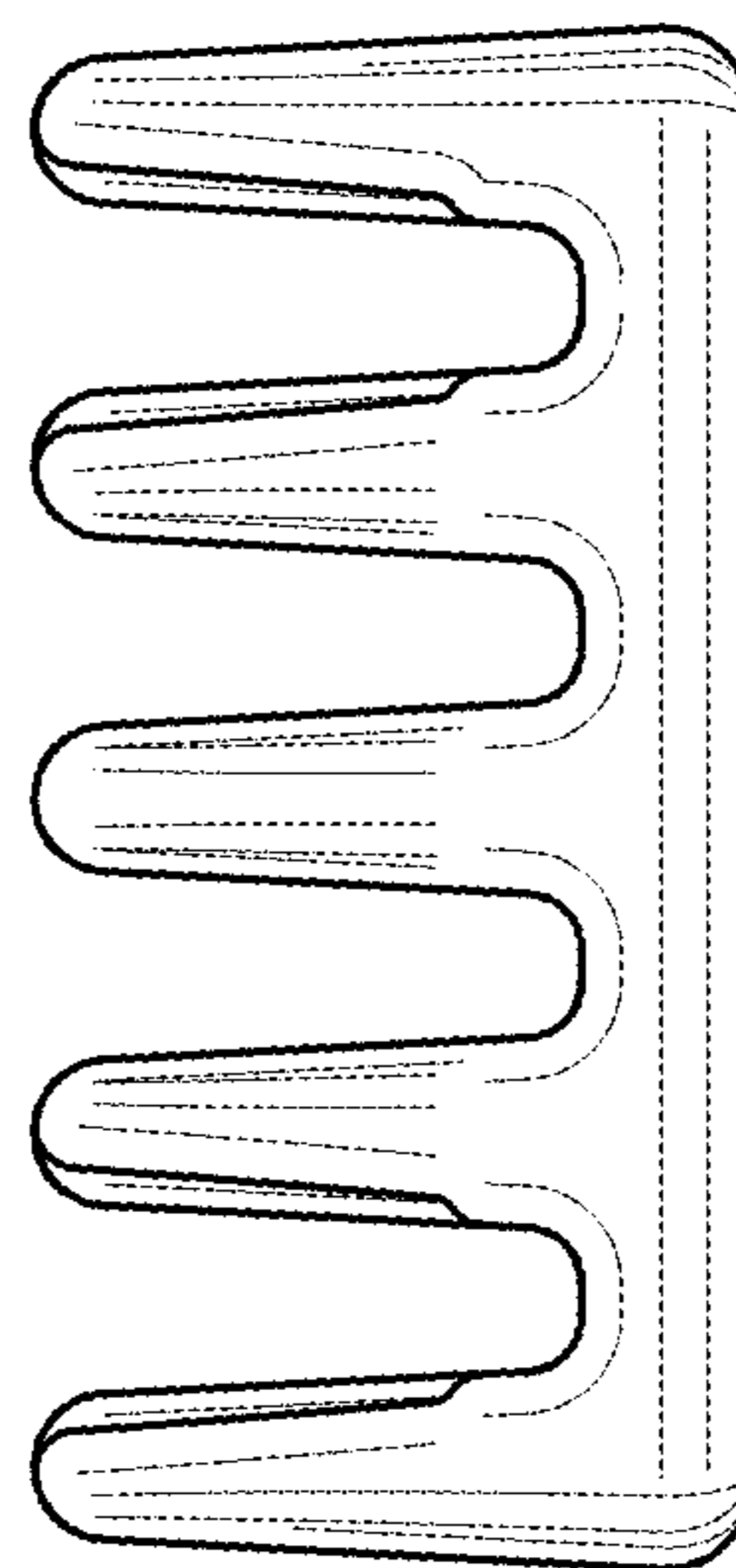


FIG. 7