



US00D983342S

(12) **United States Design Patent**  
**Li et al.**

(10) **Patent No.:** **US D983,342 S**  
(45) **Date of Patent:** **\*\* Apr. 11, 2023**

(54) **AIR PURIFIER**

(71) Applicant: **Guangdong Invitop Technology Co., Ltd., Zhongshan (CN)**

(72) Inventors: **Yisheng Li, Zhongshan (CN);  
Zhongming Liang, Zhongshan (CN)**

(73) Assignee: **Guangdong Invitop Technology Co., Ltd., Zhongshan (CN)**

(\*\*) Term: **15 Years**

(21) Appl. No.: **29/797,925**

(22) Filed: **Jul. 3, 2021**

(30) **Foreign Application Priority Data**

Jan. 6, 2021 (CN) ..... 202130006418.4

(51) **LOC (14) Cl.** ..... **23-04**

(52) **U.S. Cl.**  
USPC ..... **D23/364**

(58) **Field of Classification Search**  
USPC ..... D23/314, 332, 333, 335, 336, 355, 356,  
D23/364, 365, 366, 378  
CPC .... F24F 1/0022; F24F 3/14; F24F 6/06; F24F  
8/80; B01D 46/00281; B01D 46/0043;  
A61L 2209/12; A61L 2209/14  
See application file for complete search history.

(56) **References Cited**

**U.S. PATENT DOCUMENTS**

D690,000 S \* 9/2013 Spoerl ..... D23/378  
D692,547 S \* 10/2013 Wirz ..... D23/366  
D696,765 S \* 12/2013 Spoerl ..... D23/378  
D874,623 S \* 2/2020 Lupi ..... D23/333

D881,886 S \* 4/2020 Bidwell ..... D14/420  
D890,902 S \* 7/2020 Carling ..... D23/364  
D890,903 S \* 7/2020 Carling ..... D23/364  
D891,597 S \* 7/2020 Carling ..... D23/364  
D896,808 S \* 9/2020 Koh ..... D14/496  
D903,846 S \* 12/2020 MacQueen ..... D23/364  
D928,213 S \* 8/2021 Park ..... D15/199  
2016/0114069 A1 \* 4/2016 Huynh ..... A01M 1/2072  
261/142  
2020/0030736 A1 \* 1/2020 Yun ..... F24F 11/79

**FOREIGN PATENT DOCUMENTS**

CN 201930461393.X \* 4/2020

\* cited by examiner

*Primary Examiner* — Janice Hallmark

*Assistant Examiner* — Adedoyin Taiwo Odeyale

(74) *Attorney, Agent, or Firm* — Rahman LLC

(57) **CLAIM**

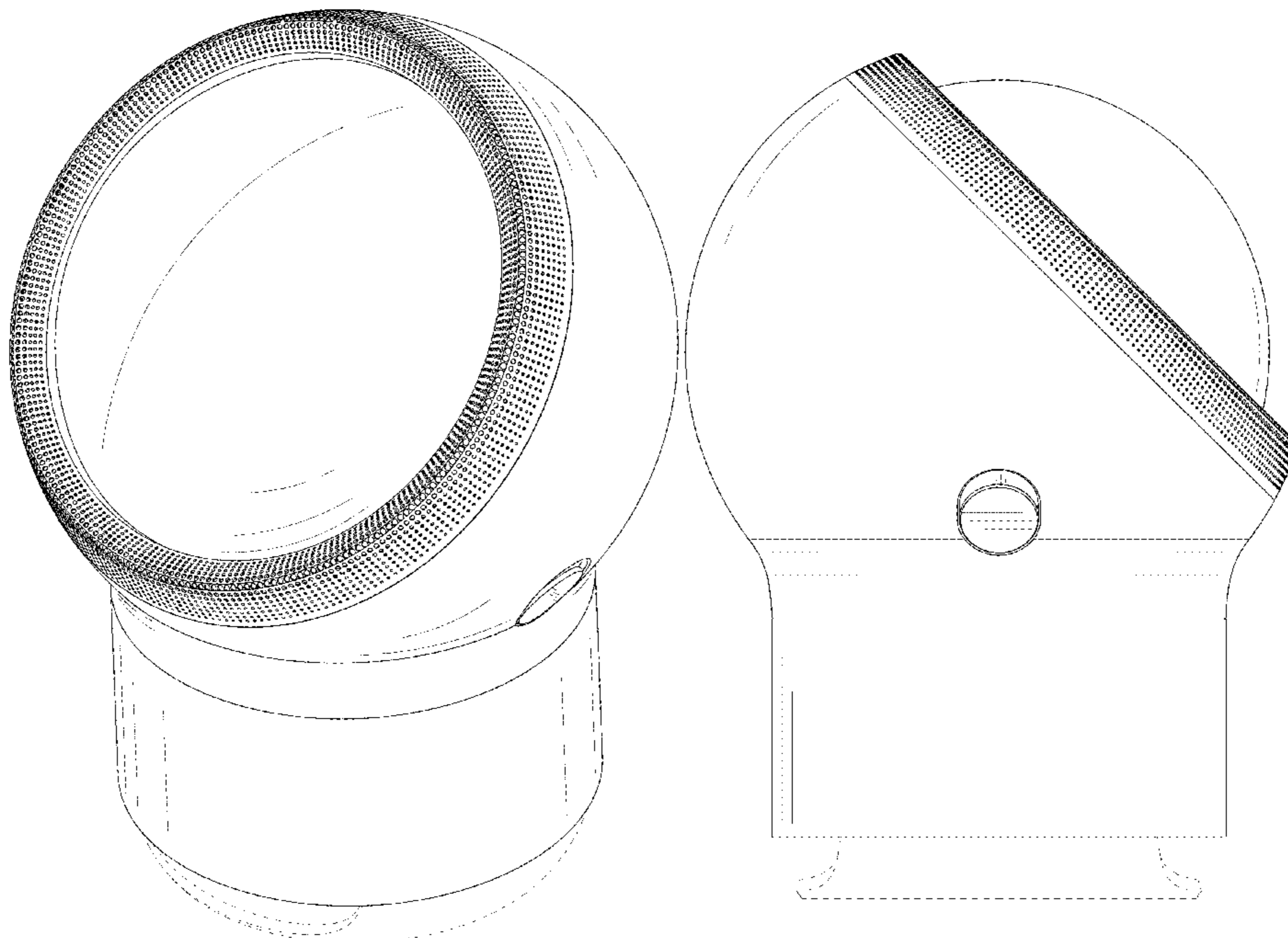
The ornamental design for an air purifier, as shown and described.

**DESCRIPTION**

FIG. 1 is a front perspective view of an air purifier showing our new design;  
FIG. 2 is a rear perspective view thereof;  
FIG. 3 is a front elevational view thereof;  
FIG. 4 is a rear elevational view thereof;  
FIG. 5 is a left-side elevational thereof;  
FIG. 6 is a right-side elevational thereof;  
FIG. 7 is a top plan view thereof; and,  
FIG. 8 is a bottom plan view thereof;

The broken lines shown in the drawings represent portions of the air purifier and form no part of the claimed design.

**1 Claim, 8 Drawing Sheets**



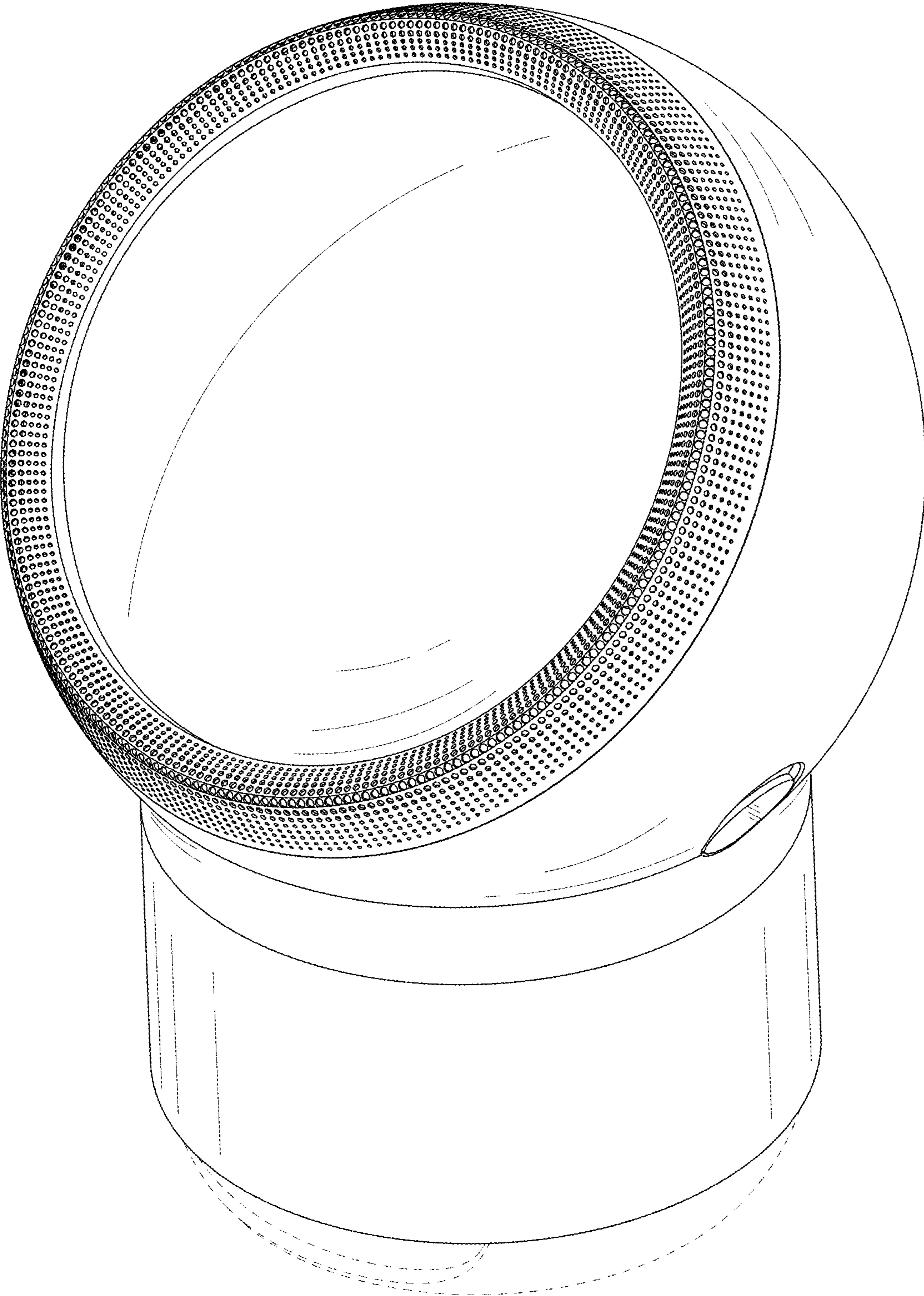


FIG. 1

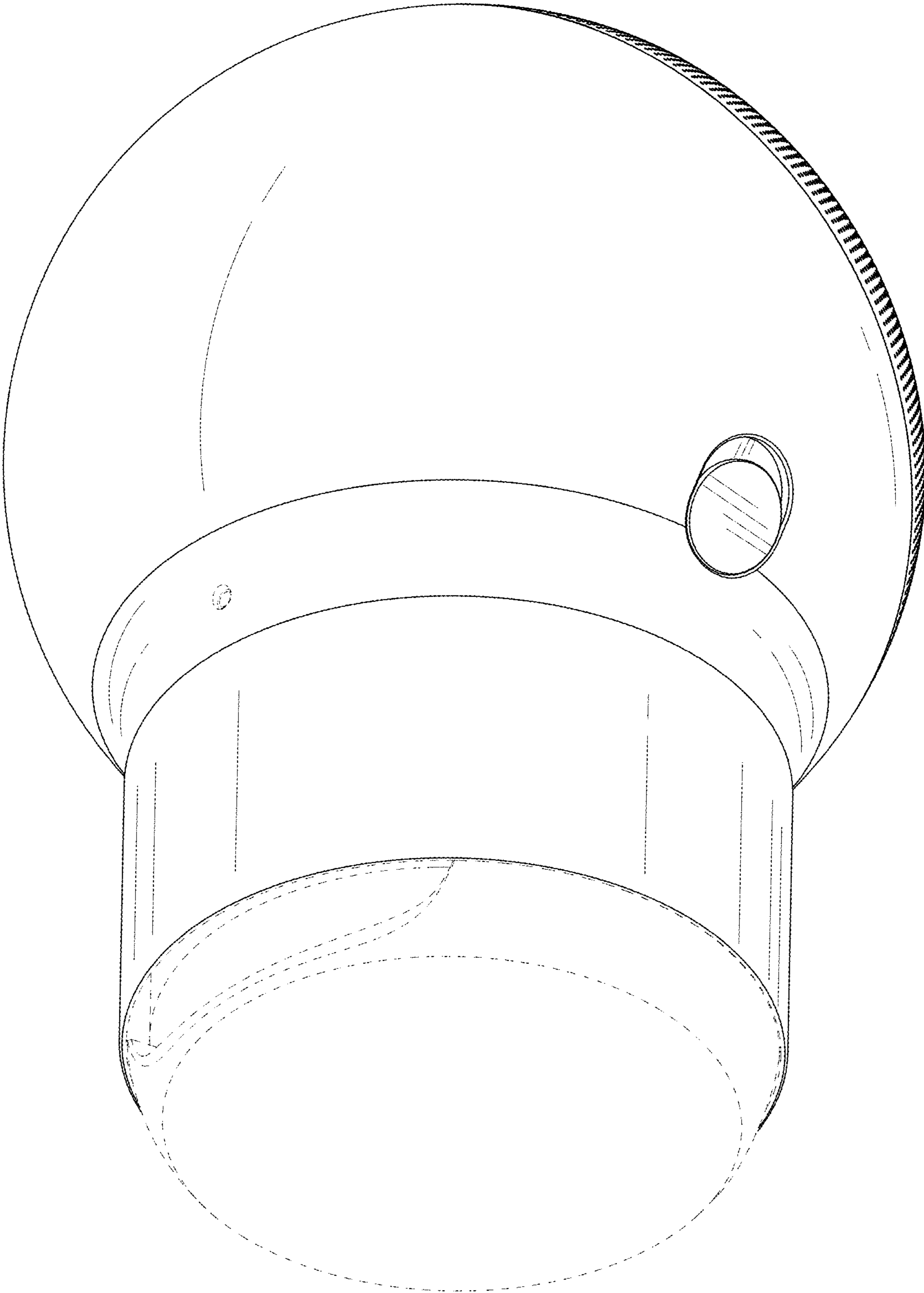


FIG. 2

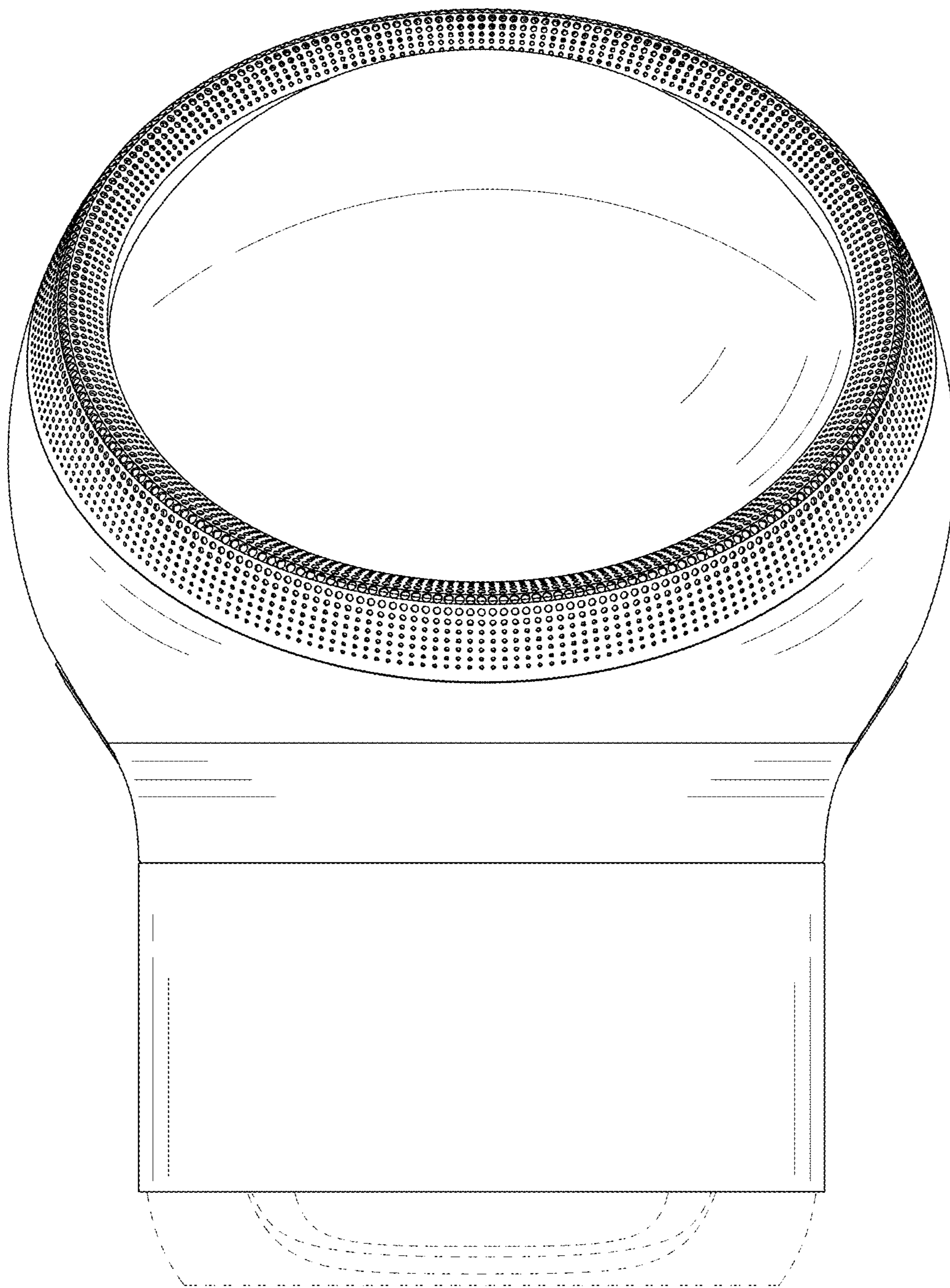


FIG. 3

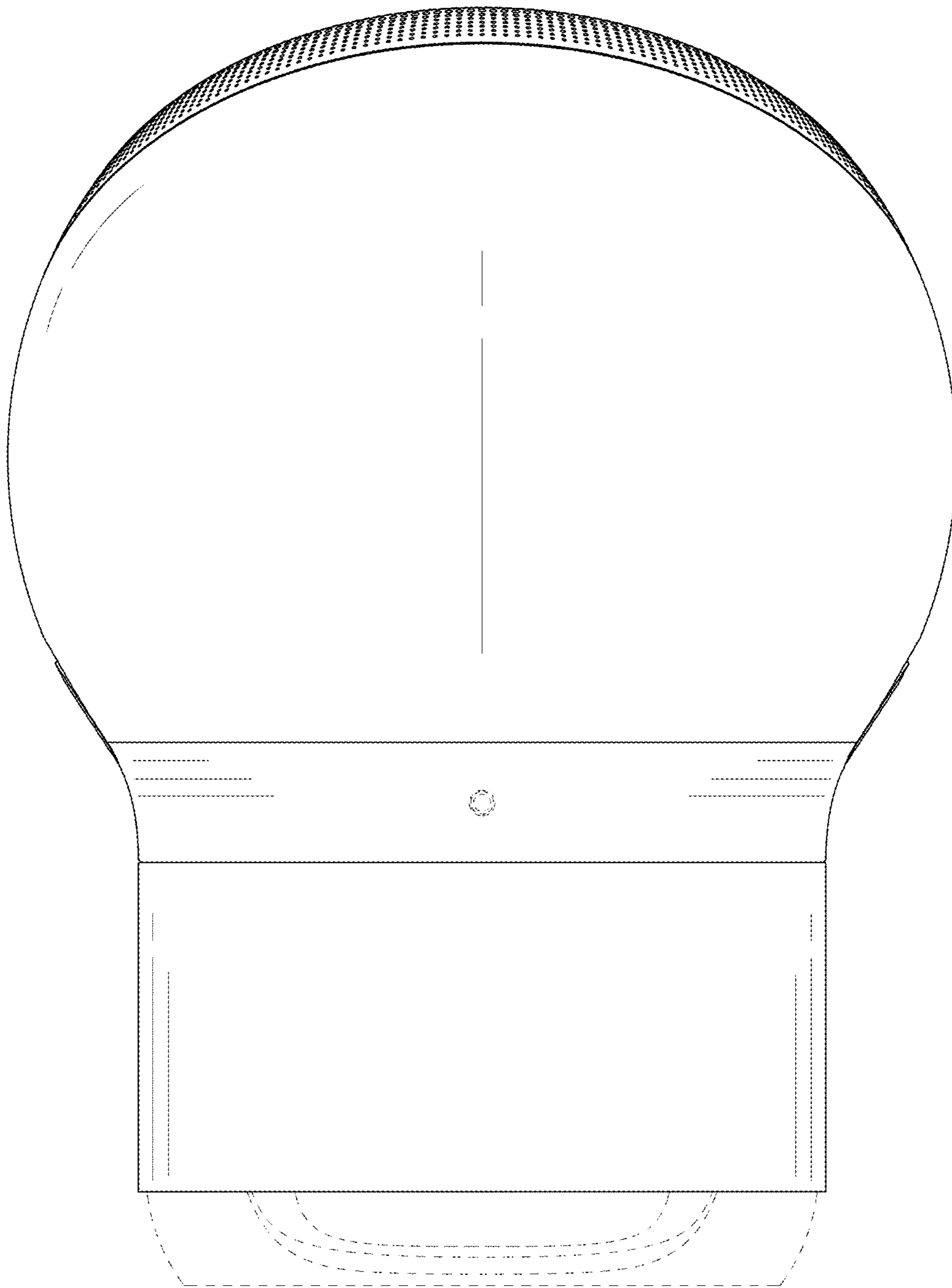


FIG. 4

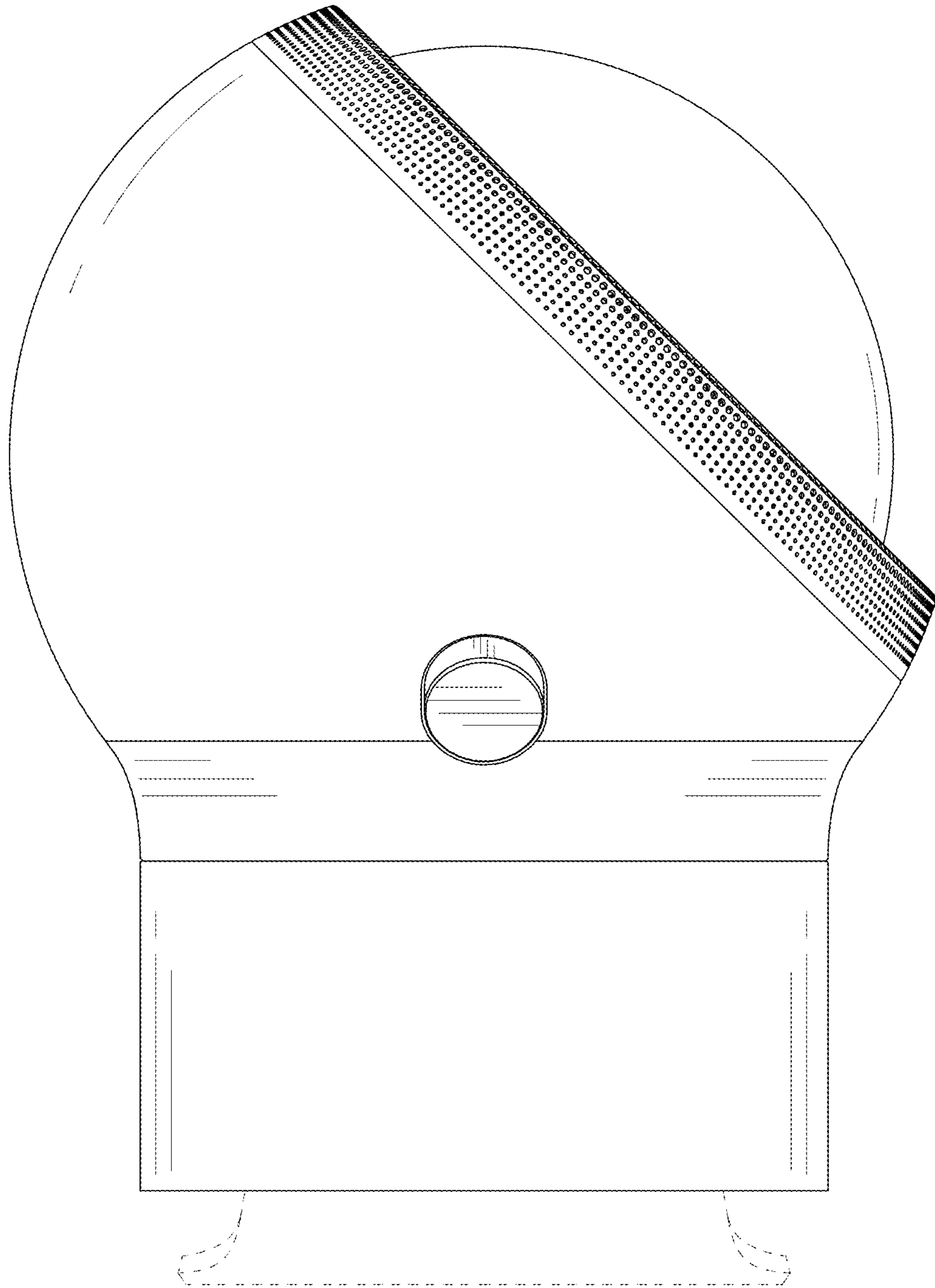


FIG. 5

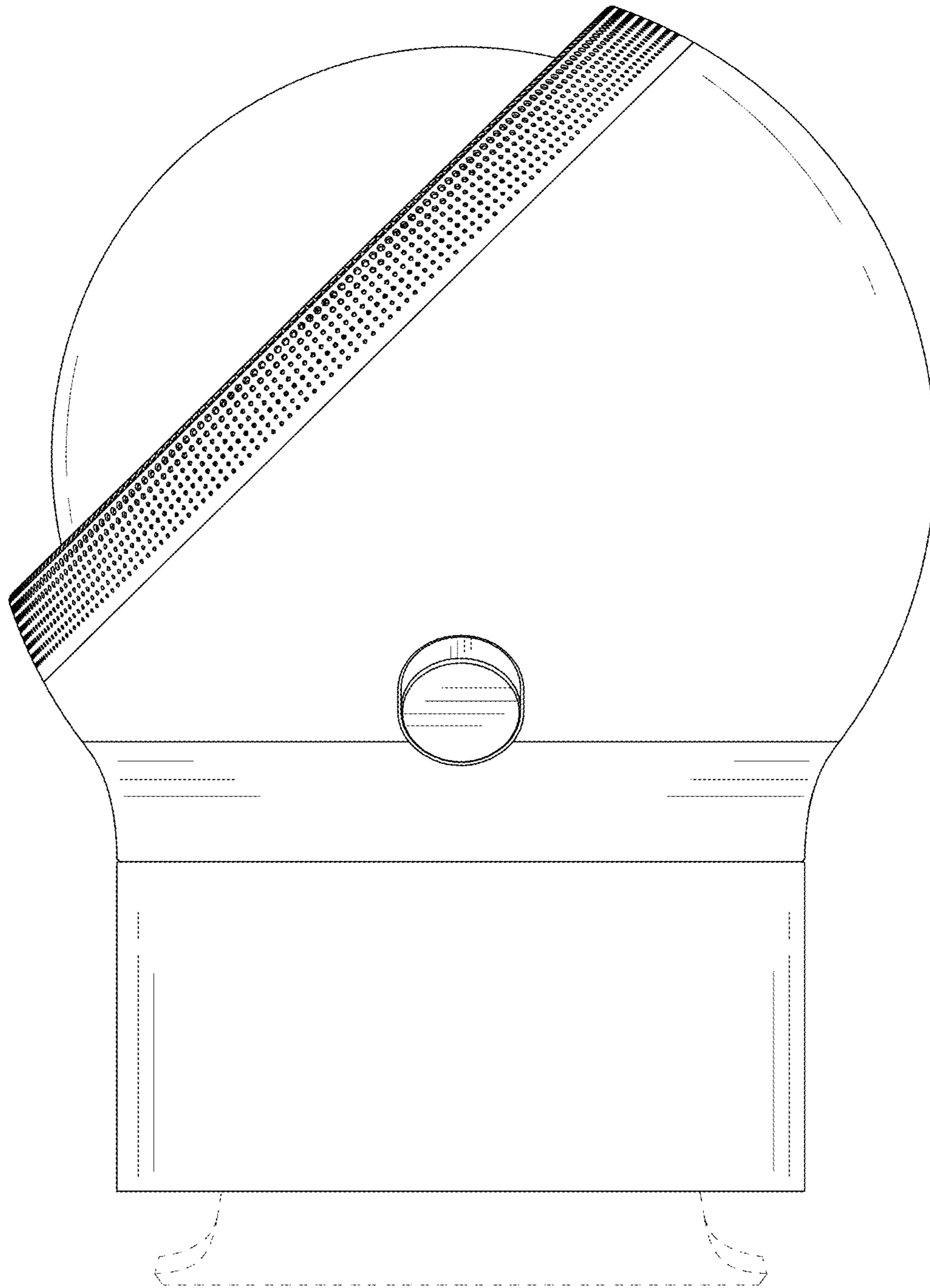


FIG. 6

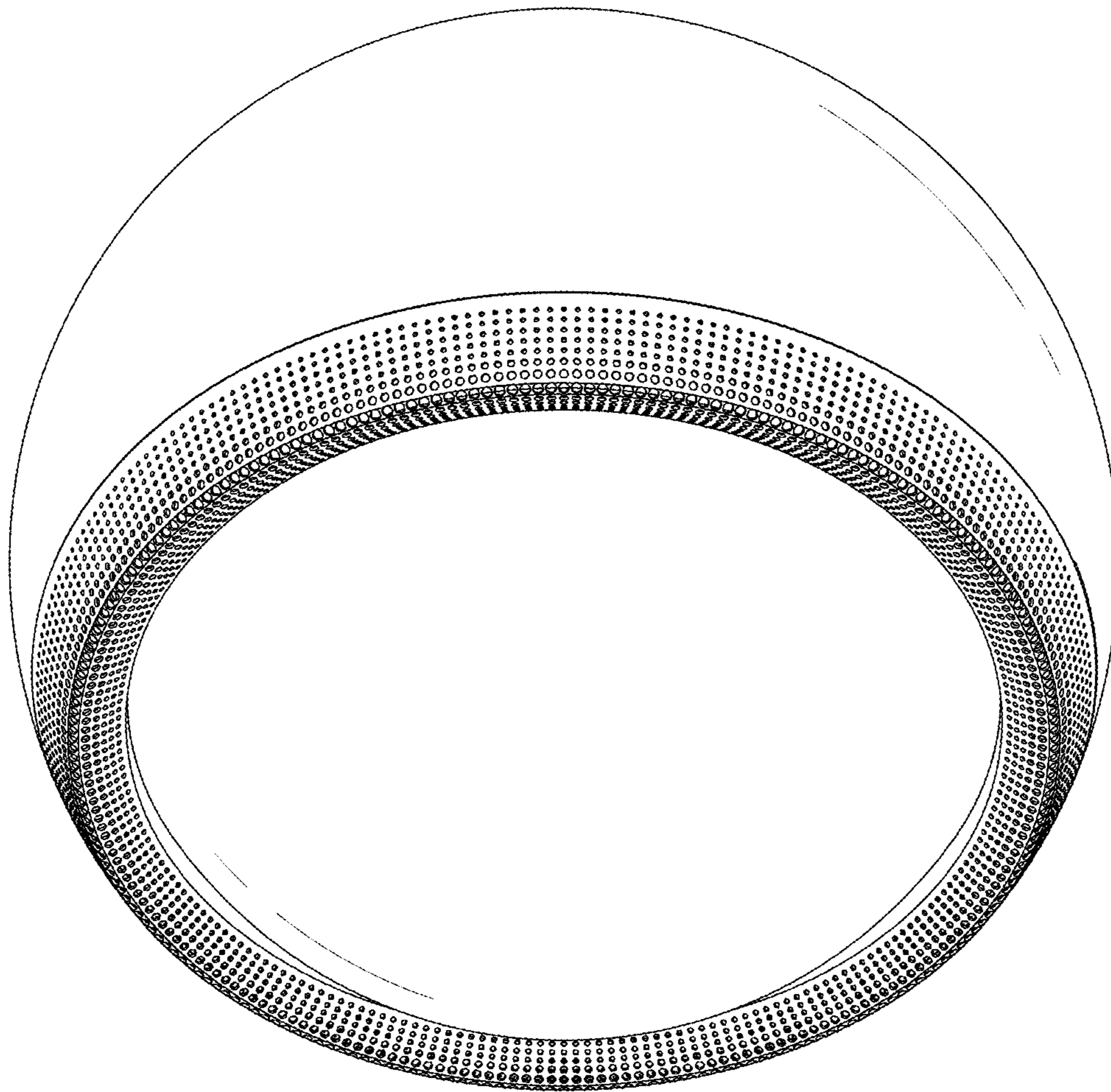


FIG. 7



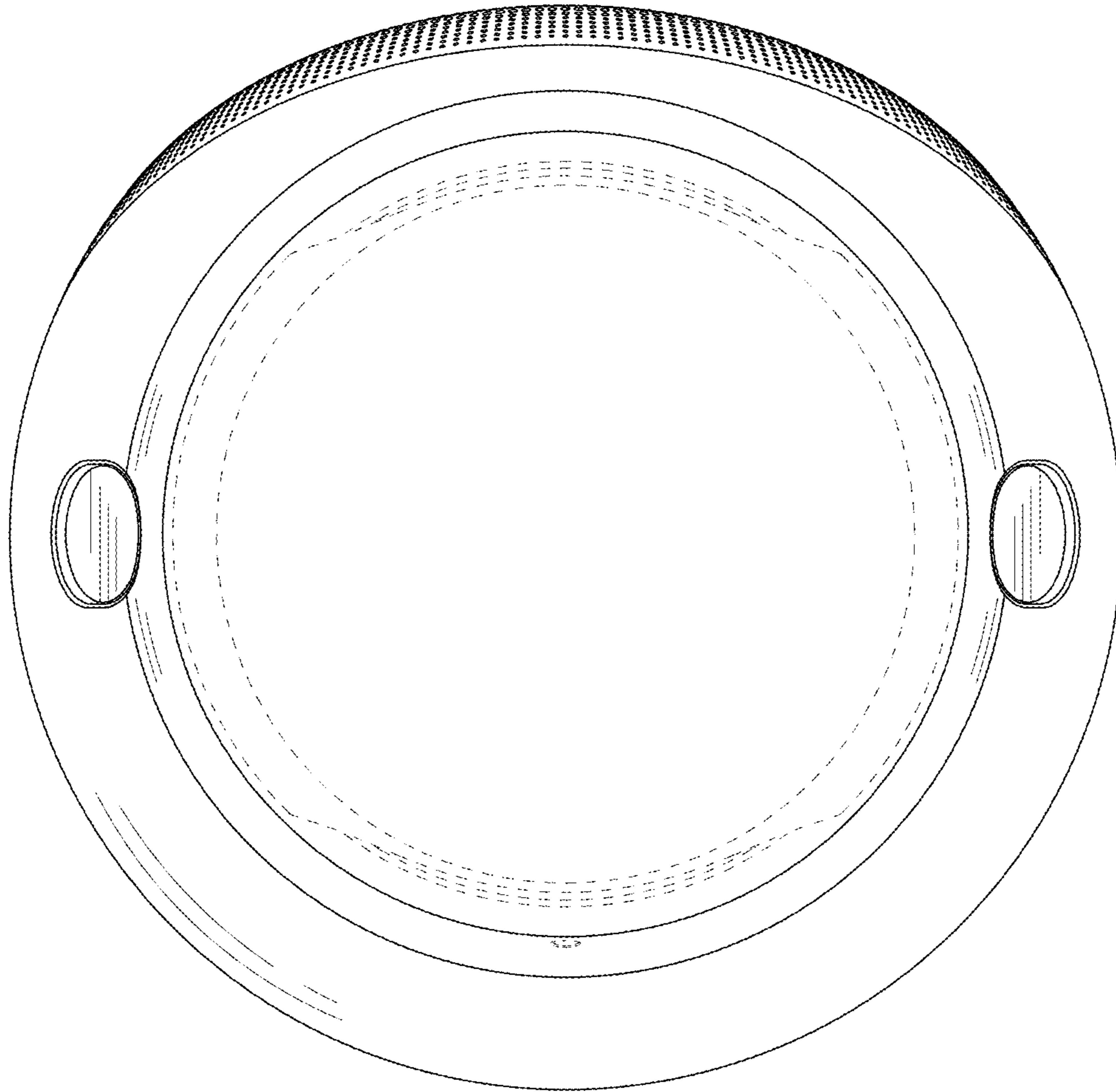


FIG. 8