



US00D983340S

(12) **United States Design Patent**
Zheng

(10) **Patent No.:** **US D983,340 S**
(45) **Date of Patent:** **** Apr. 11, 2023**

(54) **AIR PURIFIER**

(71) Applicant: **SHENZHEN JUYUAN TECHNOLOGY CO., LTD.**,
Guangdong (CN)

(72) Inventor: **Zicheng Zheng**, Guangdong (CN)

(73) Assignee: **SHENZHEN JUYUAN TECHNOLOGY CO., LTD.**,
Guangdong (CN)

(**) Term: **15 Years**

(21) Appl. No.: **29/787,470**

(22) Filed: **Jun. 7, 2021**

(51) **LOC (14) Cl.** **23-04**

(52) **U.S. Cl.**
USPC **D23/364**

(58) **Field of Classification Search**
USPC D23/314, 332, 333, 335, 336, 355, 356,
D23/364, 365, 366, 378
CPC F24F 1/0022; F24F 3/14; F24F 6/06; F24F
8/80; B01D 46/00281; B01D 46/0043;
A61L 2209/12; A61L 2209/14
See application file for complete search history.

(56) **References Cited**

U.S. PATENT DOCUMENTS

D835,766	S	*	12/2018	Chen	D23/364
D877,874	S	*	3/2020	Liu	D23/364
D882,056	S	*	4/2020	Baillie	D23/364
D886,272	S	*	6/2020	Yang	D23/364
D938,565	S	*	12/2021	Yang	D23/364
D938,566	S	*	12/2021	Yang	D23/364
D939,680	S	*	12/2021	Luo	D23/356
D942,604	S	*	2/2022	Yang	D23/364
D943,072	S	*	2/2022	Hu	D23/356
D944,959	S	*	3/2022	Wang	D23/364
D946,732	S	*	3/2022	Xu	D23/364
D950,033	S	*	4/2022	Peng	D23/364

D950,034	S	*	4/2022	Peng	D23/364
D959,632	S	*	8/2022	Nikitas	D23/364
D962,413	S	*	8/2022	Li	D23/366

(Continued)

FOREIGN PATENT DOCUMENTS

CN	202030542678.9	*	5/2021
CN	202130148201.7	*	7/2021

OTHER PUBLICATIONS

Yiju B-D02U Air Purifier. Amazon Standard ID# (ASIN) B09B9RNM6. Catalogue [Online]. Amazon.com 2021. [Date first Available Sep. 11, 2021][Retrieved on Nov. 28, 2022]. Retrieved from the Internet: <URL:https://www.amazon.com/gp/product/B09B9RNM6> (Year: 2021).*

(Continued)

Primary Examiner — Janice Hallmark
Assistant Examiner — Adedoyin Taiwo Odeyale
(74) *Attorney, Agent, or Firm* — ScienBiziP, P.C.

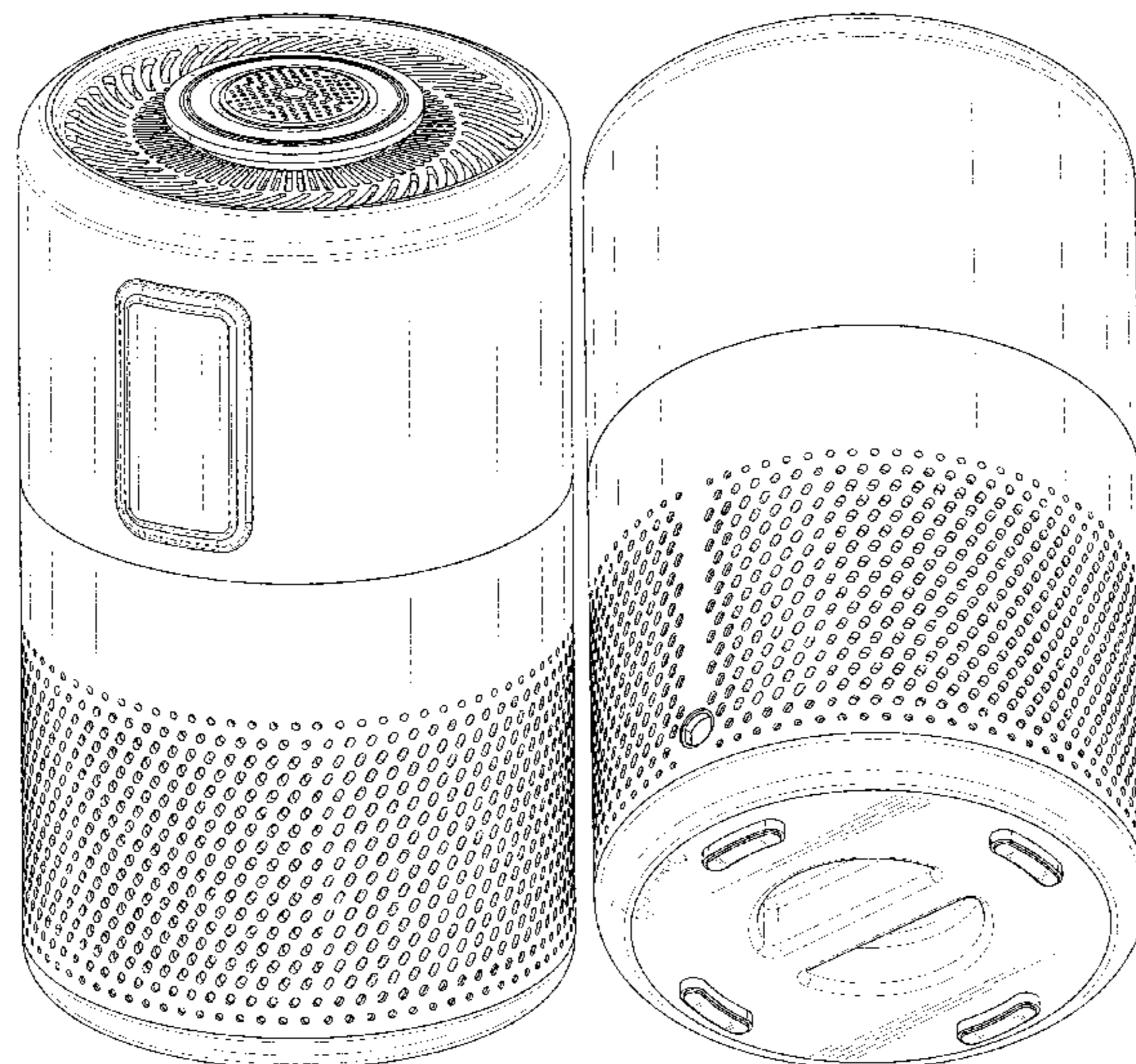
(57) **CLAIM**

The ornamental design for an air purifier, as shown and described.

DESCRIPTION

FIG. 1 is a front, right, and top perspective view of an air purifier, showing my design.
FIG. 2 is a rear, left, and bottom perspective view thereof.
FIG. 3 is a front elevation view thereof.
FIG. 4 is a rear elevation view thereof.
FIG. 5 is a left side elevation view thereof.
FIG. 6 is a right side elevation view thereof.
FIG. 7 is a top plan view thereof; and,
FIG. 8 is a bottom plan view thereof.
The broken lines shown in the drawings are included for the purpose of illustrating portions of the air purifier that form no part of the claimed design.

1 Claim, 8 Drawing Sheets



(56)

References Cited

U.S. PATENT DOCUMENTS

D964,537 S * 9/2022 Chen D23/364
D966,482 S * 10/2022 Shan D23/364

OTHER PUBLICATIONS

Mooka B-D02L Air Purifier. Amazon Standard ID# (ASIN) B08PJQ3MWB. Catalogue [Online]. Amazon.com 2021. [Date first Available Feb. 8, 2021][Retrieved on Nov. 28, 2022]. Retrieved from the Internet: <URL:<https://www.amazon.com/MOOKA-Eliminator-Allergies-Available-California/dp/B08PJQ3MWB>> (Year: 2021).*

* cited by examiner

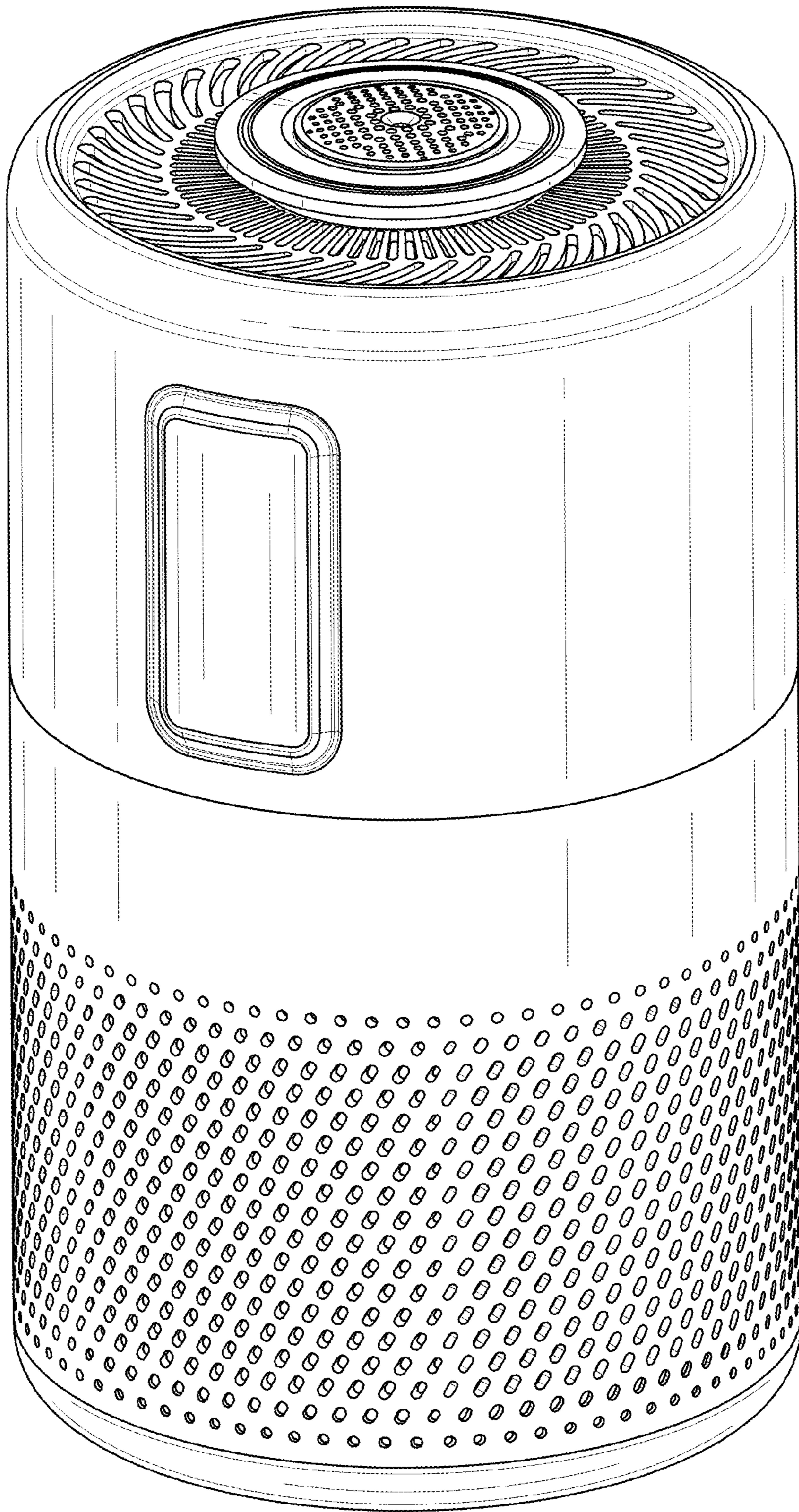


FIG. 1

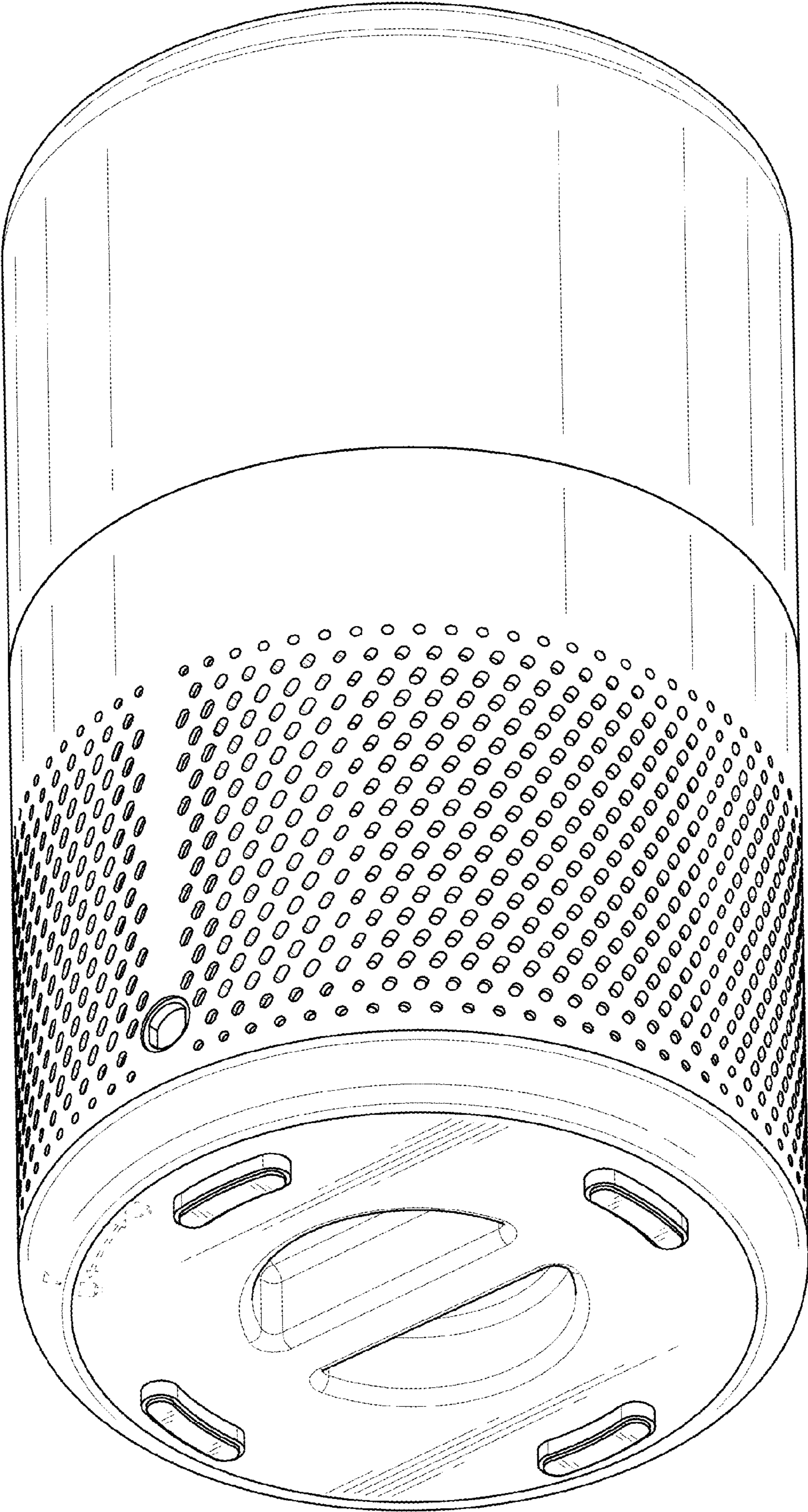


FIG. 2

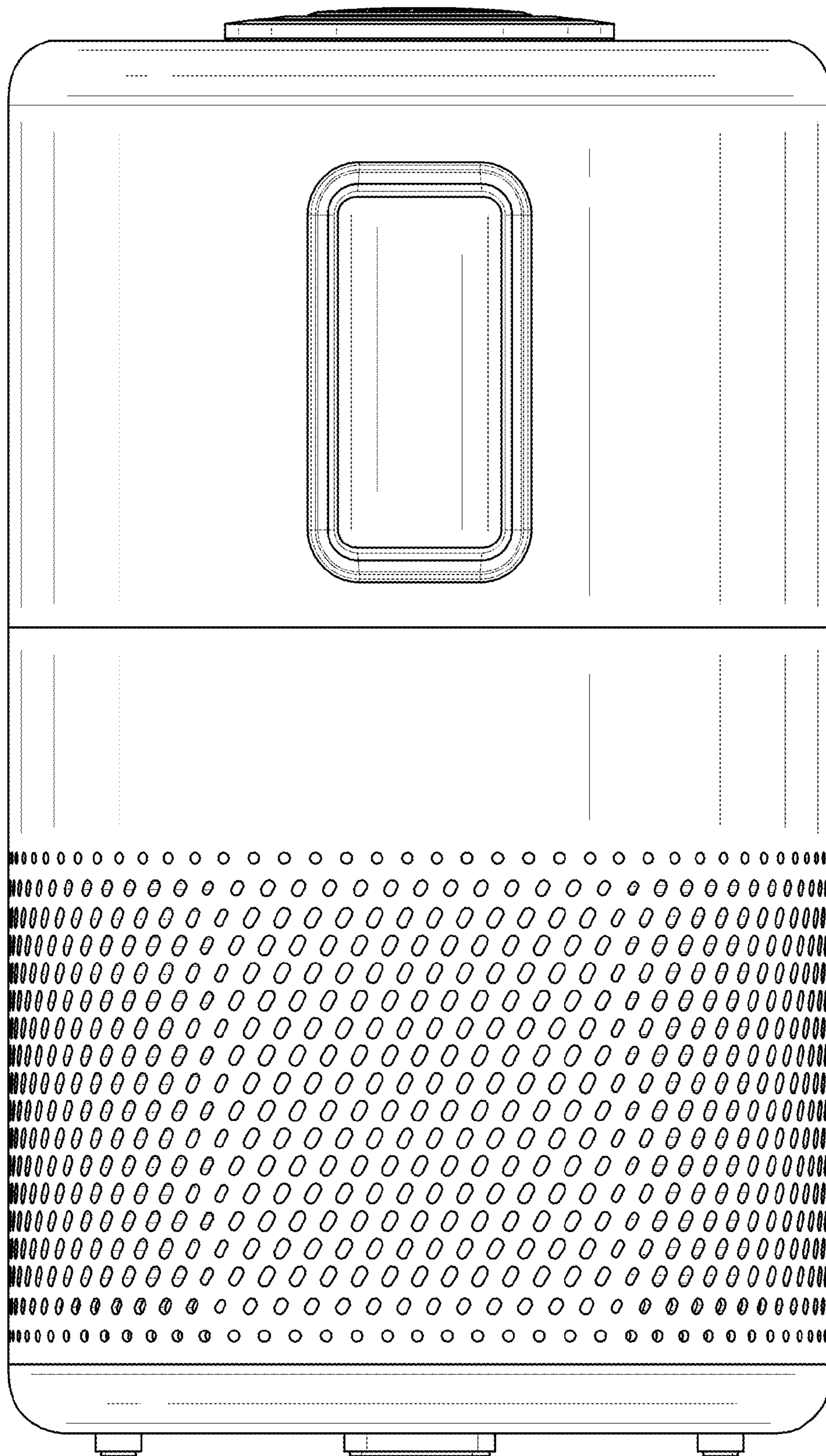


FIG. 3

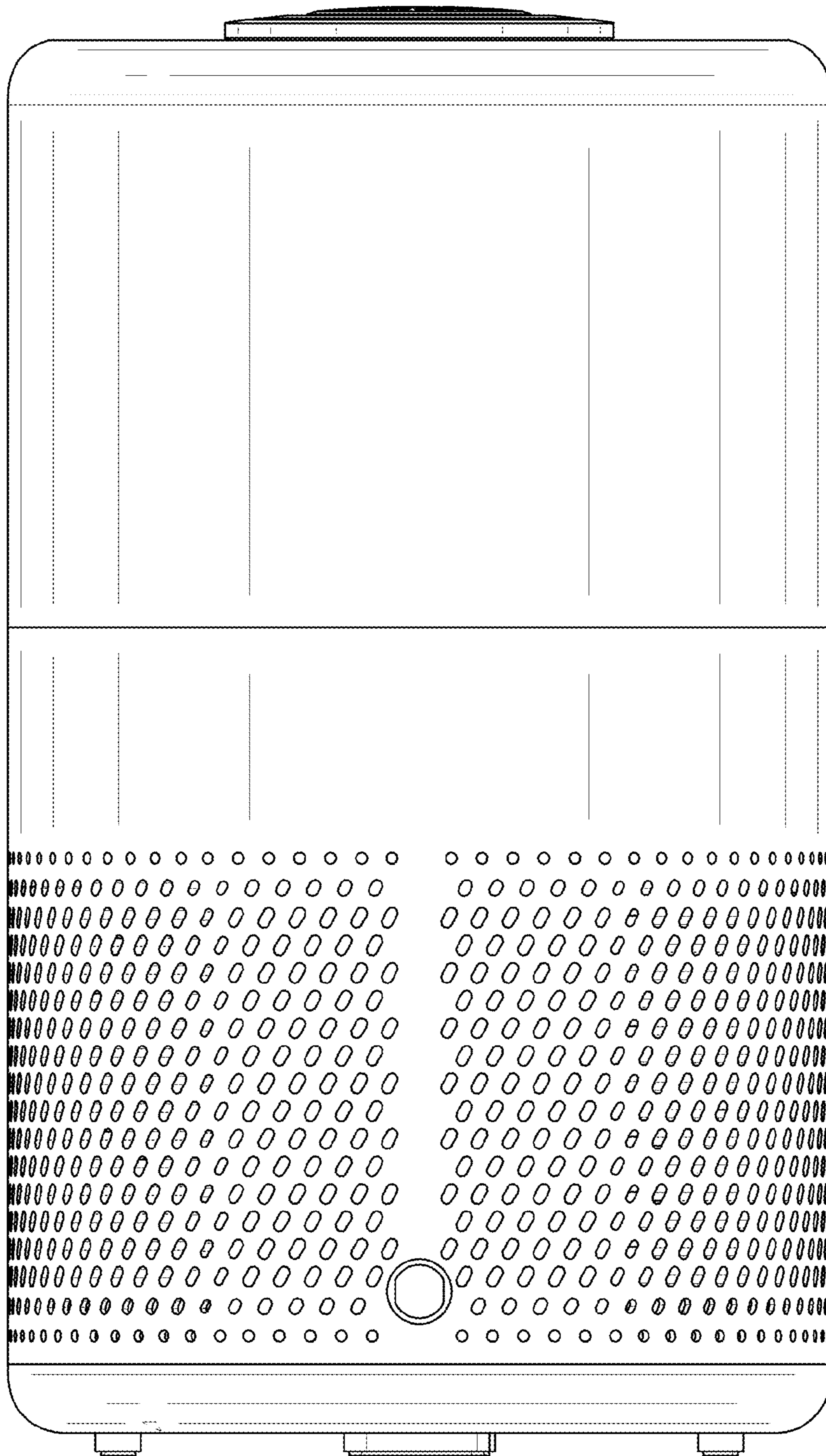


FIG. 4

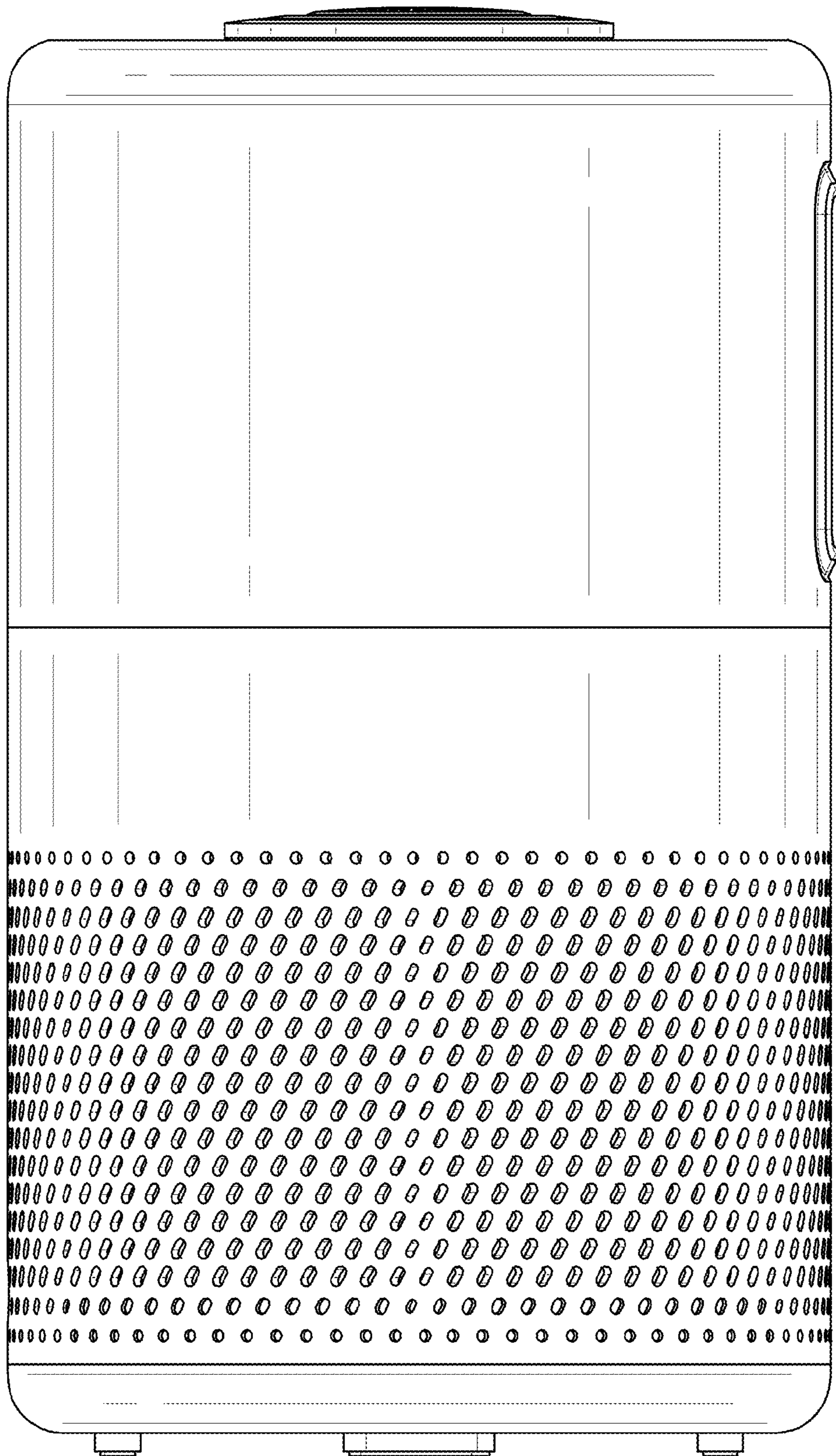


FIG. 5

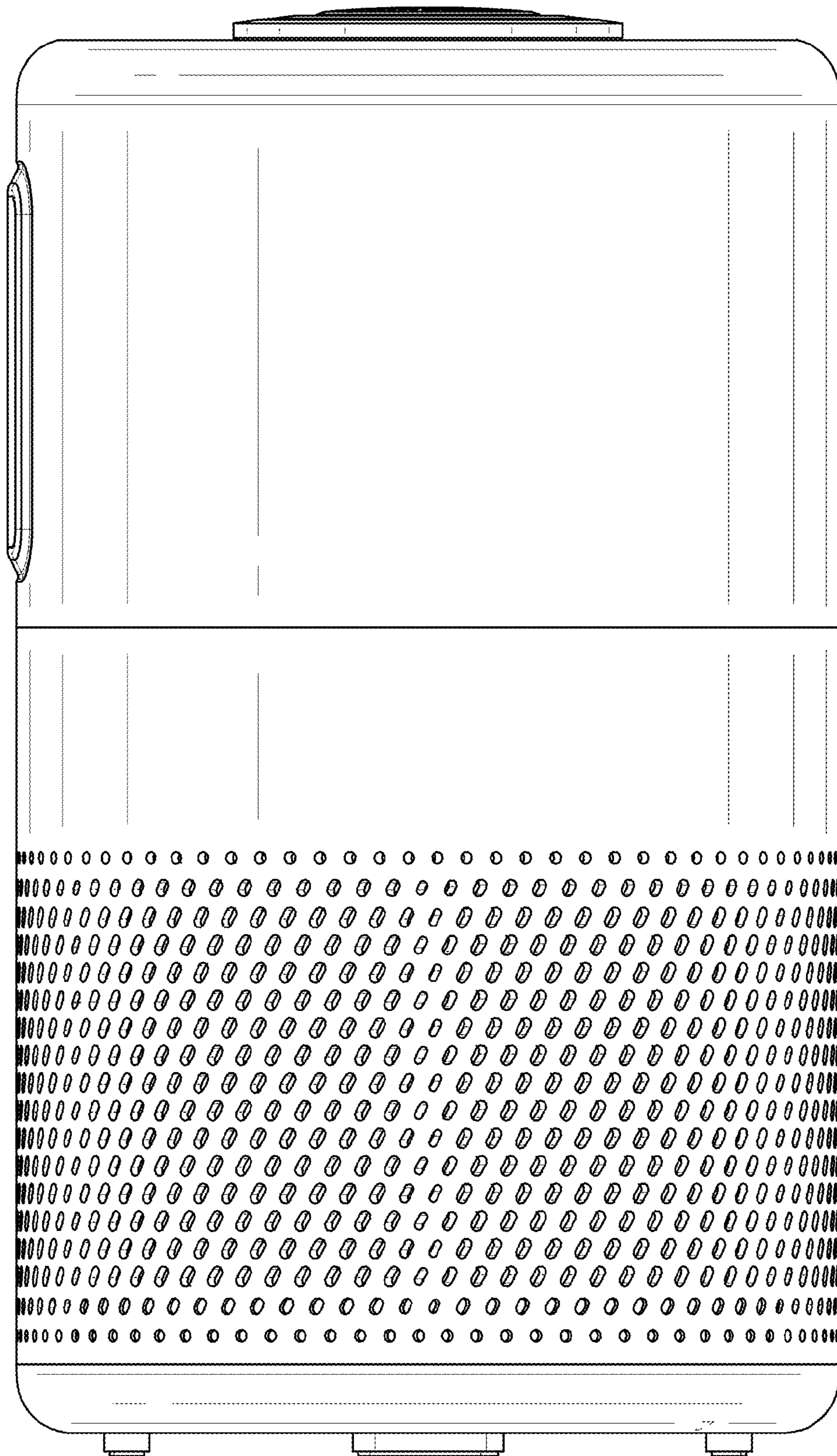


FIG. 6

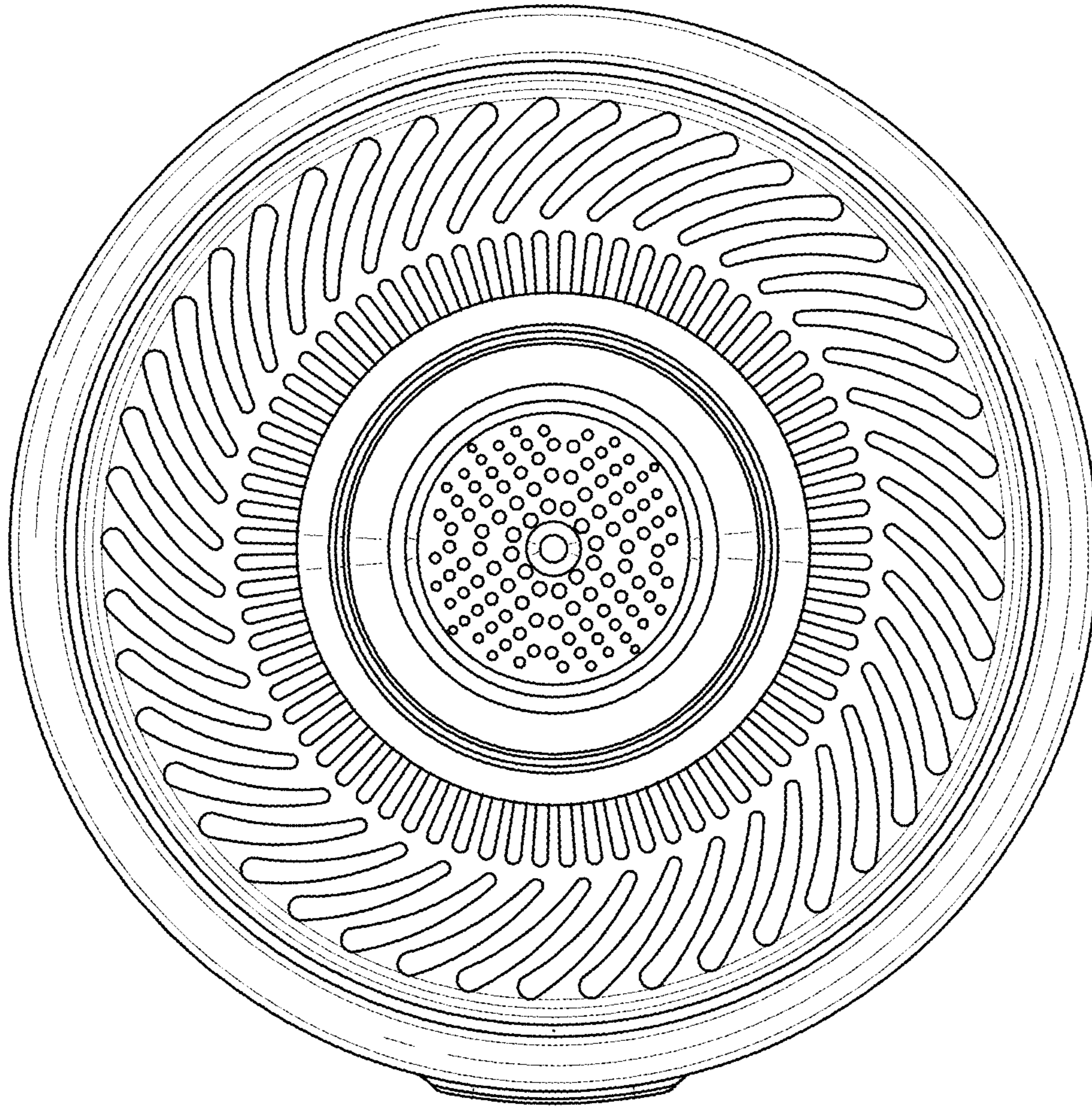


FIG. 7

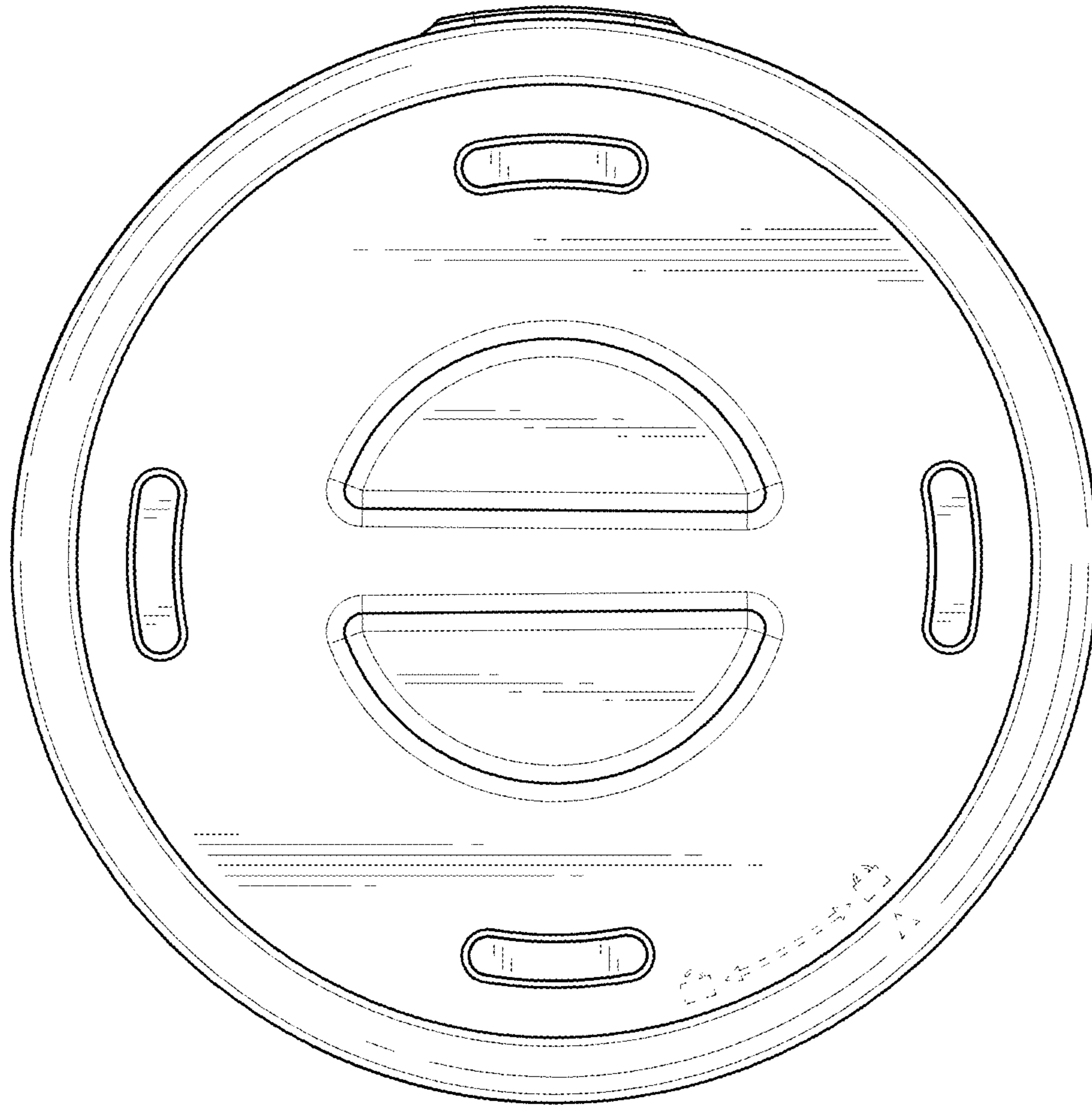


FIG. 8