



US00D983339S

(12) **United States Design Patent**  
**Huang et al.**

(10) **Patent No.: US D983,339 S**  
(45) **Date of Patent: \*\* \*Apr. 11, 2023**

(54) **JOINT FOR ABOVE GROUND POOL FRAME**

- (71) Applicant: **Intex Marketing Ltd.**, Tortola (VG)
- (72) Inventors: **Zhi Xiong Huang**, Xiamen (CN); **Ai Ming Tan**, Xiamen (CN)
- (73) Assignee: **Intex Marketing Ltd.**, Tortola (VG)
- (\* ) Notice: This patent is subject to a terminal disclaimer.
- (\*\*) Term: **15 Years**
- (21) Appl. No.: **29/768,907**
- (22) Filed: **Feb. 2, 2021**

**Related U.S. Application Data**

- (62) Division of application No. 29/708,749, filed on Oct. 9, 2019, now Pat. No. Des. 930,802.

(30) **Foreign Application Priority Data**

- Apr. 12, 2019 (CN) ..... 201920498611.1
- Sep. 10, 2019 (CN) ..... 201930497969.8

- (51) **LOC (14) Cl.** ..... **23-04**

- (52) **U.S. Cl.**  
USPC ..... **D23/363**

- (58) **Field of Classification Search**  
USPC ..... D8/382; D23/230, 233–234, 262–266, D23/301; D25/2, 38.1, 41.1, 43–44, 61, D25/122–126, 133–134  
CPC ..... E04H 4/0056; E04H 4/14; E04H 4/148; F21V 21/088; F21V 27/00; F21S 8/00; F21W 2131/401  
See application file for complete search history.

(56) **References Cited**

**U.S. PATENT DOCUMENTS**

- 1,786,613 A 12/1930 Hooper
- 1,884,410 A 10/1932 Vincent
- D174,950 S 6/1955 Frishberg
- 3,225,362 A 12/1965 Barrera

(Continued)

**FOREIGN PATENT DOCUMENTS**

- CN 2195595 Y 4/1995
- CN 2480479 Y 3/2002

(Continued)

**OTHER PUBLICATIONS**

Best Way [https://www.amazon.com/Steel-Pro-Frame-Pool-Set/dp/BOOHZAM07U/ref=sr\\_1\\_24?dchild=1&keywords=above+ground+frame+pool&qid=1605540738&sr=8-24](https://www.amazon.com/Steel-Pro-Frame-Pool-Set/dp/BOOHZAM07U/ref=sr_1_24?dchild=1&keywords=above+ground+frame+pool&qid=1605540738&sr=8-24) (Year: 2017).

(Continued)

*Primary Examiner* — Karen S Acker

*Assistant Examiner* — Jonathan E Fiencke

(74) *Attorney, Agent, or Firm* — Faegre Drinker Biddle & Reath LLP

(57) **CLAIM**

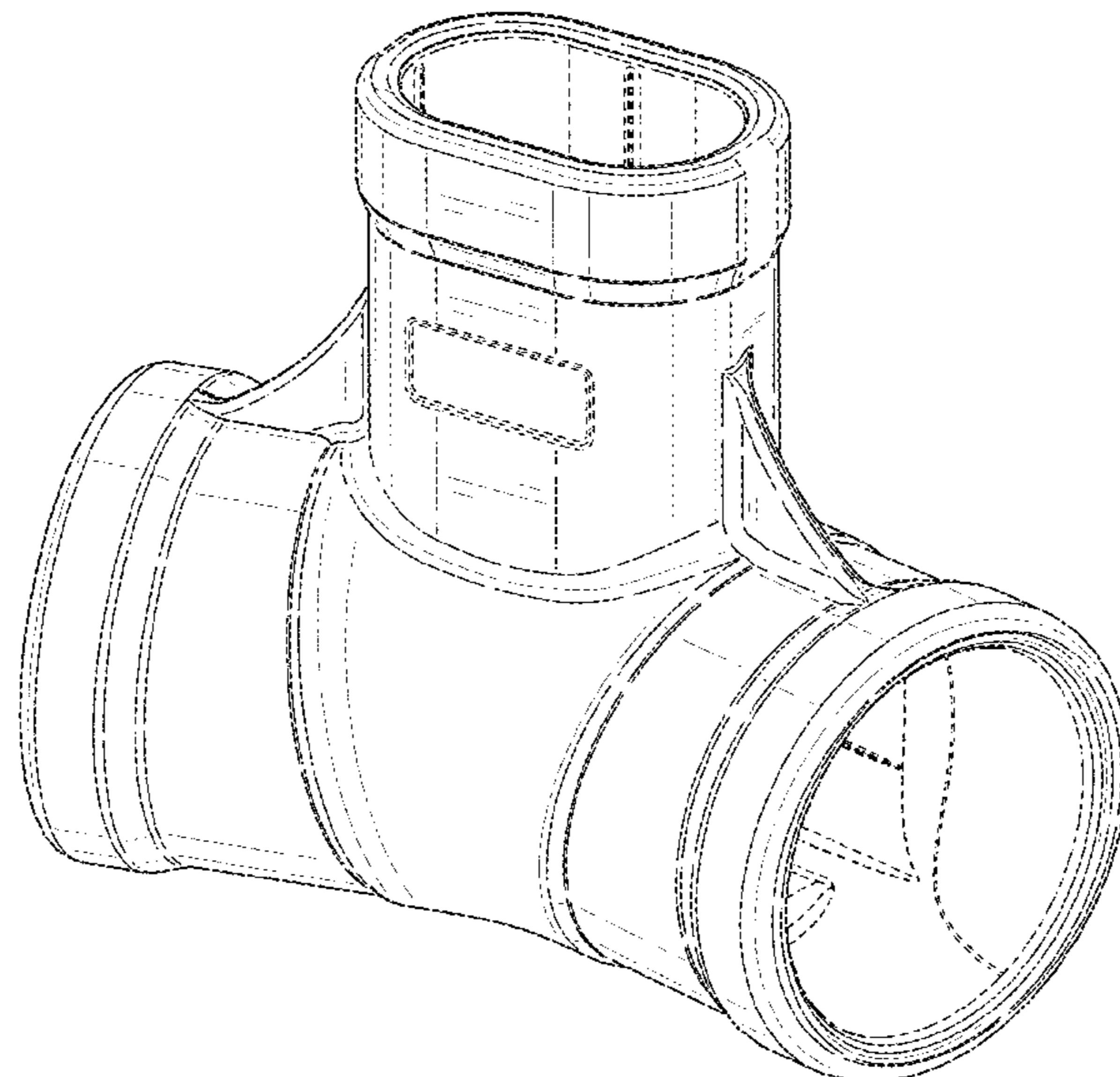
The ornamental design for a joint for above ground pool frame, as shown and described.

**DESCRIPTION**

FIG. 1 is a front perspective view of a joint for above ground pool frame showing our new design; FIG. 2 is a front elevational view thereof; FIG. 3 is a rear elevational view thereof; FIG. 4 is a left side elevational view thereof; FIG. 5 is a right side elevational view thereof; FIG. 6 is a top plan view thereof; and, FIG. 7 is a bottom plan view thereof.

The long-short broken lines within the openings depict boundaries that form no part of the claimed design. The evenly-sized broken lines depict portions of the joint for above ground pool frame that form no part of the claimed design.

**1 Claim, 7 Drawing Sheets**



(56)

References Cited

U.S. PATENT DOCUMENTS

3,424,178 A 1/1969 Yazaki  
 3,595,180 A 7/1971 Swoyer  
 3,654,640 A 4/1972 Katzman  
 3,864,048 A 2/1975 Parker  
 3,874,132 A 4/1975 Mendelow et al.  
 3,877,491 A 4/1975 Thastrup  
 4,323,319 A 4/1982 Adams  
 4,356,933 A 11/1982 Connolly  
 D304,486 S 11/1989 Elder et al.  
 4,890,343 A 1/1990 Schlags  
 5,054,135 A 10/1991 Dallaire et al.  
 5,083,327 A 1/1992 Gillebaard  
 5,143,476 A 9/1992 Pruis  
 D343,889 S 2/1994 Stonecypher  
 D348,723 S 7/1994 Carroll  
 D361,847 S 8/1995 Cetrulo  
 5,927,363 A 7/1999 Olsen  
 D417,918 S 12/1999 Mussa  
 D420,145 S 2/2000 Mussa  
 D420,146 S 2/2000 Mussa  
 6,079,894 A 6/2000 Obitts  
 6,272,696 B1 8/2001 Sobel et al.  
 D453,553 S \* 2/2002 Maerz ..... D23/263  
 D454,205 S \* 3/2002 Spicer ..... D25/2  
 D454,940 S 3/2002 Hoenig  
 D455,950 S 4/2002 Unwin  
 6,477,721 B2 11/2002 Lee  
 D472,648 S 4/2003 Linsley  
 6,595,713 B1 7/2003 Wilson  
 6,604,250 B1 8/2003 Lee  
 D481,110 S \* 10/2003 Snyder, Sr. .... D23/263  
 D495,434 S 8/2004 Cooper  
 6,803,007 B2 10/2004 Meggiolan  
 D504,523 S 4/2005 Gimpel et al.  
 D567,394 S 4/2008 Pena  
 D580,530 S 11/2008 McAlpine  
 D592,492 S \* 5/2009 Werschmidt ..... D8/382  
 D599,446 S \* 9/2009 Price ..... D23/262  
 D626,405 S 11/2010 Goad  
 D654,353 S 2/2012 Tabler  
 D676,942 S \* 2/2013 Kluss ..... D23/262  
 D707,366 S 6/2014 Rowland  
 D718,853 S \* 12/2014 Lee ..... D23/365  
 D755,940 S 5/2016 Schulze  
 D759,889 S 6/2016 Seehof et al.  
 D760,425 S 6/2016 Seehof et al.  
 D770,599 S 11/2016 Daughters  
 D771,779 S \* 11/2016 Scifres ..... D23/263  
 D805,165 S \* 12/2017 Dean ..... D23/262  
 D815,300 S 4/2018 Lin et al.  
 D874,021 S \* 1/2020 Huang ..... E04H 4/0056  
 D25/2  
 D900,286 S 10/2020 Daughters  
 D905,832 S \* 12/2020 Gray ..... D23/266  
 D908,849 S 1/2021 Decaria  
 D925,011 S 7/2021 Parihar  
 D926,295 S \* 7/2021 Zhang ..... D23/262  
 D930,802 S 9/2021 Huang et al.  
 11,225,805 B2 \* 1/2022 Huang ..... E04H 4/0056  
 D943,715 S \* 2/2022 Kwak ..... D23/263  
 D945,871 S 3/2022 MacDonald  
 D946,129 S \* 3/2022 Luo ..... D23/249  
 D956,267 S \* 6/2022 Zhang ..... D21/815  
 D957,241 S \* 7/2022 Deng ..... D8/382  
 D959,617 S \* 8/2022 Meng ..... D23/262  
 D963,812 S \* 9/2022 Cherry ..... E04H 4/0056  
 D23/262

D965,117 S \* 9/2022 Hanson ..... D23/263  
 2001/0037620 A1 \* 11/2001 Choi ..... E04H 4/0056  
 52/719  
 2002/0042948 A1 4/2002 Lee  
 2002/0064420 A1 5/2002 Lin  
 2004/0118844 A1 6/2004 Bennett et al.  
 2007/0068584 A1 3/2007 Murdock et al.  
 2008/0314466 A1 12/2008 Cimberio et al.  
 2009/0205121 A1 8/2009 Cheng  
 2010/0083437 A1 4/2010 Hui  
 2014/0325751 A1 11/2014 Hake  
 2015/0115186 A1 4/2015 Borland et al.  
 2016/0201348 A1 7/2016 Liu  
 2016/0222686 A1 8/2016 Liu  
 2017/0009475 A1 1/2017 Liu  
 2017/0089085 A1 3/2017 Liu  
 2017/0356206 A1 \* 12/2017 Huang ..... E04H 4/0056  
 2019/0032796 A1 1/2019 Di Monte  
 2019/0178275 A1 6/2019 Lin et al.  
 2020/0141143 A1 \* 5/2020 Huang ..... E04H 4/0056  
 2020/0332544 A1 \* 10/2020 Huang ..... E04H 4/0056  
 2021/0324648 A1 \* 10/2021 Huang ..... E04H 4/0056  
 2021/0348409 A1 \* 11/2021 Chen ..... E04H 4/0056  
 2022/0034113 A1 2/2022 Huang et al.  
 2022/0275661 A1 9/2022 Huang et al.

FOREIGN PATENT DOCUMENTS

CN 2766083 Y 3/2006  
 CN 200968073 Y 10/2007  
 CN 101787807 A 7/2010  
 CN 202745430 U 2/2013  
 CN 204475913 U 7/2015  
 CN 204475914 U 7/2015  
 CN 204531509 U 8/2015  
 CN 205777703 U 12/2016  
 CN 206477627 U 9/2017  
 CN 207673066 U 7/2018  
 CN 209040623 U 6/2019  
 CN 209130364 U 7/2019  
 DE 8810857 U1 10/1988  
 DE 19904335 A1 8/1999  
 FR 2774416 A1 8/1999

OTHER PUBLICATIONS

<http://hardware-store-online.com/berater/intex-ultra-frame-pool-horizontal-beam#more-infos> Retrieved Jul. 31, 2017.  
 International Search Report and Written Opinion received for PCT Patent Application No. PCT/IB2019/057831, dated Dec. 20, 2019, 9 pages.  
 Intex, 2013 Above Ground Pools Catalogue, Copyright 2012, 13 pages.  
 Intex, Ultra Frame Pool Owner's Manual, May 13, 2015, 17 pages, available at [https://www.poolcenter.com/images/PDFs/IntexUltraFrameRound\\_manual.pdf](https://www.poolcenter.com/images/PDFs/IntexUltraFrameRound_manual.pdf).  
 Kitlife Pool Cart <https://www.amazon.com/KITLIFE-Storage-Resistant-Cracking-Included/dp/B08B46LM5N/> (Year 2018).  
 Summer <https://www.amazon.com/Summer-Waves-Premium-Swimming-Accessory/dp/B07BXC85HG/> (Year: 2018).  
 Plumbingsupply.com, "Incredible Selection of PVC Fittings, Sch.40 PVC fittings and Sch.80 PVC Adapters," The Wayback Machine—<https://web.archive.org/web/20180701150048/https://www.plumbingsupply.com>, © 1995-2018 PlumbingSupply.com, 127 pages.  
 European Search Report issued by the European Patent Office dated Apr. 26, 2022, for European Patent Application No. 19862486.8, issued on Apr. 26, 2022; 7 pages.

\* cited by examiner

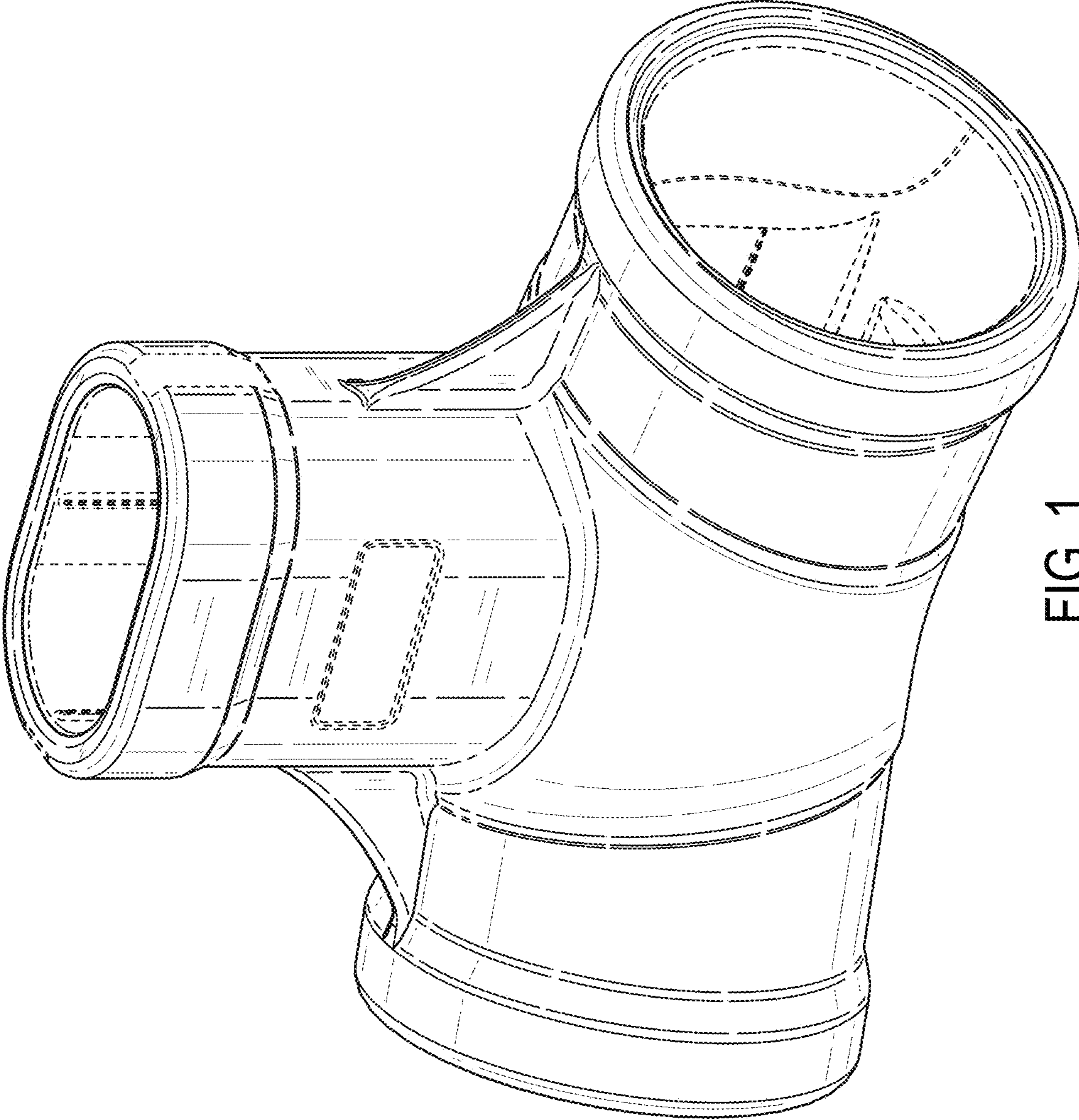


FIG. 1

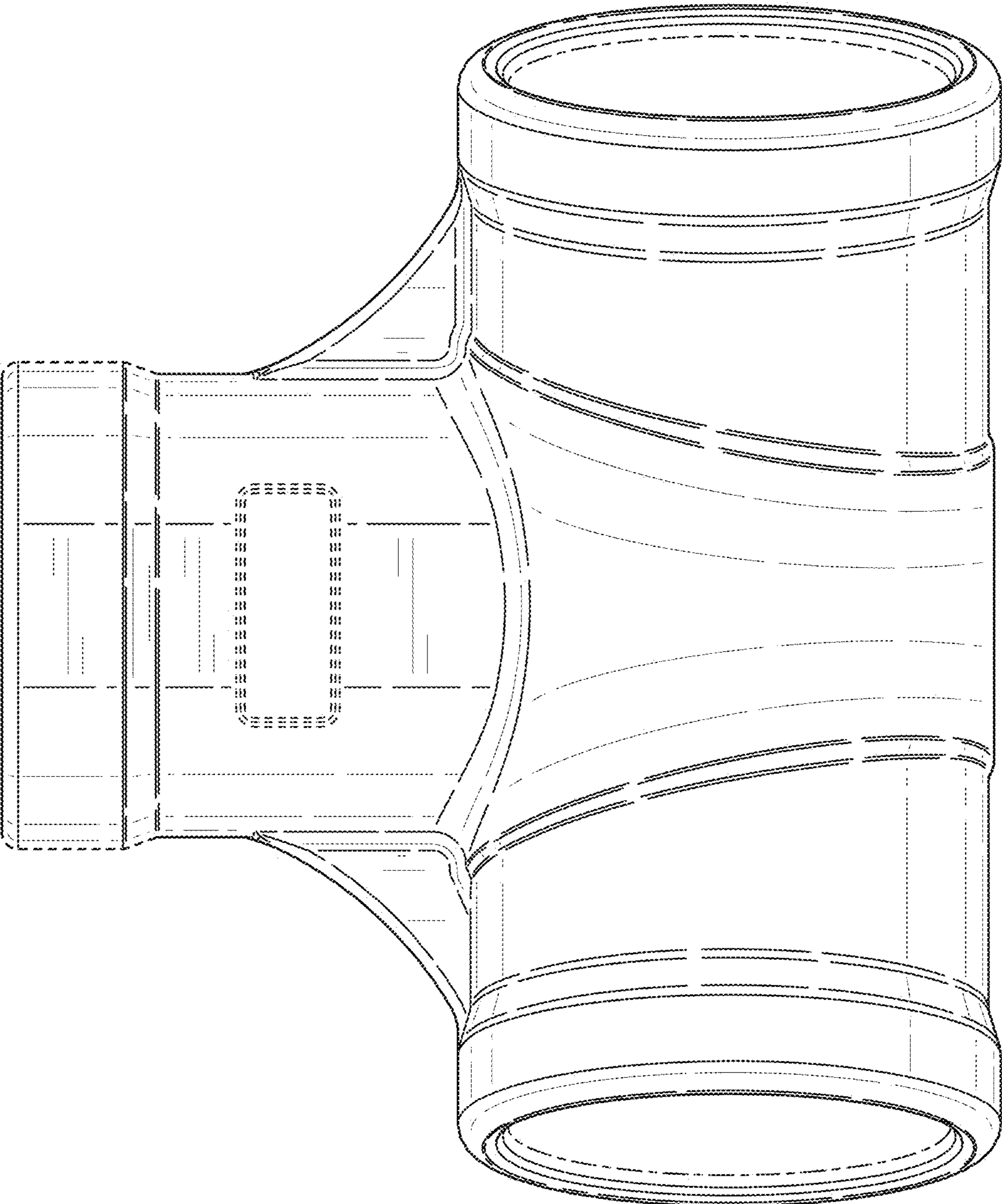


FIG. 2

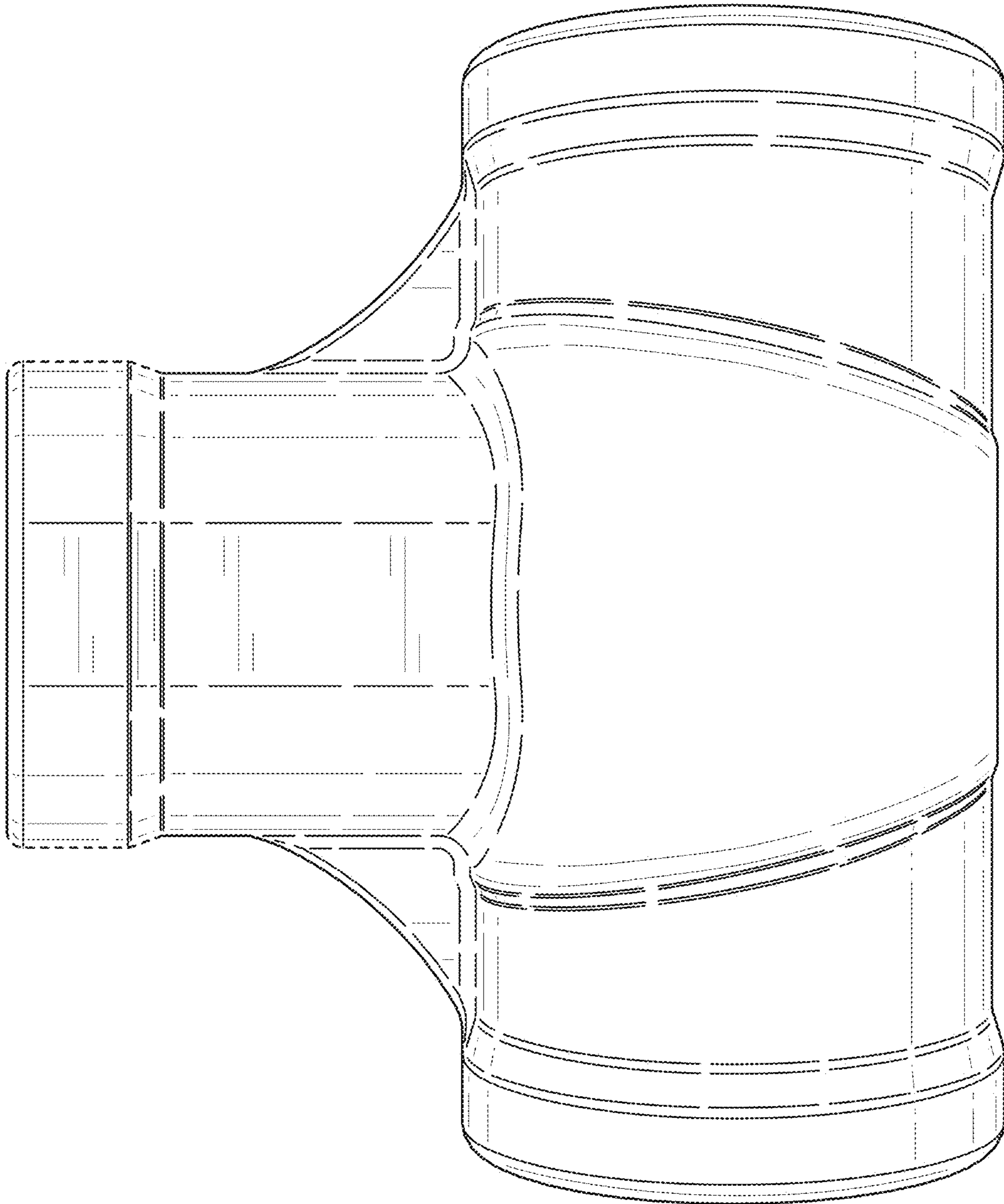


FIG. 3

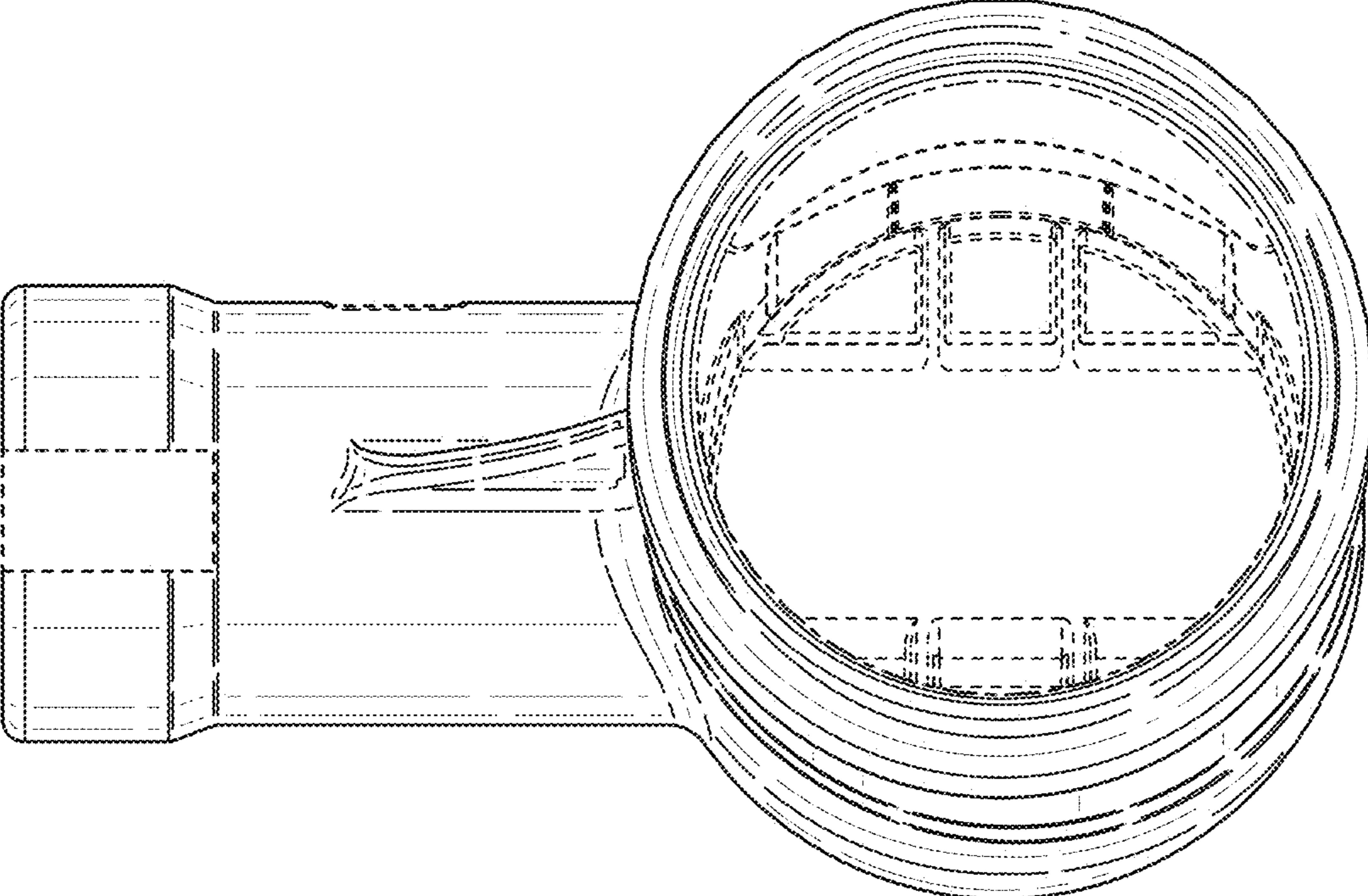


FIG. 4

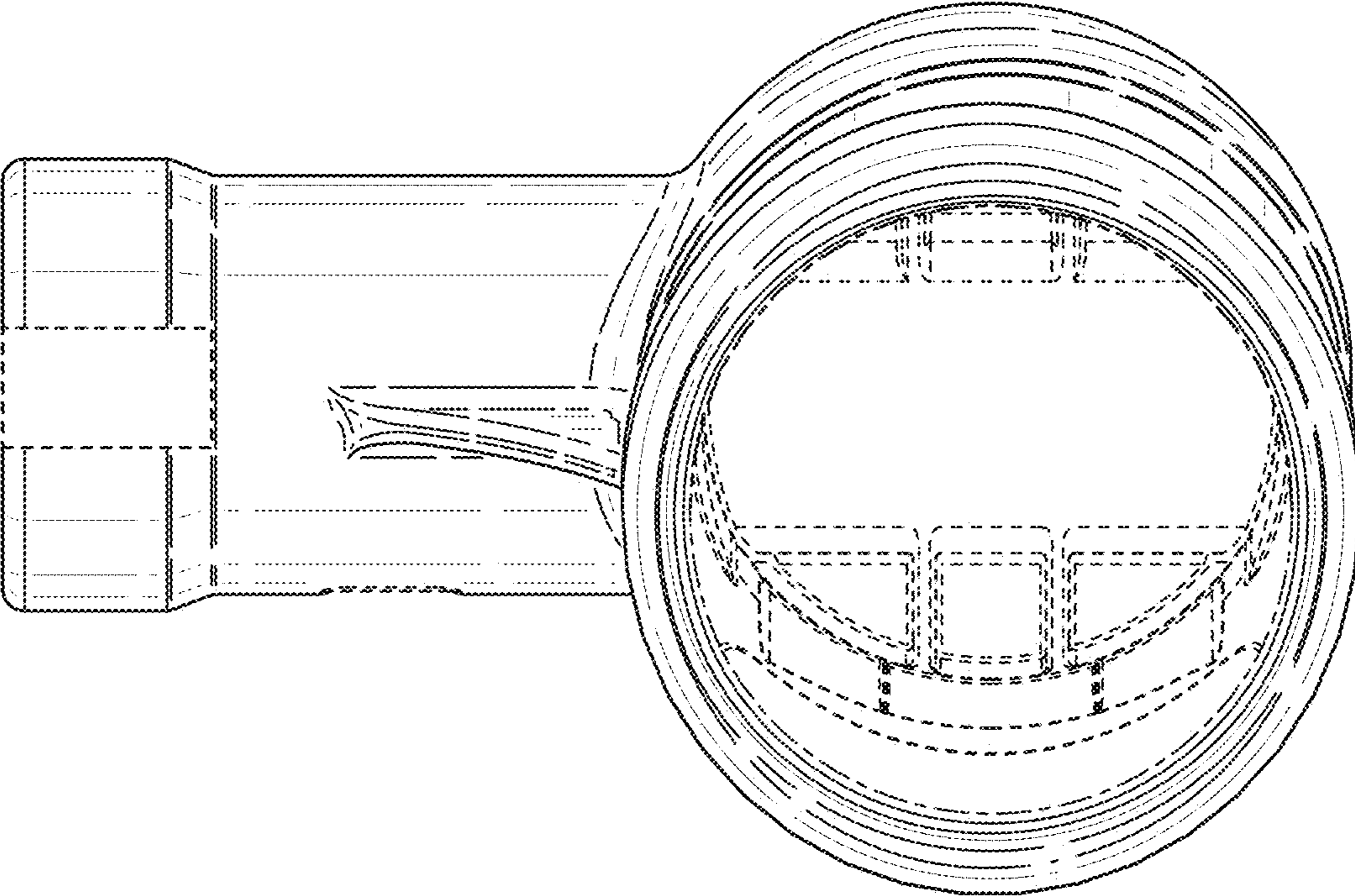


FIG. 5

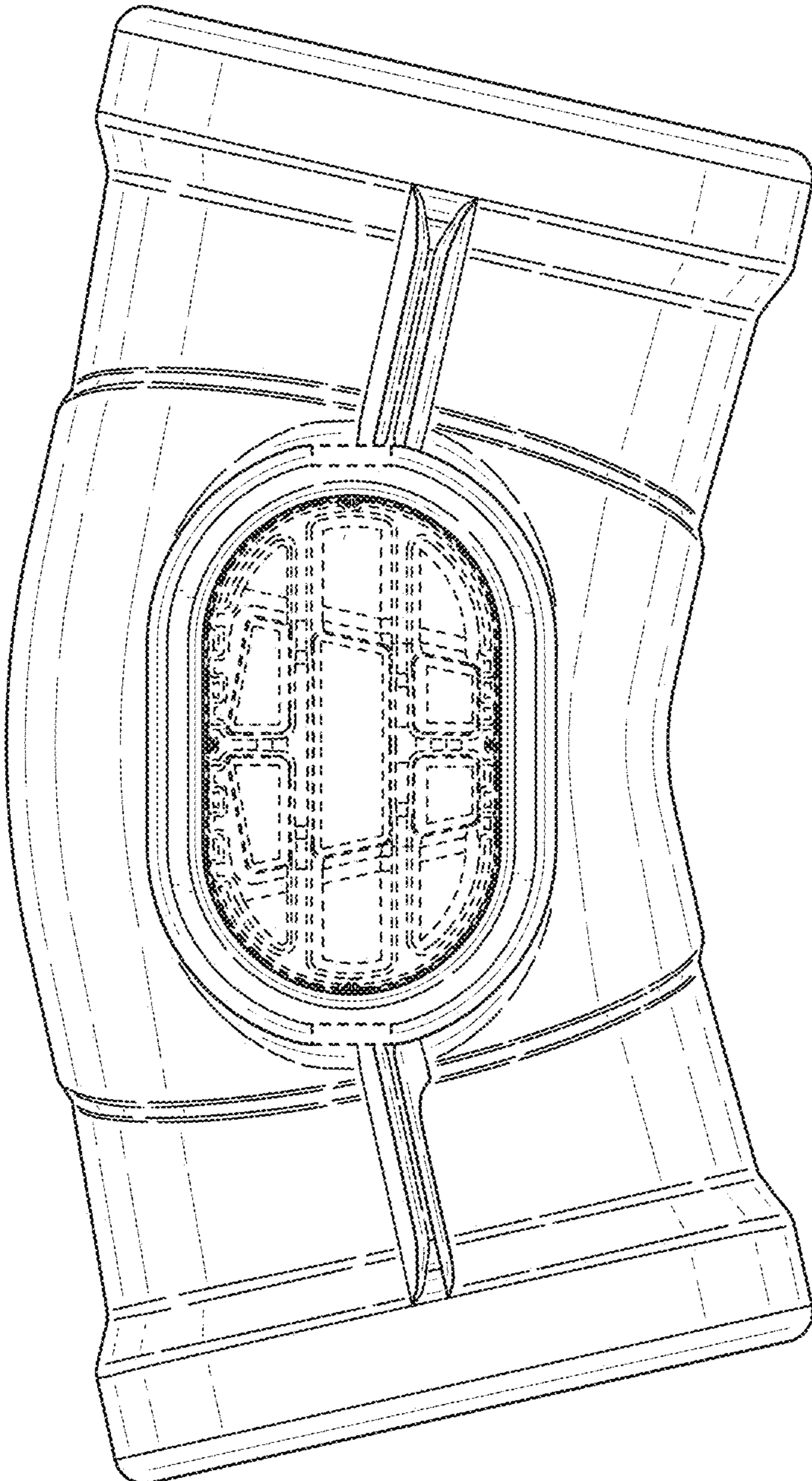


FIG. 6



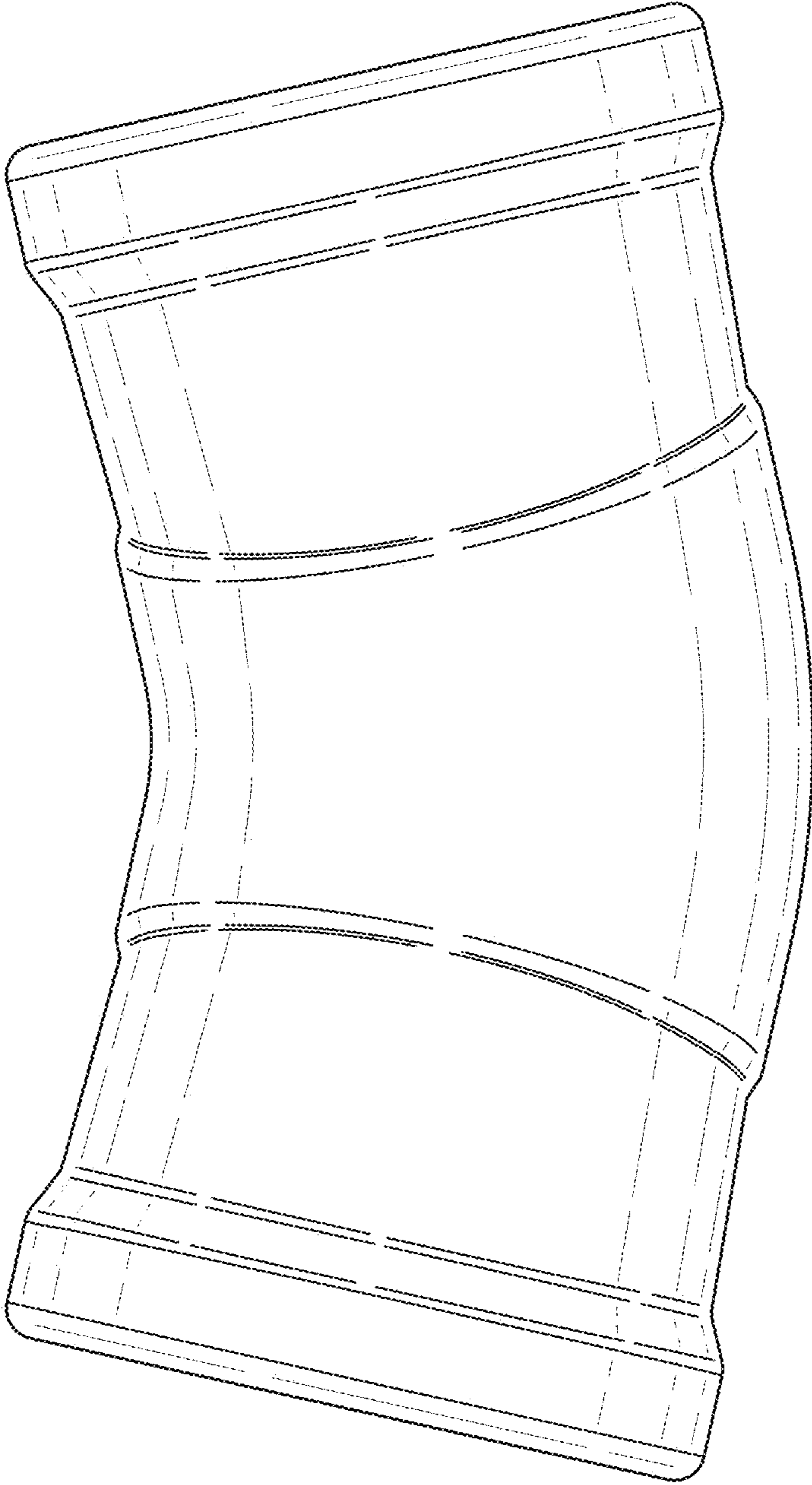


FIG. 7