



US00D983338S

(12) **United States Design Patent** (10) **Patent No.:** **US D983,338 S**
Ye (45) **Date of Patent:** **** Apr. 11, 2023**

(54) **TABLETOP AIR HEATER**
(71) Applicant: **Ningbo Grandlink Import and Export Co., Ltd., Zhejiang (CN)**
(72) Inventor: **Xiaoxiong Ye, Ningbo (CN)**
(73) Assignee: **NINGBO GRANDLINK ELECTRONIC TECHNOLOGY CO., LTD., Ningbo (CN)**

D852,340 S * 6/2019 Barlettano F24F 1/02
D23/333
D891,593 S * 7/2020 Wilson D23/342
D896,936 S * 9/2020 Ou D23/333
D907,753 S * 1/2021 Tschopp D23/335
D924,382 S * 7/2021 He D23/333
D963,135 S * 9/2022 Barlettano D23/333
D965,124 S * 9/2022 Zou D23/351

(Continued)

(**) Term: **15 Years**

(21) Appl. No.: **29/744,609**

(22) Filed: **Jul. 30, 2020**

(51) **LOC (14) Cl.** **23-03**

(52) **U.S. Cl.**
USPC **D23/335**

(58) **Field of Classification Search**
USPC D23/328, 332, 335-337, 355
CPC F27D 5/00
See application file for complete search history.

(56) **References Cited**

U.S. PATENT DOCUMENTS

D193,320 S * 7/1962 Knoll D23/335
D282,101 S * 1/1986 Yuen D23/328
D291,350 S * 8/1987 Sherman D23/335
D313,069 S * 12/1990 McCormick D23/335
D316,296 S * 4/1991 Lee D23/335
D346,855 S * 5/1994 Chiu D23/328
D428,645 S * 7/2000 Rossman D23/332
D616,080 S * 5/2010 Ching D23/332
D654,158 S * 2/2012 Chen D23/317
D691,250 S * 10/2013 Chan D23/332
D827,115 S * 8/2018 Petersen D23/333
D828,526 S * 9/2018 De' Longhi D23/335
D838,824 S * 1/2019 Sun D23/364
D848,593 S * 5/2019 Exley D23/351
D849,220 S * 5/2019 Fang D23/364
D850,593 S * 6/2019 Petersen D23/333

FOREIGN PATENT DOCUMENTS

CN 304969055 * 8/2018
CN 305906392 * 8/2019
CN 306250513 * 7/2020

OTHER PUBLICATIONS

Portable Air Conditioner Fan, Mikikin, first available Jun. 22, 2020[online], [site visited Oct. 4, 2021]. Available from internet, URL:<<https://www.amazon.com/Portable-Conditioner-Mikikin-Evaporative-Rechargeable/dp/B085NYXXK3>> (Year: 2020).*

Primary Examiner — Barbara Fox
Assistant Examiner — Jamaal Rasheed

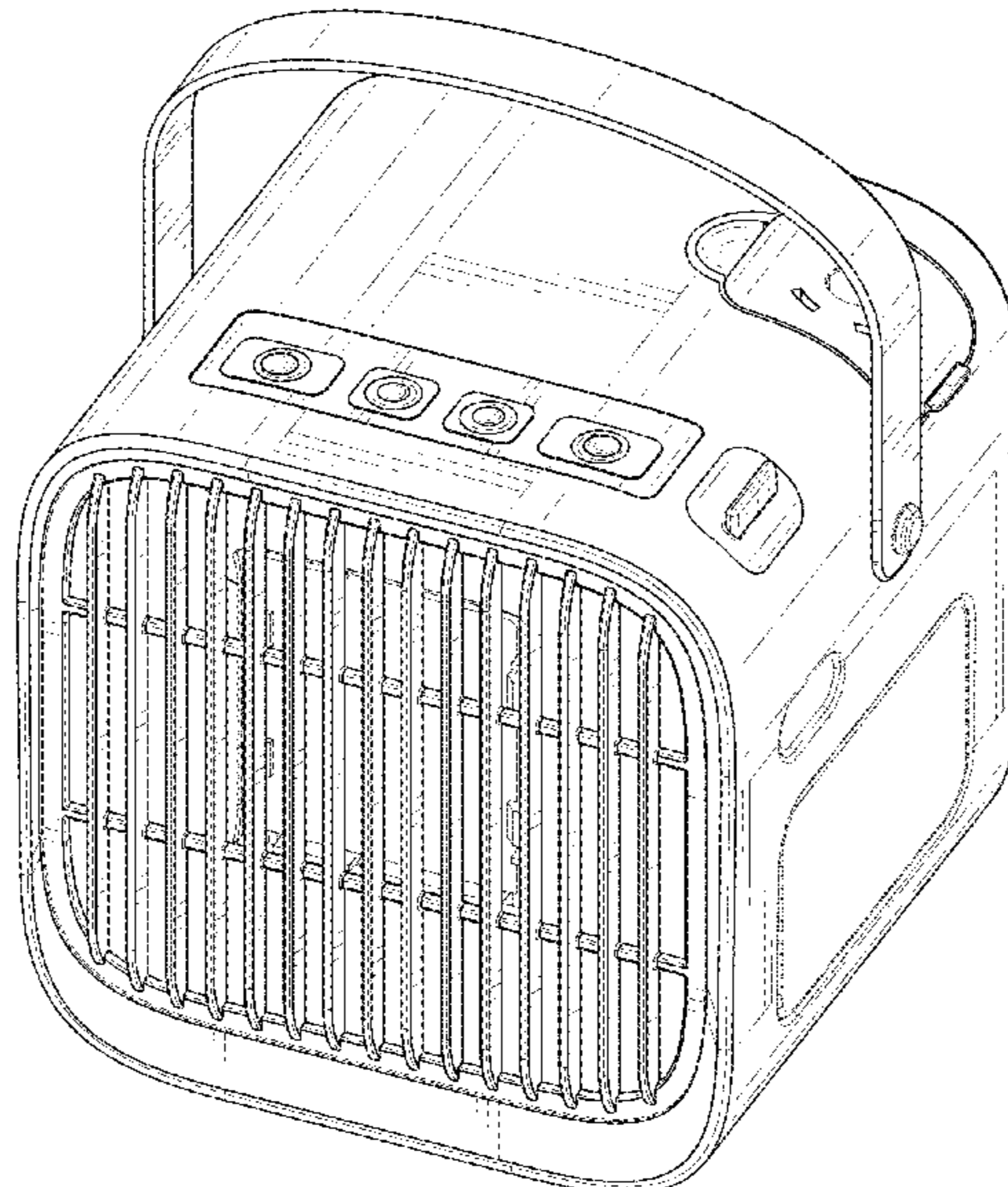
(57) **CLAIM**

The ornamental design for a tabletop air heater, as shown and described.

DESCRIPTION

FIG. 1 is a front view of a tabletop air heater showing the new design;
FIG. 2 is a rear view thereof;
FIG. 3 is a left side view thereof;
FIG. 4 is a right side view thereof;
FIG. 5 is a top plan view thereof;
FIG. 6 is a bottom view thereof; and,
FIG. 7 is a perspective view thereof.
The broken lines depict portions of the tabletop air heater that form no part of the claimed design.

1 Claim, 7 Drawing Sheets



(56)

References Cited

U.S. PATENT DOCUMENTS

2014/0260402 A1* 9/2014 Varma F24F 5/0035
62/314
2020/0173687 A1* 6/2020 Zhou F24H 9/0063

* cited by examiner

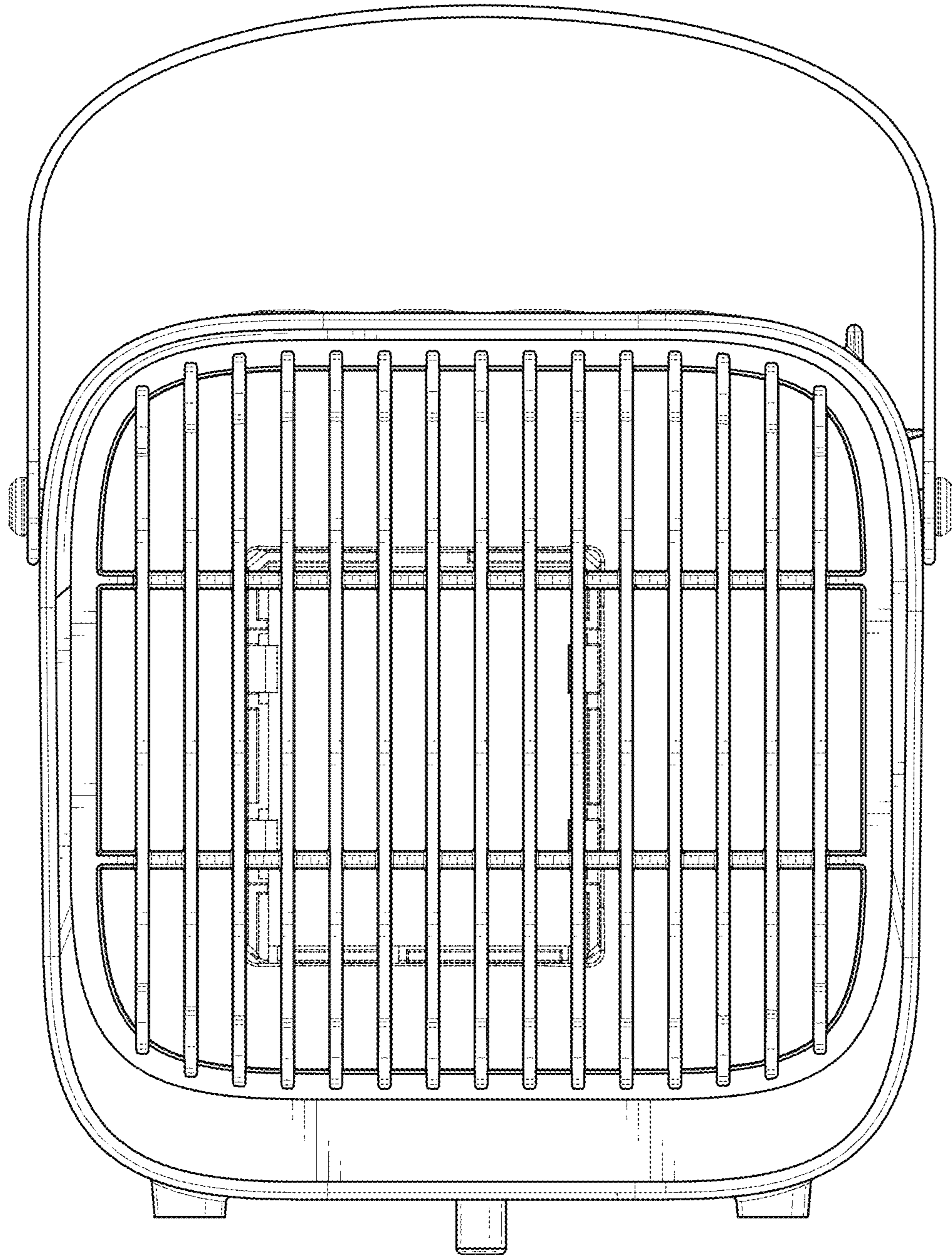


FIG. 1

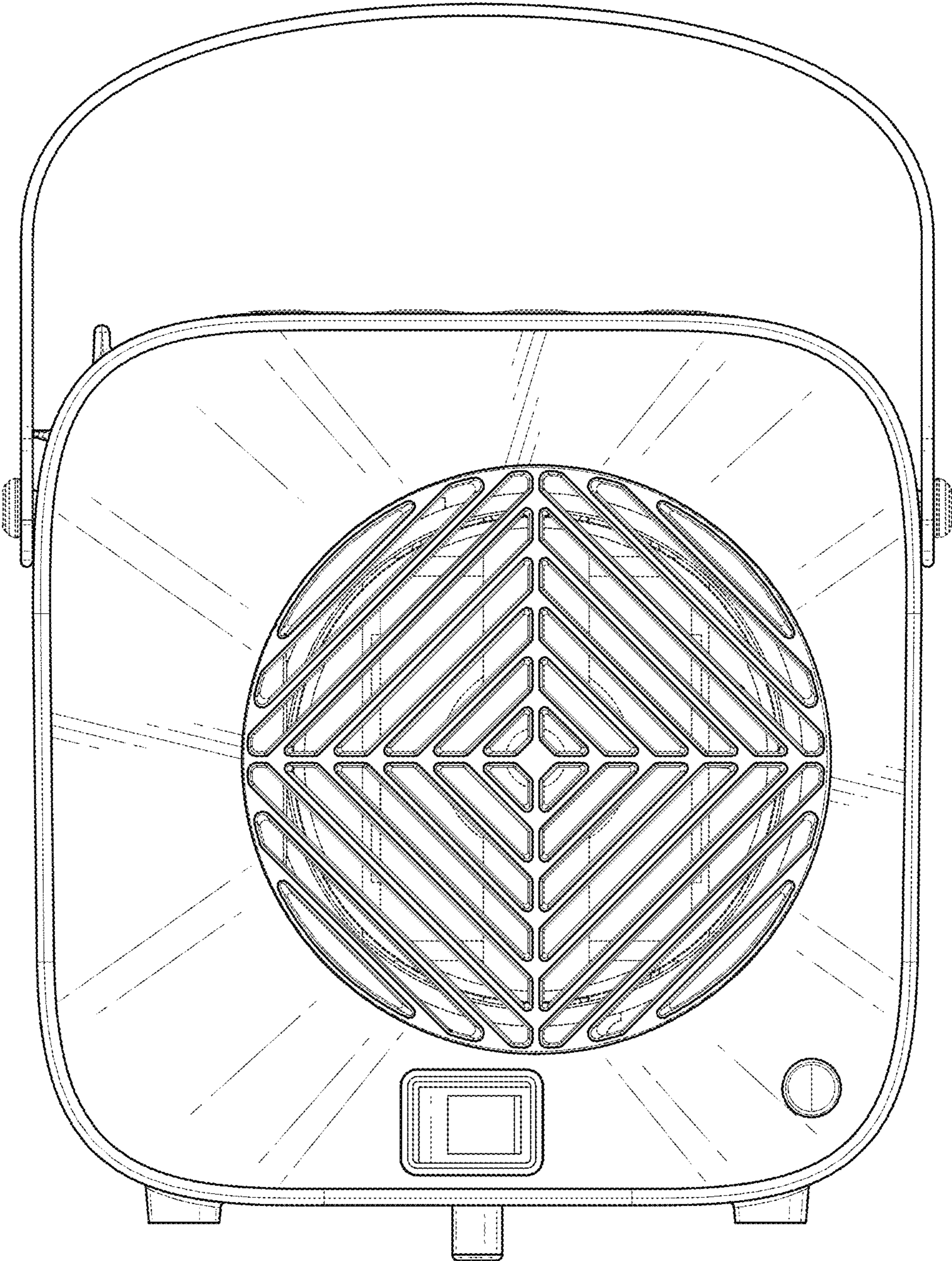


FIG. 2

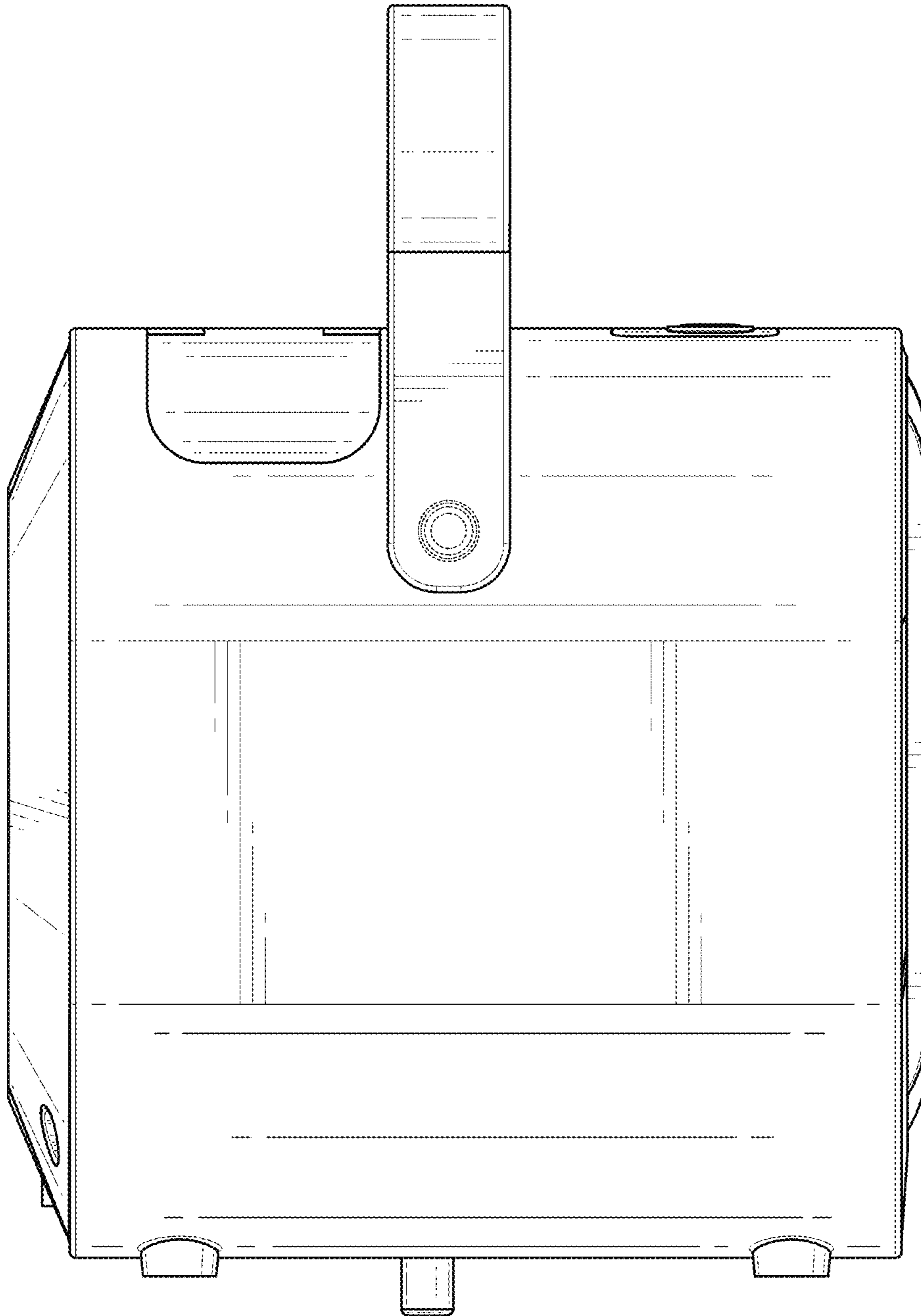


FIG. 3

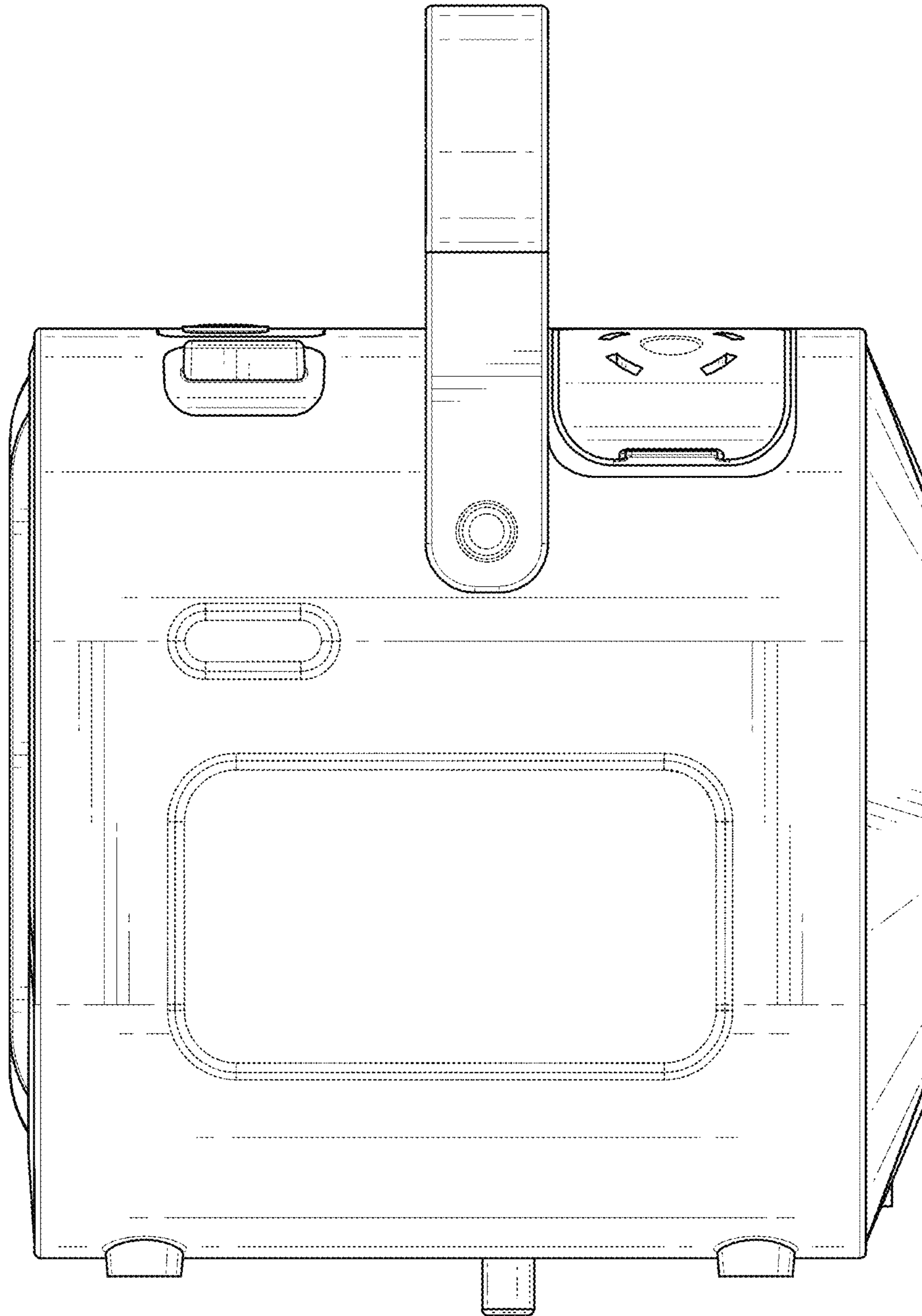


FIG. 4

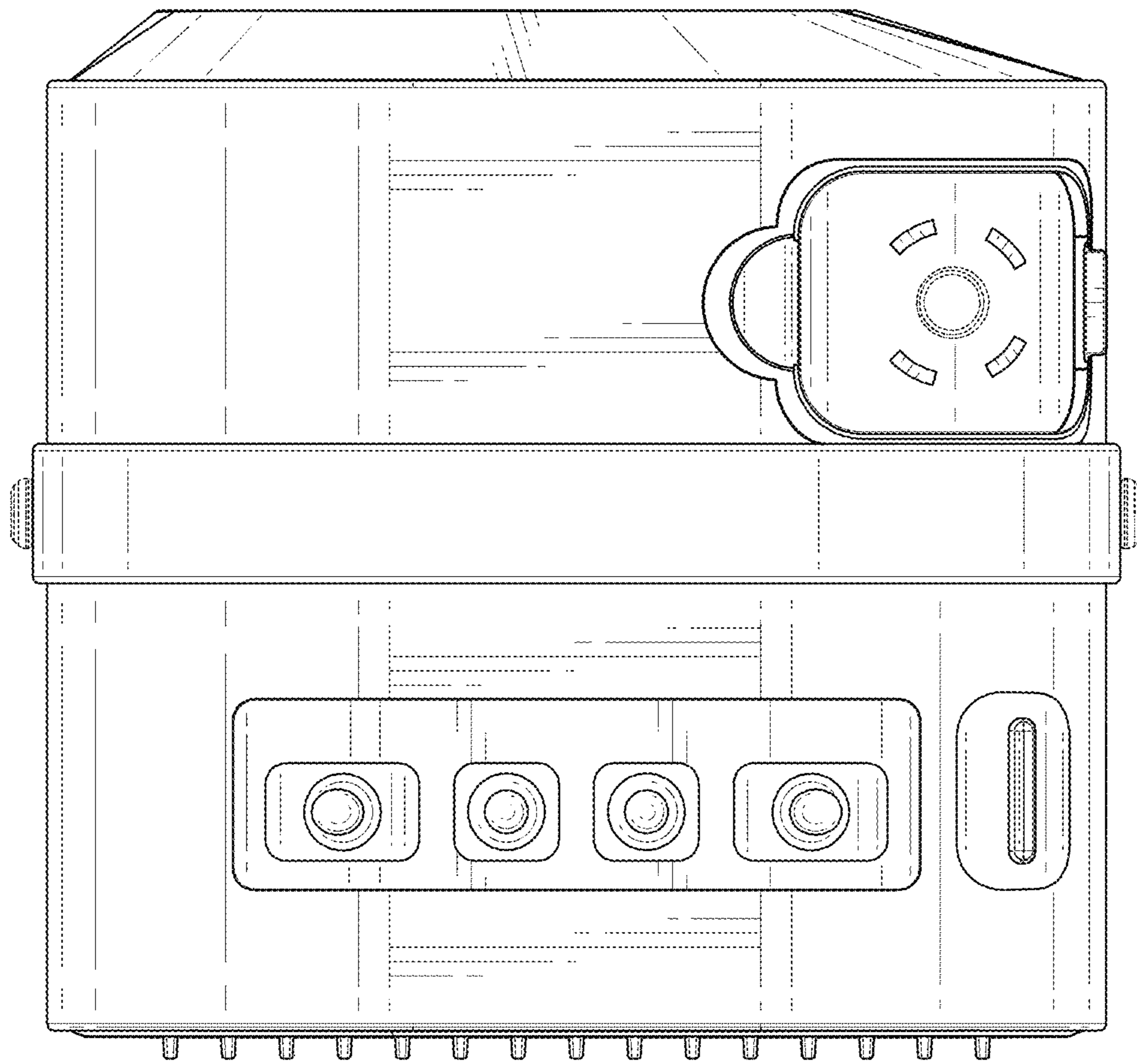


FIG. 5

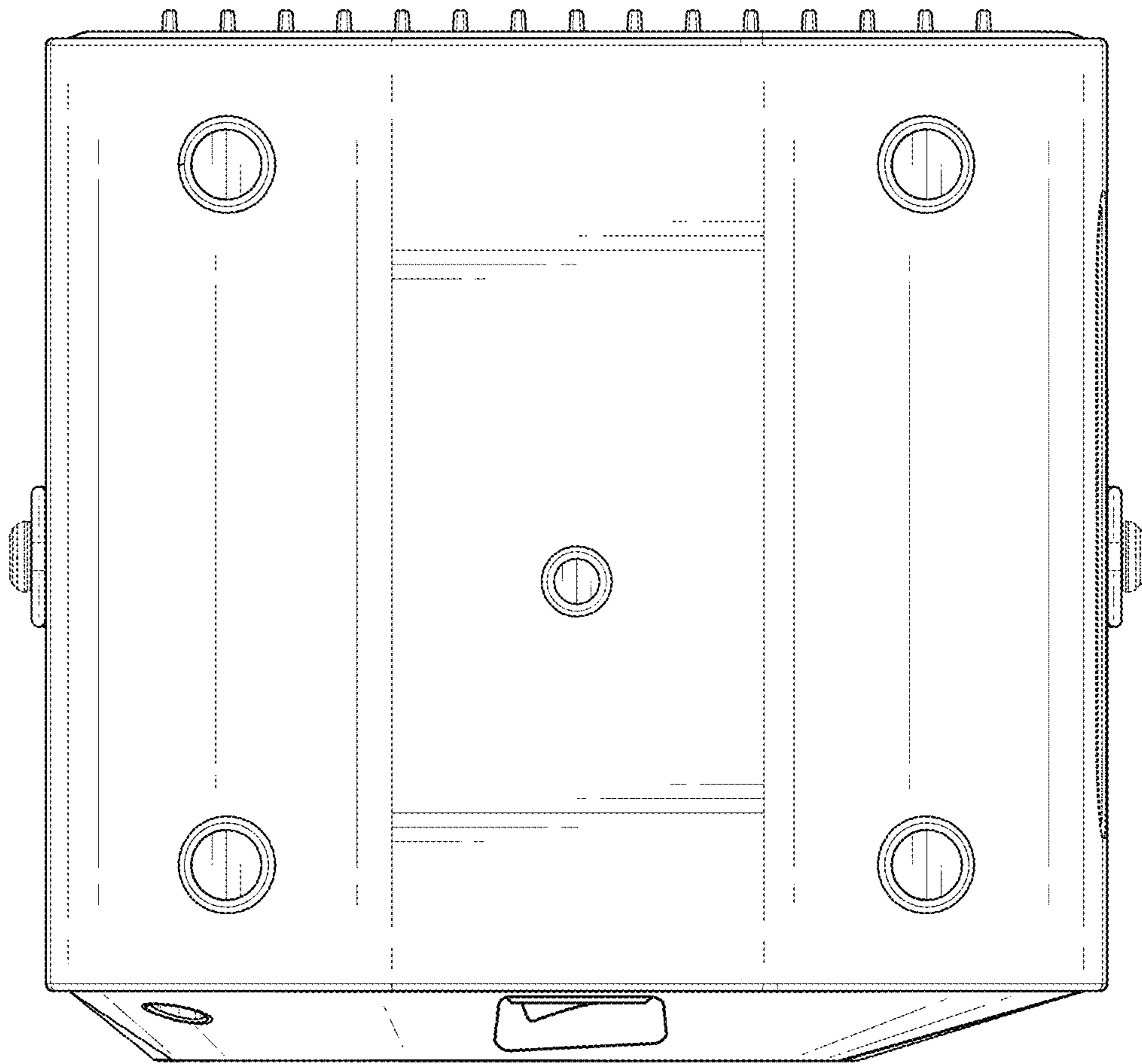


FIG. 6

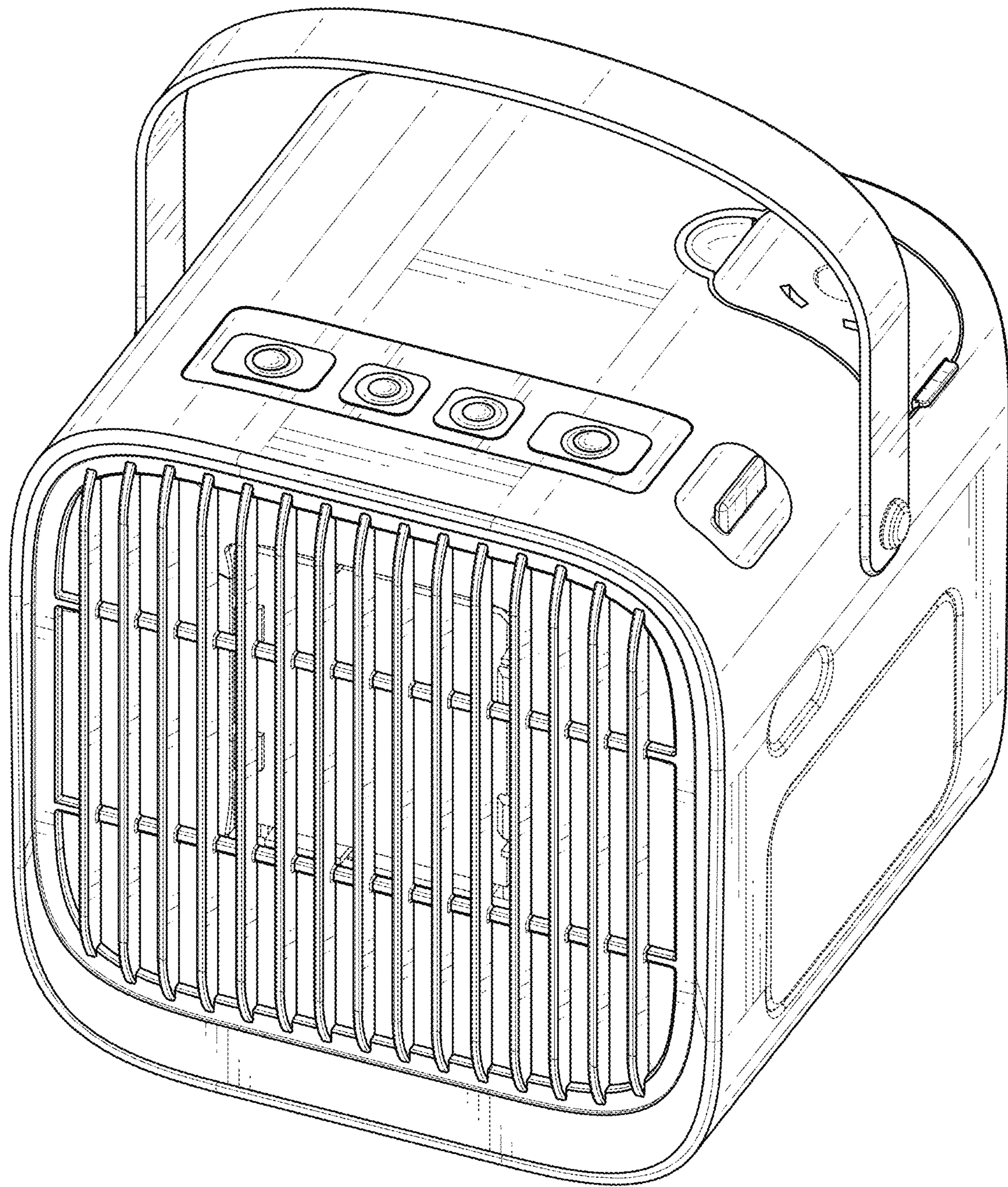


FIG. 7