



US00D983336S

(12) **United States Design Patent**
Han et al.

(10) **Patent No.:** **US D983,336 S**
(45) **Date of Patent:** **** Apr. 11, 2023**

(54) **WATER HEATER**
(71) Applicant: **LG ELECTRONICS INC.**, Seoul (KR)
(72) Inventors: **Yoojeung Han**, Seoul (KR); **Seungho Baek**, Seoul (KR); **Jeeyoung Yeon**, Seoul (KR); **Yunseo Jang**, Seoul (KR); **Chinsoo Hyon**, Seoul (KR)
(73) Assignee: **LG ELECTRONICS INC.**, Seoul (KR)

(**) Term: **15 Years**
(21) Appl. No.: **29/770,317**
(22) Filed: **Feb. 11, 2021**

(30) **Foreign Application Priority Data**
Jan. 7, 2021 (KR) 30-2021-0000866

(51) **LOC (14) Cl.** **23-03**
(52) **U.S. Cl.**
USPC **D23/318**

(58) **Field of Classification Search**
USPC D23/351, 403, 333, 318, 317, 325, 328, D23/332, 342, 353, 355, 356, 357, 361, D23/370, 378, 379, 385, 411
CPC B01D 46/88; B01D 46/4227; B01D 46/0005; B01D 46/46; B01D 2279/50; F24F 1/0011; F24F 1/0073; F24F 1/0057; F24F 1/0014; F24F 13/20; F24F 11/74; F24F 1/0067; F24F 13/12; F24F 2221/26; F24F 7/013; F24F 13/28; F24F 1/0358; F04D 5/12; F04D 27/004; F04D 29/601; E06B 7/02; A61L 9/12; H01H 19/00; H01H 13/705; B60K 35/00; G01D 11/28; G05G 1/015; G05G 1/105
See application file for complete search history.

(56) **References Cited**
U.S. PATENT DOCUMENTS

D696,389 S * 12/2013 Harden D23/318
D820,418 S * 6/2018 Schlag D23/318

D870,253 S * 12/2019 Jang D23/318
D897,511 S * 9/2020 Deivasigamani D23/318
D941,972 S * 1/2022 Higashijima D23/318
D944,958 S * 3/2022 Yan D23/364
D945,587 S * 3/2022 Yan D23/364
D947,339 S * 3/2022 Yu D23/364
D947,342 S * 3/2022 Xu D23/364
D948,019 S * 4/2022 Kim D23/364
D948,692 S * 4/2022 Luu D23/364

(Continued)

OTHER PUBLICATIONS

Design Award 2020—LG Inverter Heat-pump Water Heater, available on ifdesign.com, published online [2020] [site visited Aug. 10, 2022] Internet URL: <https://ifdesign.com/en/winner-ranking/project/lg-inverter-heat-pump-water-heater/284398> (Year: 2020).*

(Continued)

Primary Examiner — Amy C Wierenga
Assistant Examiner — Andrea Marie McKay
(74) *Attorney, Agent, or Firm* — Birch, Stewart, Kolasch & Birch, LLP

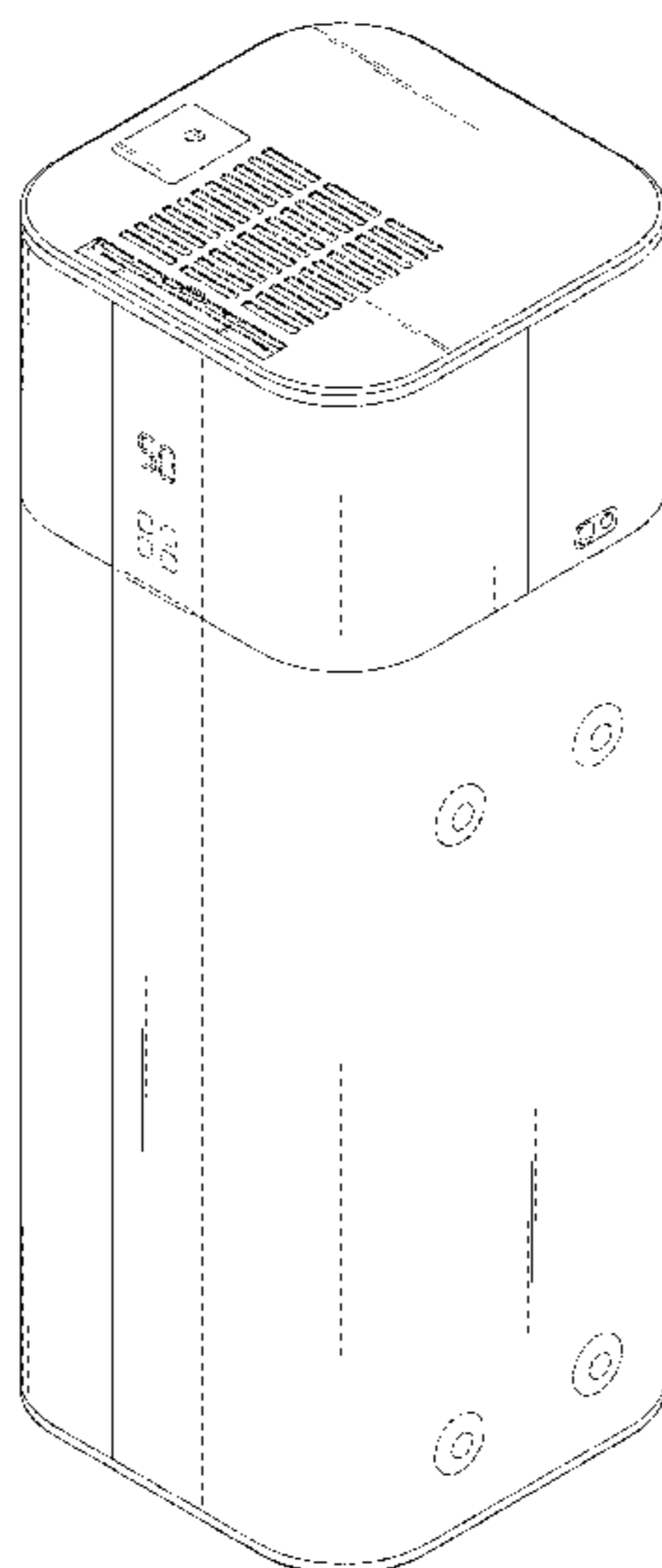
(57) **CLAIM**

We claim the ornamental design for a water heater, as shown and described.

DESCRIPTION

FIG. 1 is a front perspective view of a water heater showing the new design;
FIG. 2 is a rear perspective view thereof;
FIG. 3 is a front elevation view thereof;
FIG. 4 is a rear elevation view thereof;
FIG. 5 is a left-side elevation view thereof;
FIG. 6 is a right-side elevation view thereof;
FIG. 7 is a top plan view thereof; and,
FIG. 8 is a bottom plan view thereof.
The broken lines represent portions of the water heater that form no part of the claimed design.

1 Claim, 8 Drawing Sheets



(56)

References Cited

U.S. PATENT DOCUMENTS

D948,693	S	*	4/2022	Li	D23/364
D948,694	S	*	4/2022	Wang	D23/364
D949,311	S	*	4/2022	Yan	D23/364
D951,416	S	*	5/2022	Yan	D23/364
D951,417	S	*	5/2022	Yan	D23/364
D951,418	S	*	5/2022	Yan	D23/364
D952,822	S	*	5/2022	Juhlin	D23/364
D953,507	S	*	5/2022	Yan	D23/364
D953,508	S	*	5/2022	Yan	D23/364
D953,509	S	*	5/2022	Yan	D23/364
D954,242	S	*	6/2022	Yan	D23/364
D954,243	S	*	6/2022	Yan	D23/364
D954,925	S	*	6/2022	Lee	D23/364
D955,541	S	*	6/2022	Lee	D23/364
D955,542	S	*	6/2022	Lee	D23/364
D955,543	S	*	6/2022	Lee	D23/364
D956,941	S	*	7/2022	Yan	D23/364
D957,597	S	*	7/2022	Higashijima	D23/318
D962,402	S	*	8/2022	Tietge	D23/318

OTHER PUBLICATIONS

Reddot—Heat Pump and Water Heater, available on red-dot.org, published online [2020] [site visited Aug. 10, 2022] Internet URL:

<https://www.red-dot.org/zh/project/heat-pump-and-water-heater-45767> (Year: 2020).*

LG Electronics Social Magazine—LG Electronics Unveils Dual Inverter Heat Pump Water Heater, available on live.lge.co.kr, LG Electronics Press Release Dec. 18, 2020 online [2020] [site visited Aug. 10, 2022] Internet URL: <https://live.lge.co.kr/lg-dual-inverter-heat-pump-water-heater/> (Year: 2020).*

LG Inverter Heatpump Water Heater—Brochure, available on heytec.be, published online [2018] [site visited Aug. 10, 2022] Internet URL: https://www.heytec.be/wp-content/uploads/2018/05/LG-HEAT-PUMP-WATER-HEATER_ENG-compressed.pdf (Year: 2018).*

LG Helps Drive Market Transformation by Broadening Heat Pump Product Line in 2022, available on www.prnewswire.com, published Feb. 9, 2022 [online] [site visited Aug. 10, 2022] Internet URL: <https://www.prnewswire.com/news-releases/lg-helps-drive-market-transformation-by-broadening-heat-pump-product-line-in-2022-301478431.html> (Year: 2022).*

Scaldacqua—A Pompa Di Calore Inverter LG, available on www.vpsolar.com, copyright date 2021 [online] [site visited Aug. 10, 2022] Internet URL: https://www.vpsolar.com/download/catalog/Pompe-di-calore/LG/Therma-V-WHxxS/LG_WHxxS_brochure_IT.pdf (Year: 2021).*

* cited by examiner

FIG. 1

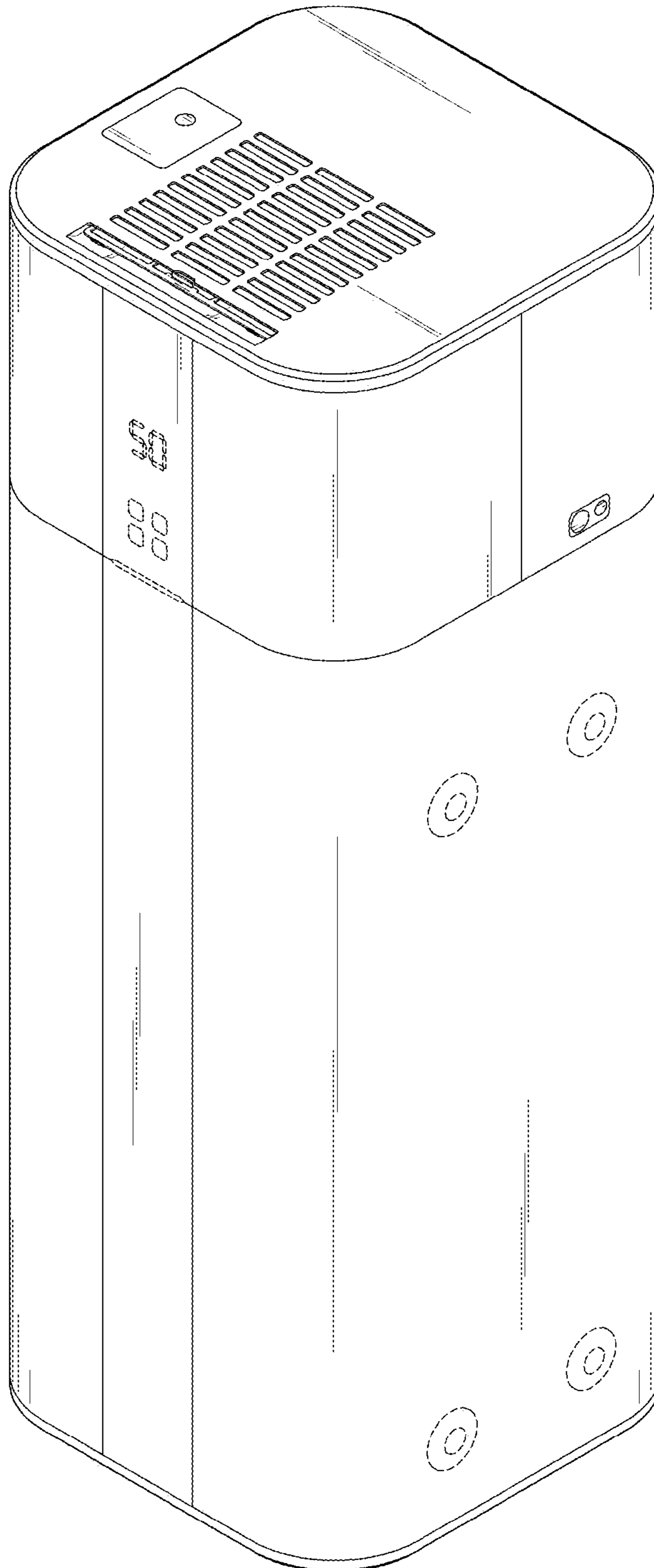


FIG. 2

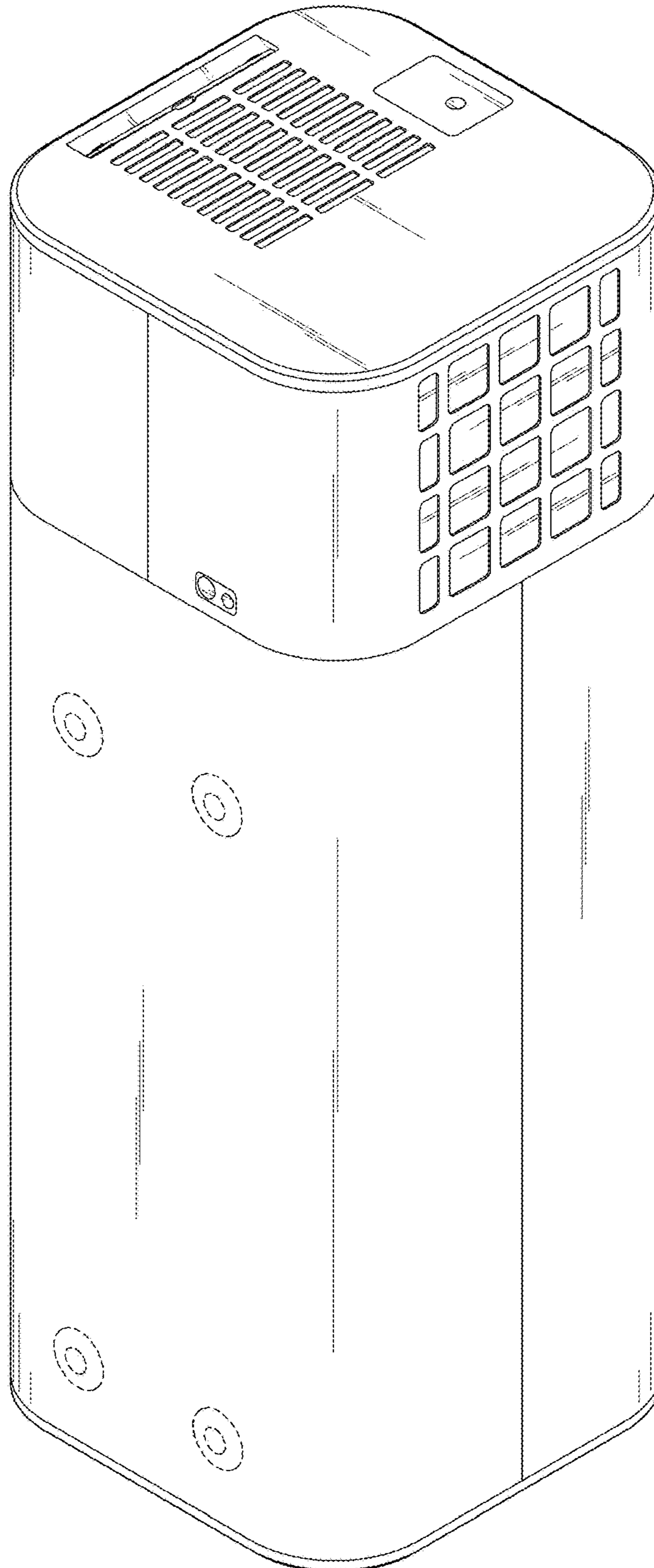


FIG. 3

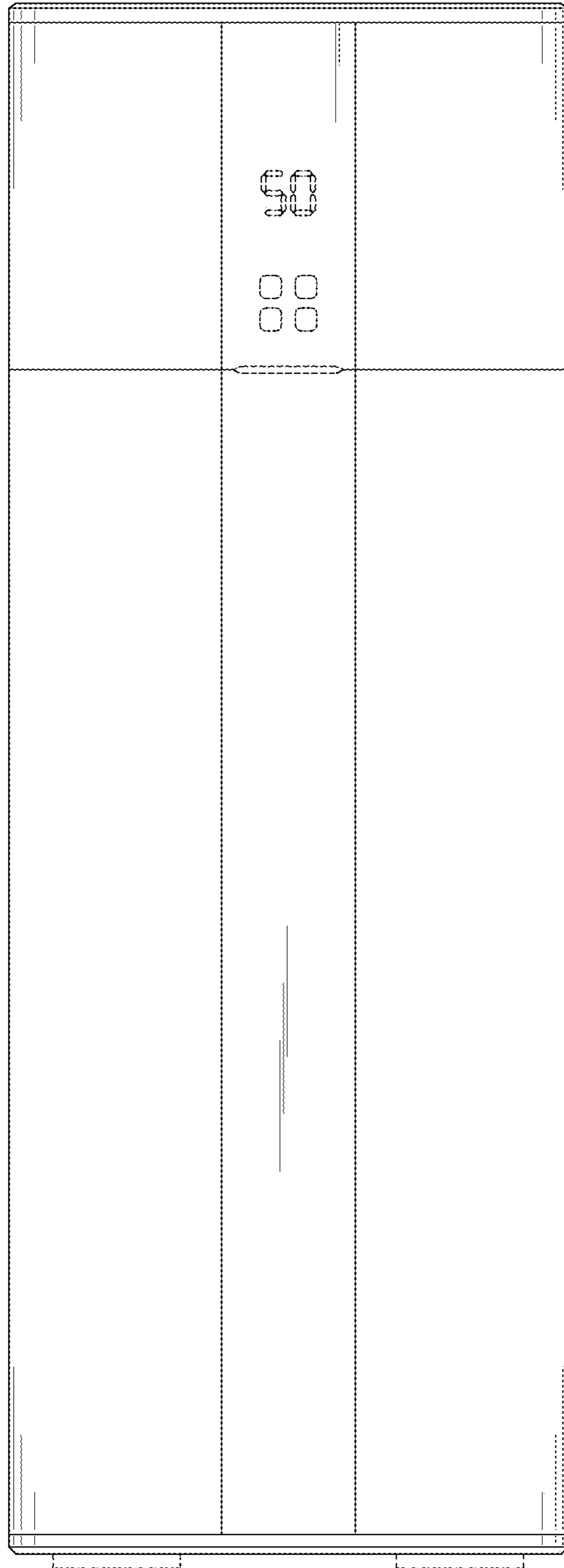


FIG. 4

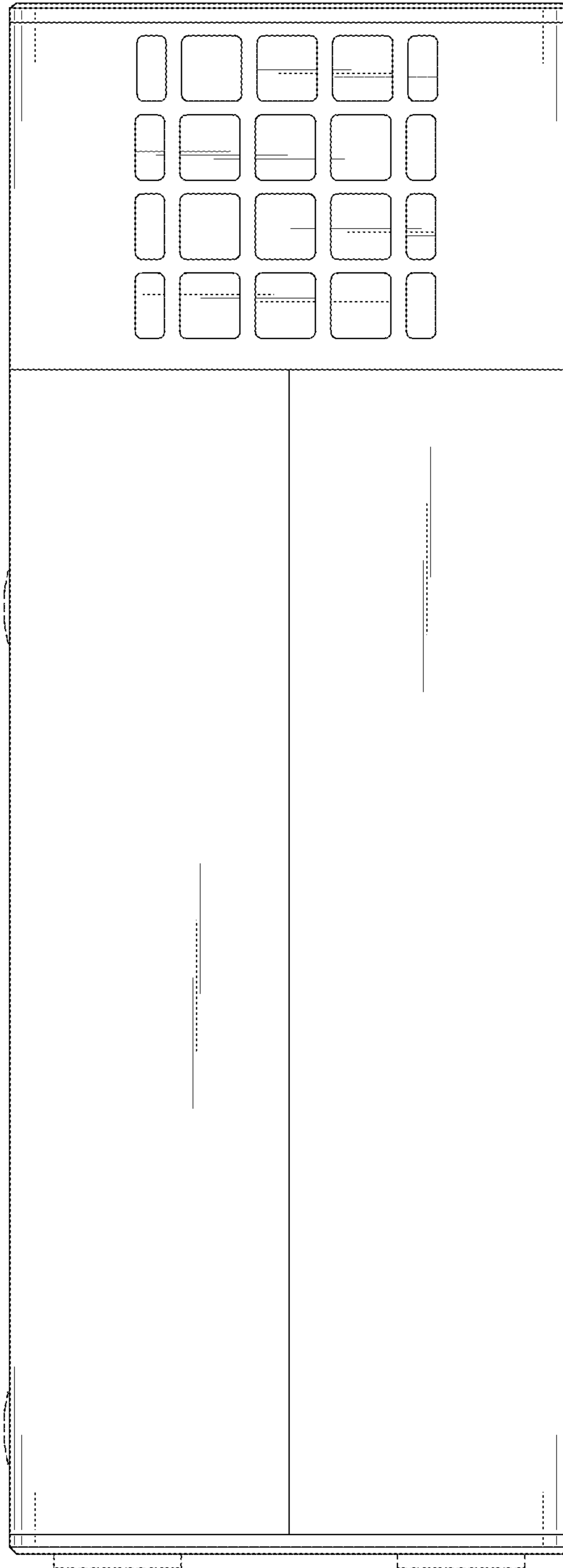


FIG. 5

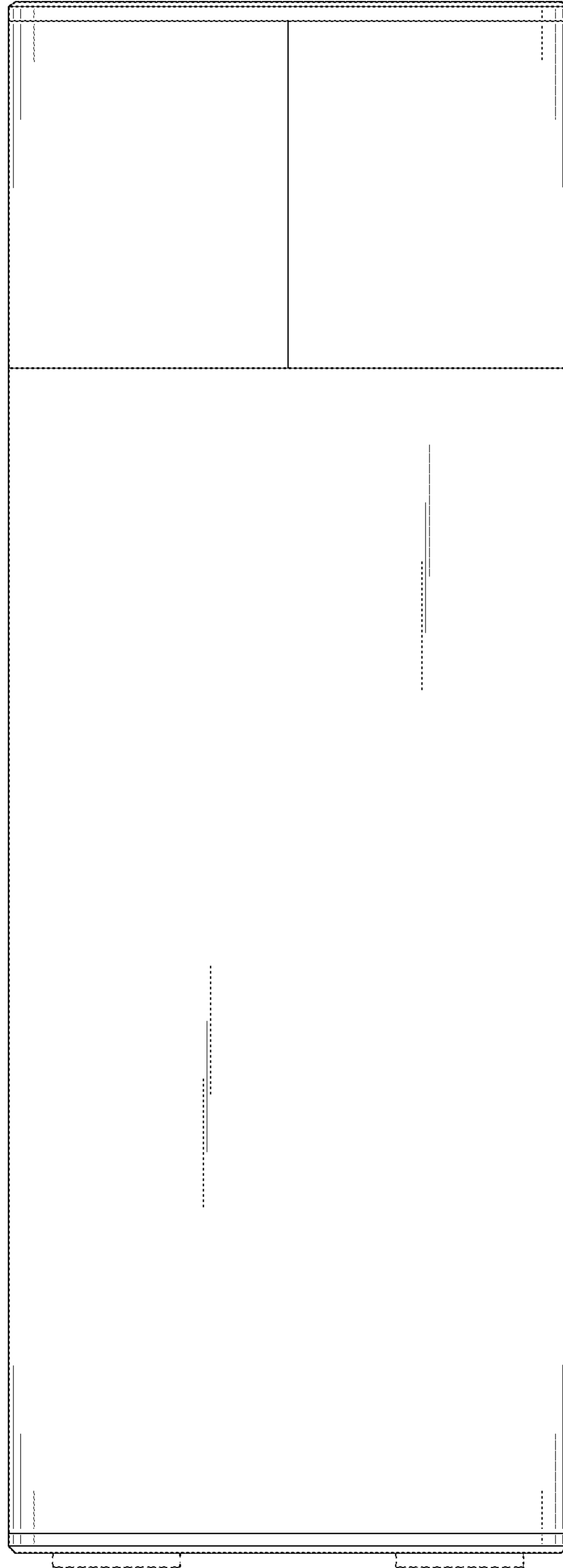


FIG. 6

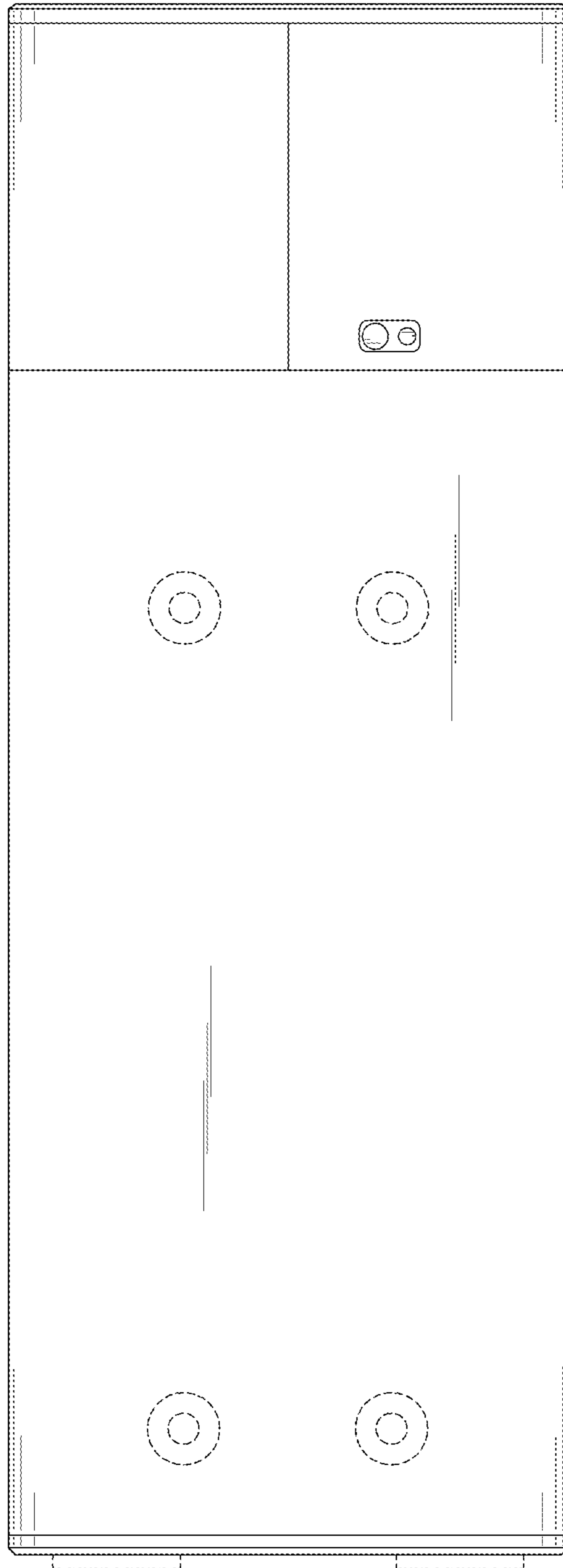


FIG. 7

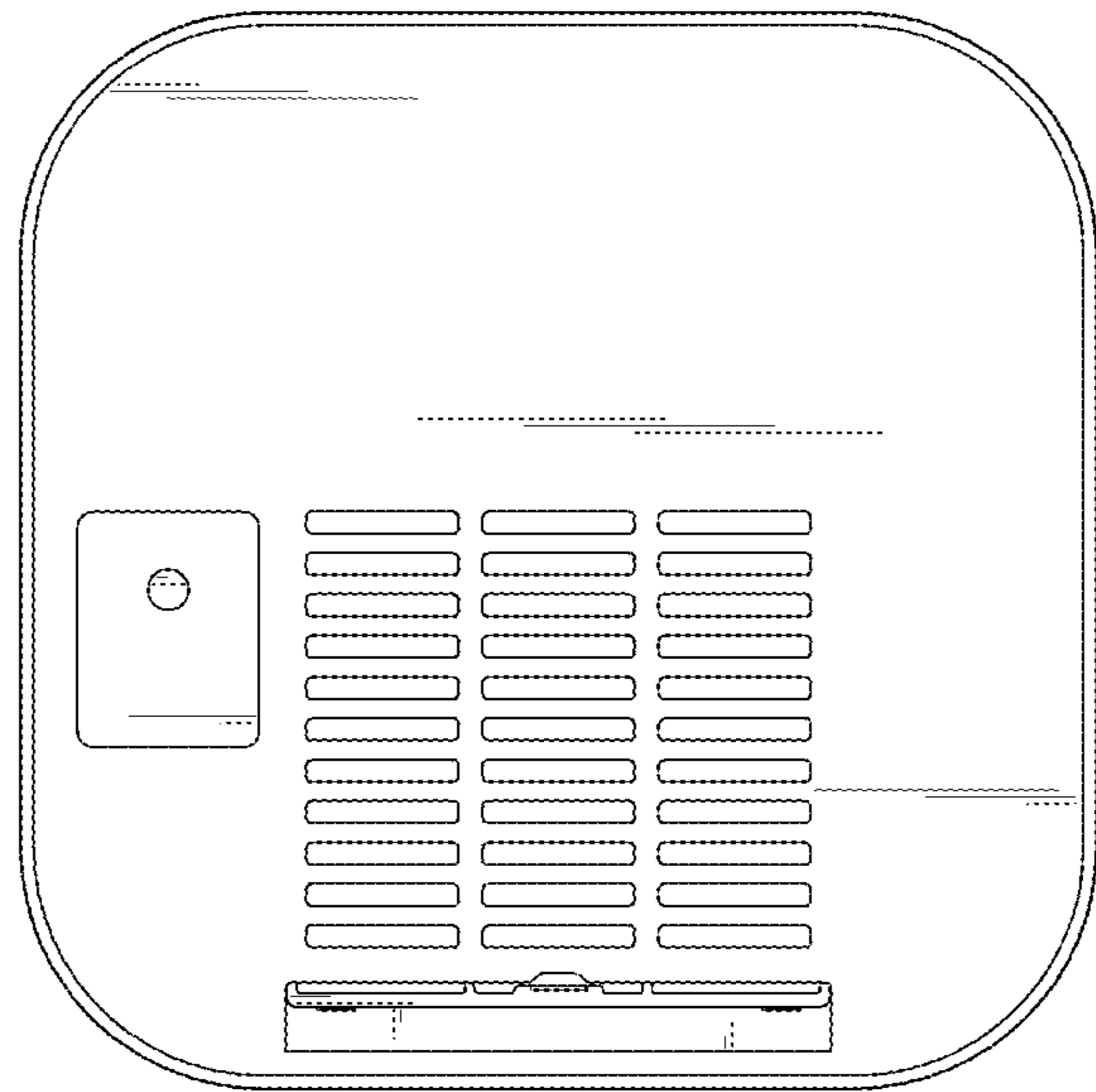


FIG. 8

