



US00D983334S

(12) **United States Design Patent**
Xiong

(10) **Patent No.:** **US D983,334 S**

(45) **Date of Patent:** **** Apr. 11, 2023**

(54) **DRAIN STOPPER**

(71) Applicant: **Yanbo Xiong**, Hangzhou (CN)

(72) Inventor: **Yanbo Xiong**, Hangzhou (CN)

(**) Term: **15 Years**

(21) Appl. No.: **29/862,827**

(22) Filed: **Dec. 17, 2022**

(51) **LOC (14) Cl.** **23-01**

(52) **U.S. Cl.**
USPC **D23/261**

(58) **Field of Classification Search**
USPC D23/259–262; 210/163–164; 4/286–295,
4/613, 679, 684, 689
CPC E02D 31/02; E03F 3/046
See application file for complete search history.

(56) **References Cited**

U.S. PATENT DOCUMENTS

D334,616 S *	4/1993	Nimmo	D23/249
D446,844 S *	8/2001	Claussen	D23/261
D550,819 S *	9/2007	Seehoff	D23/261
D578,619 S *	10/2008	Rattenbury	D23/261
D604,809 S	11/2009	Mannella	
D630,306 S *	1/2011	Seehoff	D23/261
D683,436 S *	5/2013	Feliciano	D23/261
D855,782 S *	8/2019	Karnegie	D23/261

D890,889 S *	7/2020	Liu	D23/261
D900,285 S *	10/2020	Liu	D23/261
D900,982 S	11/2020	Rosario	
D933,171 S *	10/2021	Chen	D23/261
D974,535 S *	1/2023	Liang	D23/261
2009/0094766 A1 *	4/2009	Dombrowski	E03C 1/126 15/105
2018/0202136 A1 *	7/2018	Karnegie	E03C 1/264

* cited by examiner

Primary Examiner — Katie Jane Stofko

(74) *Attorney, Agent, or Firm* — Georgi Korobanov

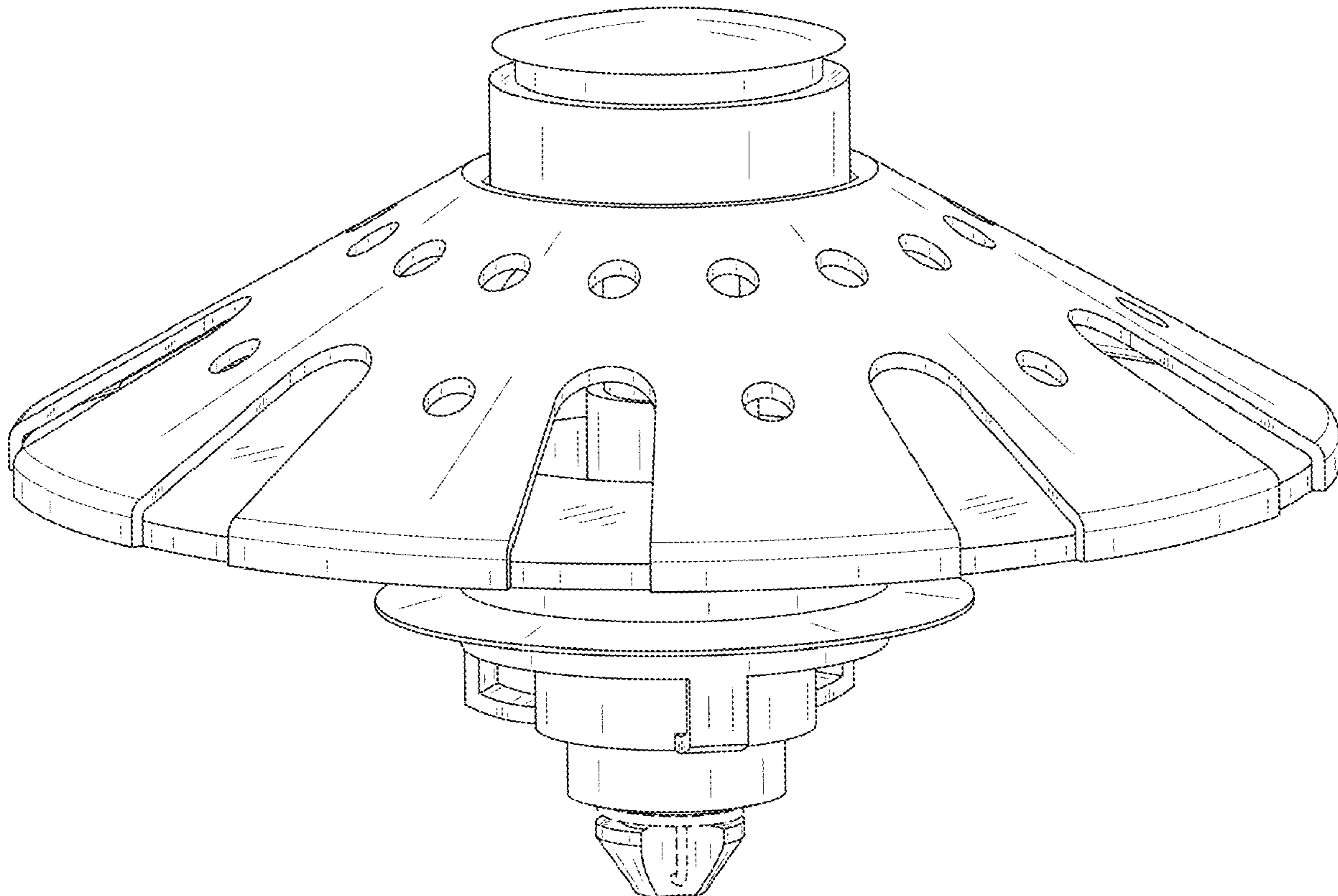
(57) **CLAIM**

The ornamental design for a drain stopper, as shown and described.

DESCRIPTION

FIG. 1 is a rear and top perspective view of a drain stopper, showing my new design;
 FIG. 2 is a front view thereof;
 FIG. 3 is a rear view thereof;
 FIG. 4 is a left side view thereof;
 FIG. 5 is a right side view thereof;
 FIG. 6 is a top plan view thereof;
 FIG. 7 is a bottom plan view thereof; and,
 FIG. 8 is another rear and top perspective view thereof, shown in a state of use.
 The broken lines shown in the drawings illustrate portions of the drain stopper that form no part of the claimed design.

1 Claim, 8 Drawing Sheets



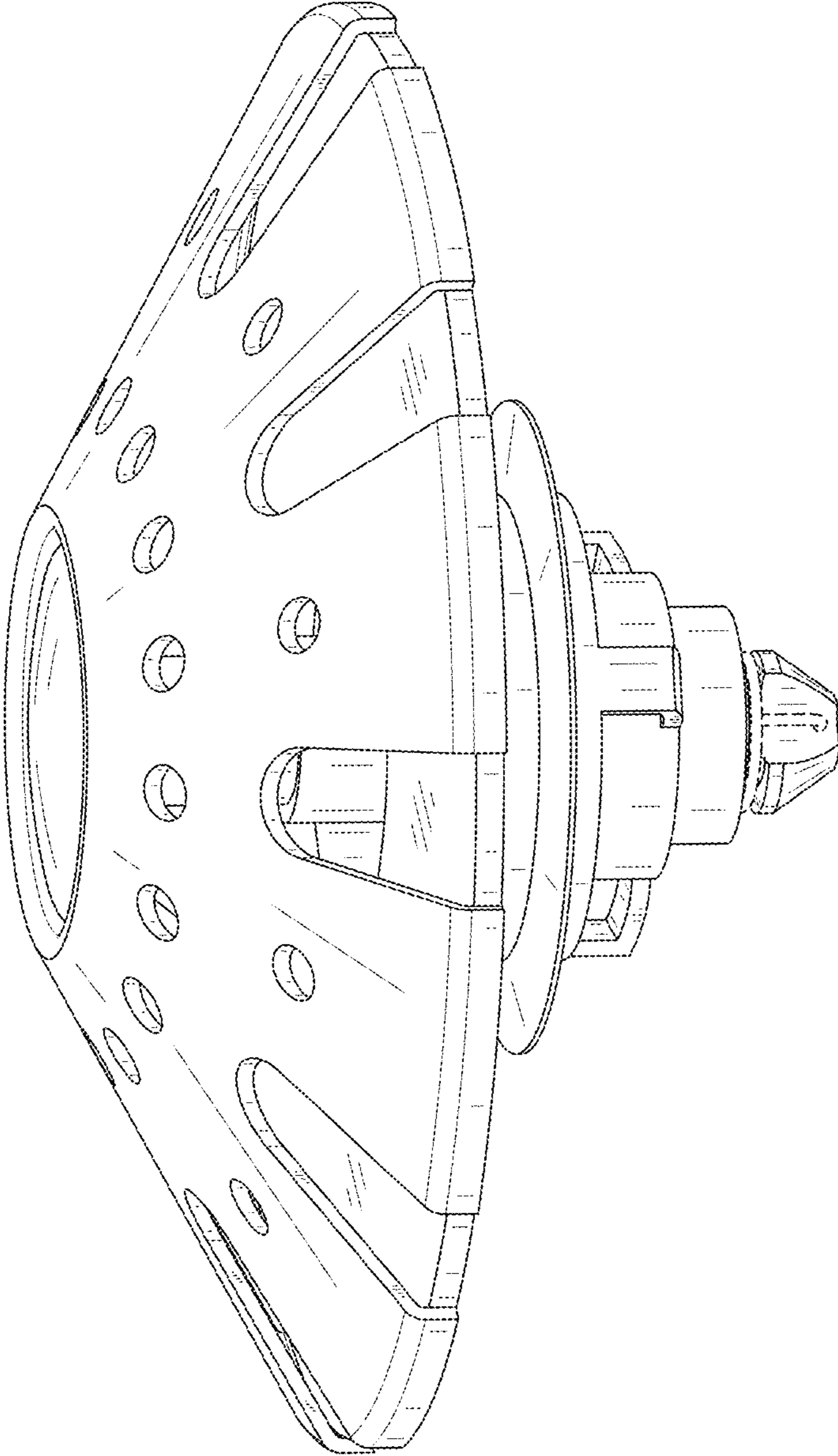


FIG. 1

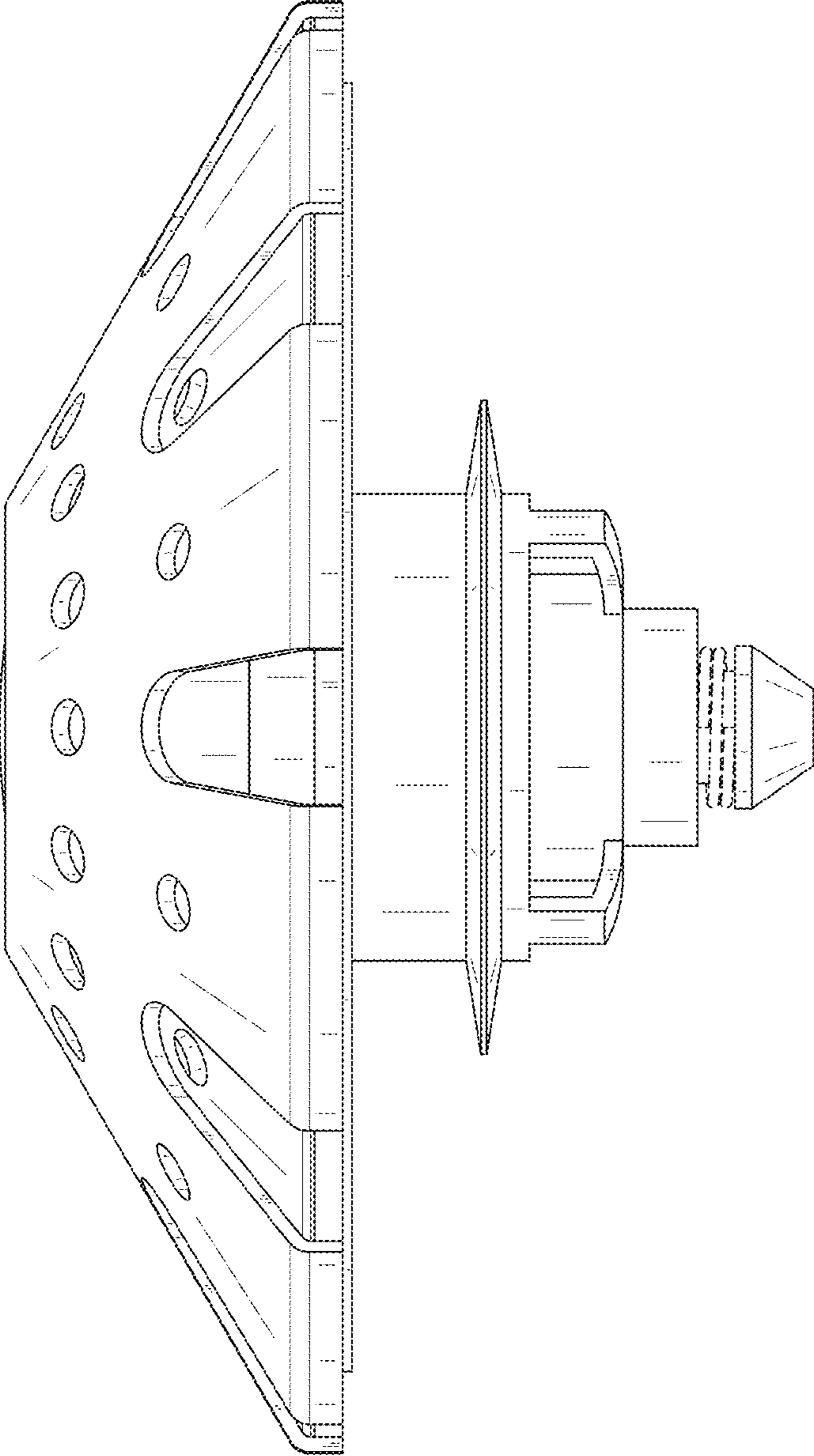


FIG. 2

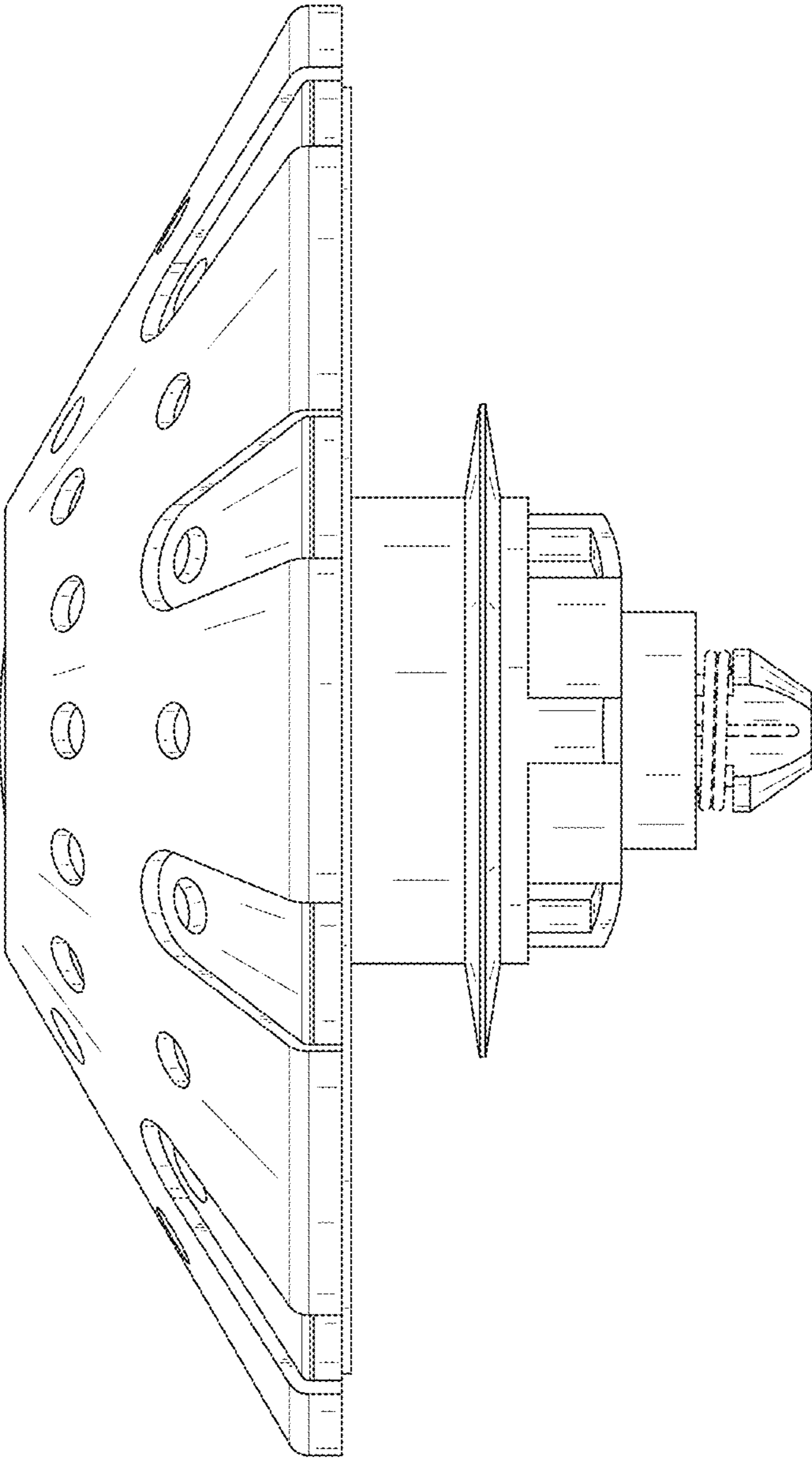


FIG. 3

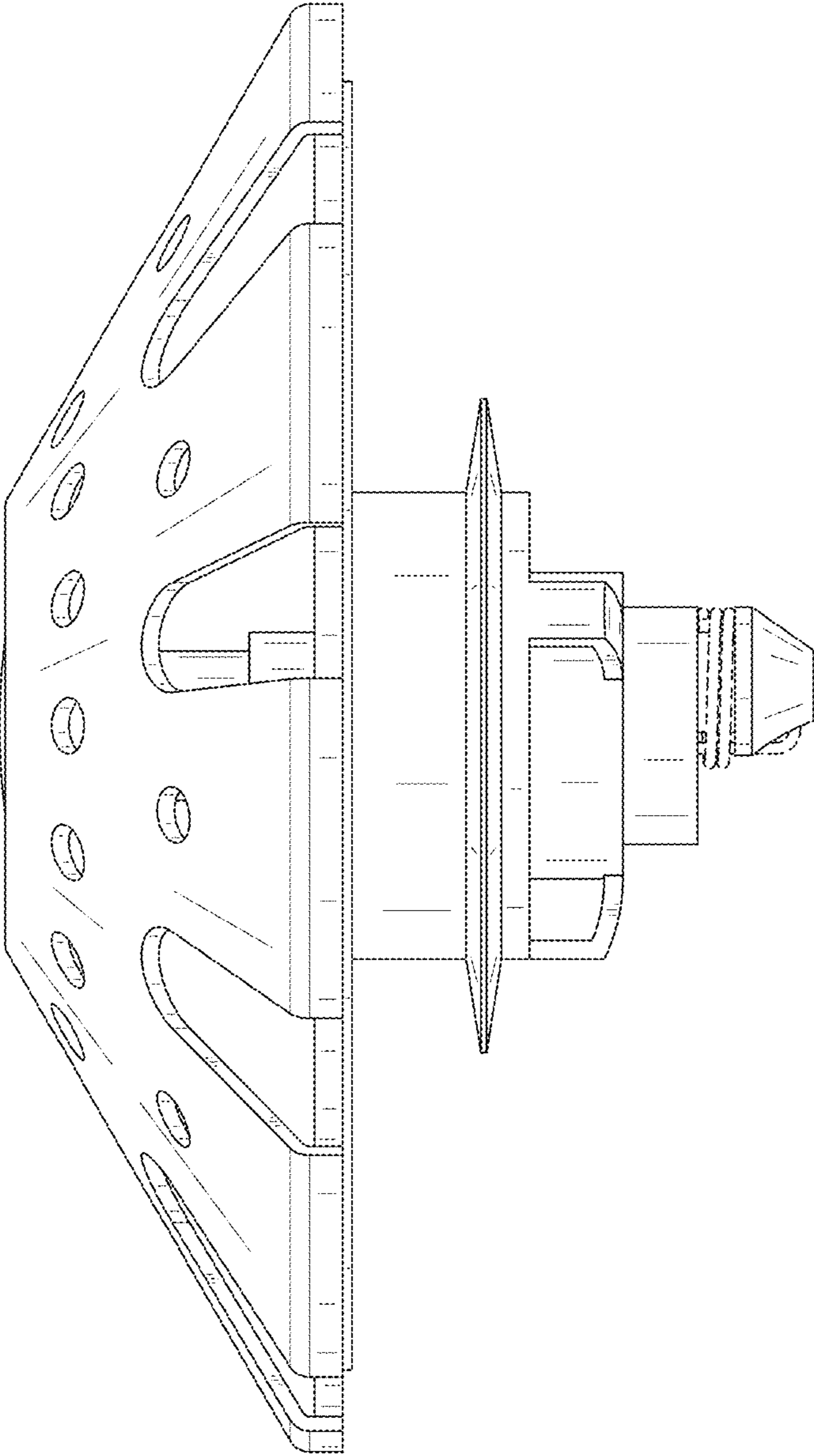


FIG. 4

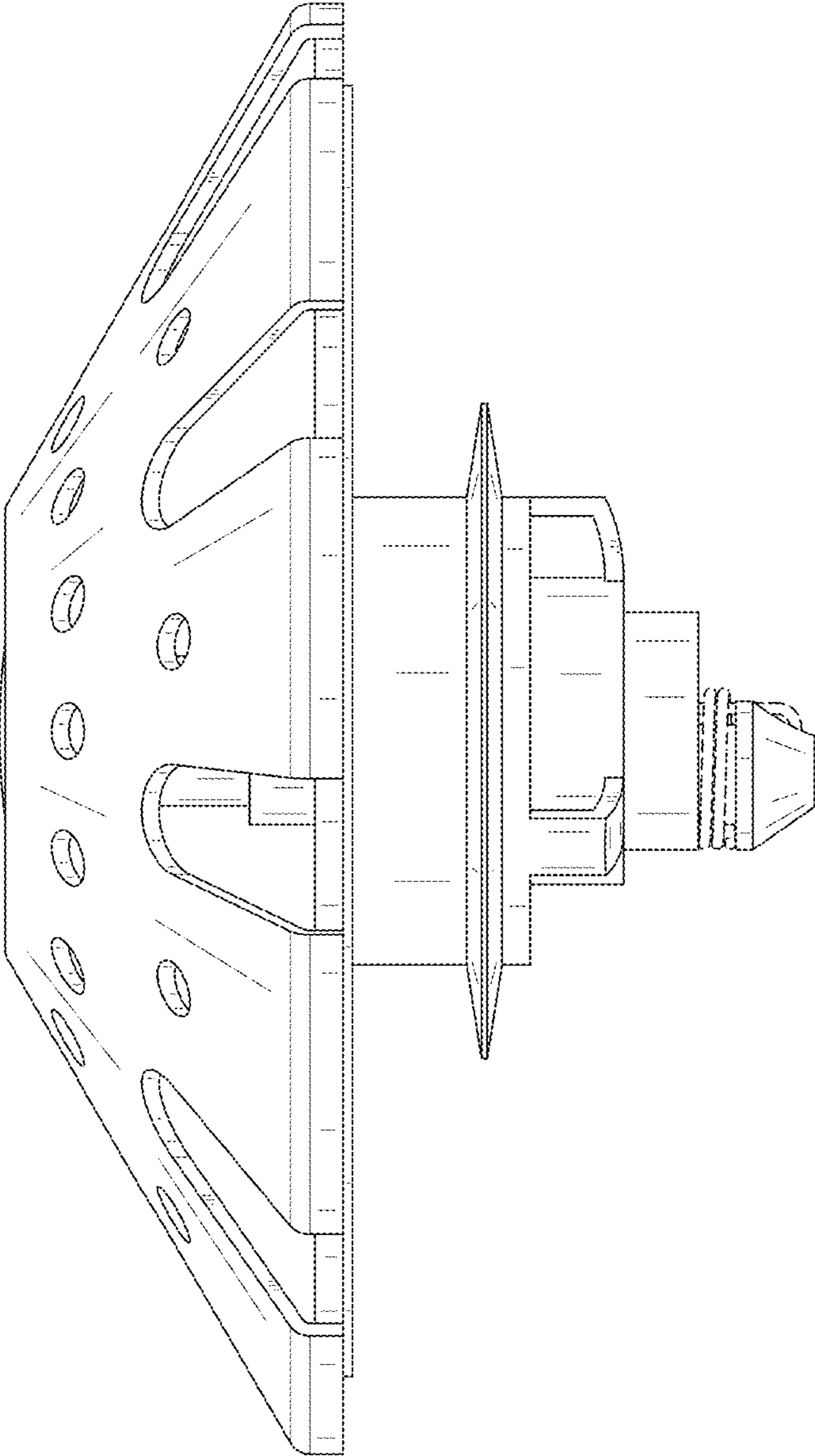


FIG. 5

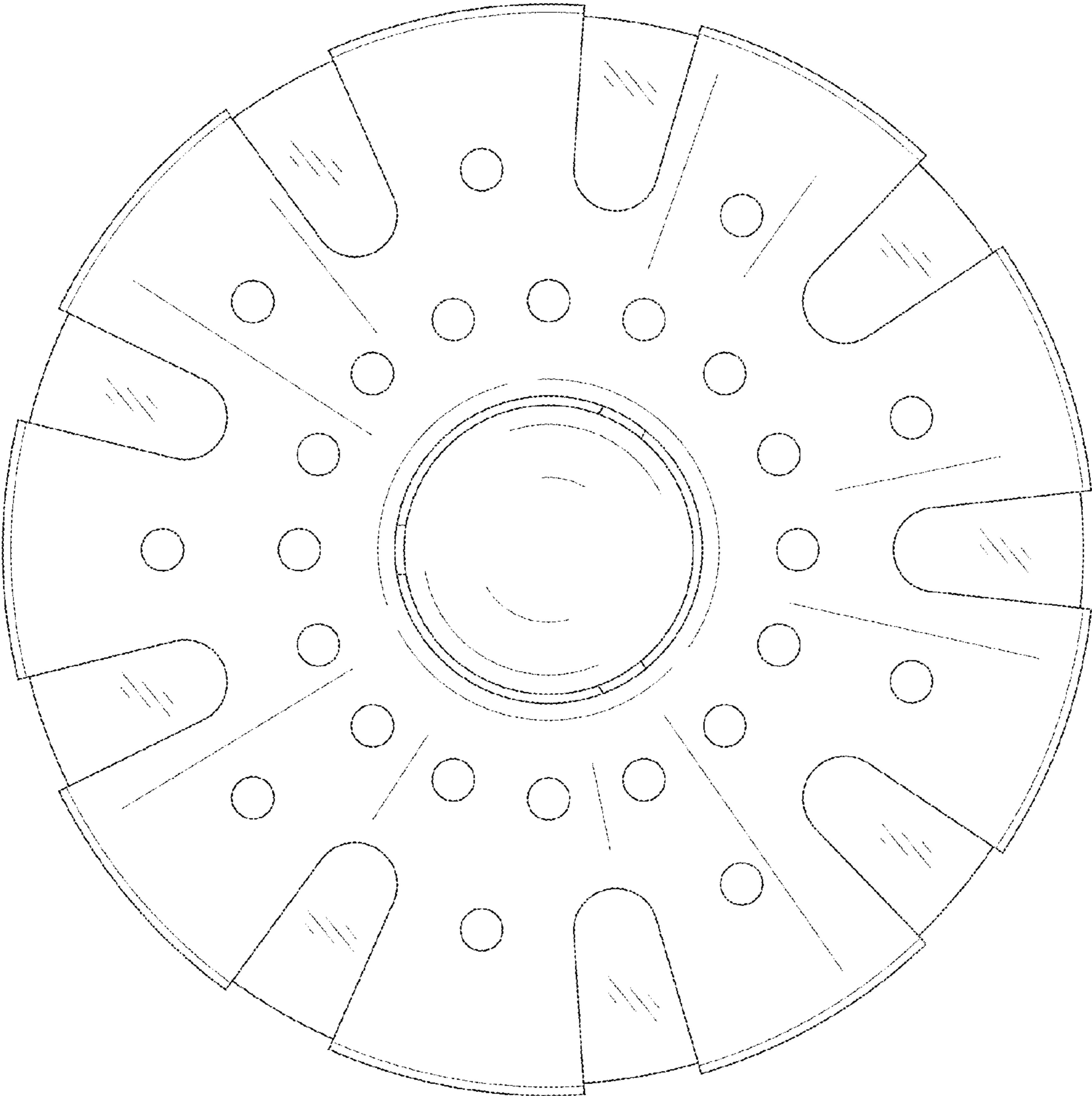


FIG. 6

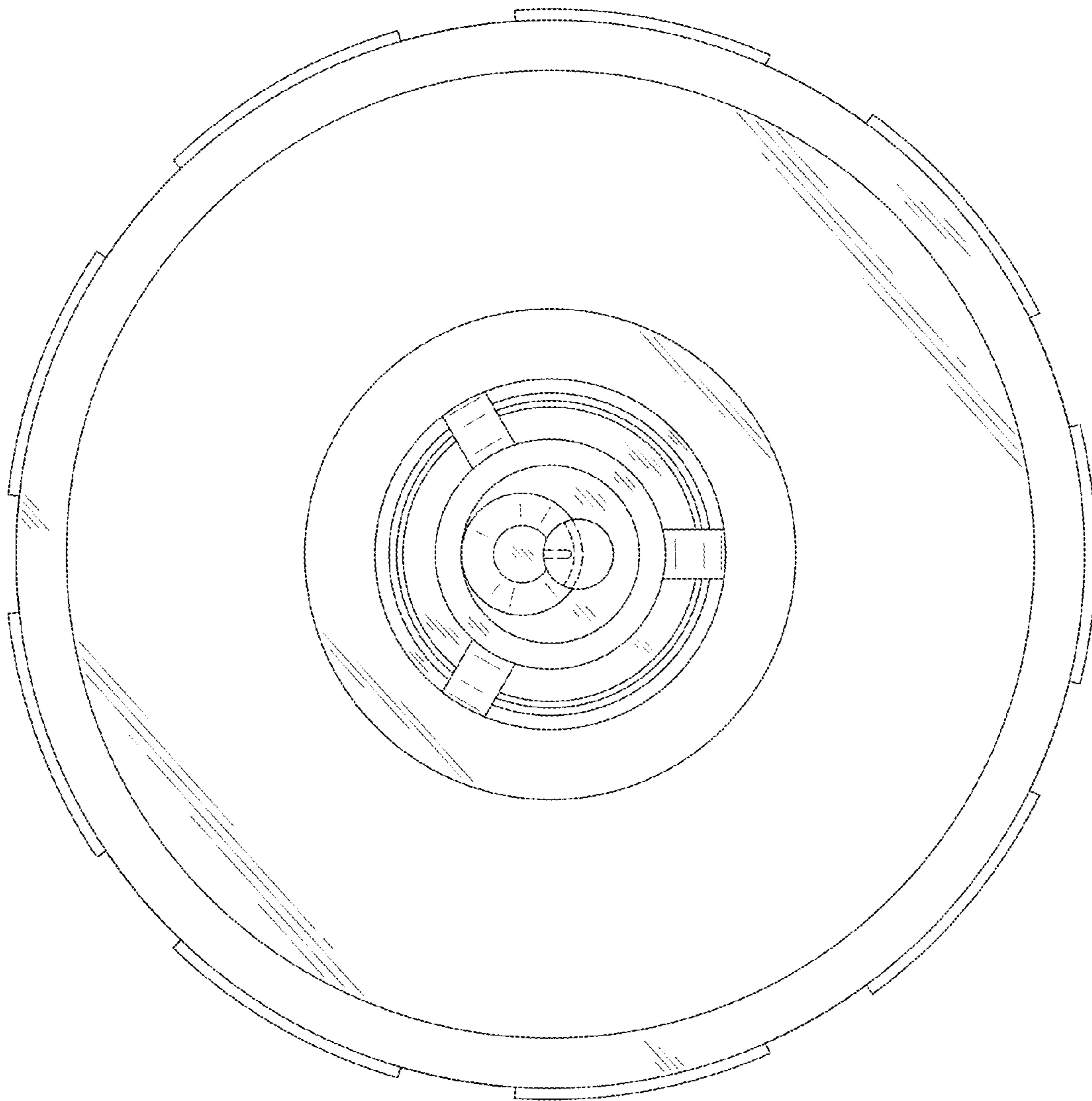


FIG. 7

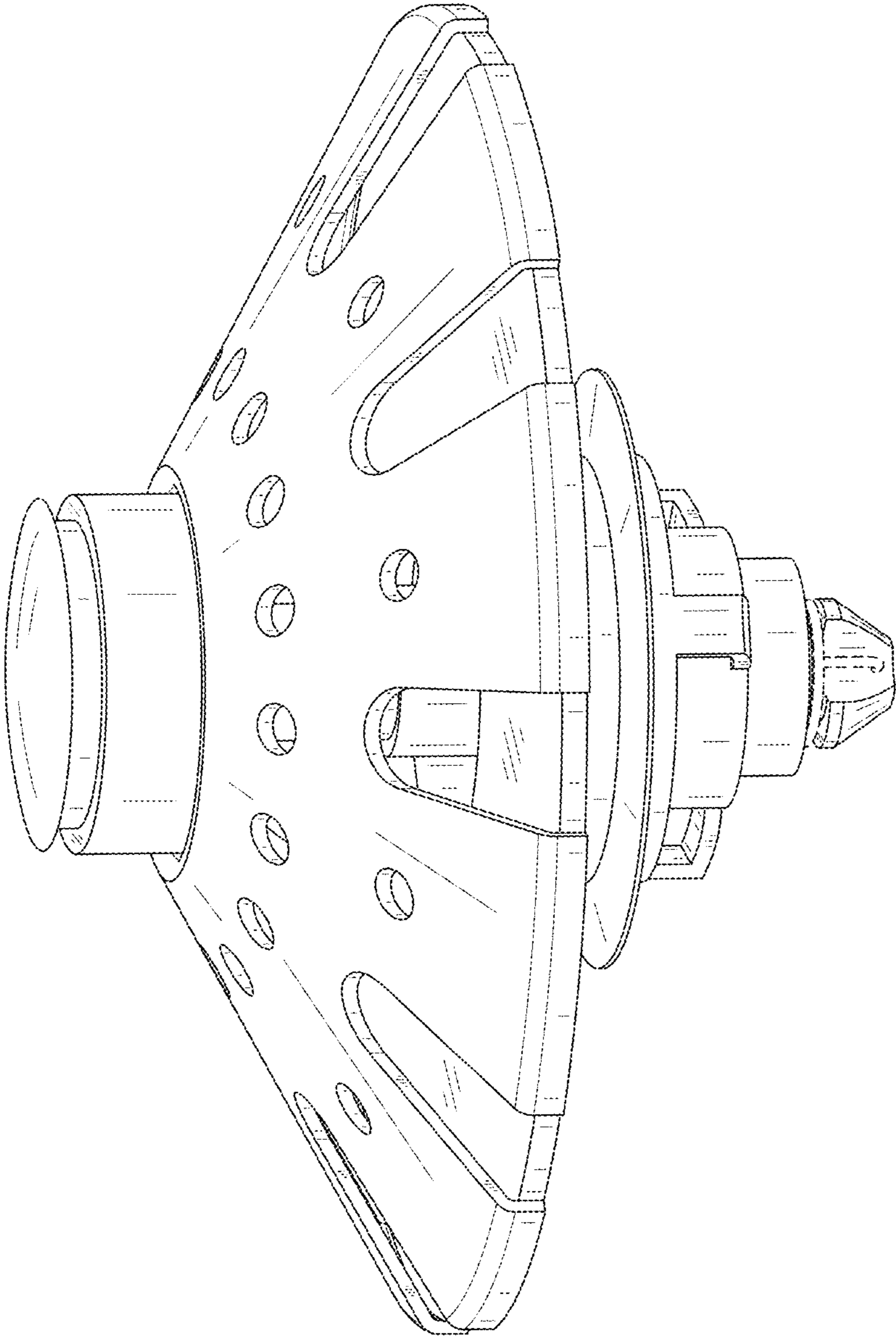


FIG. 8