



US00D983333S

(12) **United States Design Patent** (10) **Patent No.:** **US D983,333 S**
Fritz (45) **Date of Patent:** **** Apr. 11, 2023**

(54) **FAUCET HANDLE**

(71) Applicant: **DELTA FAUCET COMPANY,**
Indianapolis, IN (US)

(72) Inventor: **Seth Fritz,** Carmel, IN (US)

(73) Assignee: **DELTA FAUCET COMPANY,**
Indianapolis, IN (US)

(**) Term: **15 Years**

(21) Appl. No.: **29/804,646**

(22) Filed: **Aug. 22, 2021**

(51) **LOC (14) Cl.** **23-01**

(52) **U.S. Cl.**
USPC **D23/253**

(58) **Field of Classification Search**
USPC D23/238, 241–243, 249, 239–240, 250,
D23/252–254; D8/307–308, 353
See application file for complete search history.

(56) **References Cited**

U.S. PATENT DOCUMENTS

D454,622 S *	3/2002	Isaacs	D23/254
D546,422 S *	7/2007	Mullenmeister	D23/250
D568,968 S *	5/2008	Hoernig	D23/253
D579,306 S *	10/2008	Singtoroj	D8/308

D630,713 S *	1/2011	Romero	D23/253
D859,599 S *	9/2019	Bahler	D23/253
D954,221 S *	6/2022	Fritz	D23/252
D969,975 S *	11/2022	Elser	D23/242
2009/0095361 A1 *	4/2009	Chung	E03C 1/104 137/594

* cited by examiner

Primary Examiner — Robert A Delehanty

(74) *Attorney, Agent, or Firm* — Jeffrey L. Doyle

(57) **CLAIM**

The ornamental design for a faucet handle, as shown and described.

DESCRIPTION

FIG. 1 is a front perspective view of a faucet handle showing my new design;

FIG. 2 is a rear perspective view thereof;

FIG. 3 is a front elevational view thereof;

FIG. 4 is a left side view thereof;

FIG. 5 is a rear view thereof;

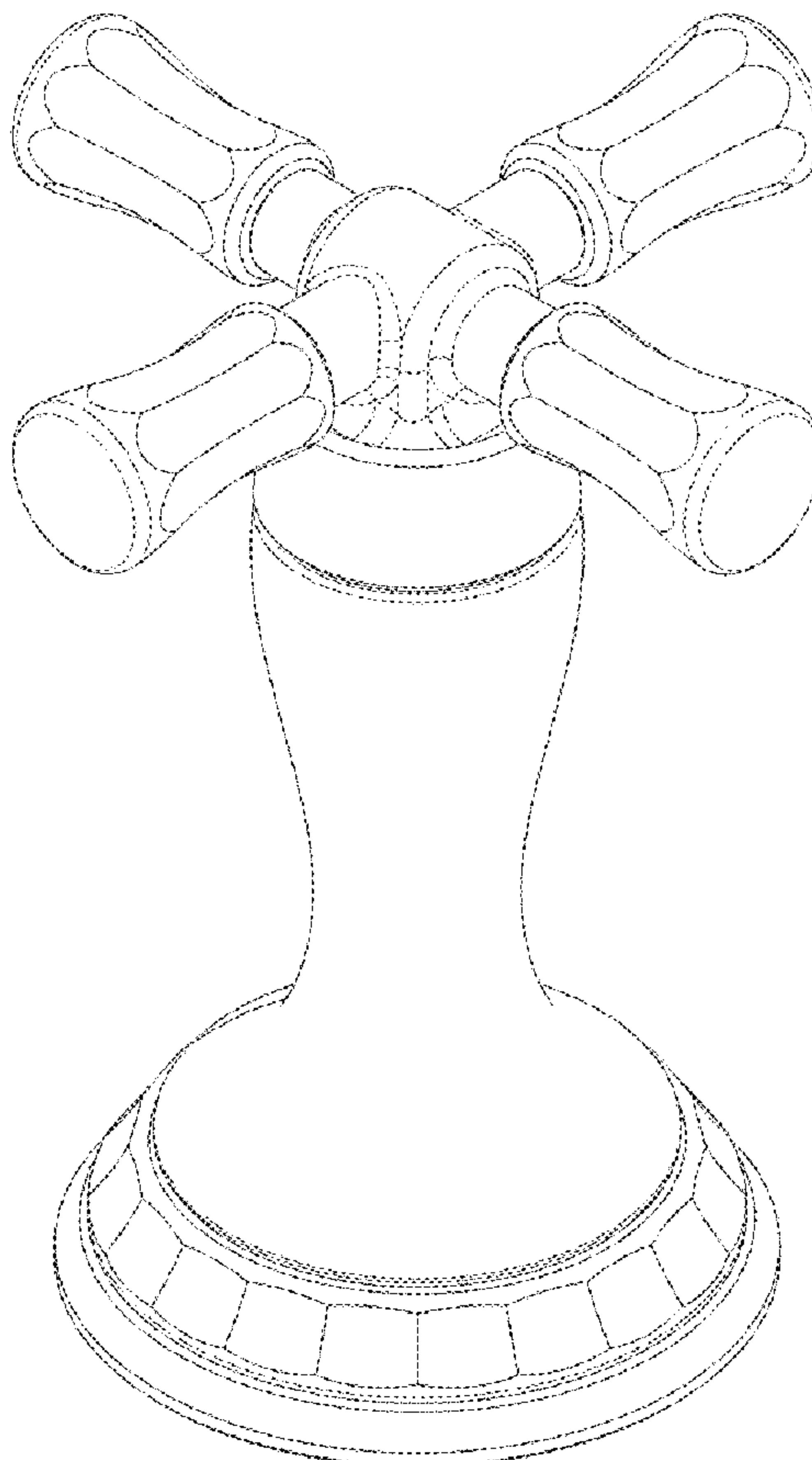
FIG. 6 is a right side view thereof;

FIG. 7 is a top plan view thereof; and,

FIG. 8 is a bottom view thereof.

The broken lines shown in the drawings represent unclaimed portions of the faucet and forms no part of the claimed design.

1 Claim, 4 Drawing Sheets



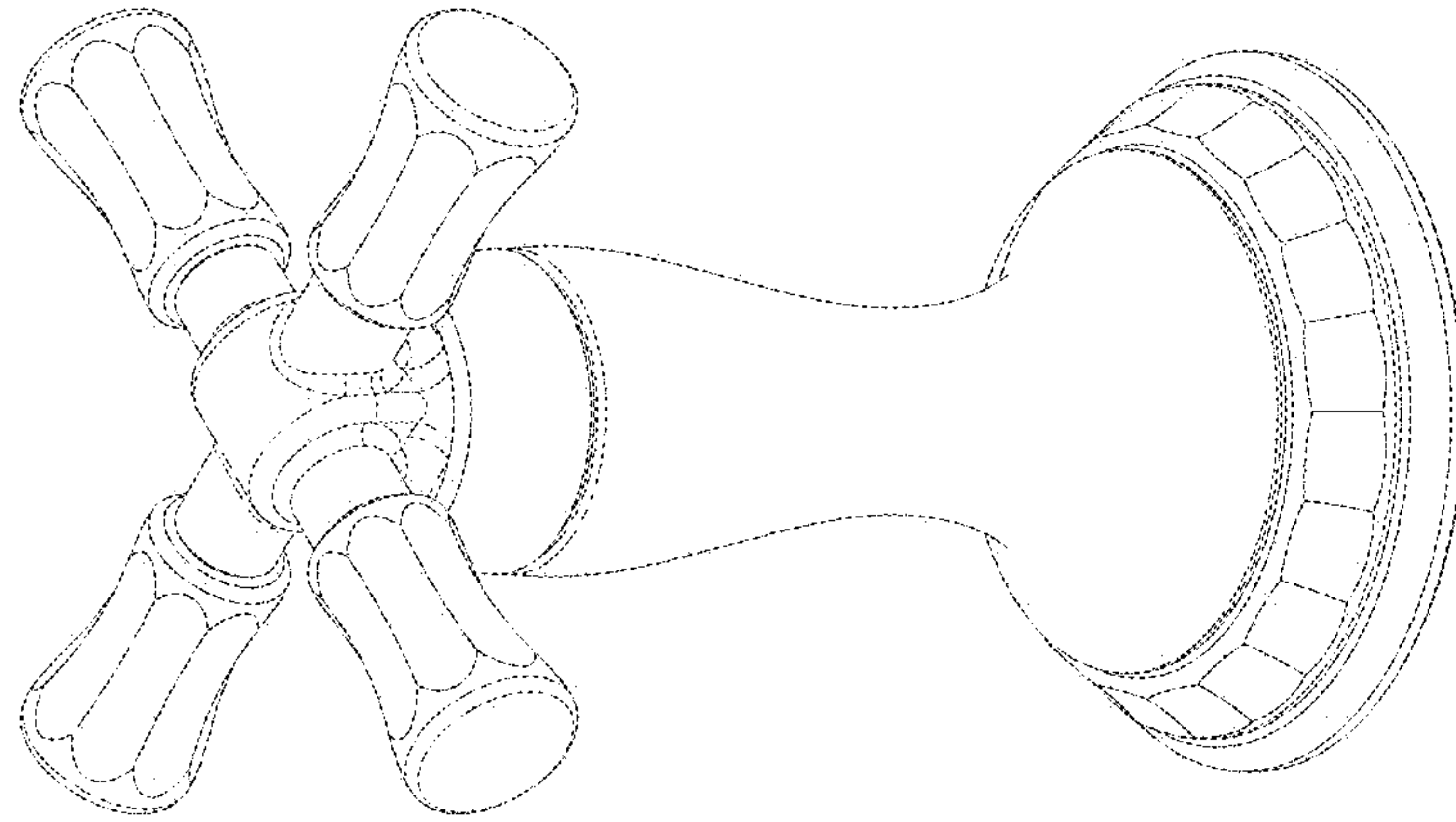


FIG - 2

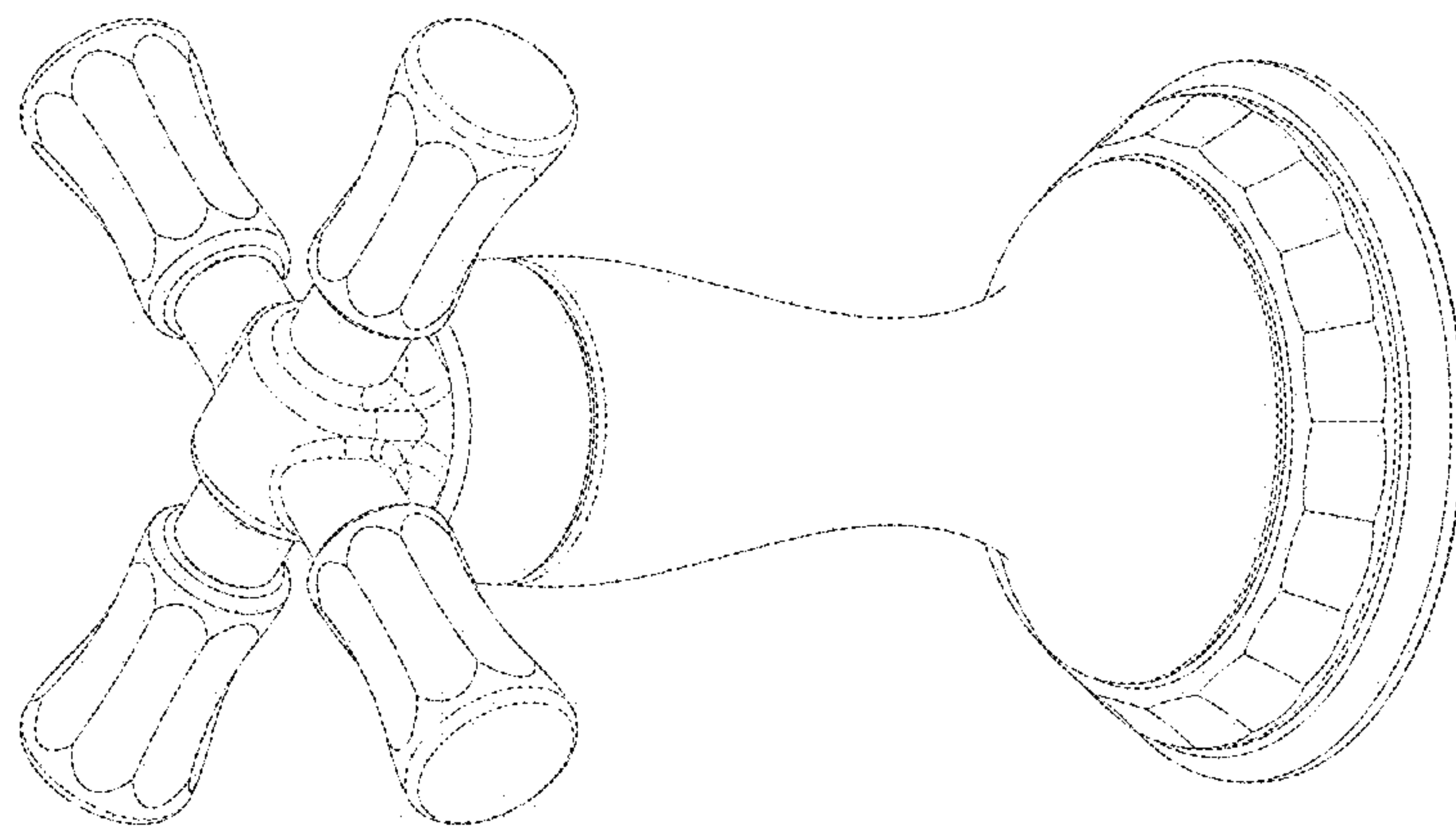


FIG - 1

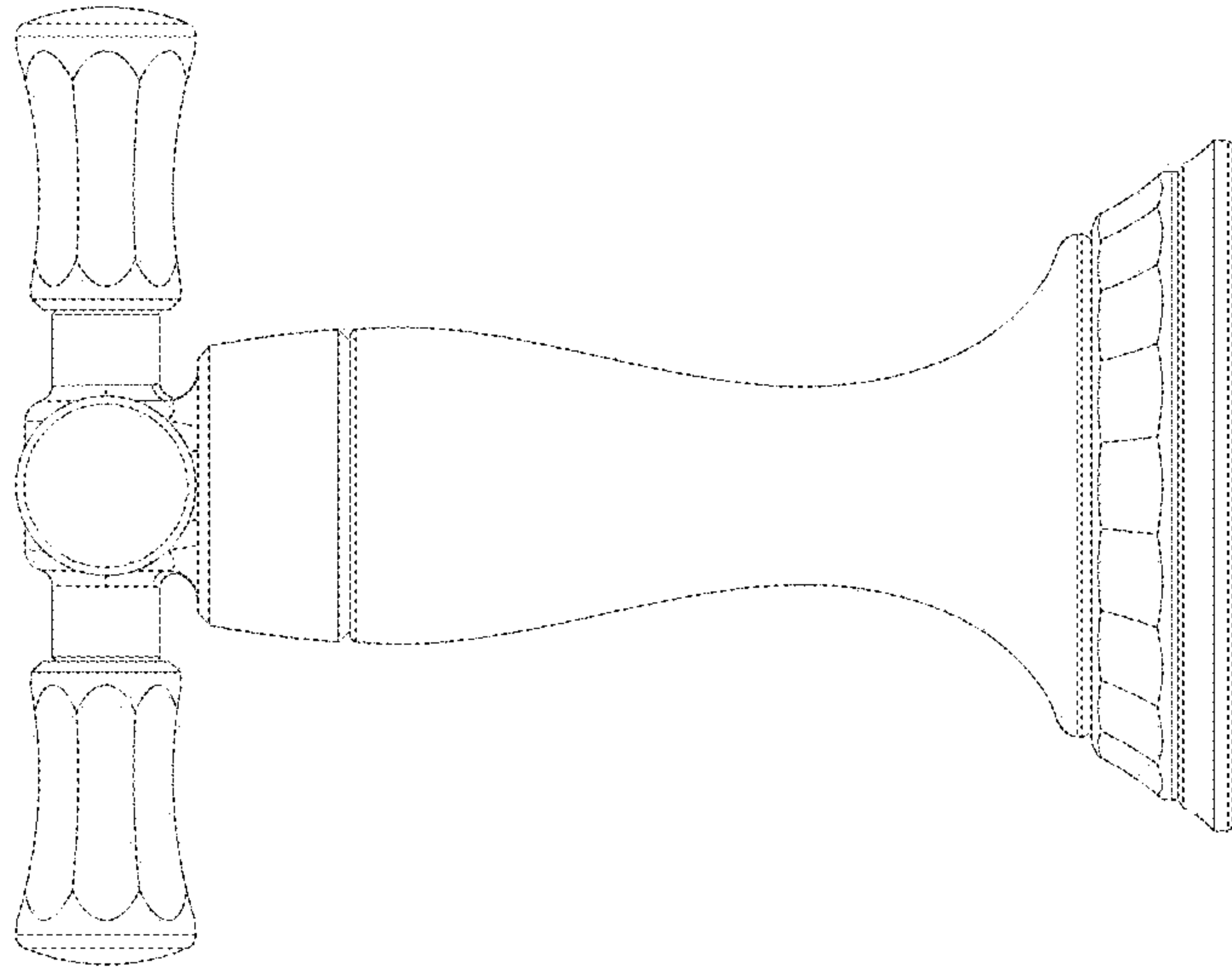


FIG - 4

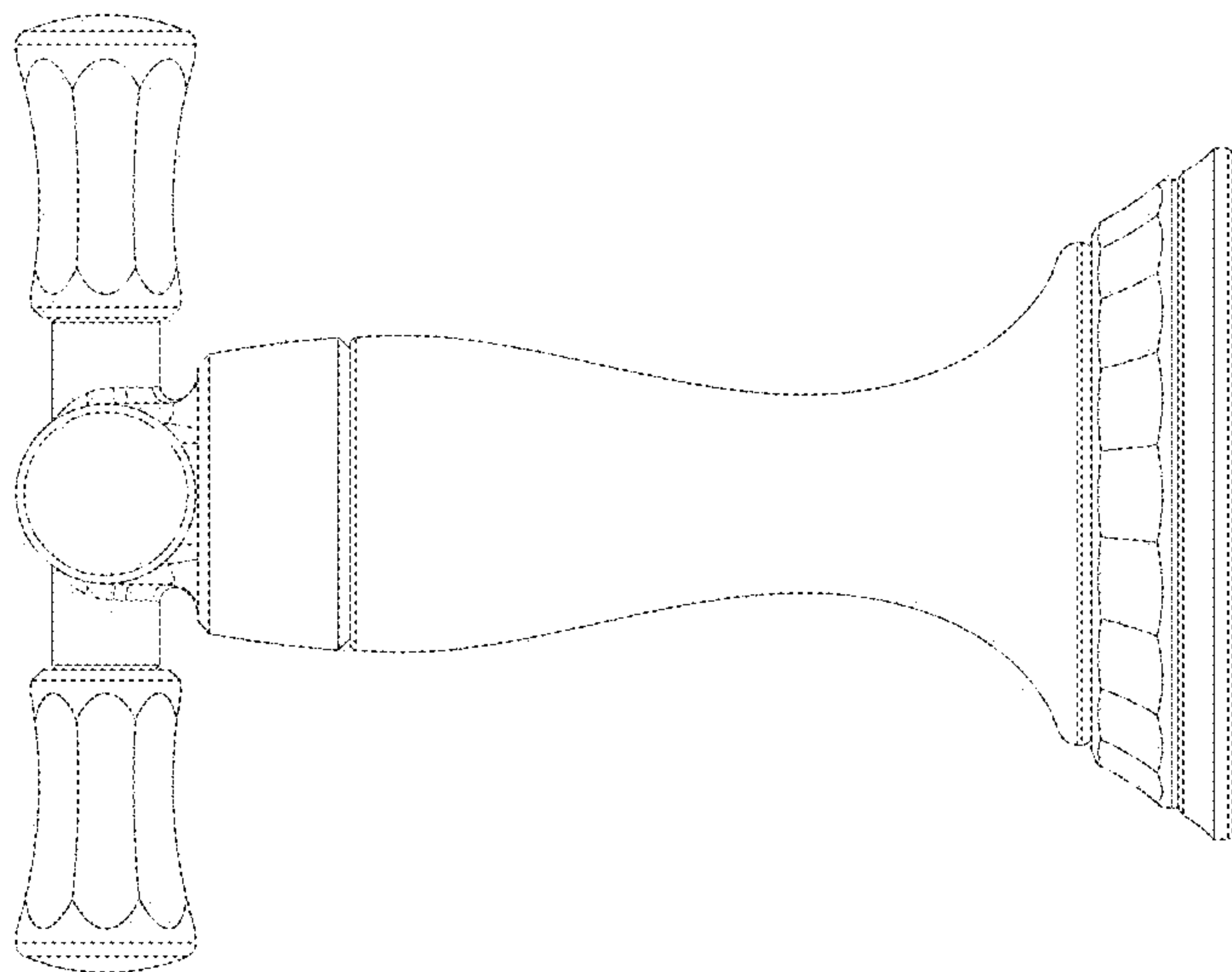


FIG - 3

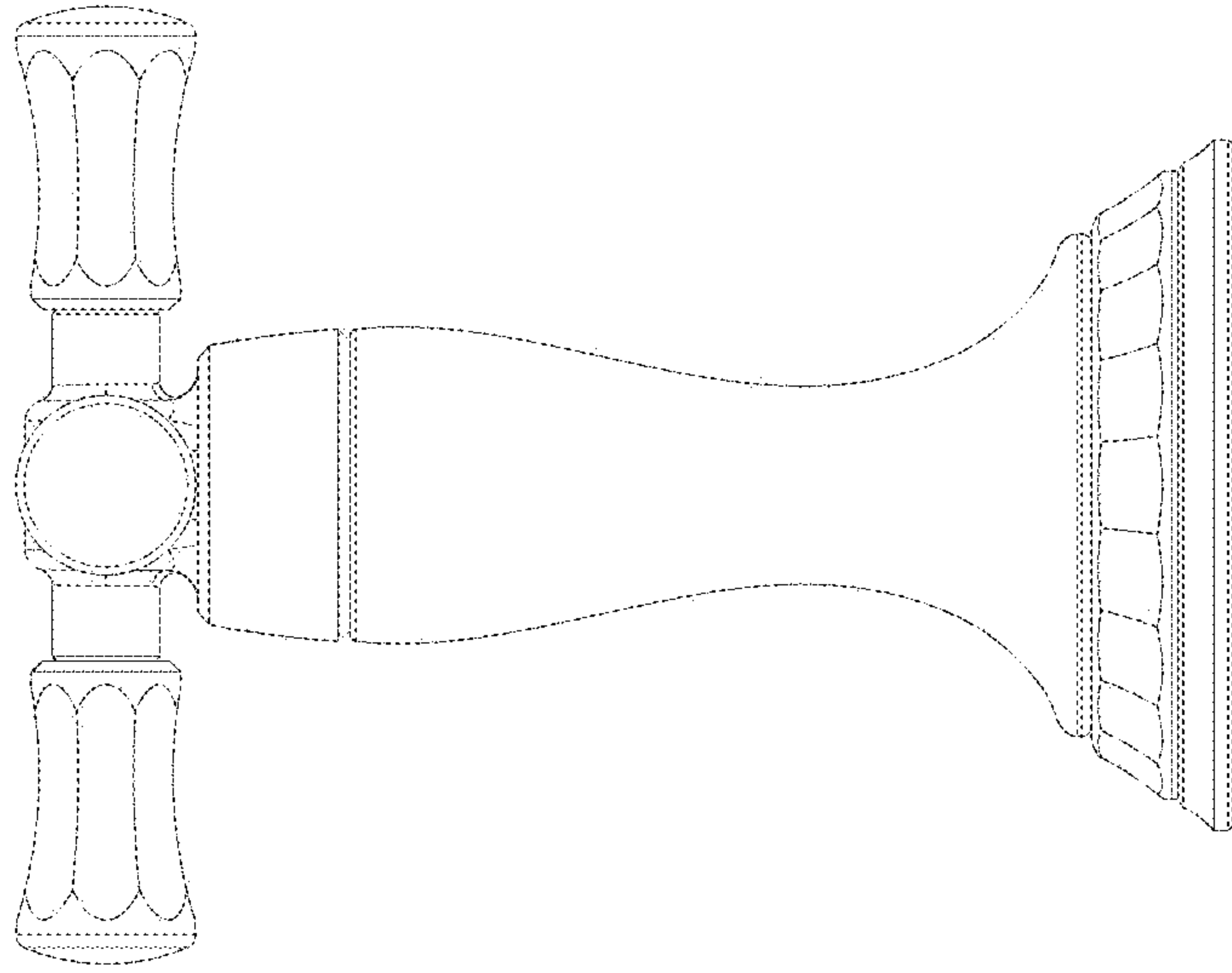


FIG - 6

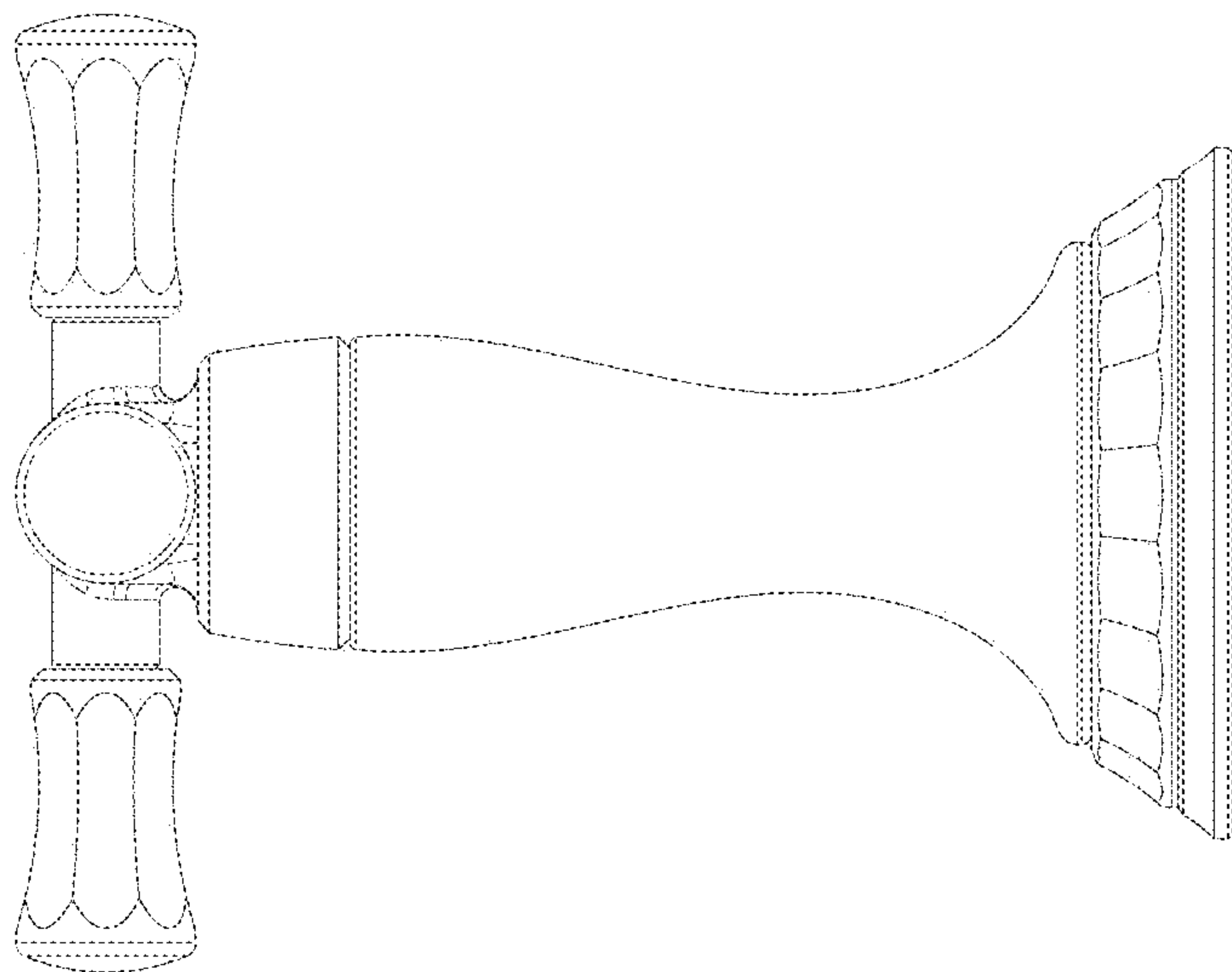


FIG - 5

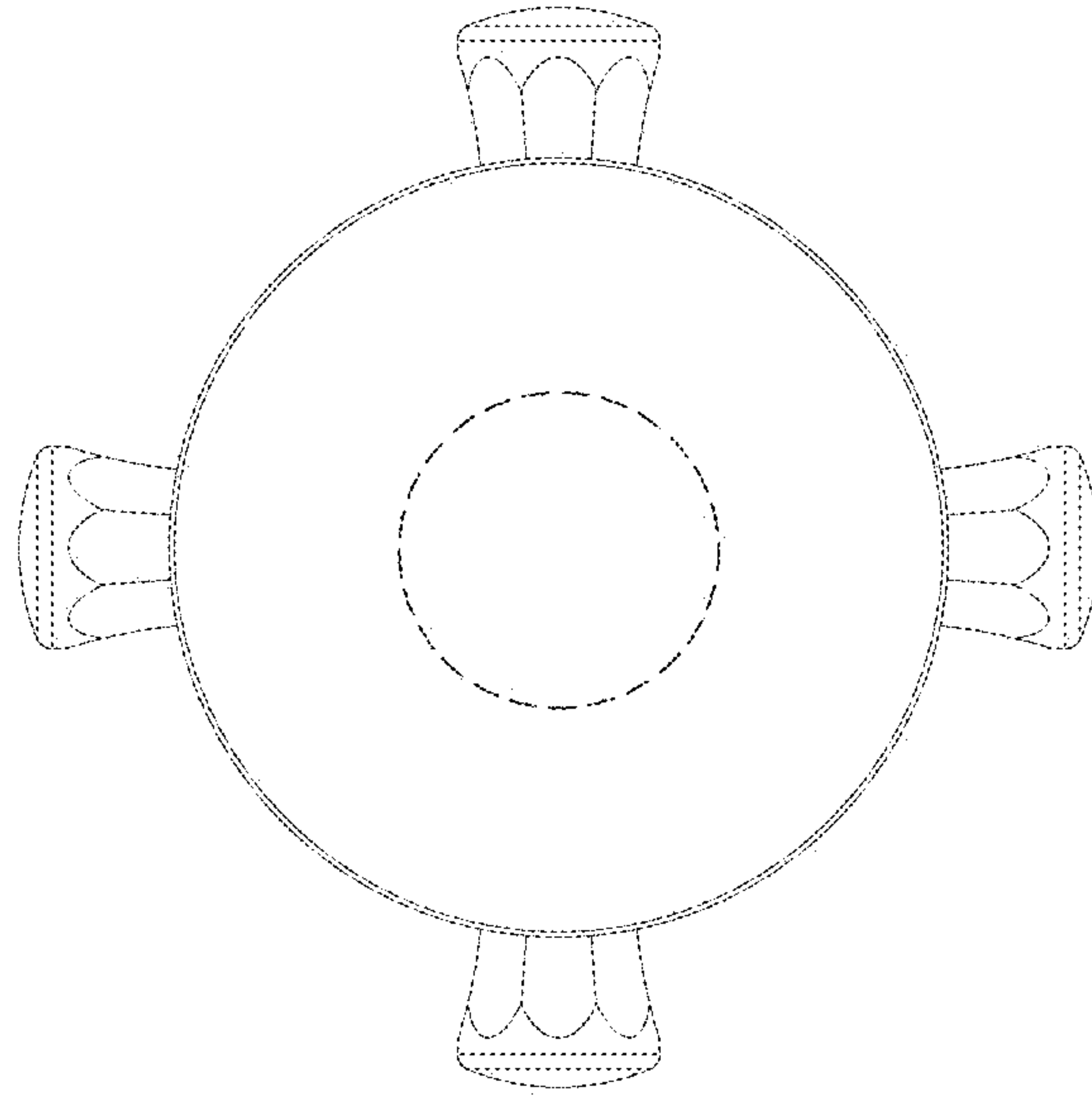


FIG - 8

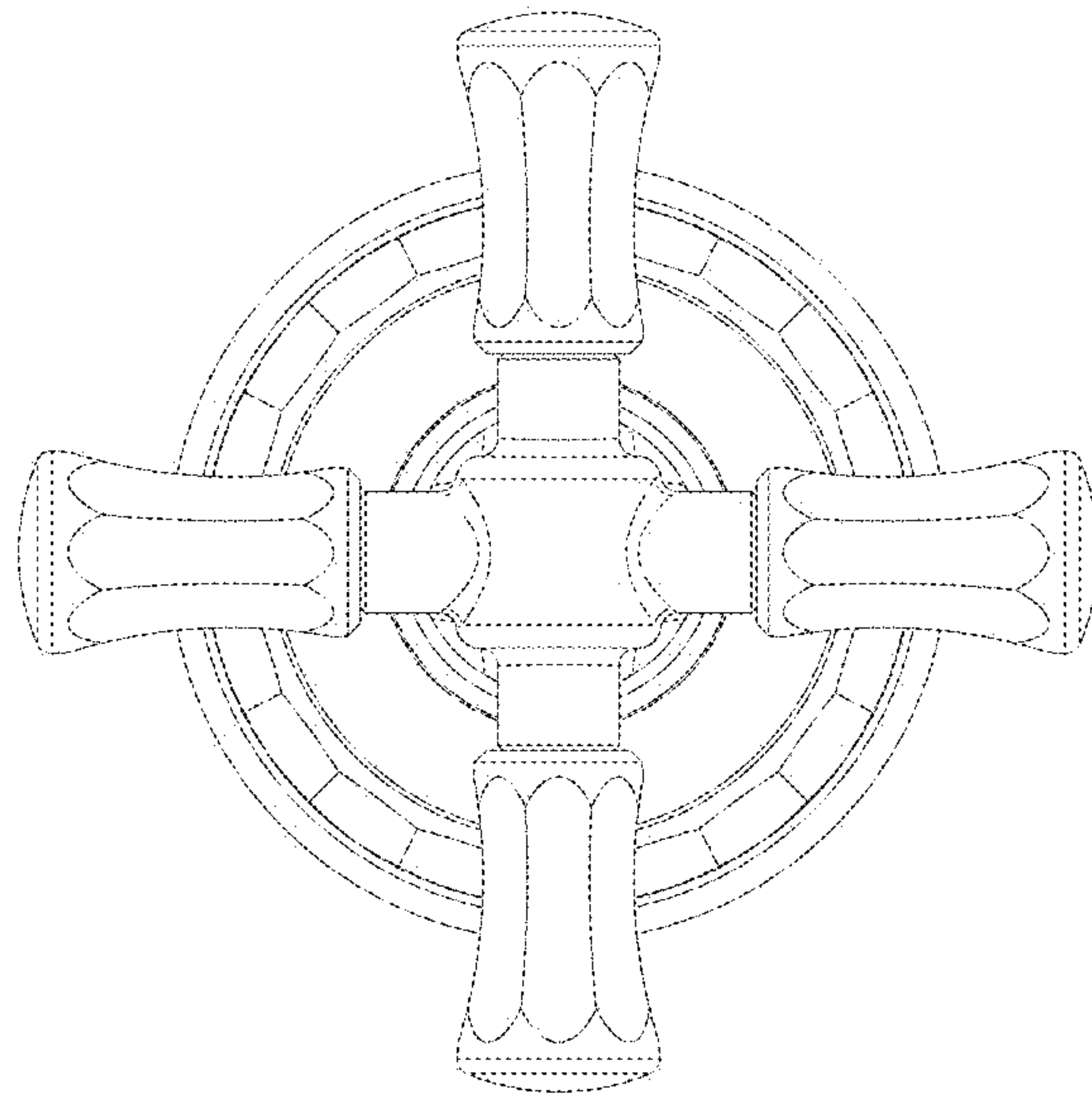


FIG - 7