



US00D983331S

(12) **United States Design Patent** (10) **Patent No.:** **US D983,331 S**
Funato et al. (45) **Date of Patent:** **** Apr. 11, 2023**

(54) **FLUID CONTROL VALVE**

(71) Applicant: **KITZ Corporation**, Chiba (JP)

(72) Inventors: **Masazumi Funato**, Chino (JP);
Tetsuya Watanabe, Chino (JP);
Mitsuru Hosokawa, Chino (JP)

(73) Assignee: **KITZ Corpotion**, Chiba (JP)

(**) Term: **15 Years**

(21) Appl. No.: **35/513,161**

(22) Filed: **Jun. 17, 2021**

(80) **Hague Agreement Data**

Int. Filing Date: **Jun. 17, 2021**

Int. Reg. No.: **DM/215848**

Int. Reg. Date: **Jun. 17, 2021**

Int. Reg. Pub. Date: **Dec. 17, 2021**

(30) **Foreign Application Priority Data**

Dec. 17, 2020 (JP) 2020-027165

(51) **LOC (14) Cl.** **23-01**

(52) **U.S. Cl.**
USPC **D23/248**

(58) **Field of Classification Search**
USPC D23/233, 235, 237, 241, 244, 248

(Continued)

(56) **References Cited**

U.S. PATENT DOCUMENTS

D287,043 S * 12/1986 Hughes D23/248

D352,094 S * 11/1994 Baker D23/244

(Continued)

OTHER PUBLICATIONS

TVE Co., Ltd., title of the article:high-pressure wedge gate valves,
date: at latest Aug. 4, 2020, obtained from the internet: <https://www.toavalve.co.jp/english/service/valve/wedge.html>.

(Continued)

Primary Examiner — Gino Colan

(74) *Attorney, Agent, or Firm* — McCarter & English,
LLP

(57) **CLAIM**

The ornamental design for a fluid control valve, as shown
and described.

DESCRIPTION

1. Fluid control valve

1.1 : Front

1.2 : Back

1.3 : Left

1.4 : Right

1.5 : Top

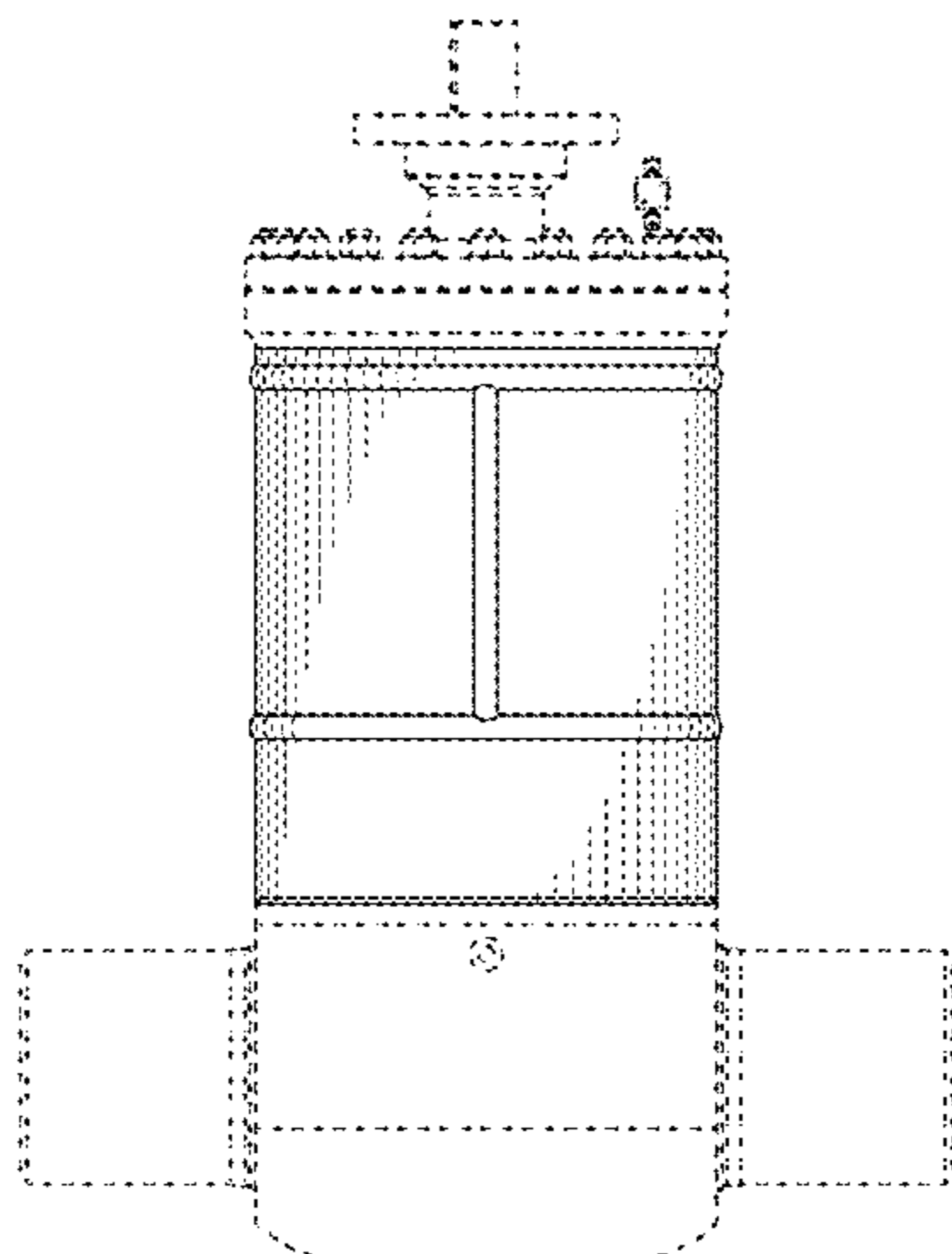
1.6 : Bottom

1.7 : Reference perspective

1.8 : Reference cross-sectional

This article is a fluid control valve; as shown in the reference perspective view, the article includes a hood, a valve main body, and a hollow cylindrical part provided between the hood and the valve main body; as shown in the reference cross-sectional view, the cylindrical part is characterized by having a width greater than that of the stem and sufficient to allow a valve element, such as a ball, to be inserted into the cylindrical part and by having a length sufficient to prevent an operating part from freezing due to refrigeration by the fluid; the cylindrical part, including welding parts, is the portion for which a design registration is sought; the welding parts shown in the reference perspective view are joint structures adaptable to application to liquefied hydrogen, and it is possible to form the cylindrical part without the welding parts; the solid lines indicate the portion for which a design registration is sought; the thin lines drawn on curved surfaces do not indicate any patterns, but indicate the shape of stereoscopic surfaces; in the reference cross-

(Continued)



tional view, the hatched areas represent cross-sections of the subject article; in the reference cross-sectional view, part of the inner structure of the article is omitted.

1 Claim, 8 Drawing Sheets

(58) **Field of Classification Search**

CPC ... F16K 99/0057; F16K 31/385; F16K 31/122

See application file for complete search history.

(56) **References Cited**

U.S. PATENT DOCUMENTS

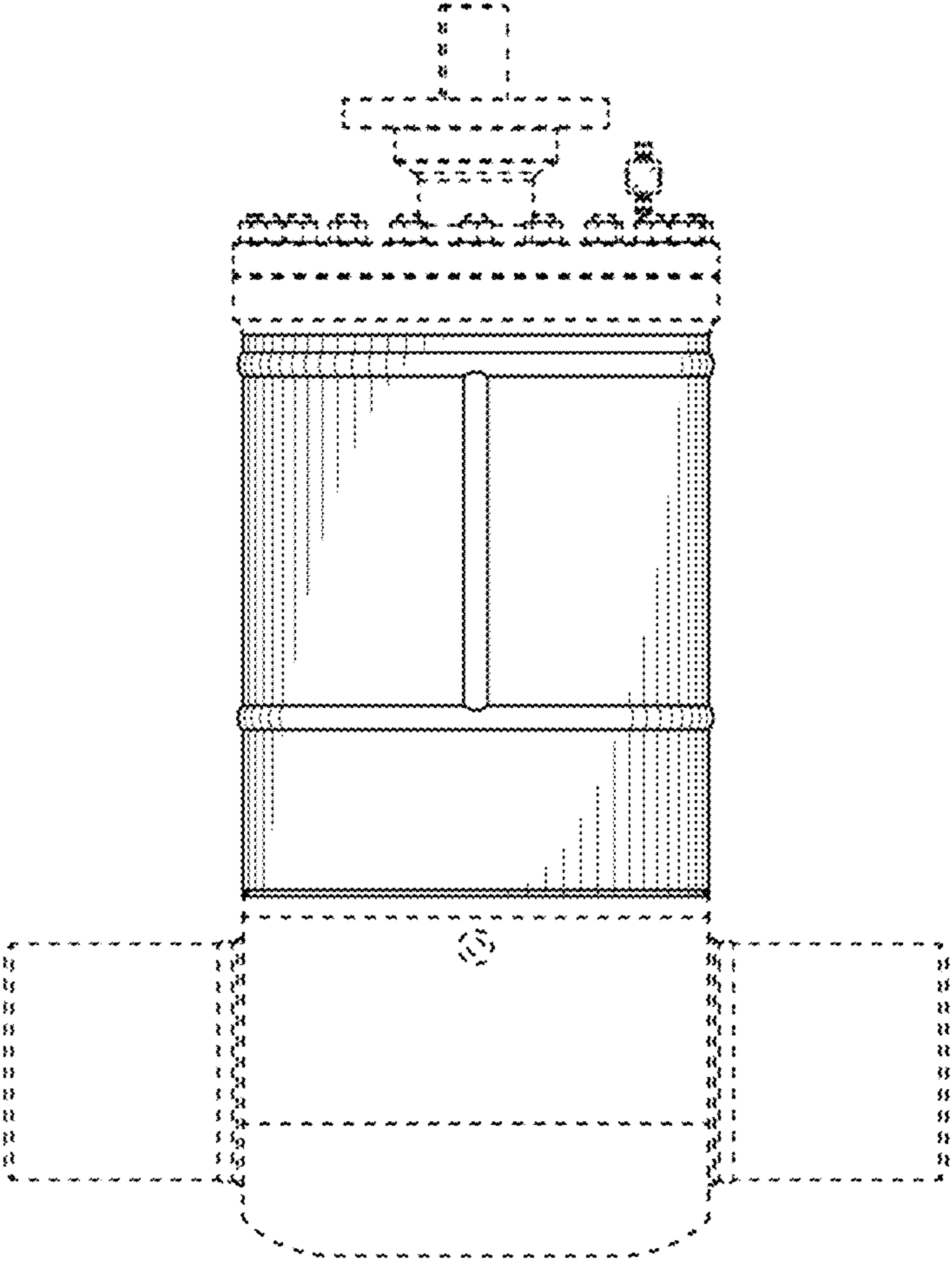
D358,454 S * 5/1995 Kaspers D23/245
D900,972 S * 11/2020 Woodhead D23/245

OTHER PUBLICATIONS

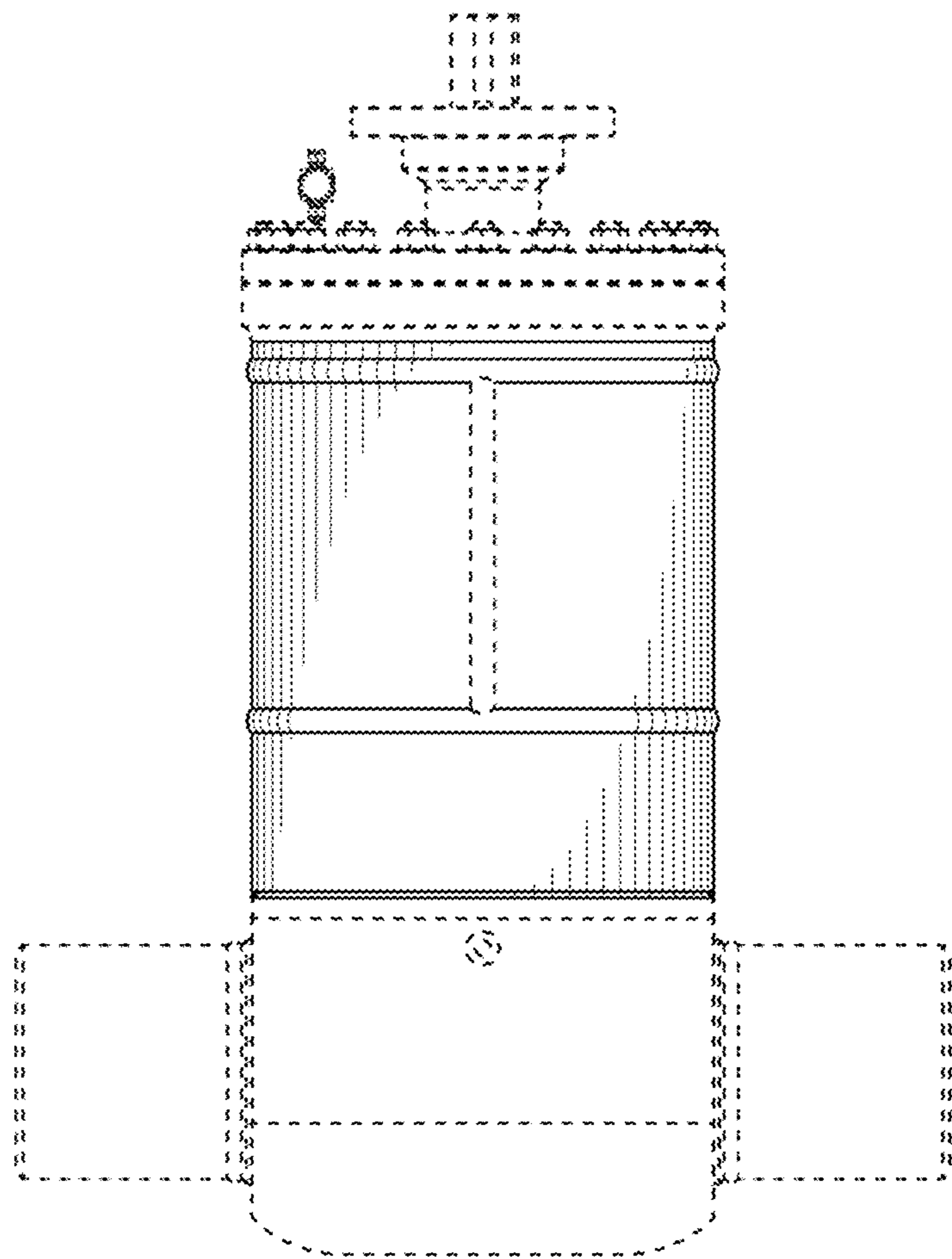
TVE Co., Ltd., title of the article:high-pressure tilting check valves,
date: at latest Aug. 4, 2020, obtained from the internet: <https://www.toavalve.co.jp/english/service/valve/reverse.html>.

* cited by examiner

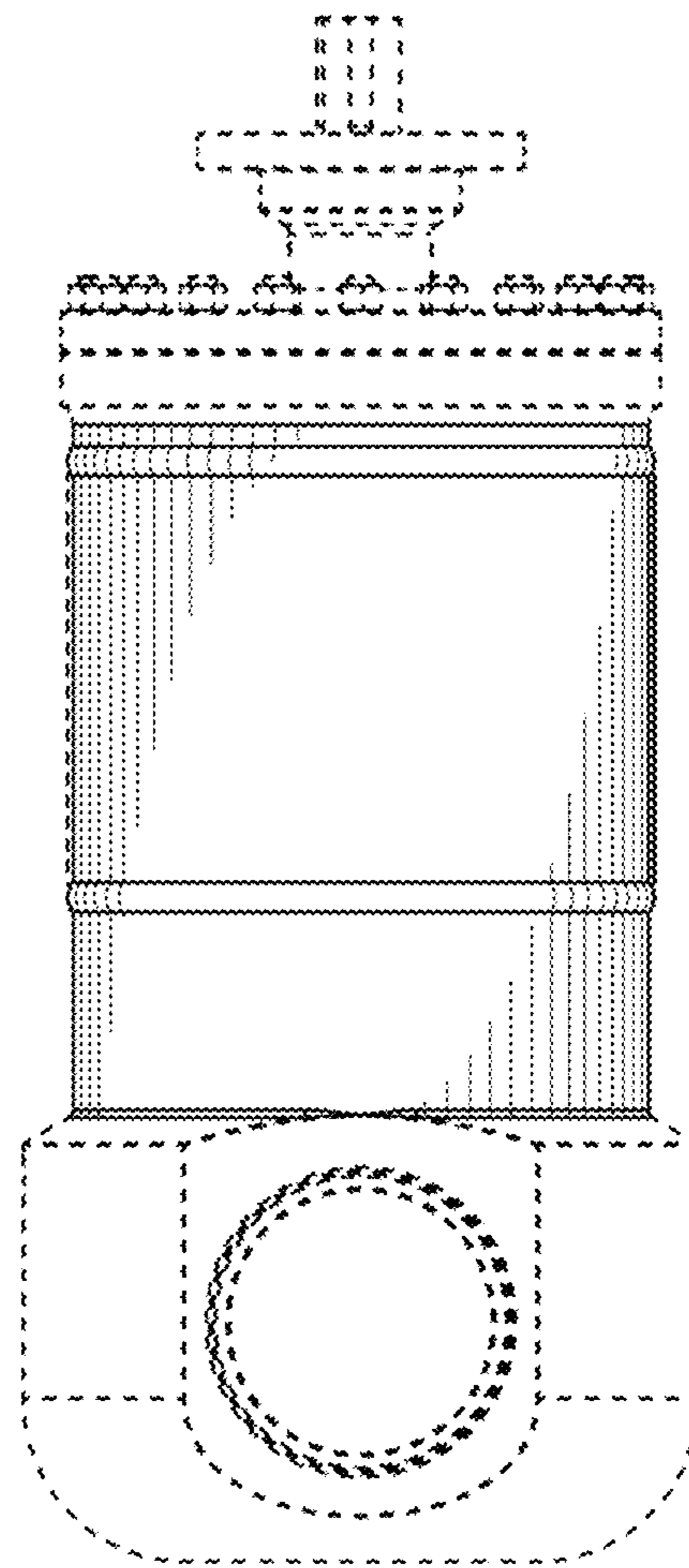
1.1



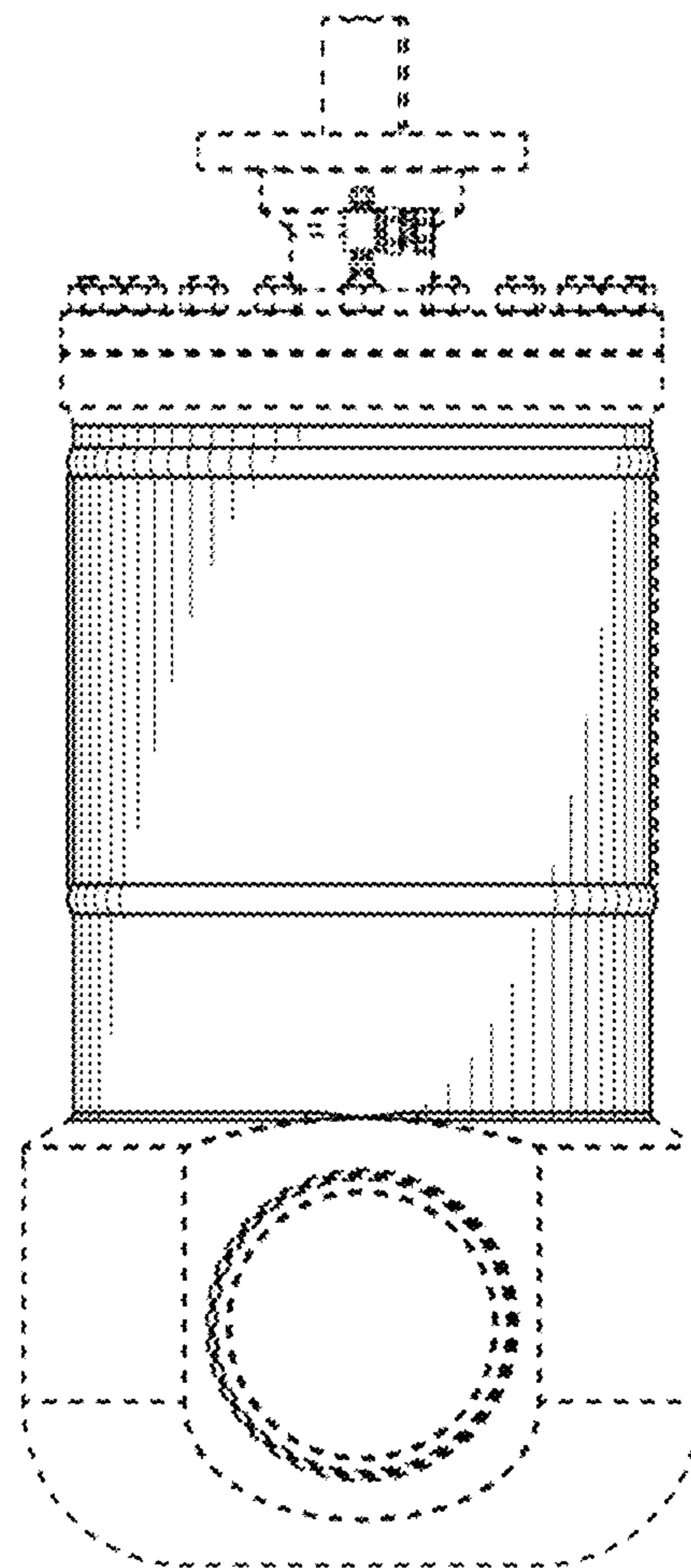
1.2



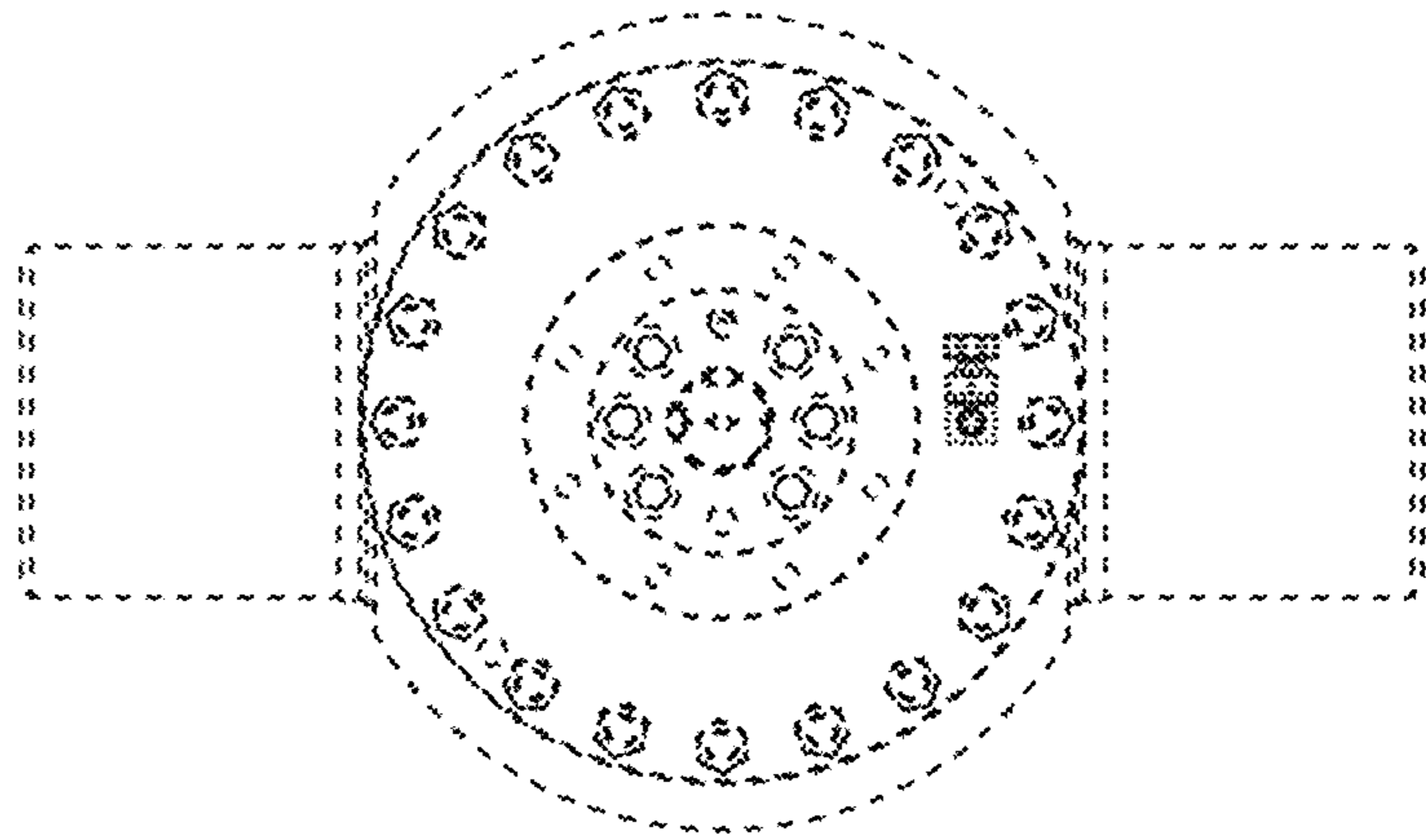
1.3



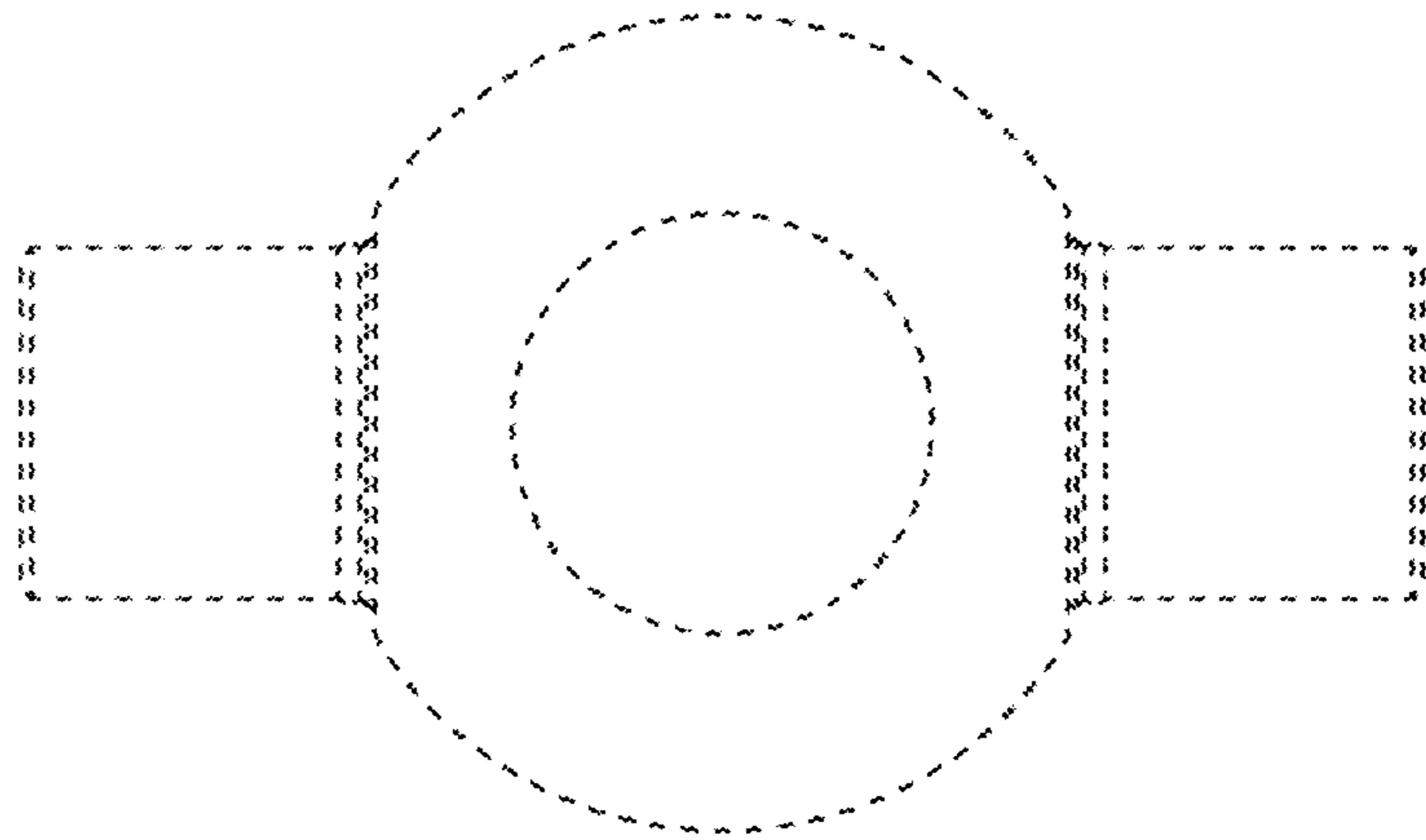
1.4



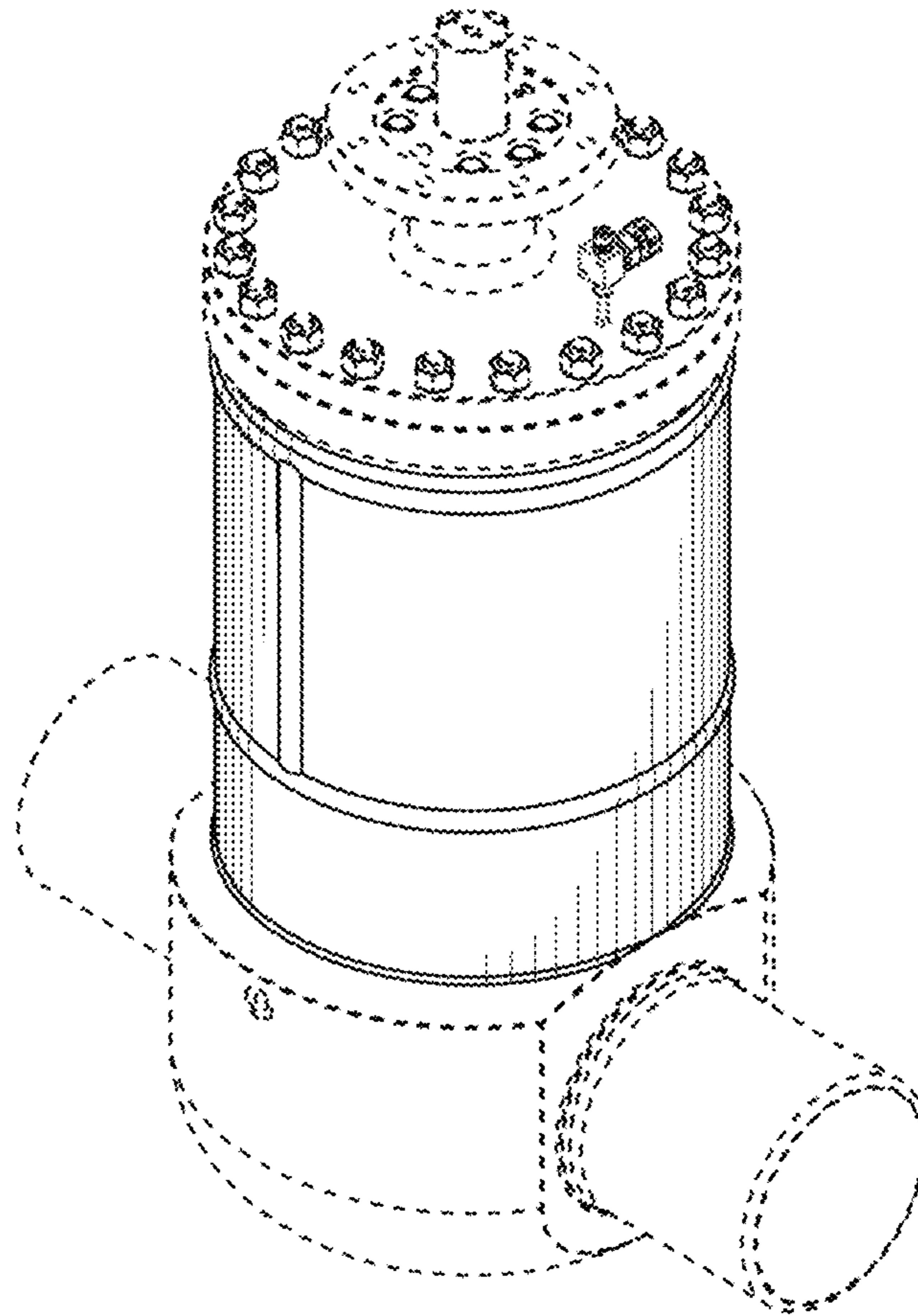
1.5



1.6



1.7



1.8

