



US00D983330S

(12) **United States Design Patent** (10) **Patent No.:** **US D983,330 S**  
**Wu** (45) **Date of Patent:** **\*\* Apr. 11, 2023**

(54) **FAUCET**  
(71) Applicant: **Danchun Wu**, Chaozhou (CN)  
(72) Inventor: **Danchun Wu**, Chaozhou (CN)

D940,826 S \* 1/2022 Lazarini ..... D23/238  
2009/0139025 A1 \* 6/2009 Vogel ..... A47K 1/14  
4/293  
2010/0212086 A1 \* 8/2010 Chang ..... F16K 11/20  
137/801

(\*\*) Term: **15 Years**

FOREIGN PATENT DOCUMENTS

(21) Appl. No.: **29/787,654**

CA 162434 \* 2/2016  
CA 169191 \* 7/2017  
CA 173713 \* 2/2018

(22) Filed: **Jun. 8, 2021**

(Continued)

(51) **LOC (14) Cl.** ..... **23-01**

OTHER PUBLICATIONS

(52) **U.S. Cl.**  
USPC ..... **D23/242**

(58) **Field of Classification Search**  
USPC ..... D23/238-244, 252, 254-255, 257, 499;  
D7/398  
CPC .... F16K 31/602; F16K 31/605; F16K 31/607;  
E03C 1/0412

Kohler R99910-4D-BN Georgeson Centerset Bathroom Sink Faucet, first available Nov. 2, 2014[online], [site visited Nov. 16, 2022]. Available from internet, URL:<<https://www.amazon.com/Kohler-R99910-4D-BN-Georgeson-Centerset-Bathroom/dp/B00P4QFX34>> (Year: 2014).\*

(Continued)

See application file for complete search history.

*Primary Examiner* — David G Muller  
*Assistant Examiner* — Jamaal Rasheed

(56) **References Cited**

(57) **CLAIM**

U.S. PATENT DOCUMENTS

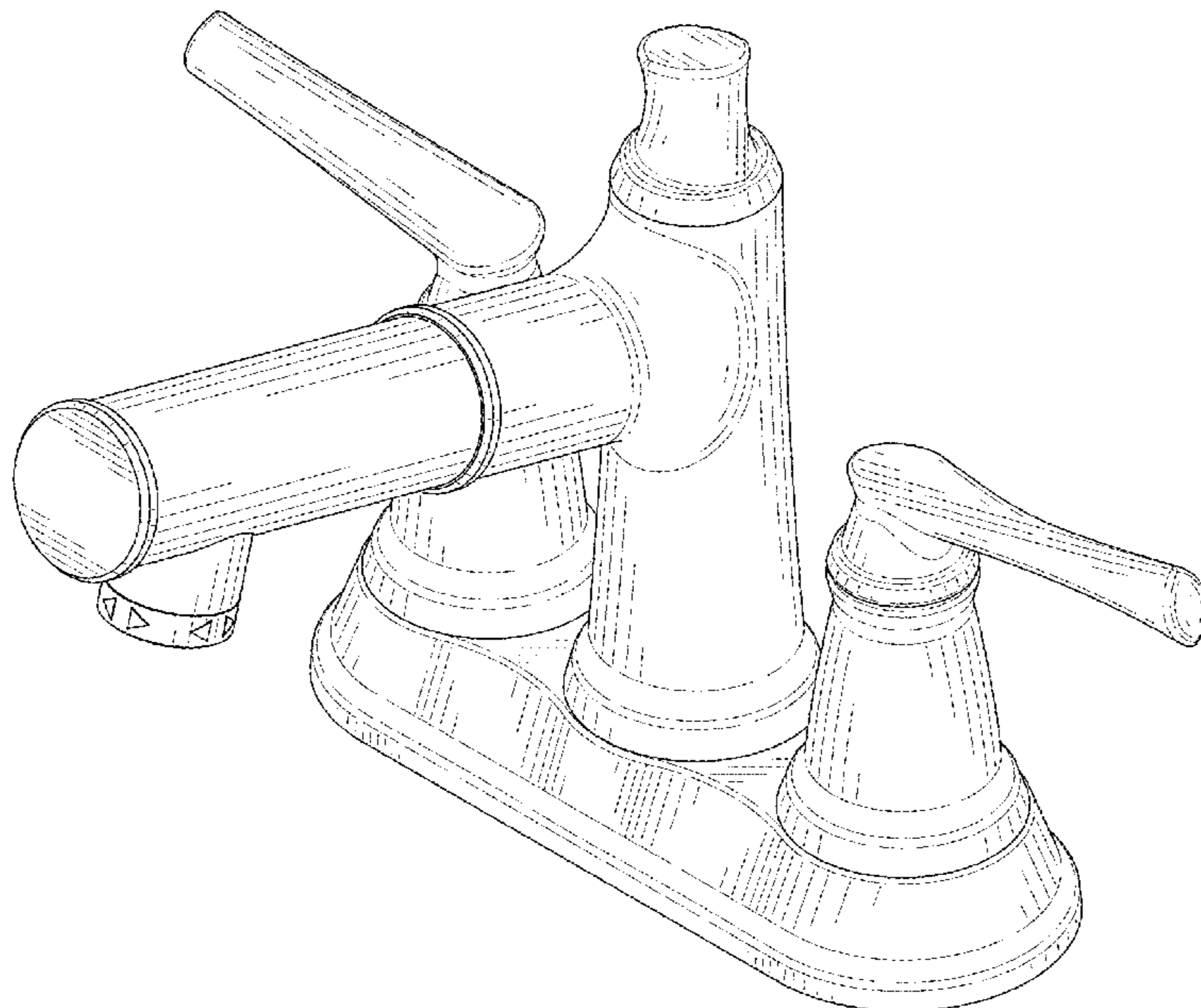
The ornamental design for a faucet, as shown and described.

D293,362 S *	12/1987	Hill	.....	D23/241
D502,534 S *	3/2005	Panis	.....	D23/242
D510,760 S *	10/2005	Blomstrom	.....	D23/255
D528,191 S *	9/2006	Chen	.....	D23/242
D535,725 S *	1/2007	Chu	.....	D23/242
D535,726 S *	1/2007	Koury	.....	D23/242
D622,817 S *	8/2010	Painter	.....	D23/242
D655,789 S *	3/2012	Kwok	.....	D23/242
D667,088 S *	9/2012	Kwok	.....	D23/242
D679,365 S *	4/2013	Liao	.....	D23/242
D791,920 S *	7/2017	Fritz	.....	D23/242
D797,247 S *	9/2017	Zhang	.....	D23/242
D810,878 S *	2/2018	Garland	.....	D23/242
D867,539 S *	11/2019	Garland	.....	D23/242
D869,614 S *	12/2019	Garland	.....	D23/242
D927,650 S *	8/2021	Hui	.....	D23/255

**DESCRIPTION**

FIG. 1 is a perspective view of a faucet showing my new design;  
FIG. 2 is another perspective view thereof;  
FIG. 3 is a front elevational view thereof;  
FIG. 4 is a rear elevational view thereof;  
FIG. 5 is a left side elevational view thereof;  
FIG. 6 is a right side elevational view thereof;  
FIG. 7 is a top plan view thereof; and,  
FIG. 8 is a bottom plan view thereof.  
The broken lines in the drawings depict portions of the faucet that form no part of the claimed design.

**1 Claim, 8 Drawing Sheets**



(56)

**References Cited**

FOREIGN PATENT DOCUMENTS

CN	301679588	*	9/2011
CN	303817629	*	8/2016

OTHER PUBLICATIONS

Moen 6802BL Dartmoor Two-Handle Low Arc Bathroom Faucet, first available Nov. 16, 2020[online], [site visited Nov. 16, 2022]. Available from internet, URL:<<https://www.amazon.com/Moen-6802BL-Dartmoor-Two-Handle-Bathroom/dp/B08W8TY7TT?th=1>> (Year: 2020).\*

\* cited by examiner

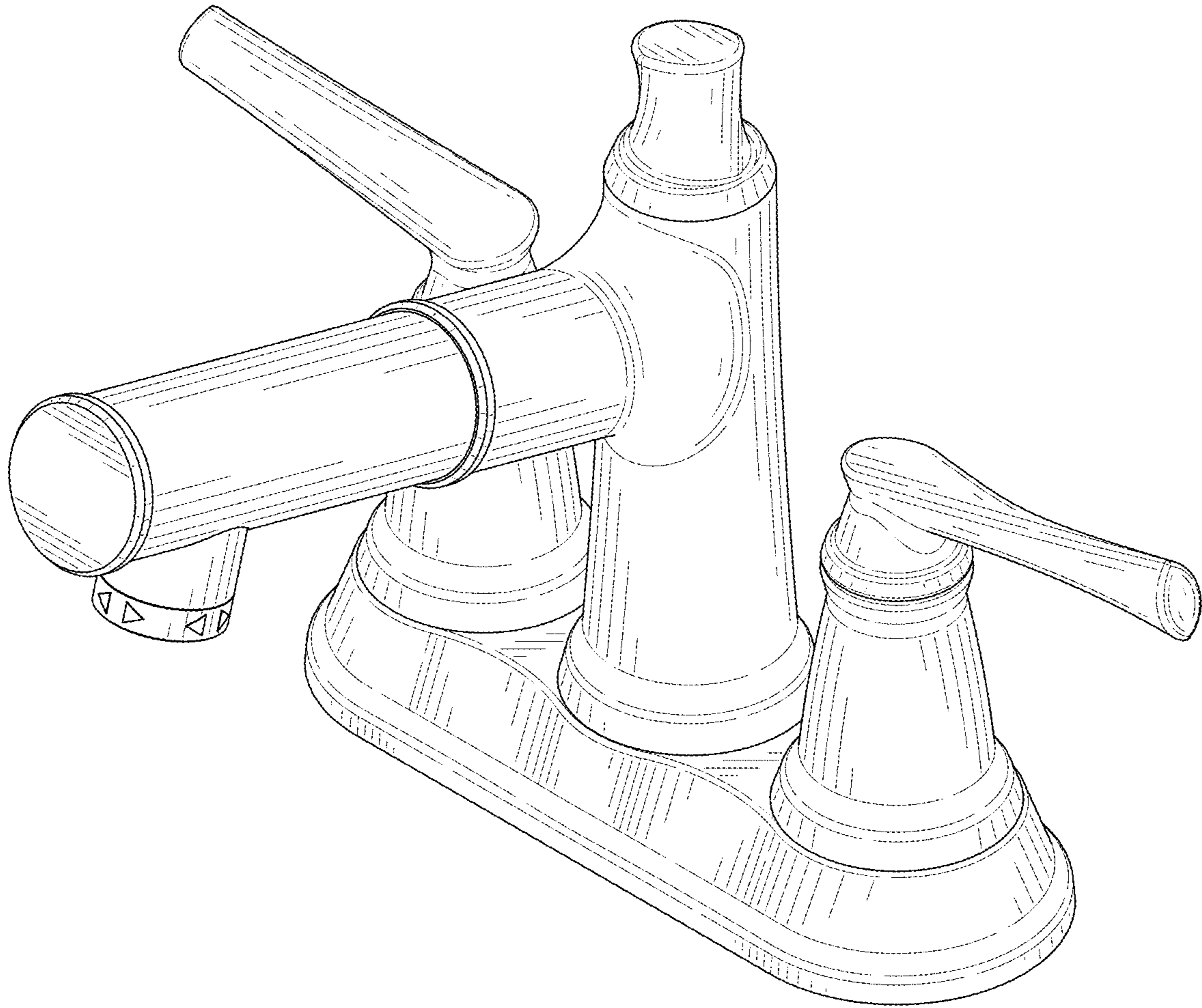


FIG. 1

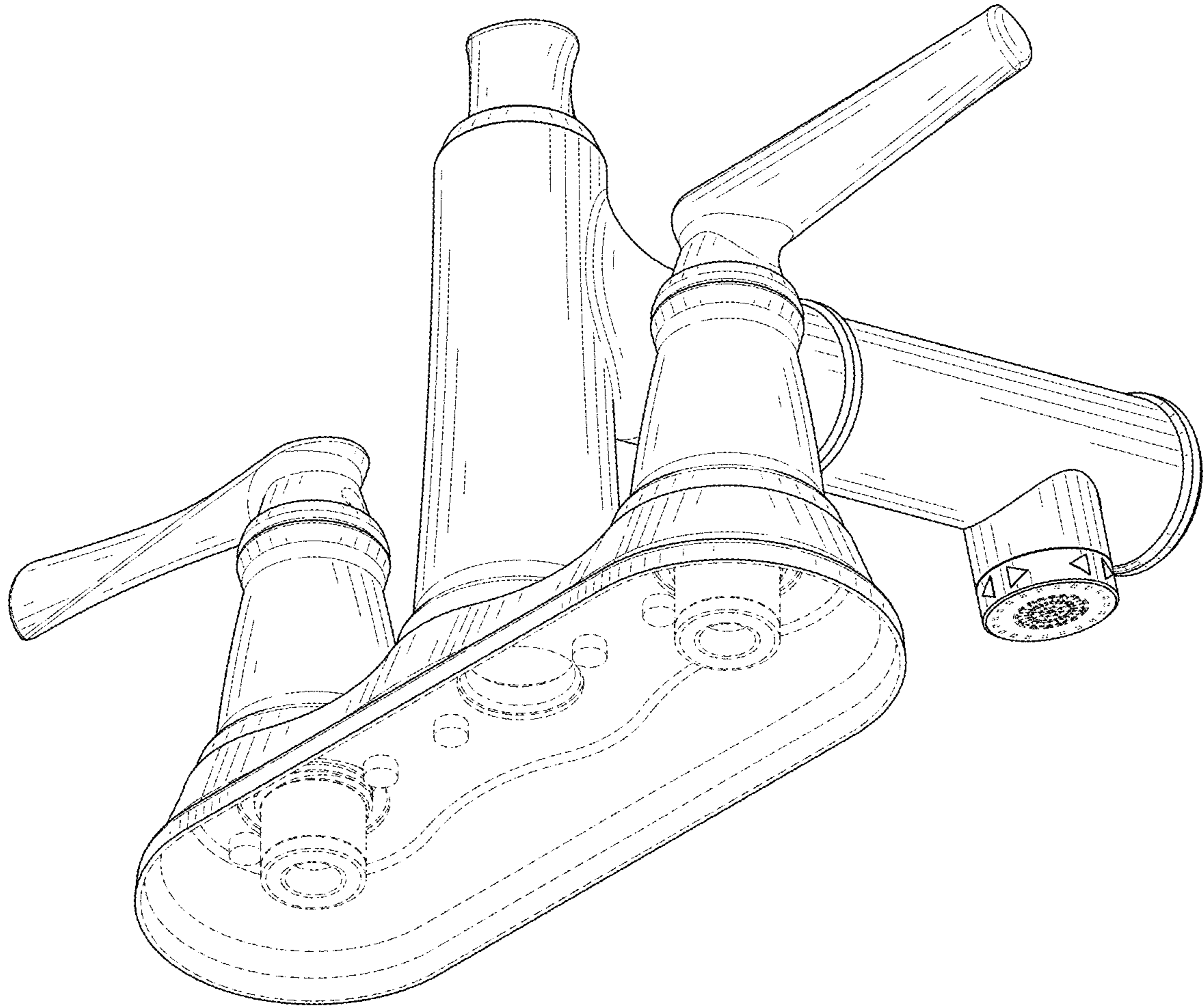


FIG. 2

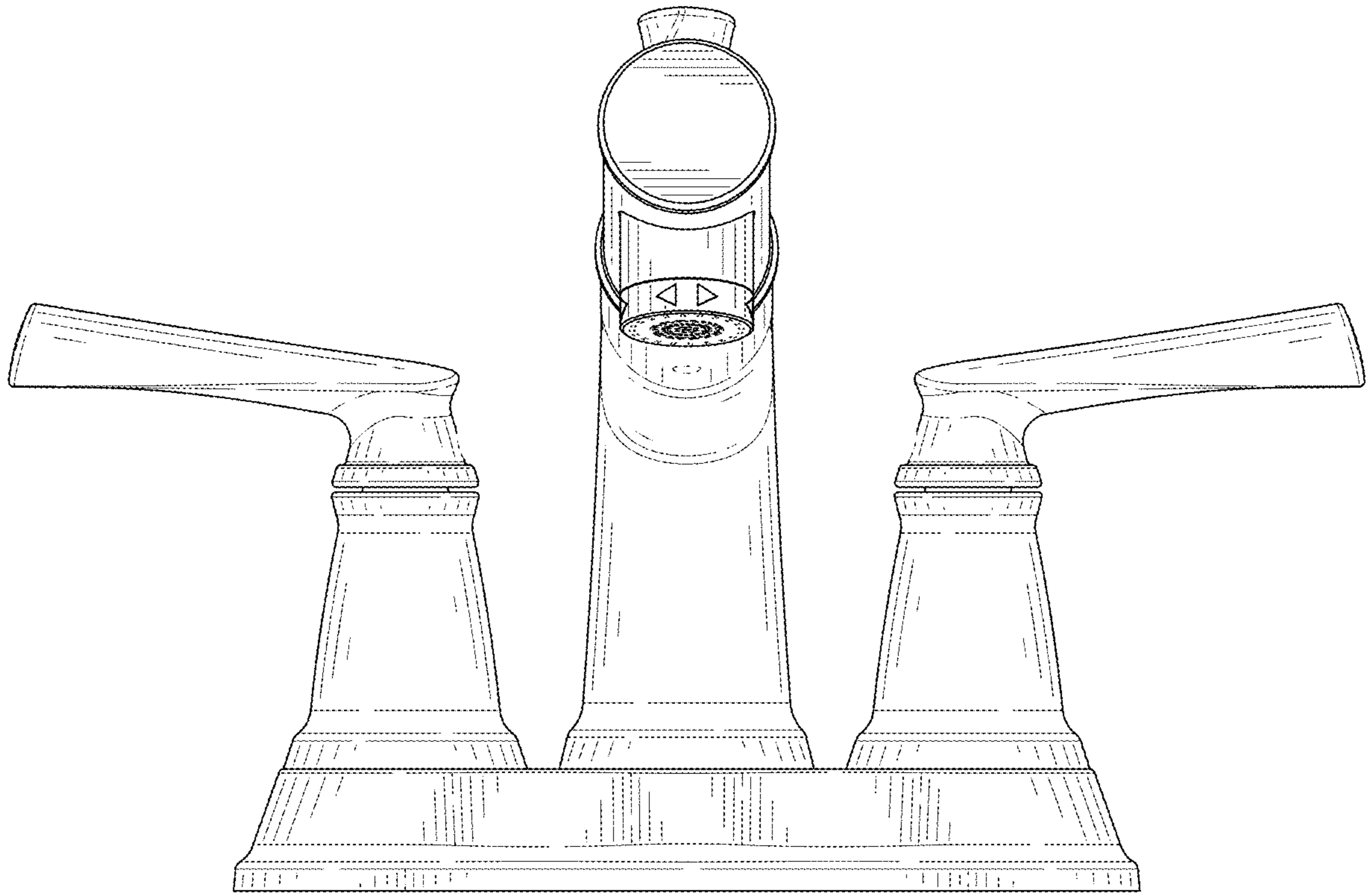


FIG. 3

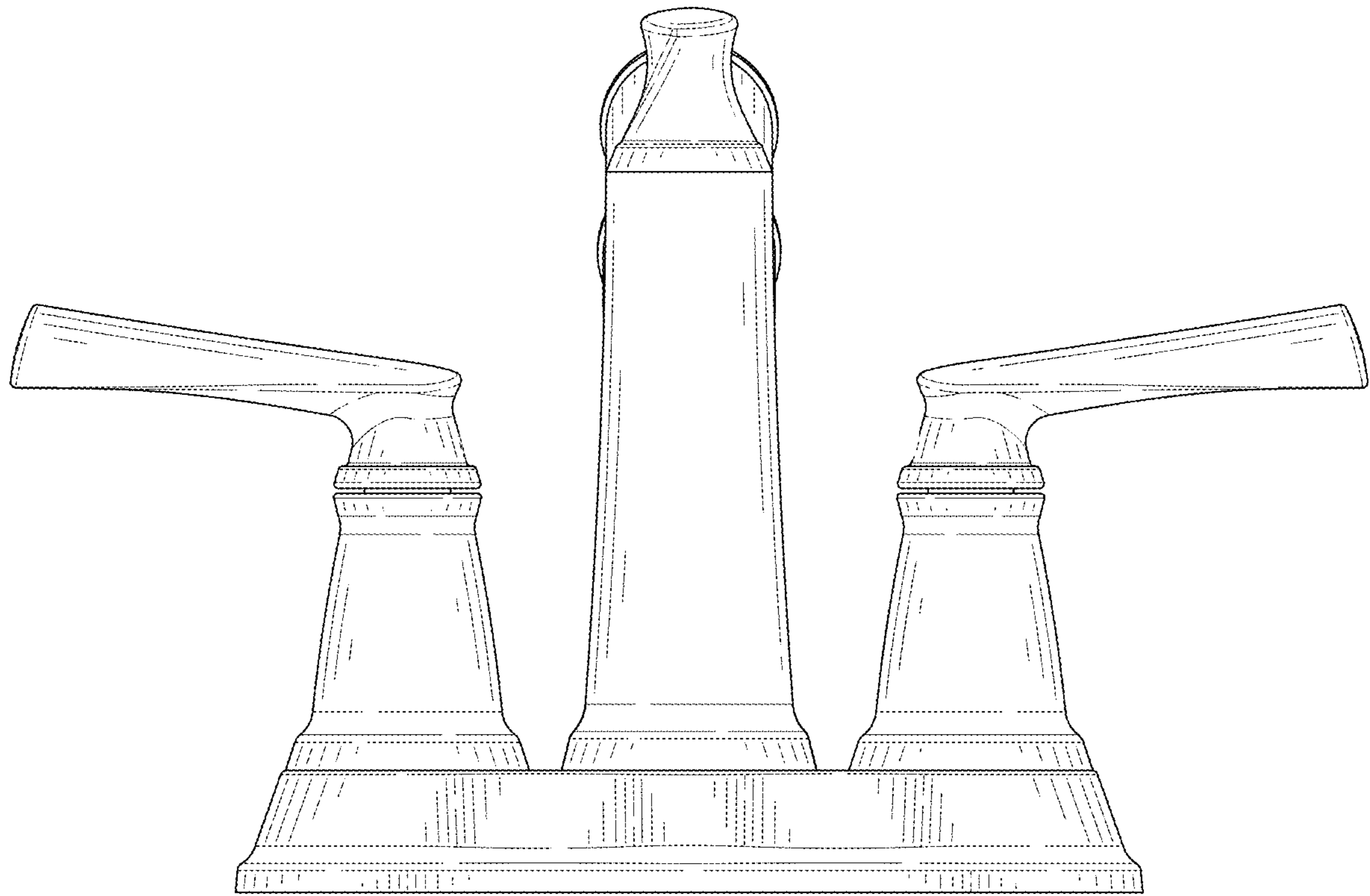


FIG. 4

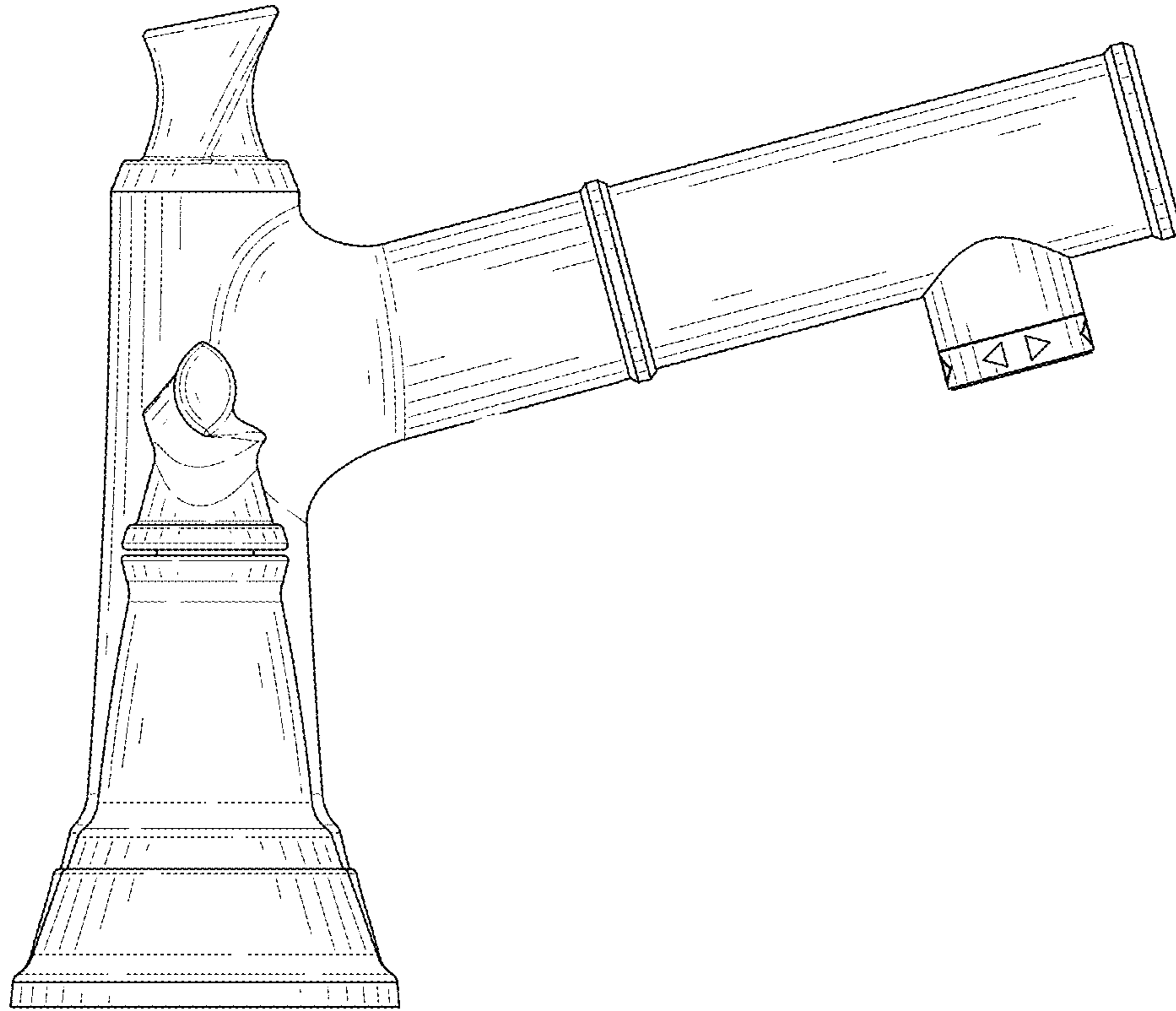


FIG. 5

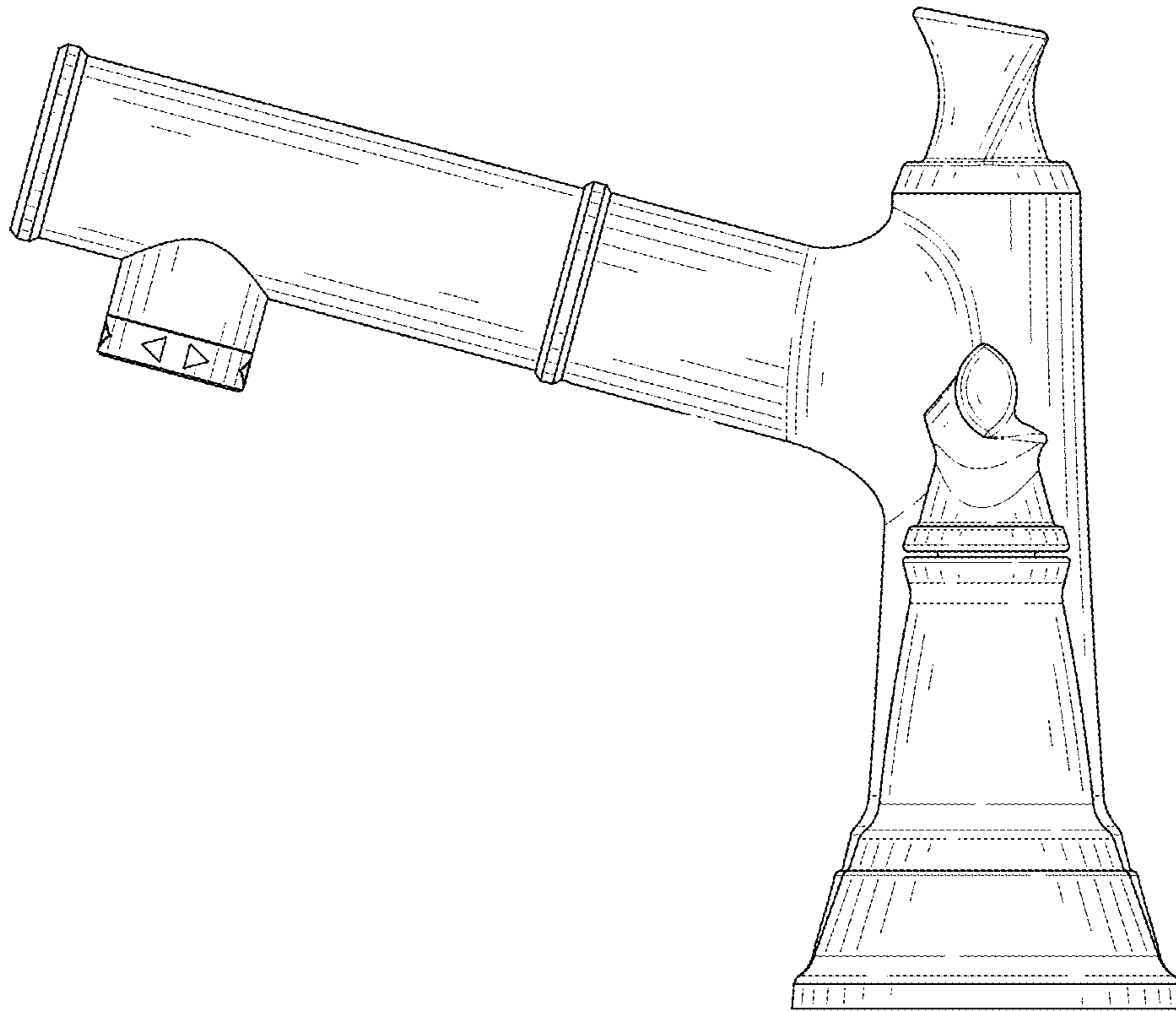


FIG. 6



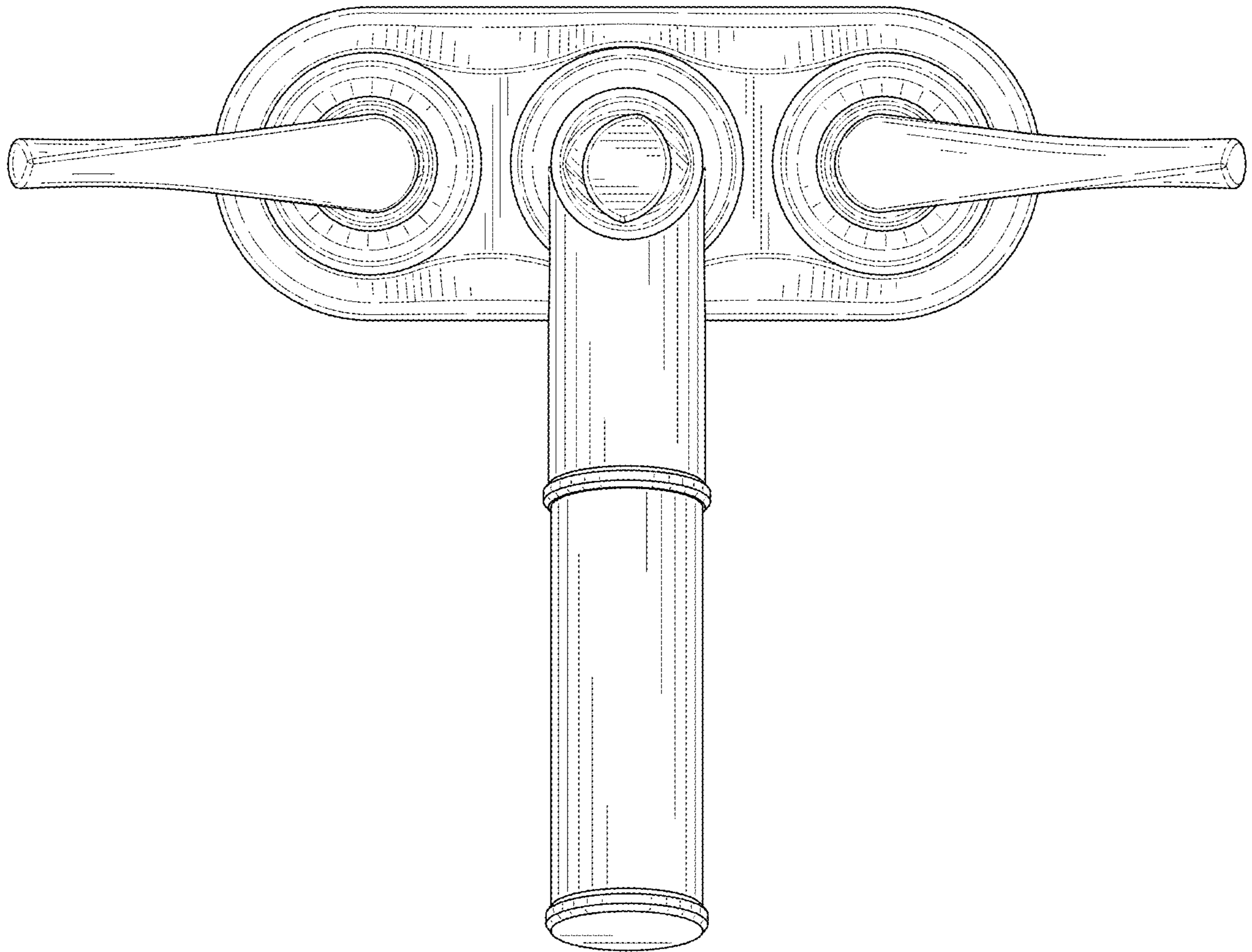


FIG. 7

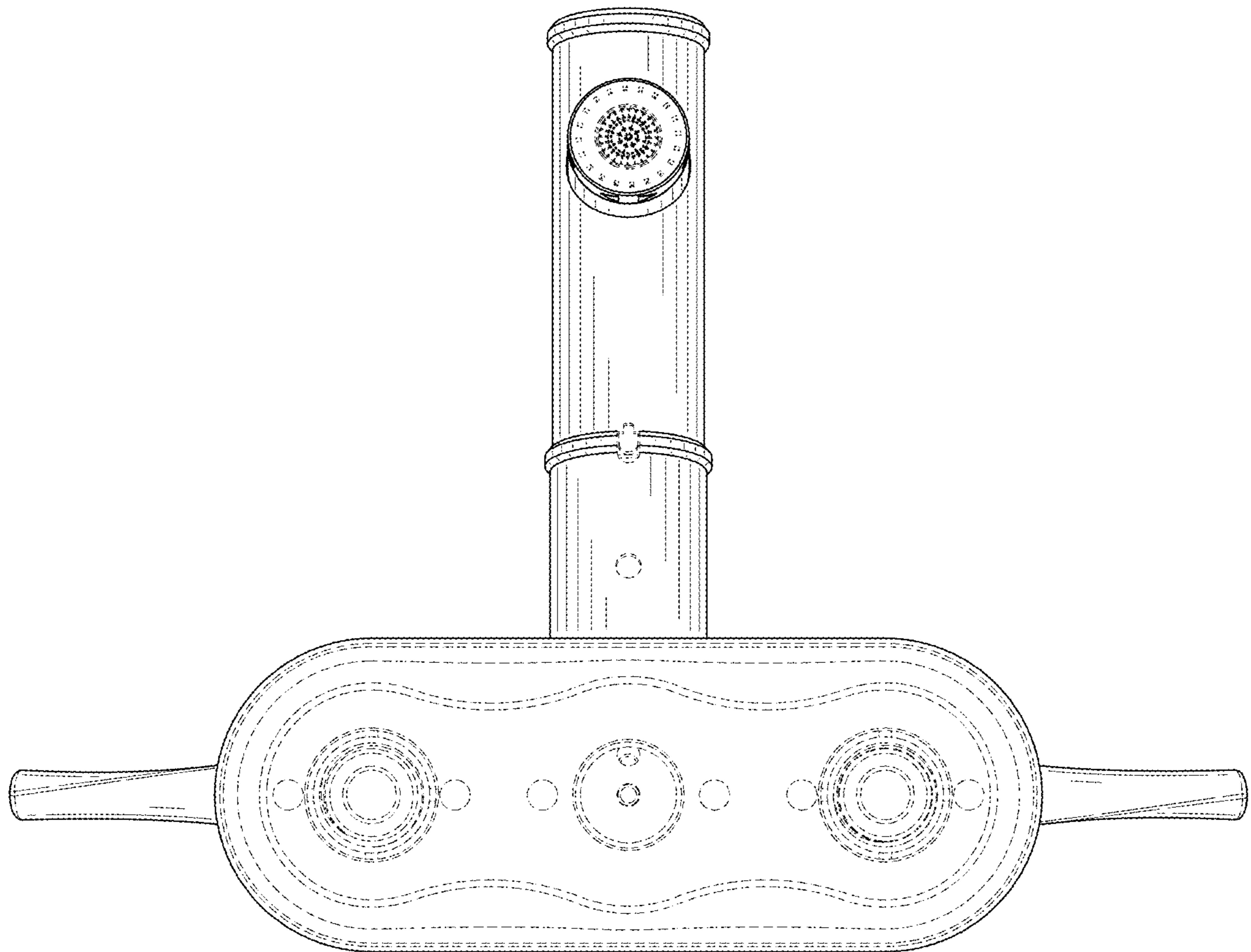


FIG. 8