



US00D983329S

(12) **United States Design Patent** (10) **Patent No.:** **US D983,329 S**  
**Chen** (45) **Date of Patent:** **\*\* Apr. 11, 2023**

(54) **FAUCET**  
(71) Applicant: **Wenzhou Yutong Technology Co., Ltd.**, Wenzhou (CN)  
(72) Inventor: **Hui Chen**, Ruian (CN)  
(\*\*) Term: **15 Years**  
(21) Appl. No.: **29/755,675**  
(22) Filed: **Oct. 22, 2020**  
(51) **LOC (14) Cl.** ..... **23-01**  
(52) **U.S. Cl.**  
USPC ..... **D23/242**  
(58) **Field of Classification Search**  
USPC ..... D23/238, 241–246, 248–258, 308;  
D8/303, 307, 308, 315  
CPC ... E03C 1/02; E03C 1/023; E03C 1/04; E03C  
1/0404; E03C 1/0409; E03C 1/0411;  
E03C 1/0412; Y10T 137/5339; Y10T  
137/6014; Y10T 137/6024; Y10T  
137/9464; F16K 11/0787; F16K 31/605  
See application file for complete search history.

(56) **References Cited**

U.S. PATENT DOCUMENTS

D350,390	S	*	9/1994	Bollenbacher	.....	D23/255
D352,095	S	*	11/1994	Bollenbacher	.....	D23/255
5,456,289	A	*	10/1995	Bergmann	.....	E03C 1/08 138/40
D513,789	S	*	1/2006	Kosasih	.....	D23/241
D515,669	S	*	2/2006	Ying-Hui	.....	D23/242
D518,558	S	*	4/2006	Soriano	.....	D23/255
D518,880	S	*	4/2006	Singtoroj	.....	D23/255
D532,085	S	*	11/2006	Svendsen	.....	D23/242
D591,834	S	*	5/2009	Williams	.....	D23/252
D767,728	S	*	9/2016	Flowers	.....	D23/242
D810,884	S	*	2/2018	Garland	.....	D23/252
D867,543	S	*	11/2019	Garland	.....	D23/242
D874,616	S	*	2/2020	Judge	.....	D23/252

D933,166	S	*	10/2021	Weber	.....	D23/242
D946,714	S	*	3/2022	Upadhyaya	.....	D23/252
D950,018	S	*	4/2022	Stoler	.....	D23/242
D952,801	S	*	5/2022	Upadhyaya	.....	D23/255
D954,913	S	*	6/2022	Upadhyaya	.....	D23/255
2020/0270852	A1	*	8/2020	Manga	.....	E03C 1/04

OTHER PUBLICATIONS

Bathfinesse Bathroom Sink Faucet, posted on [Oct. 22, 2021] [online], [retrieved Nov. 8, 2022]. Retrieved from internet, <https://www.amazon.com/BATHFINESSE-Widespread-Bathroom-Gooseneck-Lead-Free/dp/B09FNK7MLS?th=1> (Year: 2021).\*  
CN 202030632270.0, (Wenzhou Yutong Technology Co Ltd) Apr. 20, 2021, [ database online], [retrieved on Apr. 20, 2021]. Retrieved from Questel Orbit Intelligence Database using Internet <URL: <https://www.orbit.com/>> (Year: 2021).\*

\* cited by examiner

*Primary Examiner* — Sharon S Oum  
*Assistant Examiner* — Dasia K Gregg  
(74) *Attorney, Agent, or Firm* — Runit Ranjit Kanakia

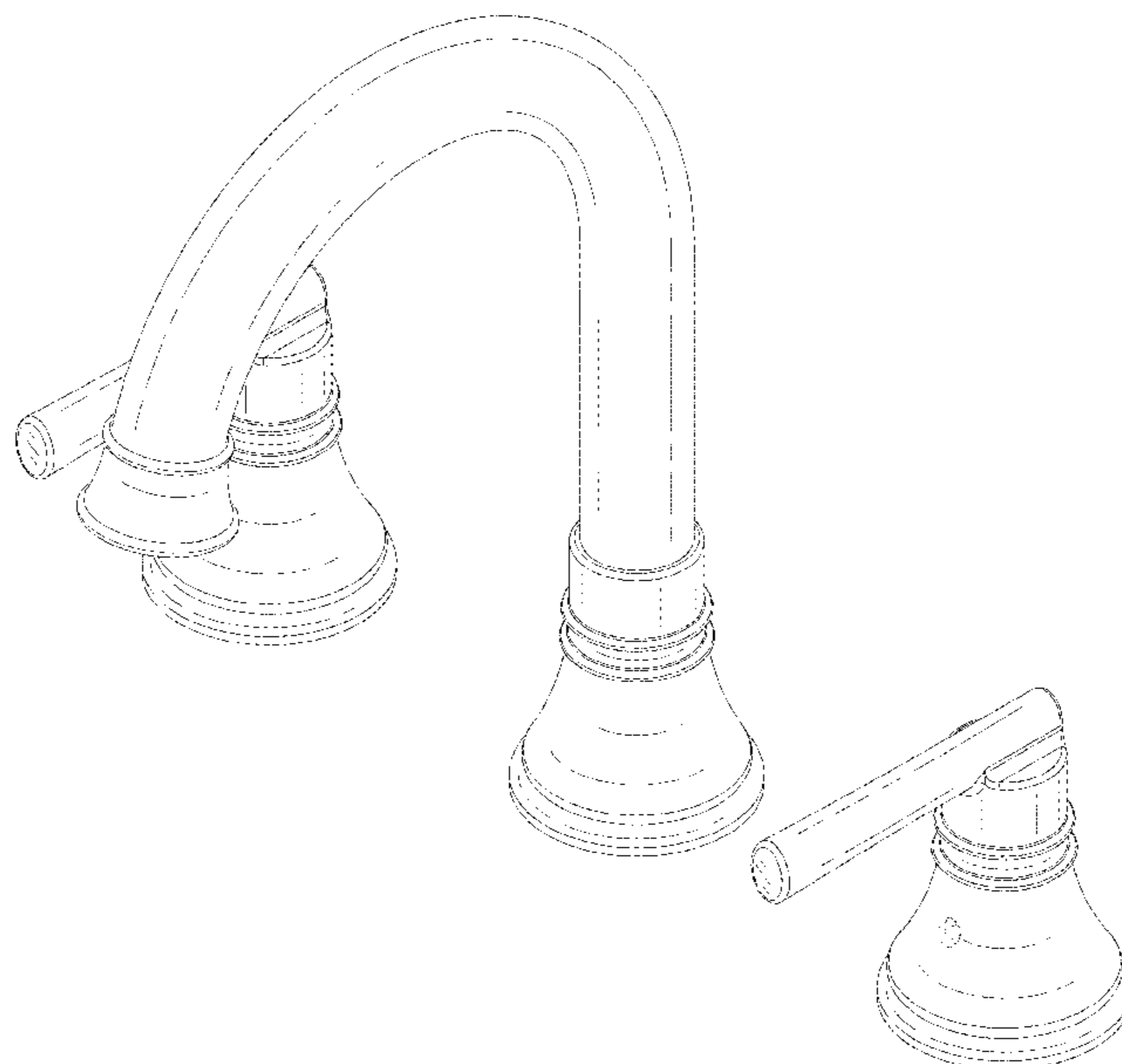
(57) **CLAIM**

I claim the ornamental design for a faucet, as shown and described.

**DESCRIPTION**

FIG. 1 is a Perspective view of a faucet showing my new design;  
FIG. 2 is a Front view thereof;  
FIG. 3 is a Back view thereof;  
FIG. 4 is a Right-side view thereof;  
FIG. 5 is a Left-side view thereof;  
FIG. 6 is a Top view thereof; and,  
FIG. 7 is a Bottom view thereof.  
The broken lines are only for environmental purposes and form no part of the claimed design.

**1 Claim, 7 Drawing Sheets**



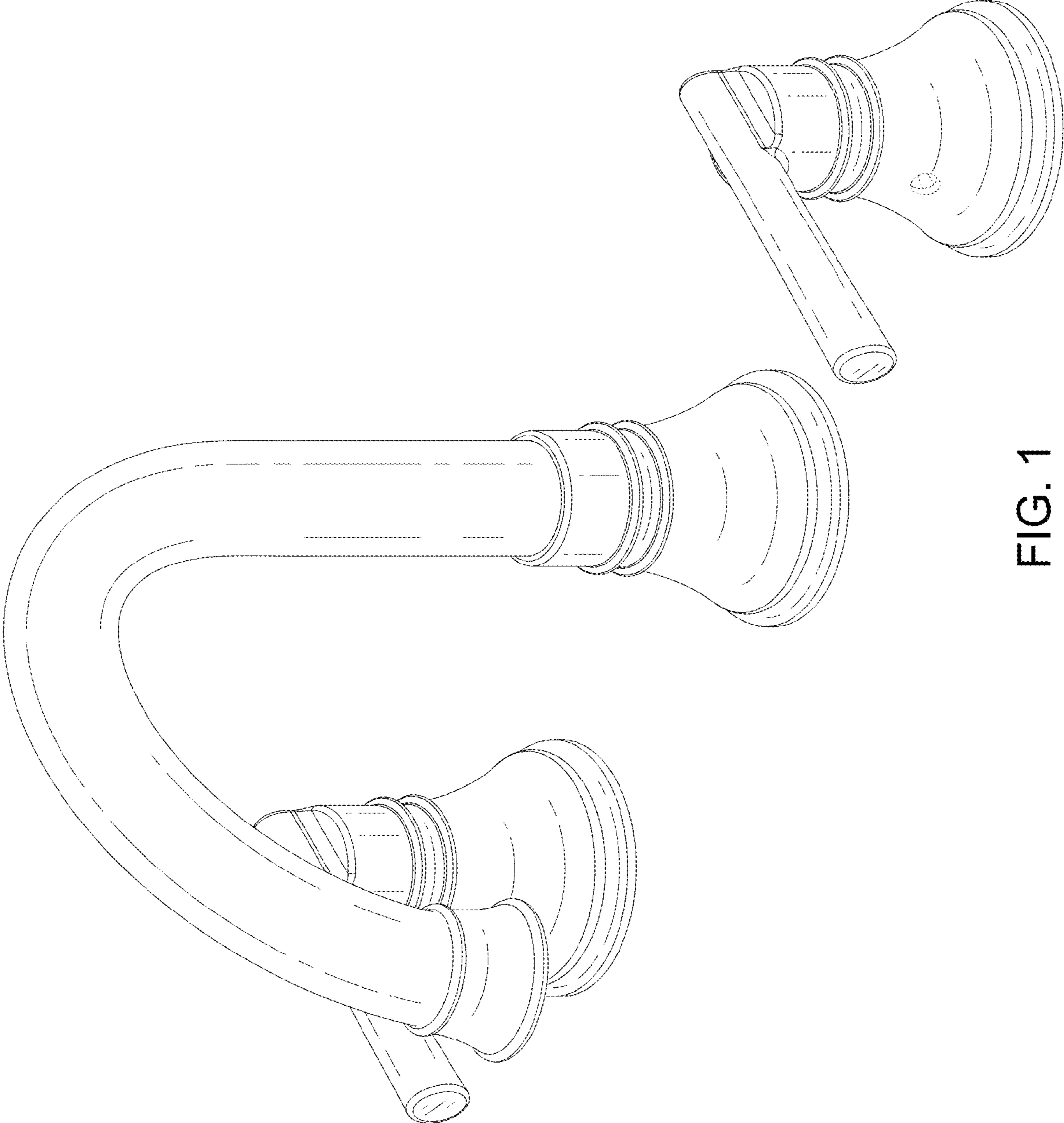


FIG. 1

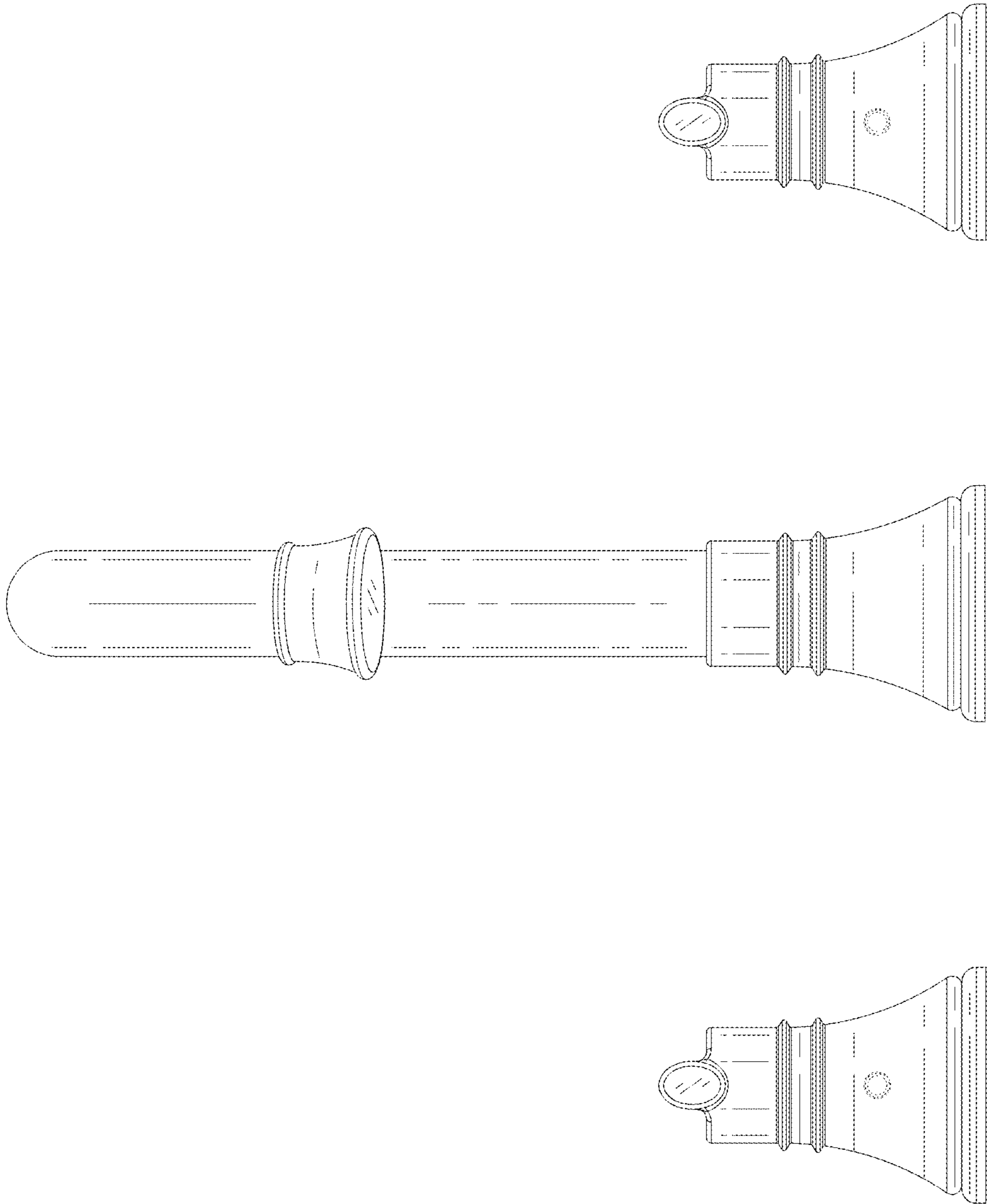


FIG. 2

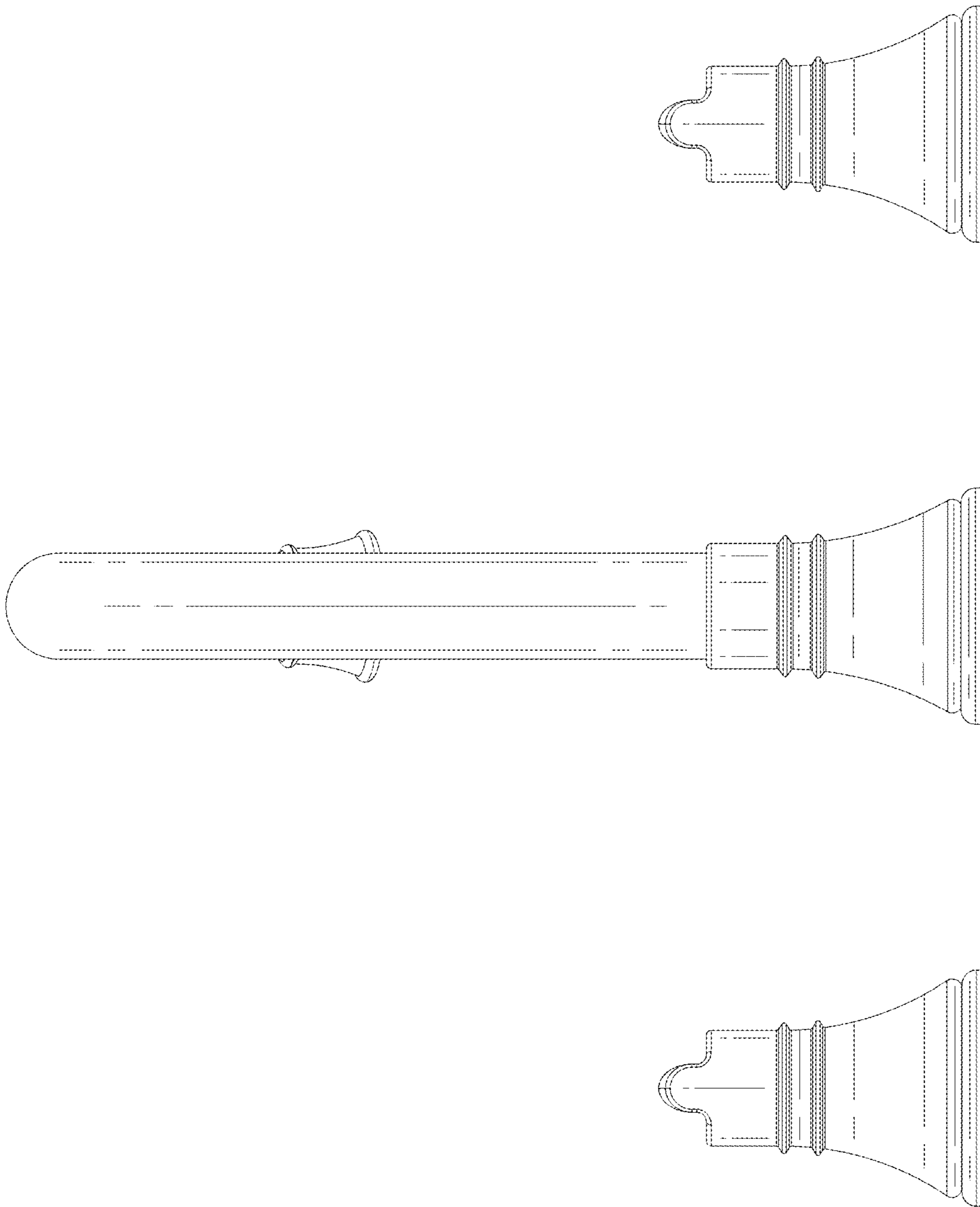


FIG. 3

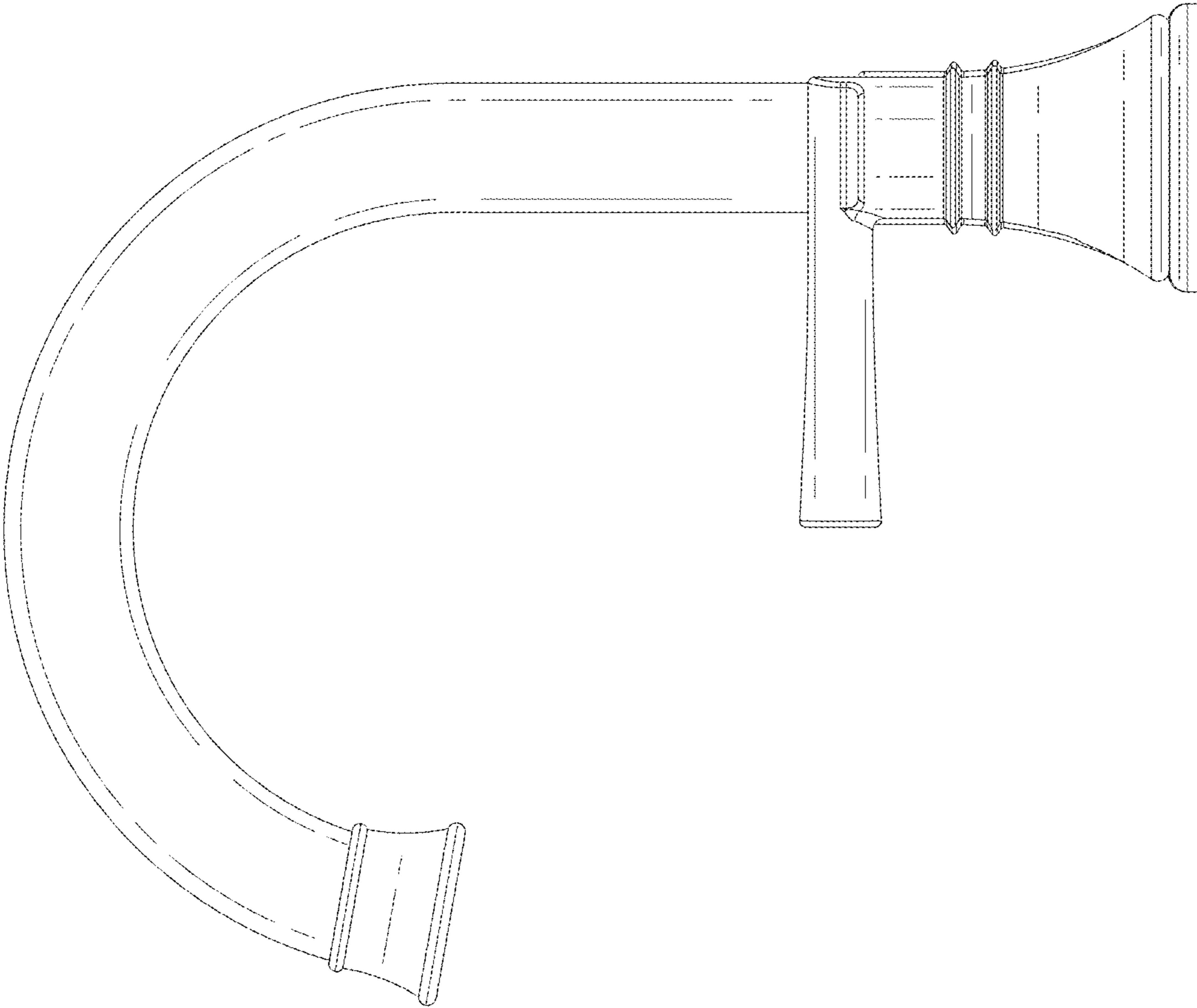


FIG. 4

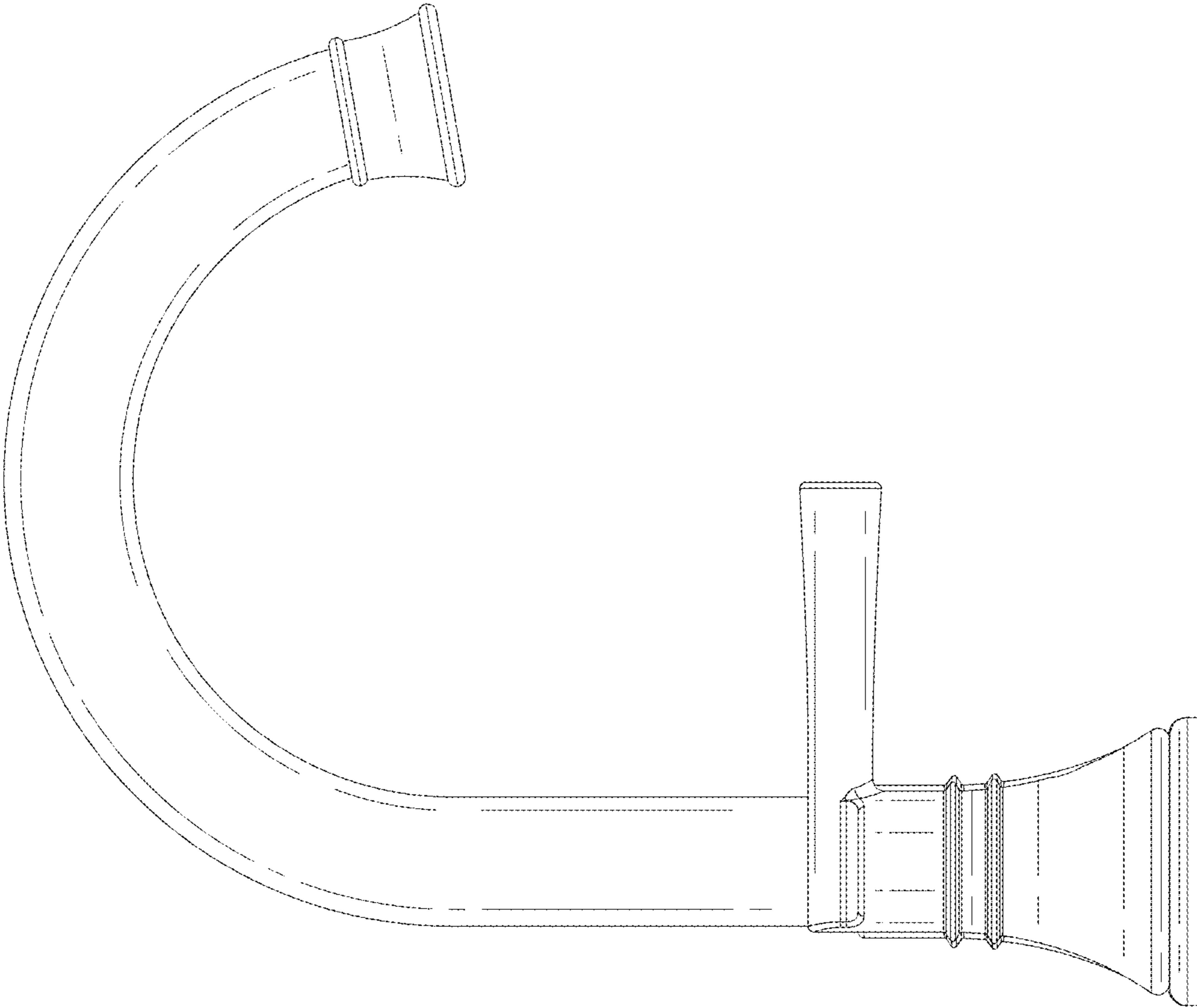


FIG. 5

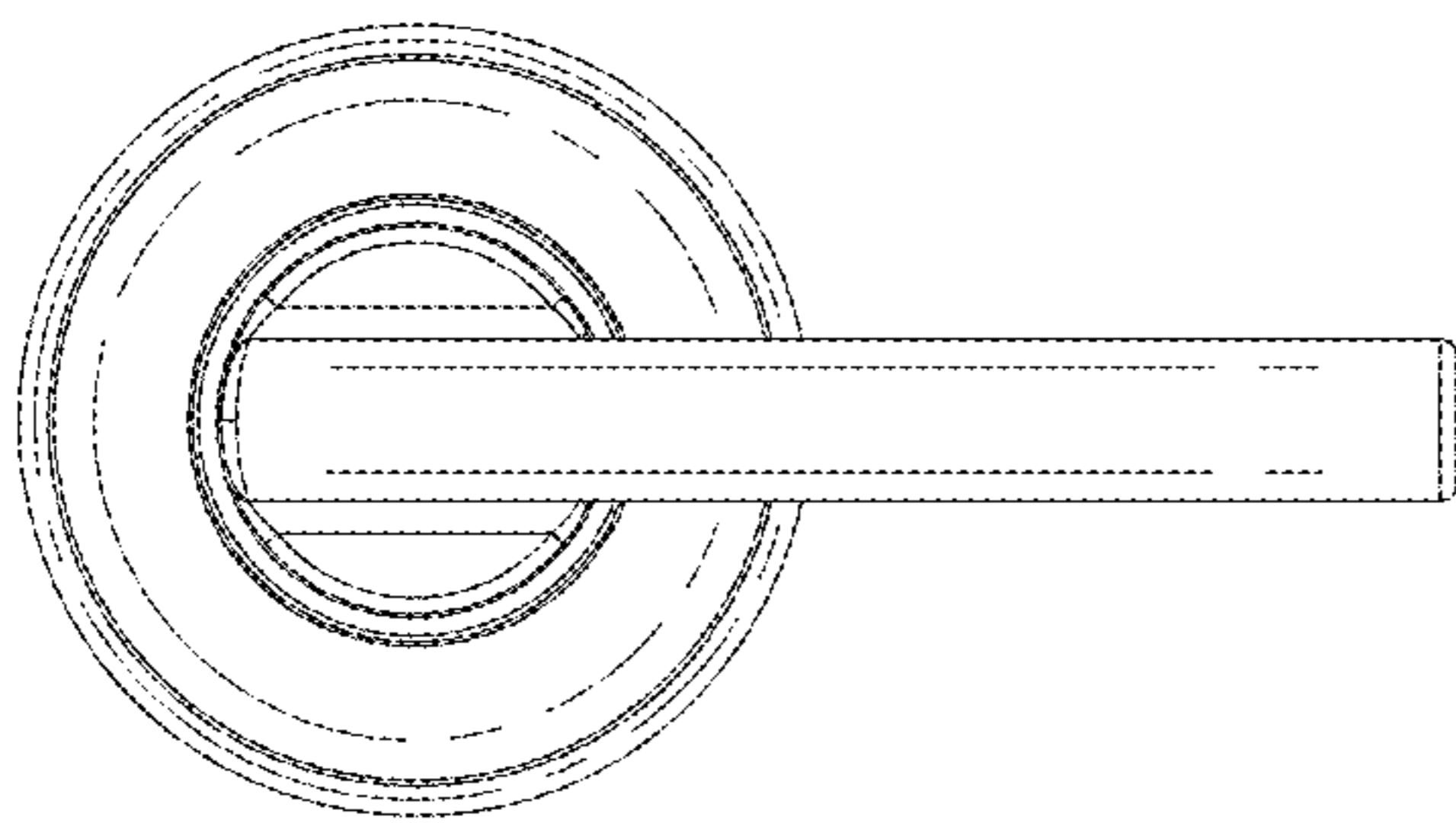
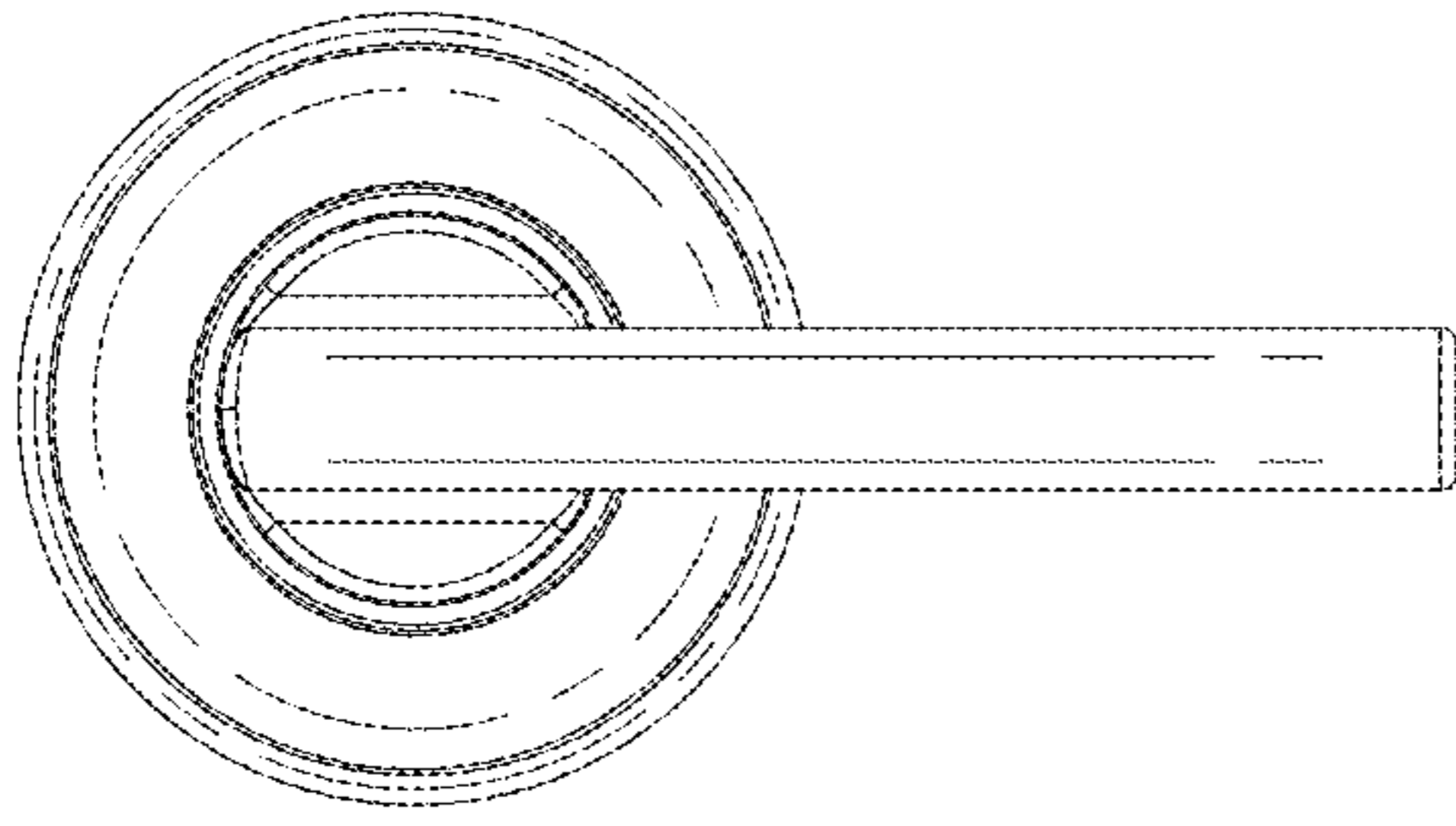


FIG. 6

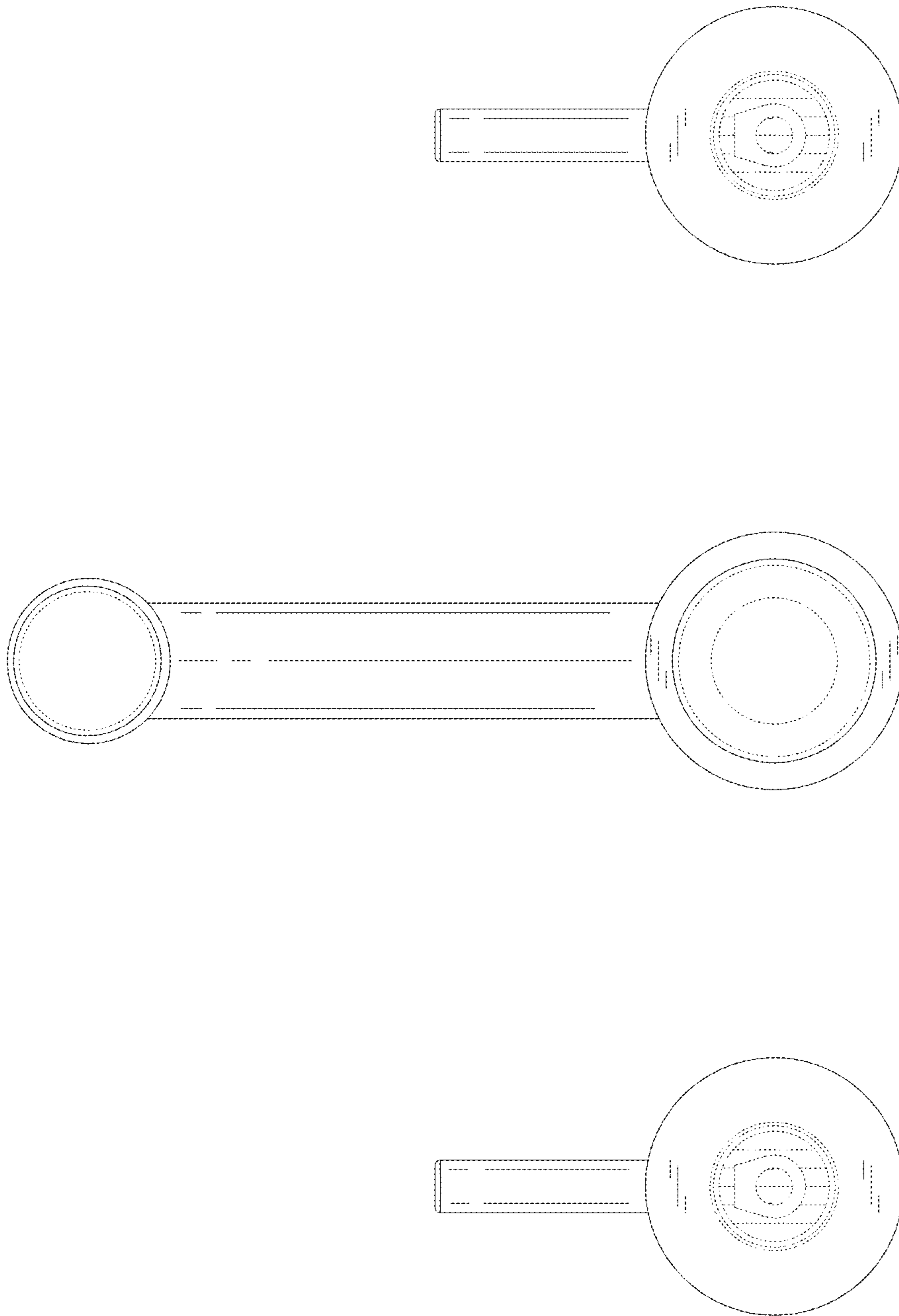


FIG. 7