



US00D983328S

(12) **United States Design Patent** (10) **Patent No.:** **US D983,328 S**
Li (45) **Date of Patent:** **** Apr. 11, 2023**

(54) **DUAL HORIZONTAL HANDLES PULL DOWN FAUCET BODY**

D791,282 S 7/2017 Bahler
D811,556 S 2/2018 Garland
D877,861 S 3/2020 Garland

(71) Applicant: **Luhua Li**, Guangdong (CN)

(72) Inventor: **Luhua Li**, Guangdong (CN)

(73) Assignee: **Shenzhen Yougao Kitchen Industry Co., Ltd.**, Shenzhen (CN)

(**) Term: **15 Years**

(21) Appl. No.: **29/853,041**

(22) Filed: **Sep. 13, 2022**

(51) **LOC (14) Cl.** **23-01**

(52) **U.S. Cl.**
USPC **D23/241**

(58) **Field of Classification Search**
USPC D23/238, 241-243, 249
See application file for complete search history.

(56) **References Cited**

U.S. PATENT DOCUMENTS

D513,636 S *	1/2006	Blomstrom	D23/241
D516,179 S *	2/2006	Ouyoung	D23/249
D517,656 S *	3/2006	Shieh	D23/242
D523,928 S *	6/2006	Chung	D23/249
7,264,016 B2 *	9/2007	Molina	E03C 1/04 137/454.6
D579,082 S	10/2008	Yuan		
D581,498 S	11/2008	Dolan		
D583,014 S *	12/2008	Daunter	D23/241
D654,570 S	2/2012	Yu		
D712,521 S	9/2014	Smith et al.		
D714,913 S	10/2014	Smith et al.		

OTHER PUBLICATIONS

Mini Deck Mount Single Hole Dual Handle Commercial Pre Rinse Mixer Kitchen Sink Faucet with Add on Tap and Pull out Spray <https://www.made-in-china.com/showroom/ivychan-2017/product-detailXvsEIShVLrpy/China-Mini-Deck-Mount-Single-Hole-Dual-Handle-Commercial-Pre-Rinse-Mixer-Kitchen-Sink-Faucet-with-Add-on-Tap-and-Pull-out-Spray.html> (Year: 2022).*

* cited by examiner

Primary Examiner — Robert A Delehanty

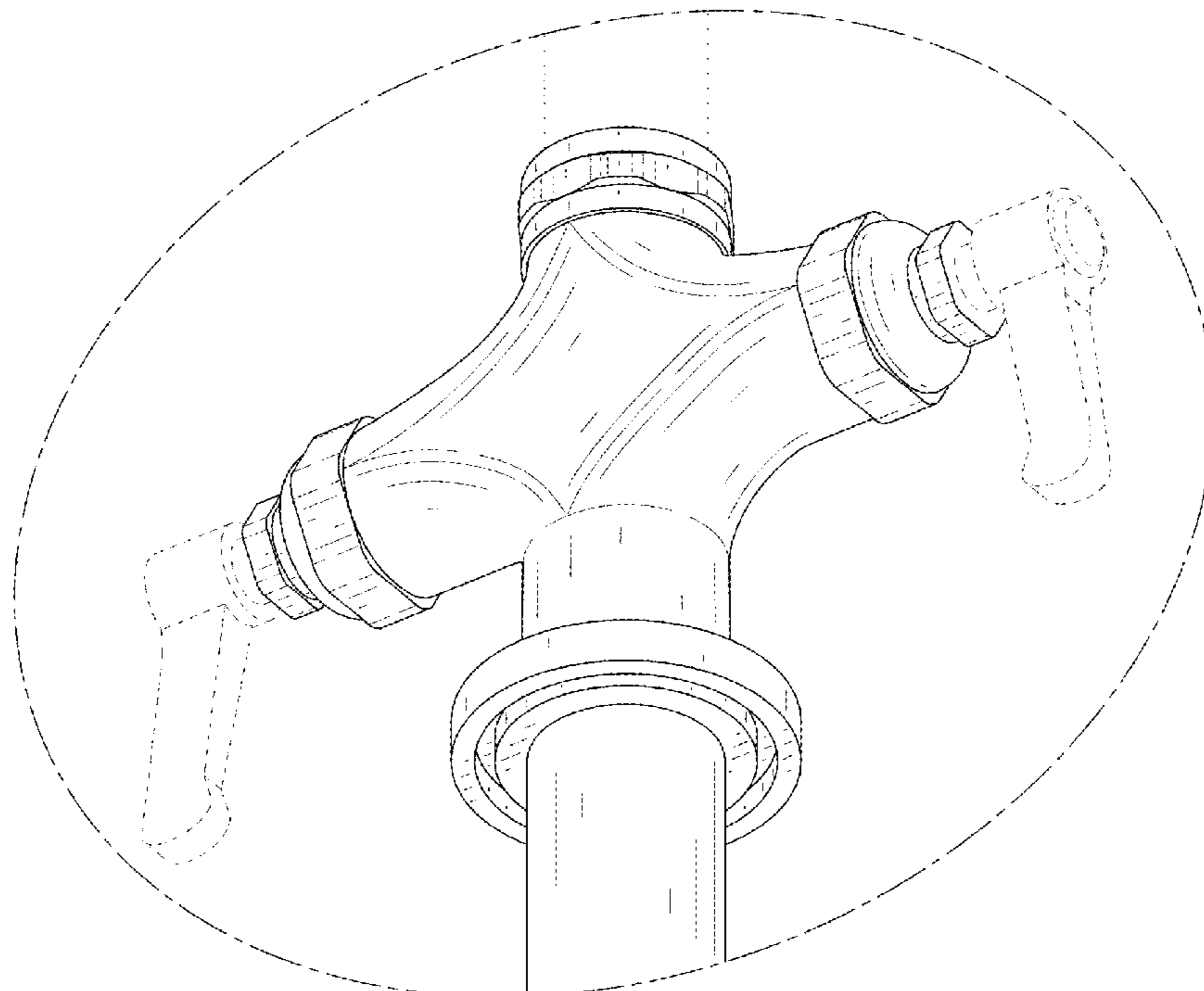
(57) **CLAIM**

The ornamental design for a dual horizontal handles pull down faucet body, as shown and described.

DESCRIPTION

FIG. 1 is a perspective view of a dual horizontal handles pull down faucet body showing my new design; FIG. 2 is another perspective view thereof; FIG. 3 is a front elevational view thereof; FIG. 4 is a rear elevational view thereof; FIG. 5 is a left side elevational view thereof; FIG. 6 is a right side elevational view thereof; FIG. 7 is a top plan view thereof; FIG. 8 is a bottom plan view thereof; and, FIG. 9 is an enlarged view selected from FIG. 1 thereof. The broken lines throughout the drawing figures depict portions of the dual horizontal handles pull down faucet body that form no part of the claimed design.

1 Claim, 9 Drawing Sheets



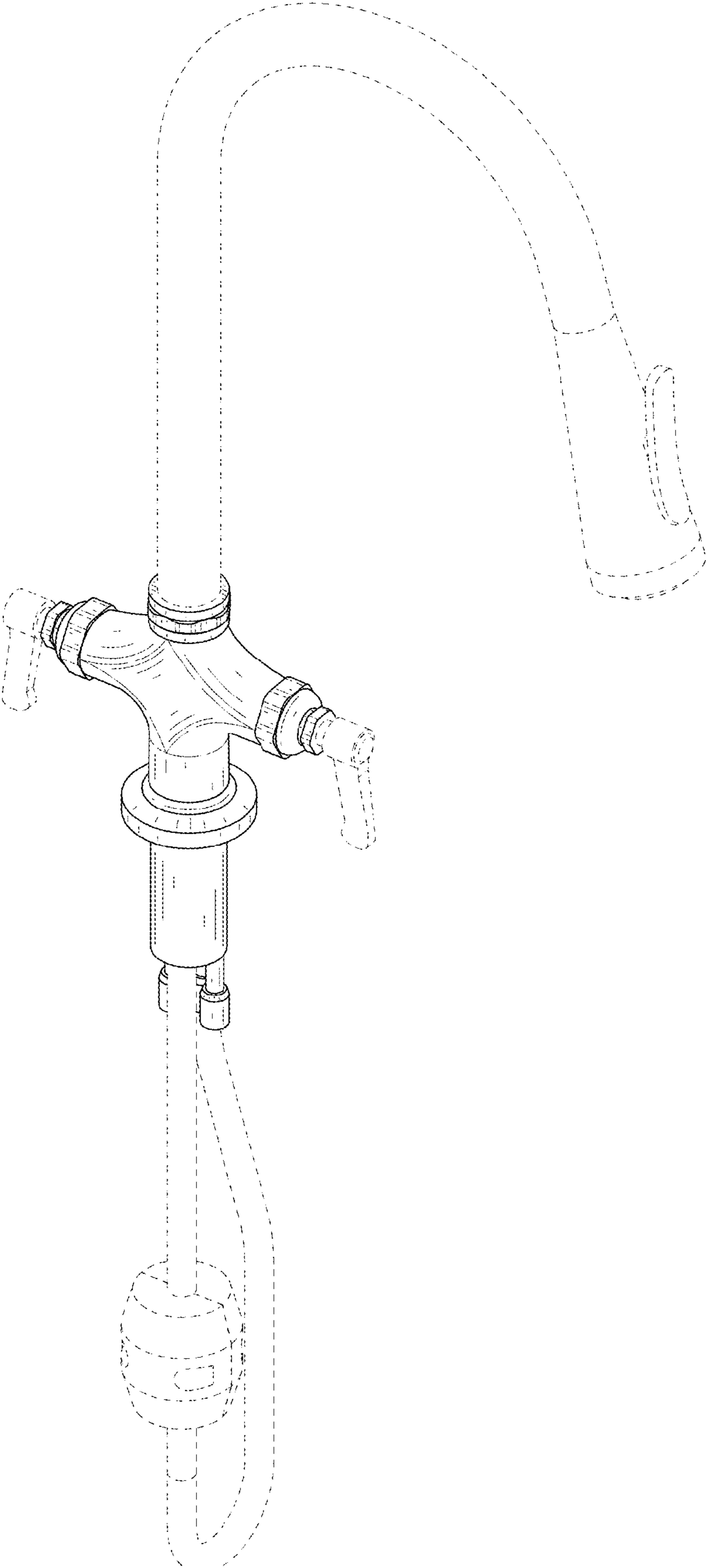


FIG. 1

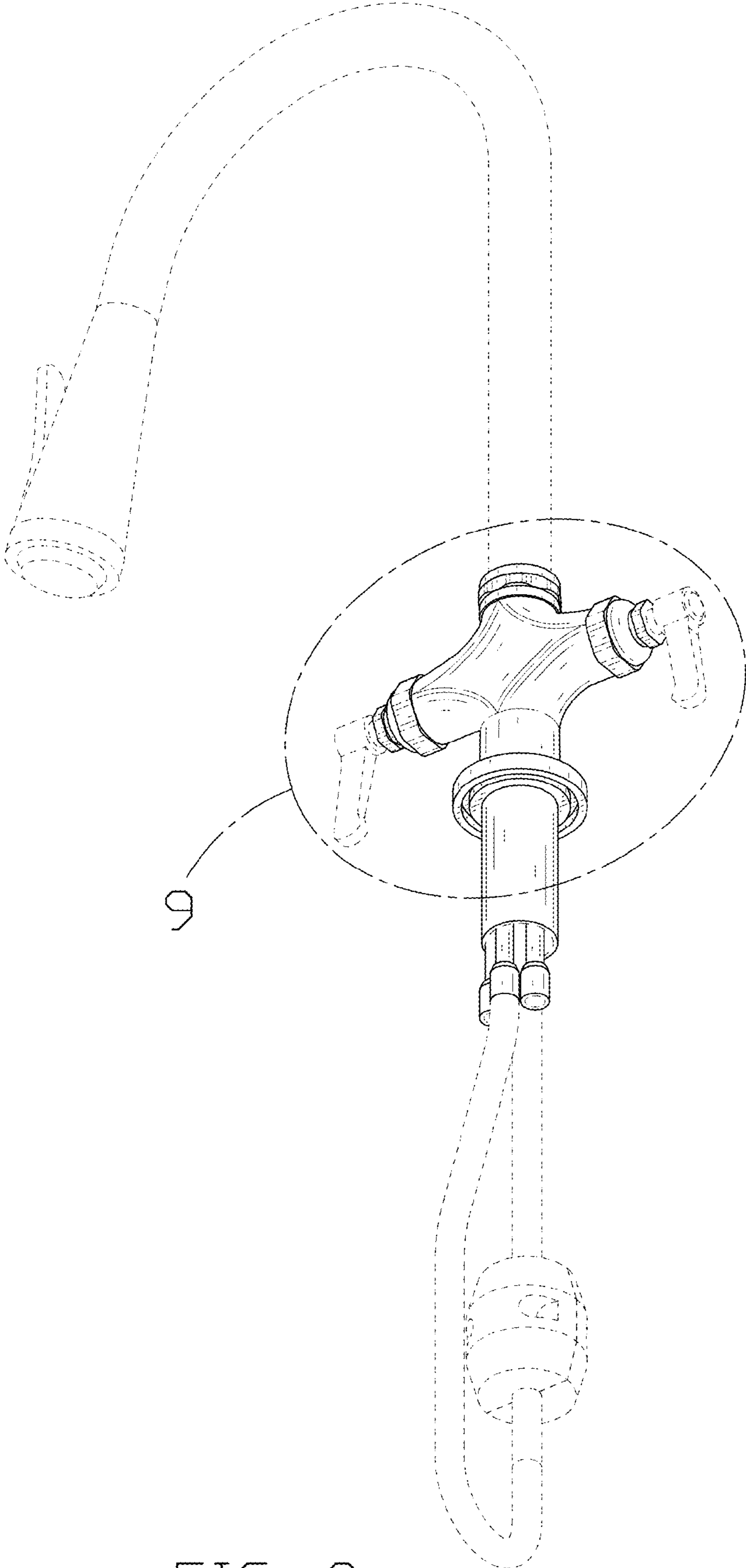


FIG. 2

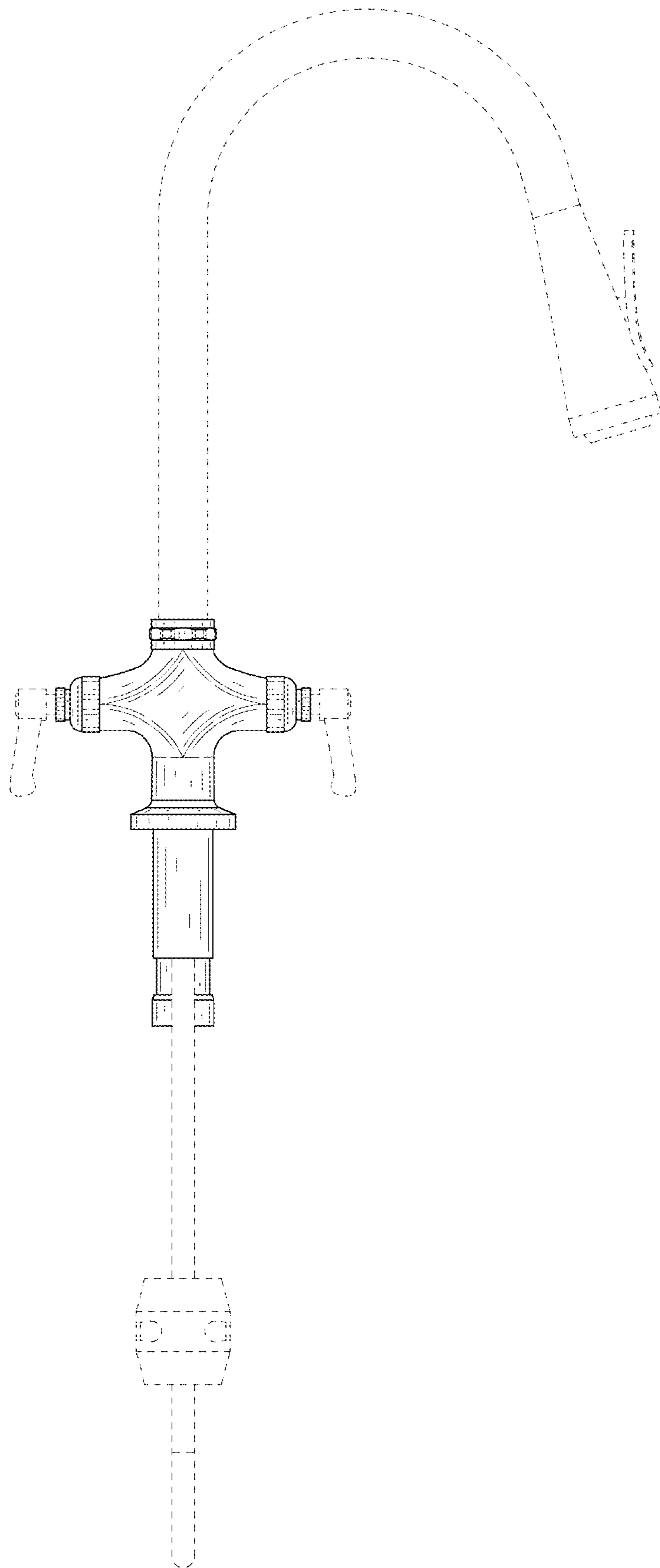


FIG. 3

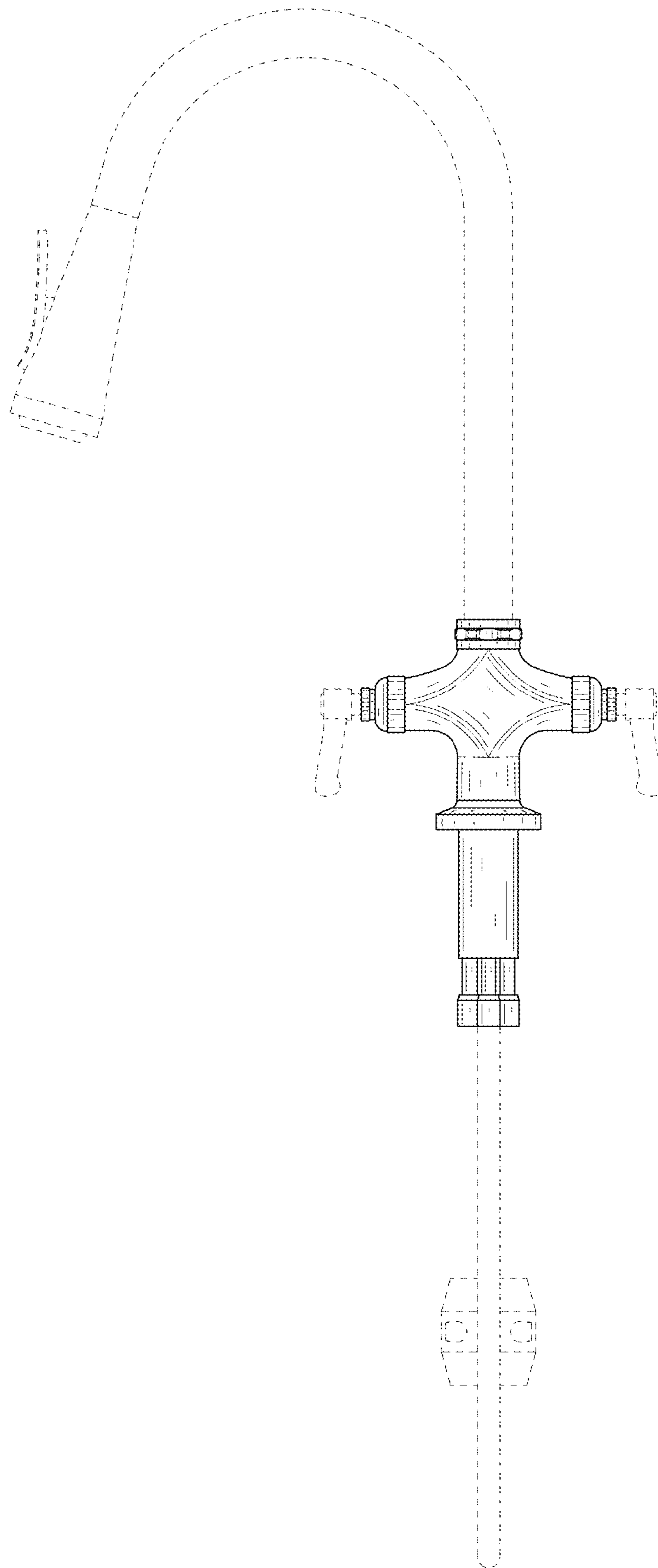


FIG. 4

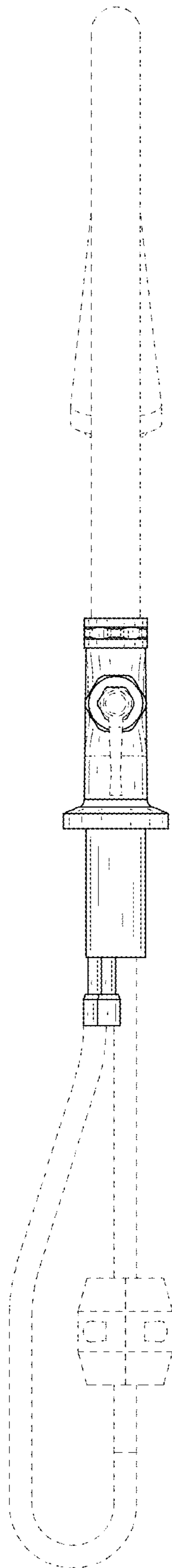


FIG. 5

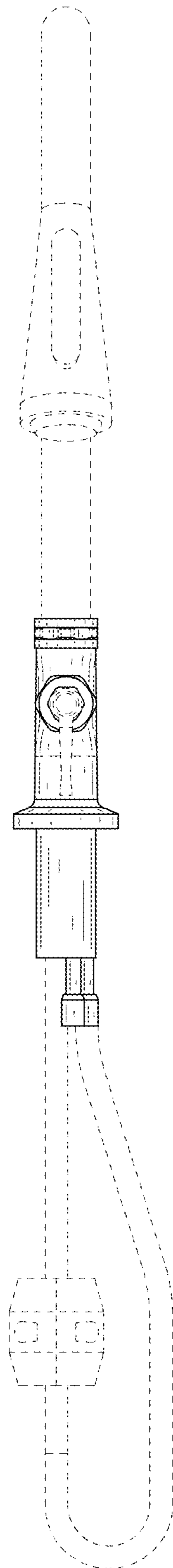


FIG. 6

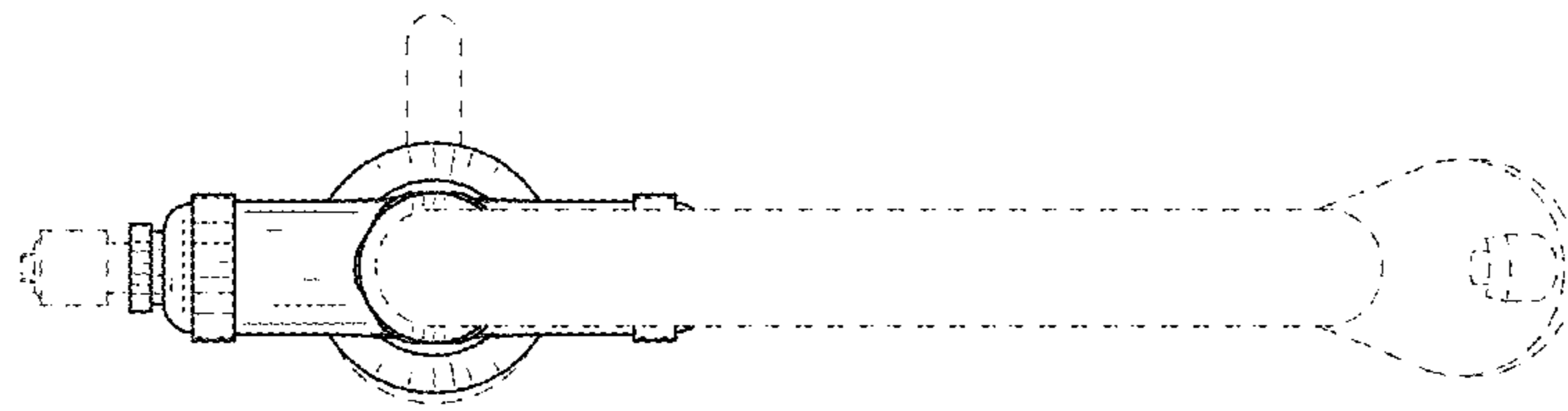


FIG. 7

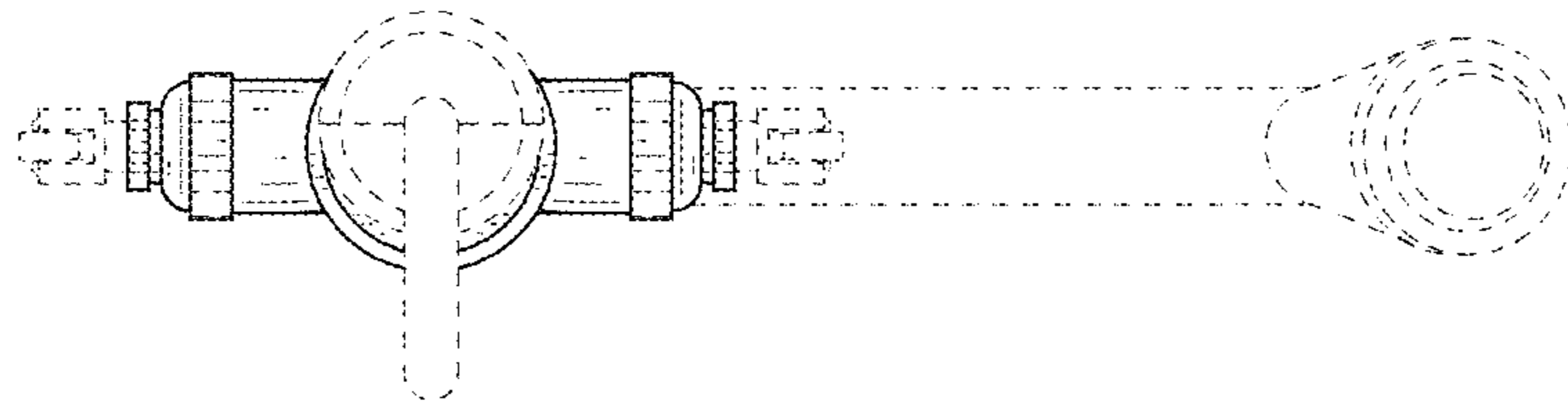


FIG. 8

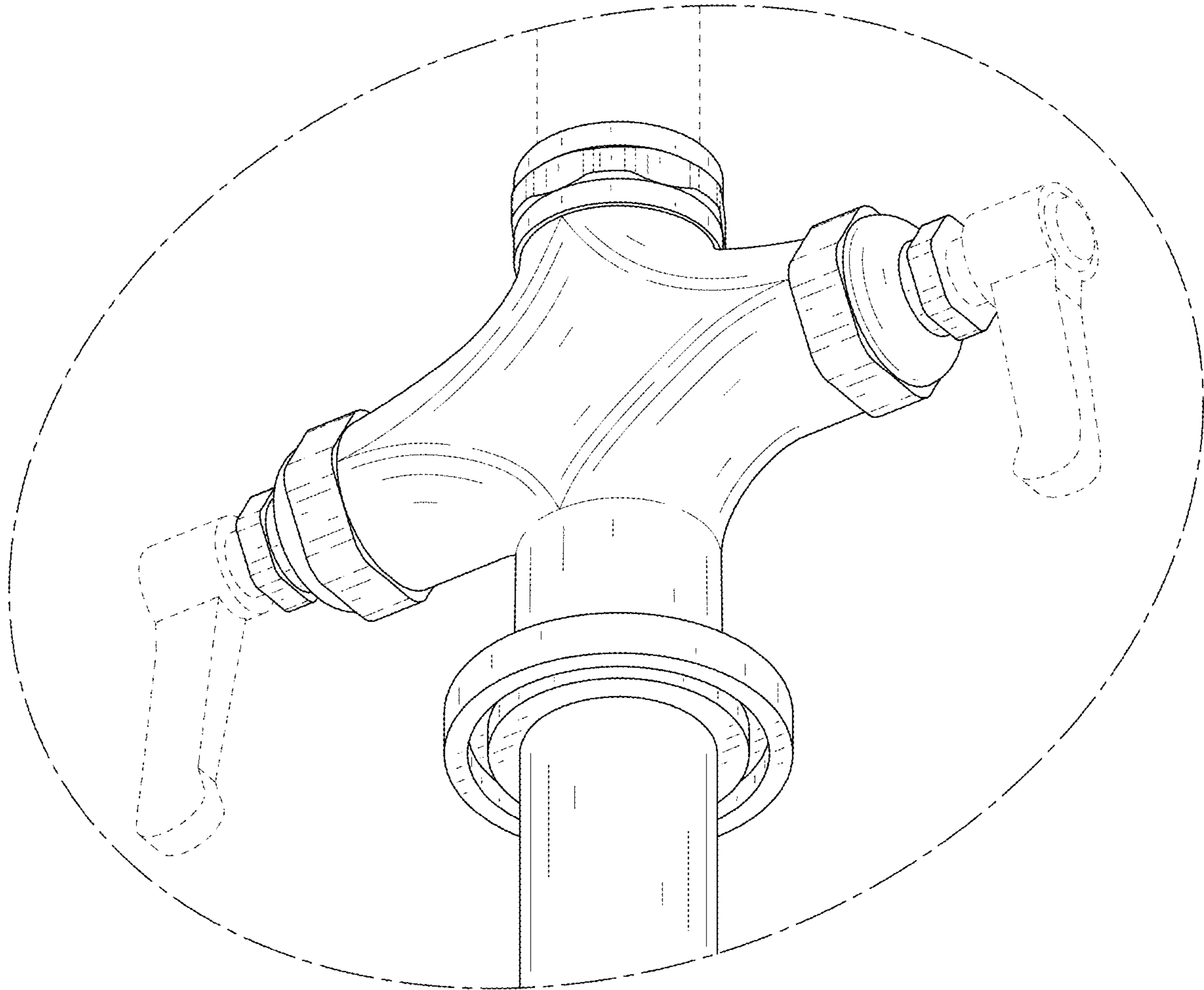


FIG. 9