



US00D983327S

(12) **United States Design Patent** (10) **Patent No.:** **US D983,327 S**
Zhang (45) **Date of Patent:** **** Apr. 11, 2023**

(54) **BATHROOM FAUCET**

OTHER PUBLICATIONS

(71) Applicant: **Kaven Zhang**, Zhongshan (CN)

Brushed Gold 4 Inch 2-Handle Centerset Bathroom Faucet, first available Sep. 11, 2020[online], [site visited Jul. 25, 2022]. Available from internet, URL:<https://www.amazon.com/dp/B08HV1D8DL> (Year: 2020).*

(72) Inventor: **Kaven Zhang**, Zhongshan (CN)

Matte Black 4 Inch 2 Handle Bathroom Faucet, first available Nov. 17, 2020[online], [site visited Jul. 25, 2022]. Available from internet, URL:<https://www.amazon.com/dp/B08NPY8C4P> (Year: 2020).*

(**) Term: **15 Years**

* cited by examiner

(21) Appl. No.: **29/783,696**

(22) Filed: **May 14, 2021**

Primary Examiner — David G Muller

(51) **LOC (14) Cl.** **23-01**

Assistant Examiner — Jamaal Rasheed

(52) **U.S. Cl.**

(74) *Attorney, Agent, or Firm* — Rumit Ranjit Kanakia

USPC **D23/241**

(58) **Field of Classification Search**

USPC D23/238–244, 252, 254–255, 257, 499;
D7/398

(57) **CLAIM**

CPC F16K 31/602; F16K 31/605; F16K 31/607;
E03C 1/0412

The ornamental design for a bathroom faucet, as shown and described.

See application file for complete search history.

(56) **References Cited**

DESCRIPTION

U.S. PATENT DOCUMENTS

D377,679 S *	1/1997	Gottwald	D23/238
D516,180 S *	2/2006	Ouyoung	D23/249
D527,076 S *	8/2006	Kolin	D23/242
D576,707 S *	9/2008	Schonherr	D23/238
D632,364 S *	2/2011	Choi	D23/238
D802,722 S *	11/2017	Flowers	D23/252
D855,772 S *	8/2019	Seum	D23/242
D885,524 S *	5/2020	Seum	D23/241
D913,431 S *	3/2021	Seum	D23/238
D921,850 S *	6/2021	Zhang	D23/257
D924,372 S *	7/2021	Flaig	D23/249
2017/0152649 A1 *	6/2017	Chang	F16K 31/60

FIG. 1 is a perspective view of a bathroom faucet showing my new design;

FIG. 2 is a front view thereof;

FIG. 3 is a rear view thereof;

FIG. 4 is a left side view thereof;

FIG. 5 is a right side view thereof;

FIG. 6 is a top view thereof;

FIG. 7 is a bottom view thereof; and,

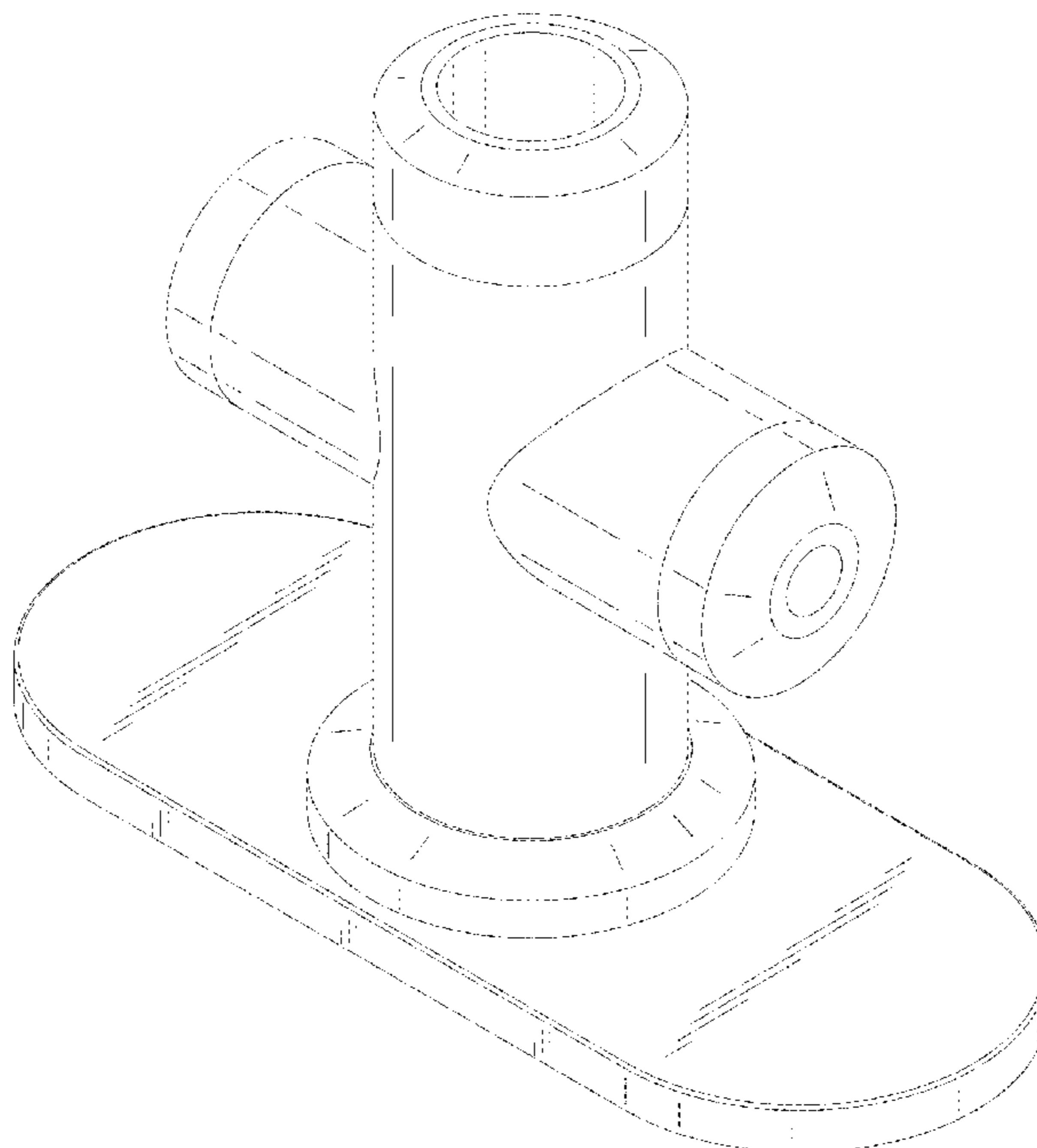
FIG. 8 is a perspective view of a bathroom faucet showing with tap and both side handle.

The broken lines shown in the figures depict portions of the bathroom faucet that form no part of the claimed design.

FOREIGN PATENT DOCUMENTS

KR 301106013.0000 * 4/2021

1 Claim, 7 Drawing Sheets



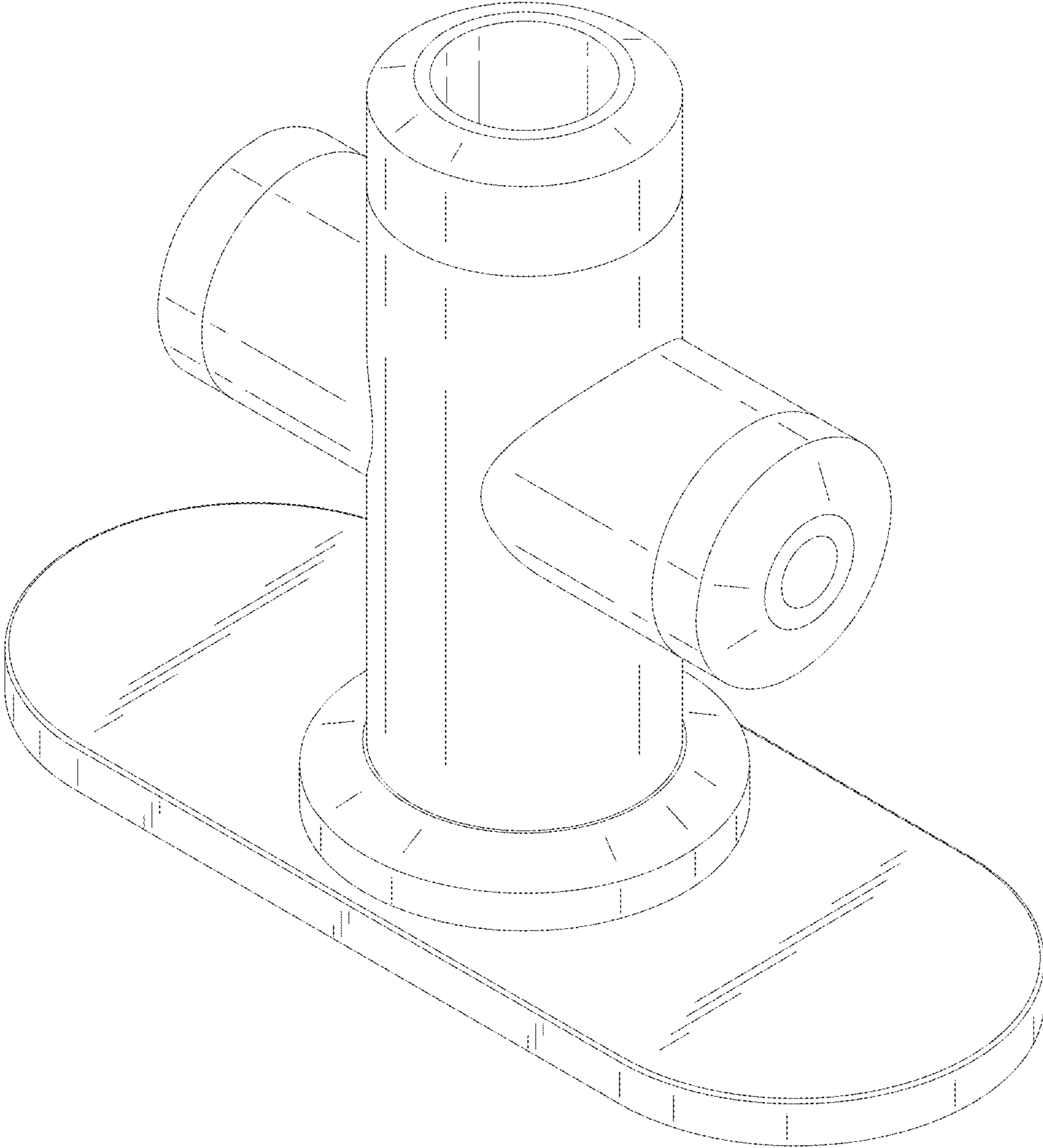


FIG. 1

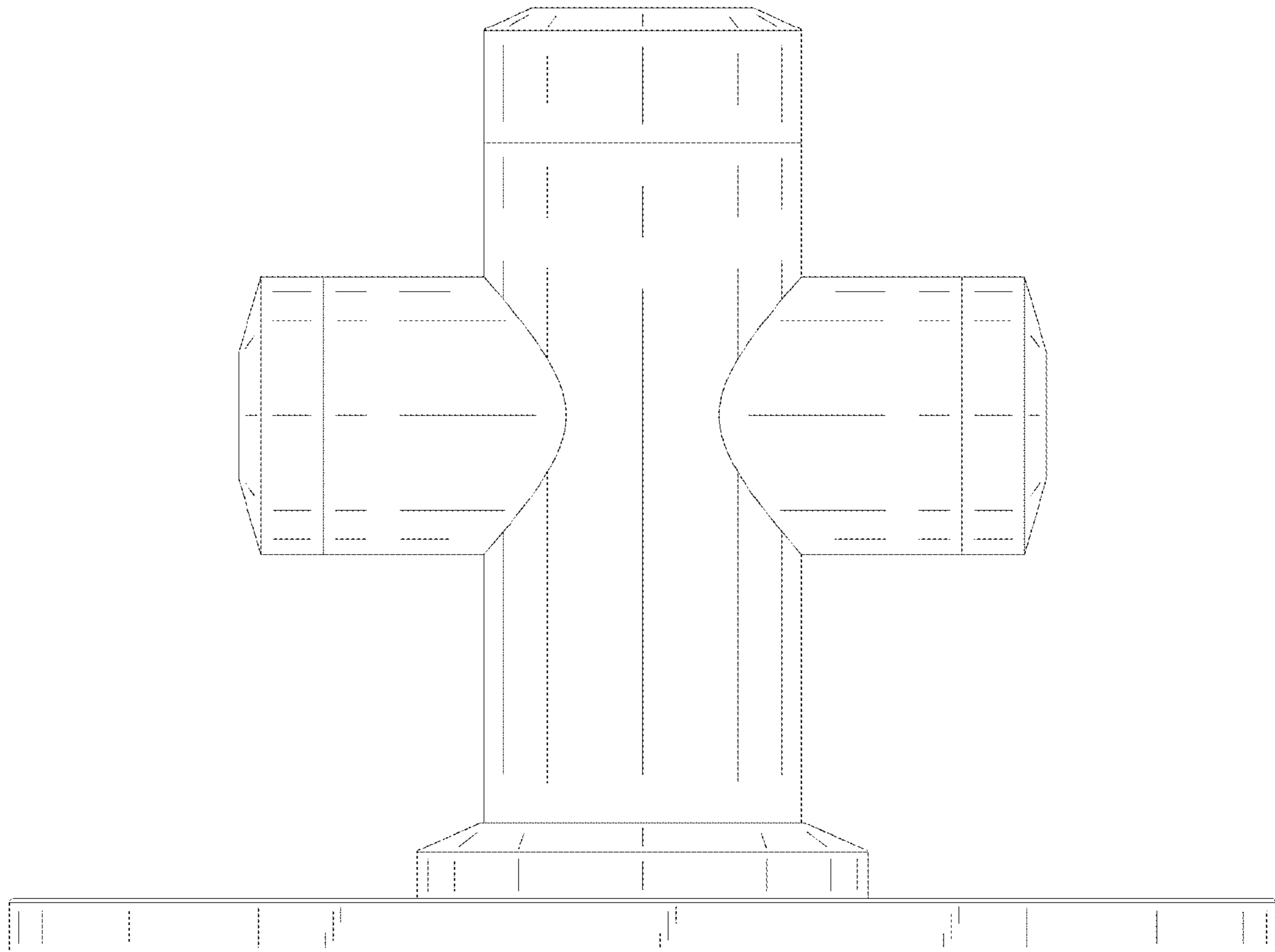


FIG. 2

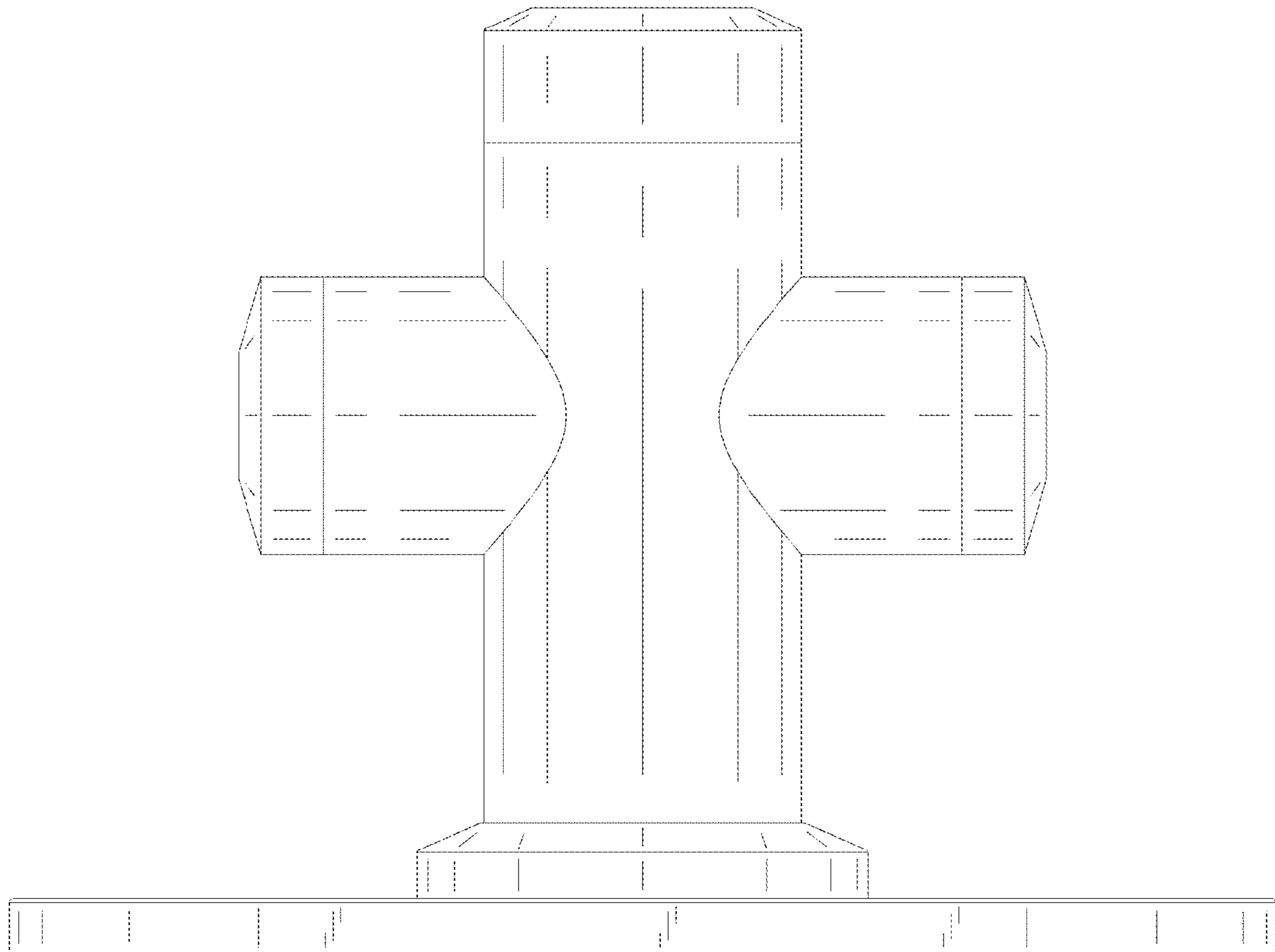


FIG. 3

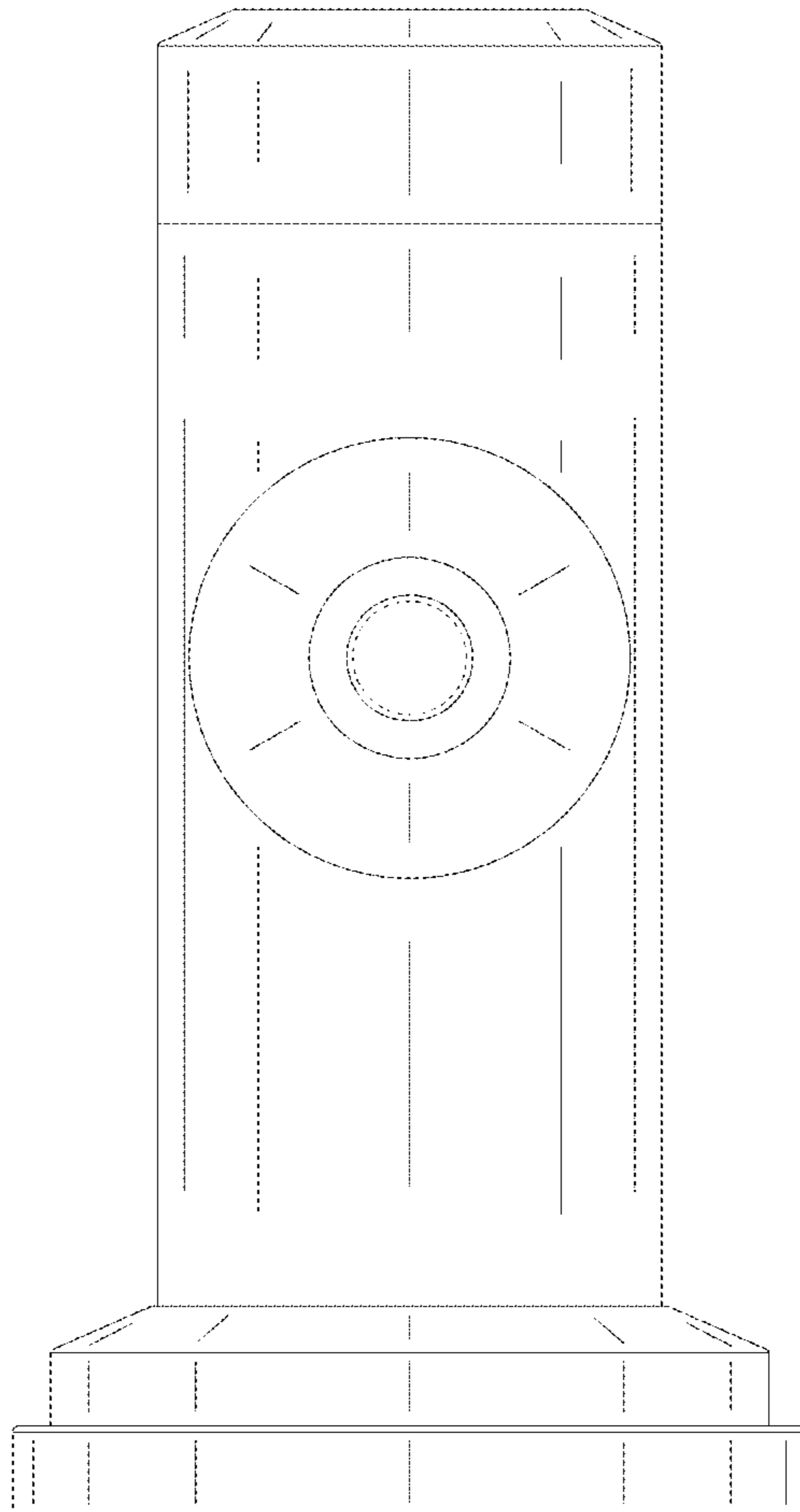


FIG. 4

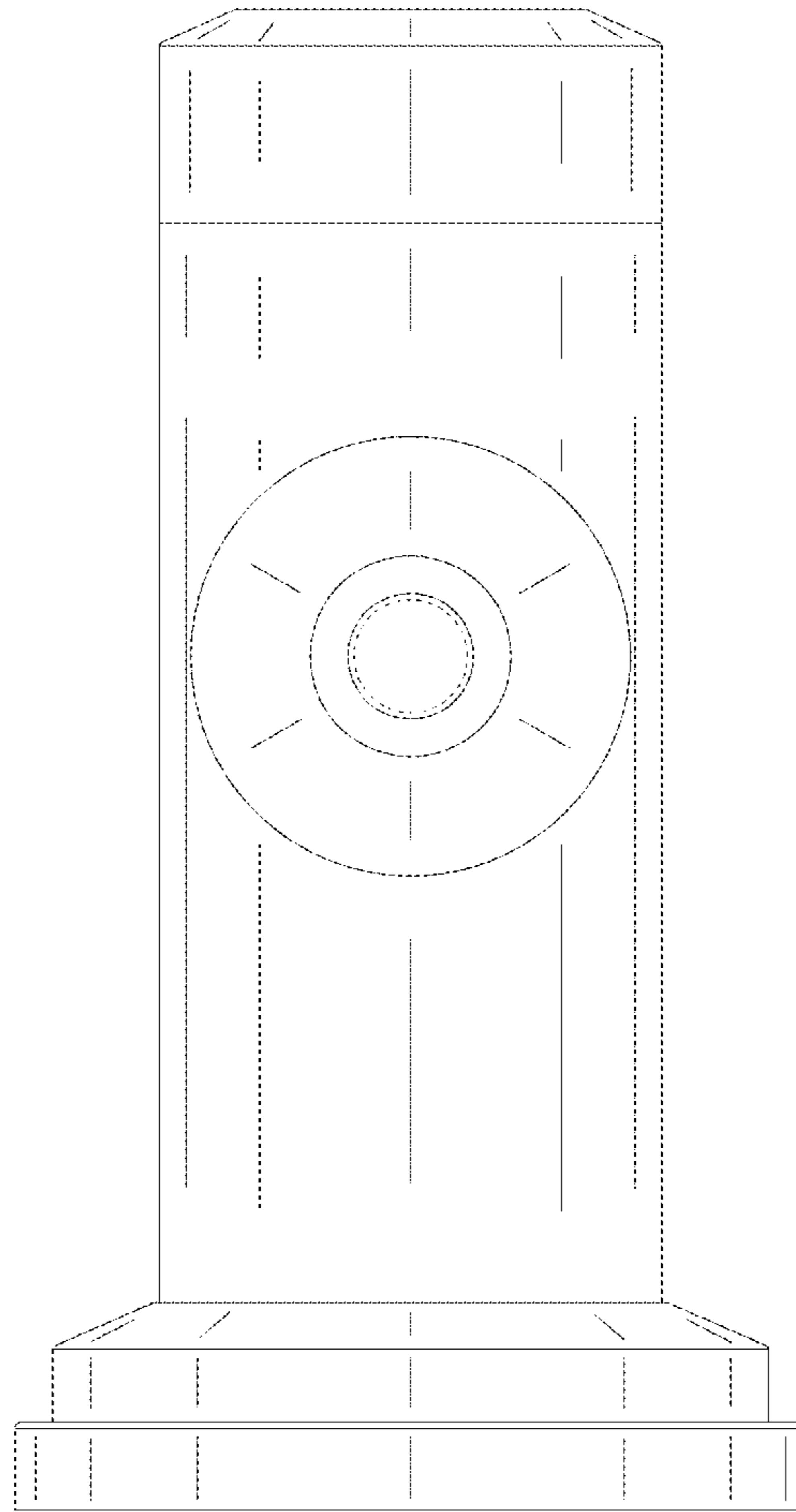


FIG. 5

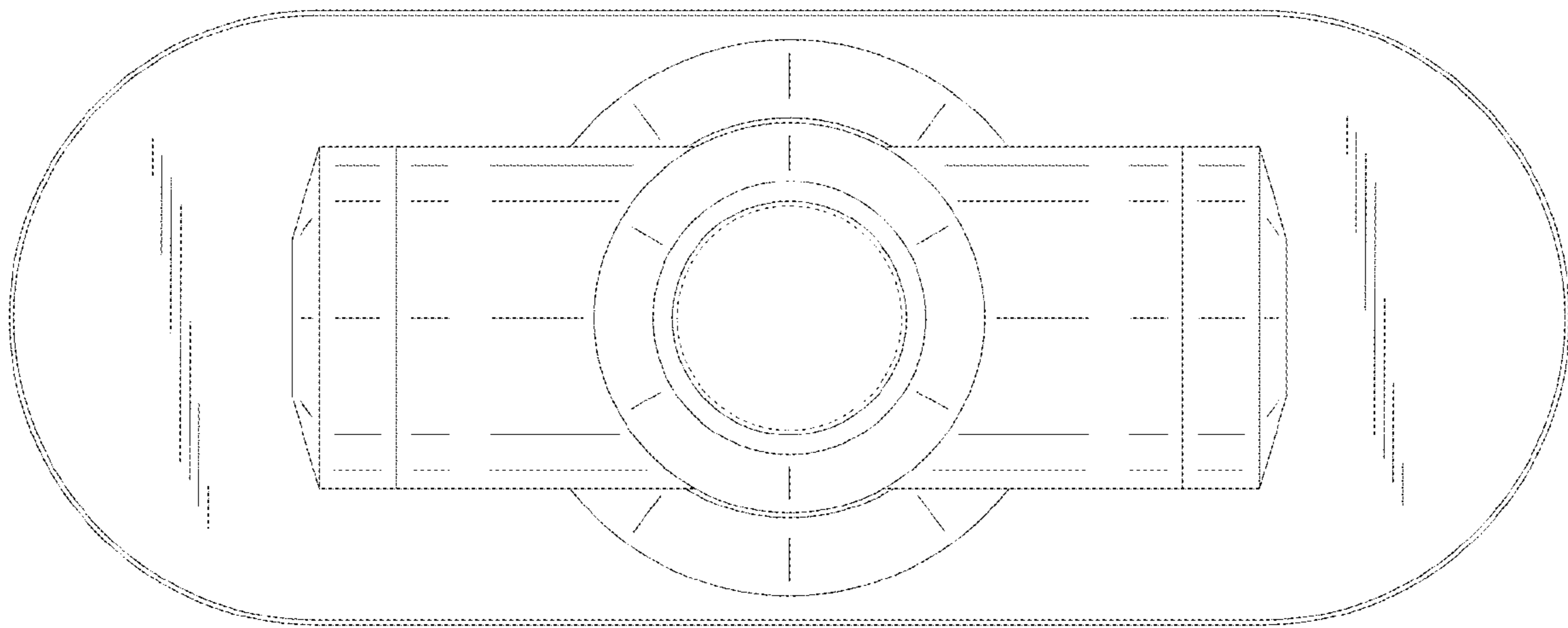


FIG. 6

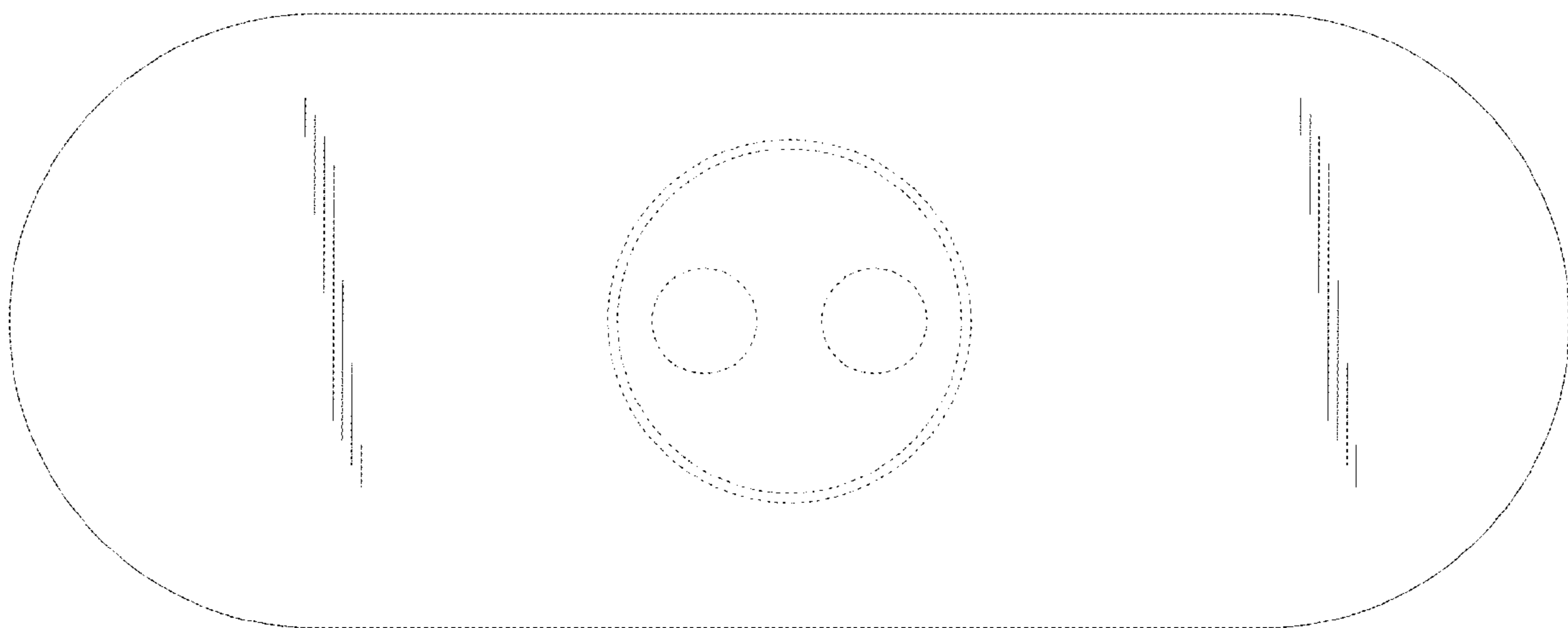


FIG. 7

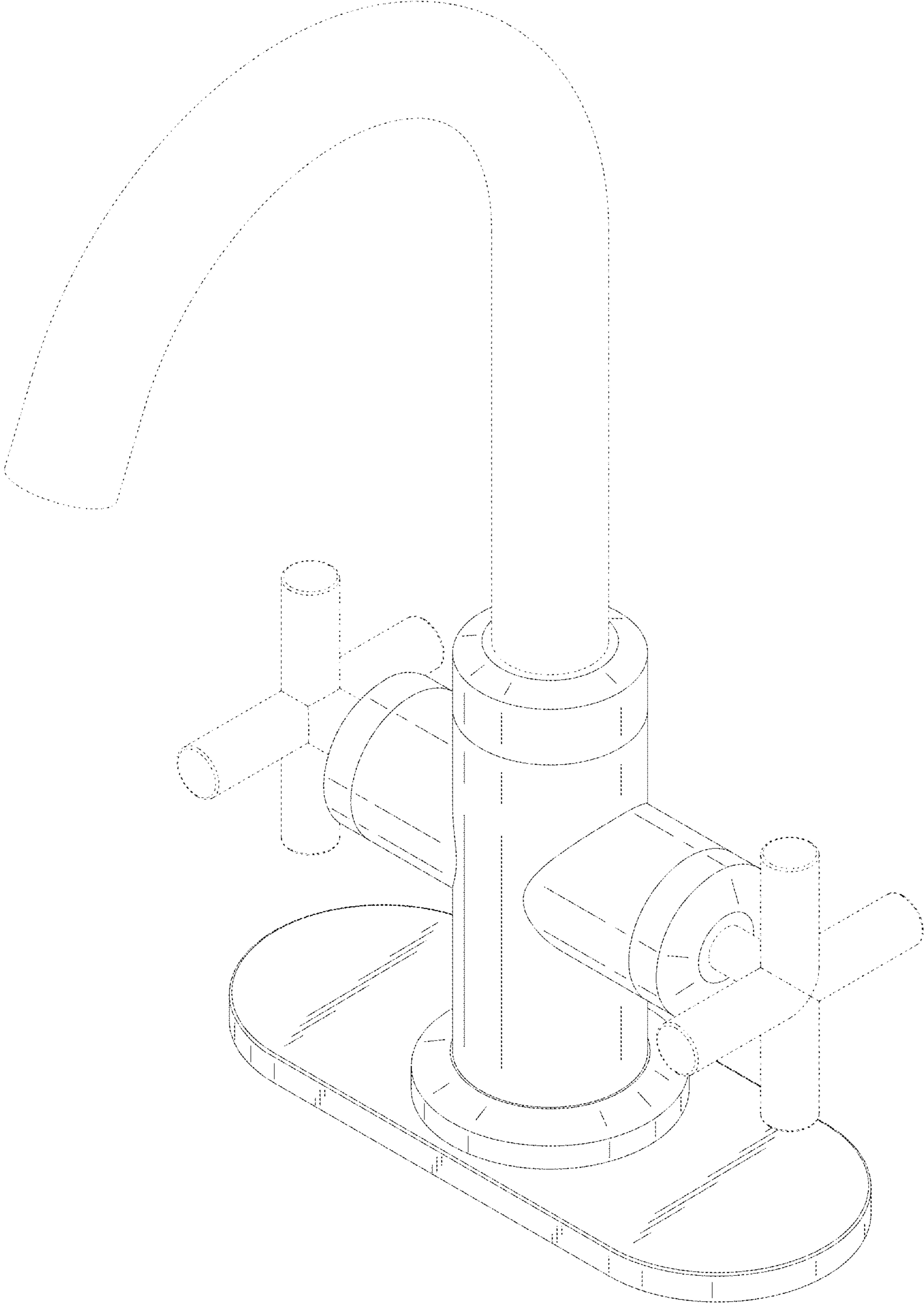


FIG. 8