



US00D983325S

(12) **United States Design Patent**
Wang

(10) **Patent No.:** **US D983,325 S**
(45) **Date of Patent:** **** Apr. 11, 2023**

(54) **FAUCET KIT**

(71) Applicant: **WENZHOU JIUYUAN SANITARY WARE TECHNOLOGY CO., LTD.**, Wenzhou (CN)

(72) Inventor: **Libo Wang**, Xinyang (CN)

(73) Assignee: **WENZHOU JIUYUAN SANITARY WARE TECHNOLOGY CO., LTD.**, Wenzhou (CN)

(**) Term: **15 Years**

(21) Appl. No.: **29/863,541**

(22) Filed: **Dec. 20, 2022**

(51) **LOC (14) Cl.** **23-01**

(52) **U.S. Cl.**
USPC **D23/238**

(58) **Field of Classification Search**
USPC D23/238, 239, 240, 241, 242, 243, 246,
D23/247, 249, 250, 251, 252, 253, 254,
D23/255

CPC E03C 1/00; E03C 1/01; E03C 1/02; E03C
1/0401; E03C 1/0403; E03C 1/0404;
E03C 1/0405; E03C 1/0412; E03C 1/05;
E03C 1/042; E03C 1/023; E03C 1/04;
F16K 31/60

See application file for complete search history.

(56) **References Cited**

U.S. PATENT DOCUMENTS

D312,681 S	*	12/1990	Kohler, Jr.	D23/255
D319,685 S	*	9/1991	Kohler, Jr.	D23/255
D321,039 S	*	10/1991	Robbins	D23/255
D326,504 S	*	5/1992	Robbins	D23/255
D510,411 S	*	10/2005	Lord	D23/255
D511,811 S	*	11/2005	Lord	D23/255
D550,331 S	*	9/2007	Soriano	D23/255
D581,030 S	*	11/2008	Fritz	D23/255
D594,532 S	*	6/2009	Schoenherr	D23/238

(Continued)

OTHER PUBLICATIONS

Amazon, Wovier Chrome Waterfall Basin Mixer Tap, posted Jan. 3, 2017, [online], [visited Feb. 17, 2023]. Internet, <URL: https://www.amazon.co.uk/Wovier-Chrome-Waterfall-Single-Bathroom/dp/B07MT7XS8P/ref> (Year: 2017).*

(Continued)

Primary Examiner — Samantha Wood

(74) *Attorney, Agent, or Firm* — Daniel M. Cohn;
Howard M. Cohn

(57) **CLAIM**

The ornamental design for a faucet kit, as shown and described.

DESCRIPTION

FIG. 1 is a perspective view of a faucet kit showing my new design;

FIG. 2 is another perspective view thereof;

FIG. 3 is a front elevational view thereof;

FIG. 4 is a rear elevational view thereof;

FIG. 5 is a left side elevational view thereof;

FIG. 6 is a right side elevational view thereof;

FIG. 7 is a top plan view thereof; and

FIG. 8 is a bottom plan view thereof;

FIG. 9 is a perspective view of the handle of FIG. 1, shown separately to show aspects of the design that are not visible when combined.

FIG. 10 is another perspective view thereof;

FIG. 11 is a front elevational view thereof;

FIG. 12 is a rear elevational view thereof;

FIG. 13 is a left side elevational view thereof;

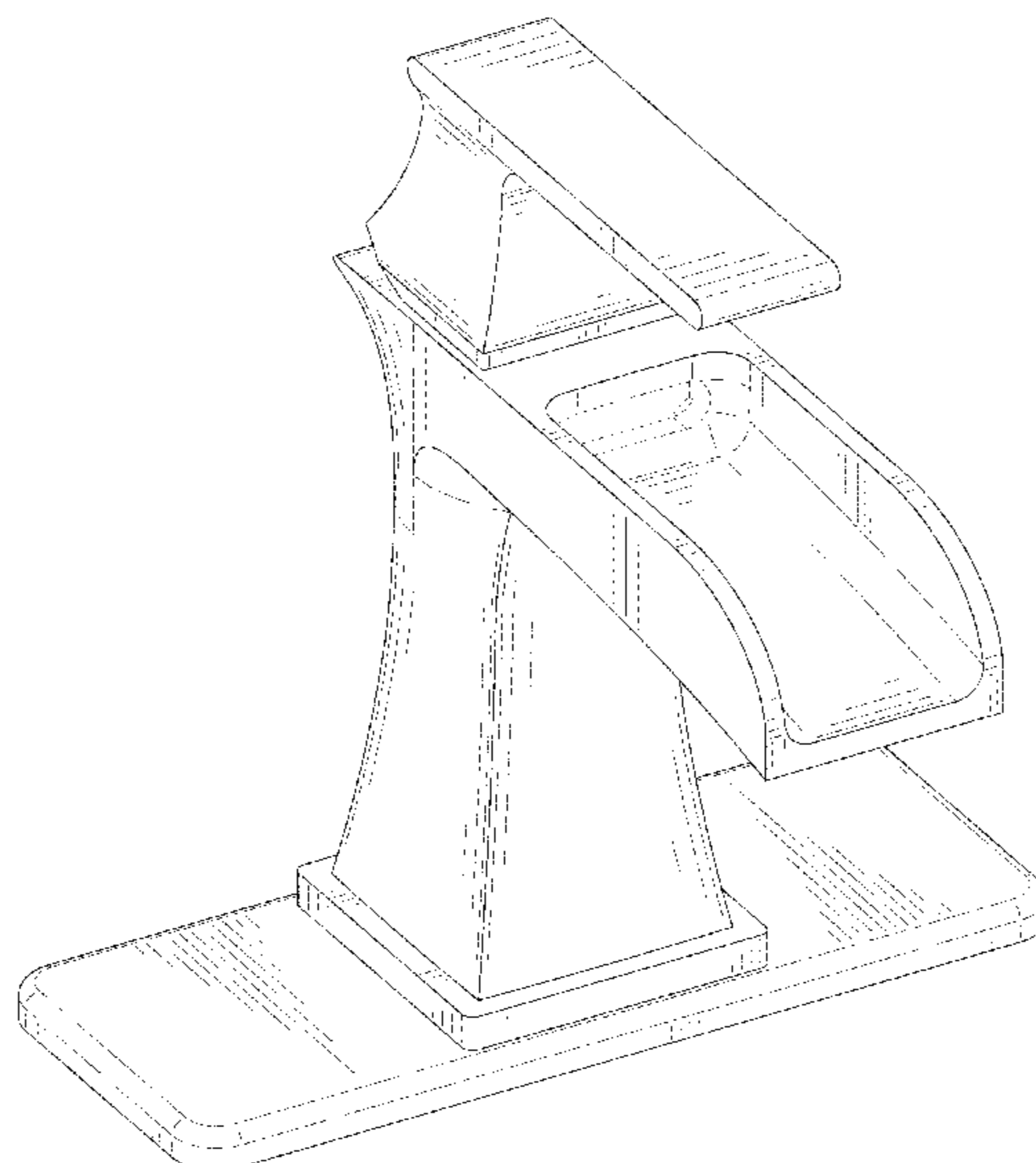
FIG. 14 is a right side elevational view thereof;

FIG. 15 is a top plan view thereof; and,

FIG. 16 is a bottom plan view thereof.

The broken lines in the drawings depict portions of the faucet kit that form no part of the claimed design.

1 Claim, 16 Drawing Sheets



(56)

References Cited

U.S. PATENT DOCUMENTS

D677,757 S * 3/2013 Lord D23/238
 D685,060 S * 6/2013 Yu D23/238
 D700,955 S * 3/2014 Schoenherr D23/238
 D723,138 S * 2/2015 Ke D23/238
 D811,527 S 2/2018 Fritz
 D827,106 S * 8/2018 Rexach D23/255
 D839,393 S * 1/2019 Schaubach D23/255
 D849,204 S * 5/2019 Feng D23/238
 D850,587 S * 6/2019 Chen D23/238
 D854,127 S * 7/2019 Schaubach D23/255
 D860,409 S * 9/2019 Chen D23/255
 D873,384 S * 1/2020 Guo D23/255
 D873,961 S 1/2020 Garland
 D912,213 S * 3/2021 Kuang D23/238
 D918,346 S * 5/2021 Zhang D23/255
 D919,769 S * 5/2021 Garland D23/255
 D956,183 S * 6/2022 Yan D23/238
 D959,611 S * 8/2022 Yang D23/238
 D963,131 S * 9/2022 Feng D23/255

D963,809 S * 9/2022 Feng D23/255
 D975,824 S * 1/2023 Feng D23/238
 D976,368 S * 1/2023 Feng D23/238

OTHER PUBLICATIONS

Amazon, BWE Vessel Sink Faucet Oil Rubbed Waterfall Faucet, posted Nov. 20, 2020, [online], [visited Feb. 17, 2023]. Internet, <URL: <https://www.amazon.co.uk/BWE-Assembly-Overflow-Lead-Free-Waterfall/dp/B08M64ZW3N/ref?th=1>> (Year: 2020).*

Amazon, BWE Single Hole Bathroom Faucet Waterfall, posted May 1, 2022, [online], [visited Feb. 17, 2023]. Internet, <URL: <https://www.amazon.co.uk/BWE-Bathroom-Waterfall-Lead-Free-Lavatory/dp/B09L41M81B/ref>> (Year: 2022).*

Amazon, Senlesen Matte Black Waterfall Spout, posted Apr. 21, 2021, [online], [visited Feb. 17, 2023]. Internet, <URL: <https://www.amazon.co.uk/Senlesen-Waterfall-Bathroom-Without-Overflow/dp/B0932RG4F8/ref>> (Year: 2021).*

Amazon, BWE Matte Black Waterfall Faucet, posted Nov. 27, 2019, [online], [visited Feb. 17, 2023]. Internet, <URL: <https://www.amazon.co.uk/BWE-Bathroom-Waterfall-Commercial-Lavatory/dp/B0822GH72N/ref>> (Year: 2019).*

* cited by examiner

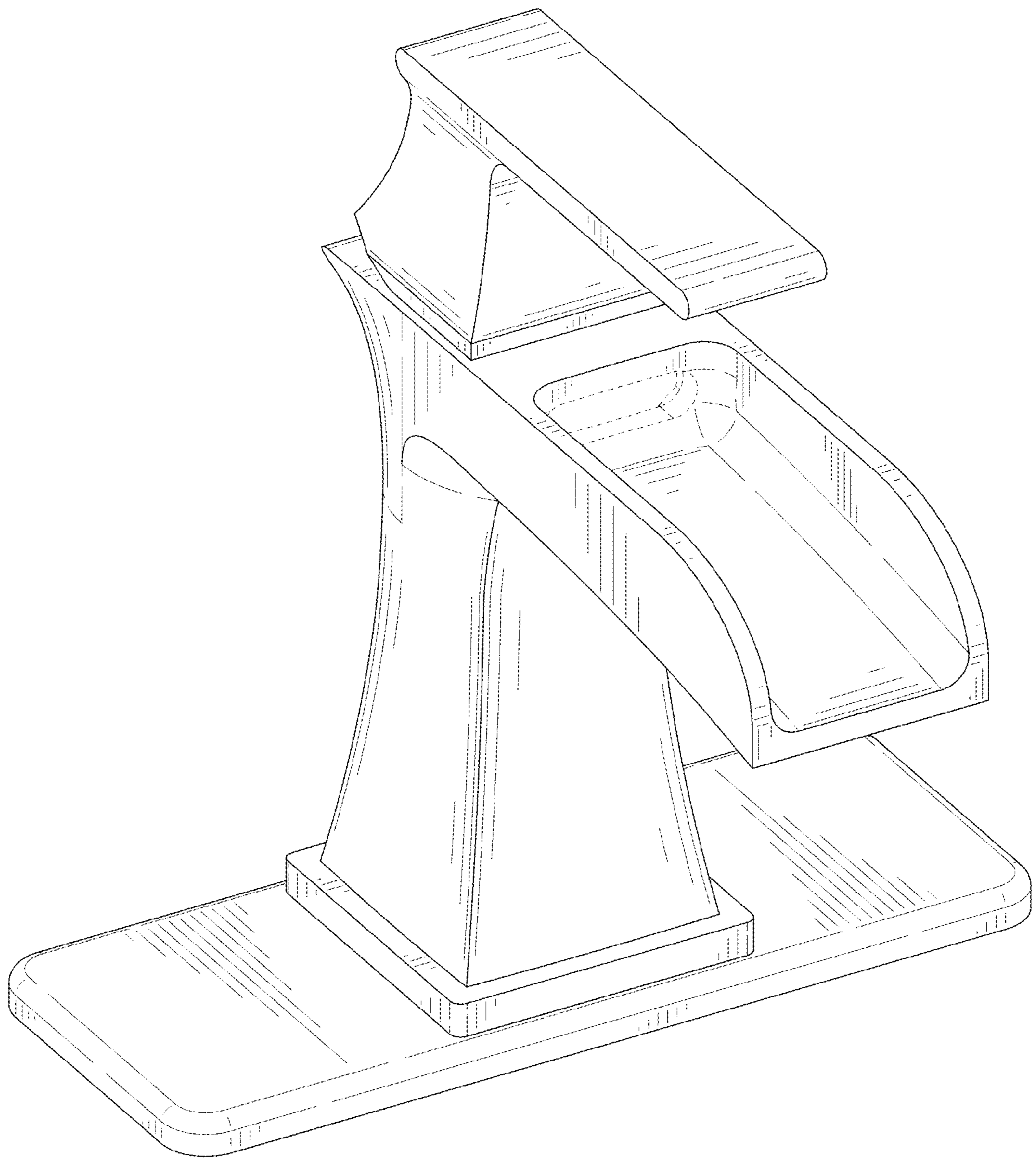


FIG. 1

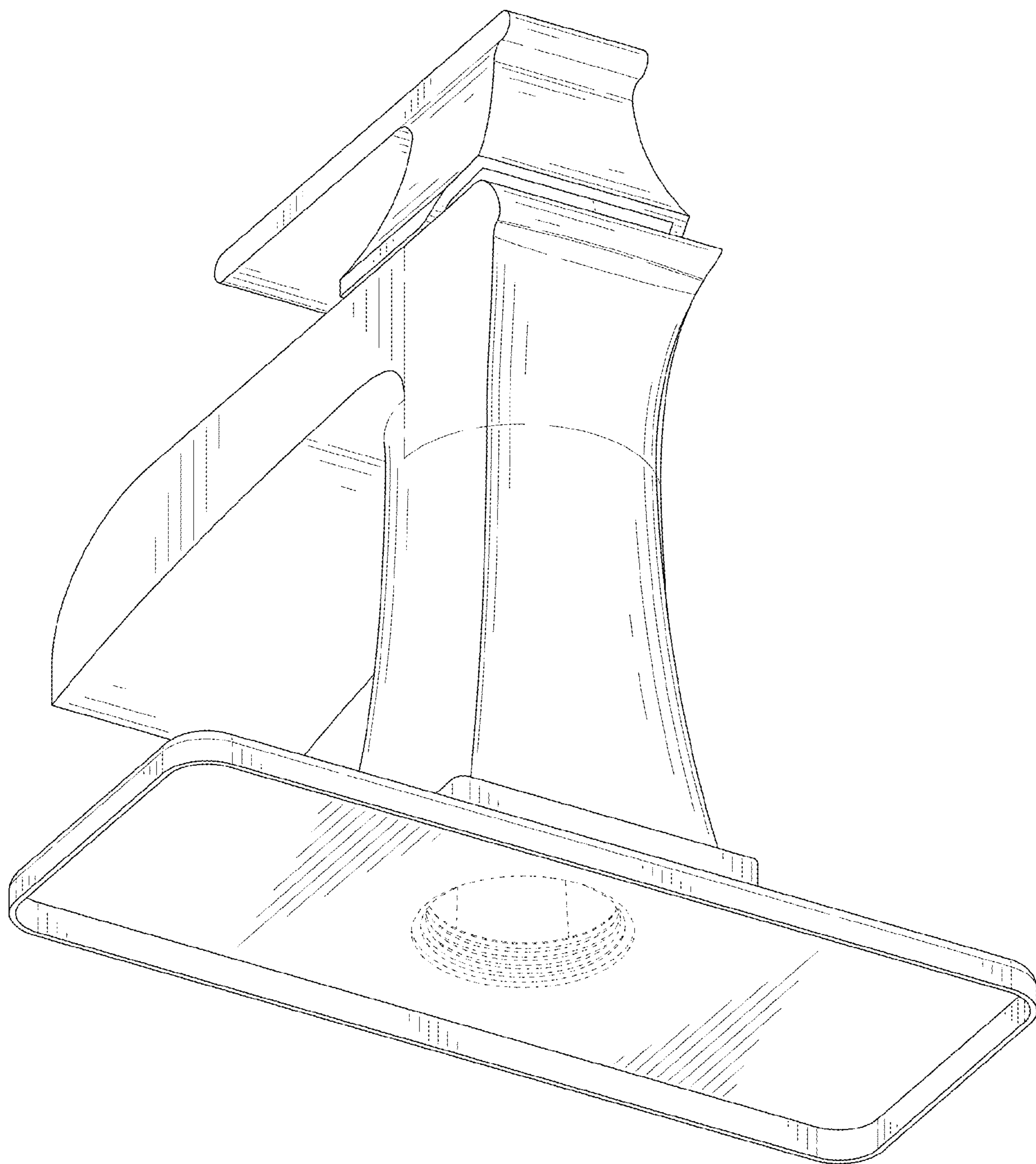


FIG. 2

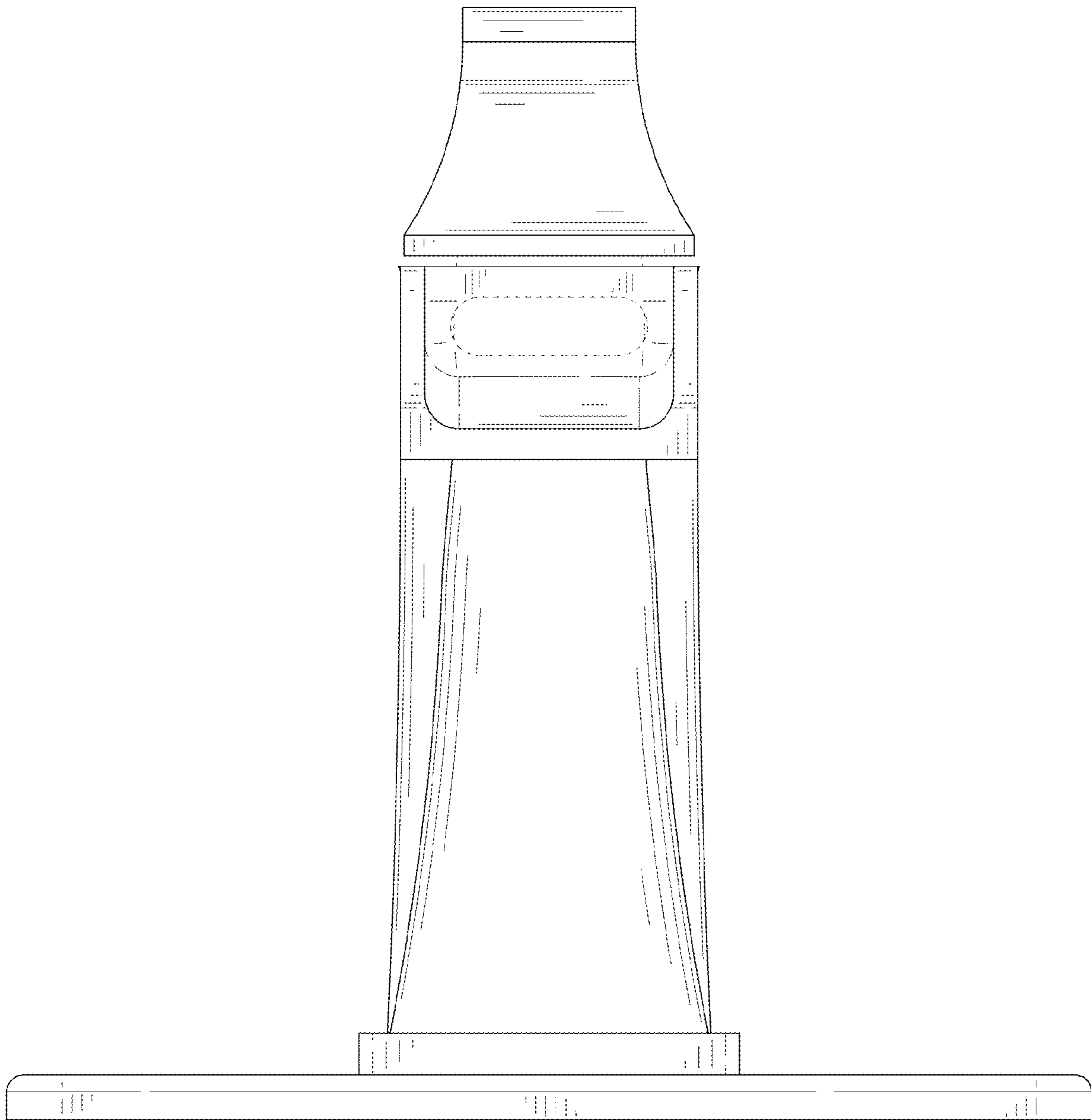


FIG. 3

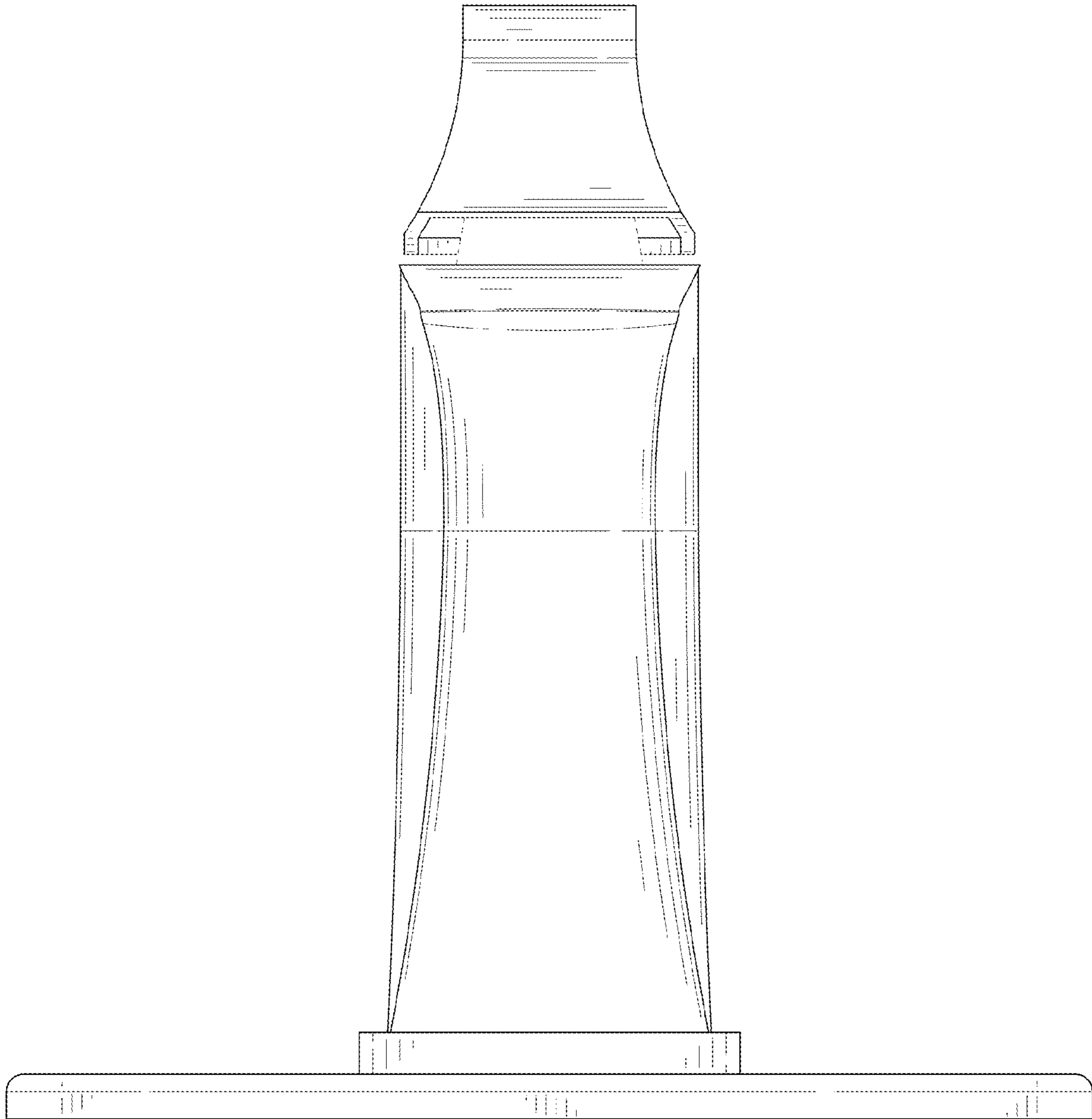


FIG. 4

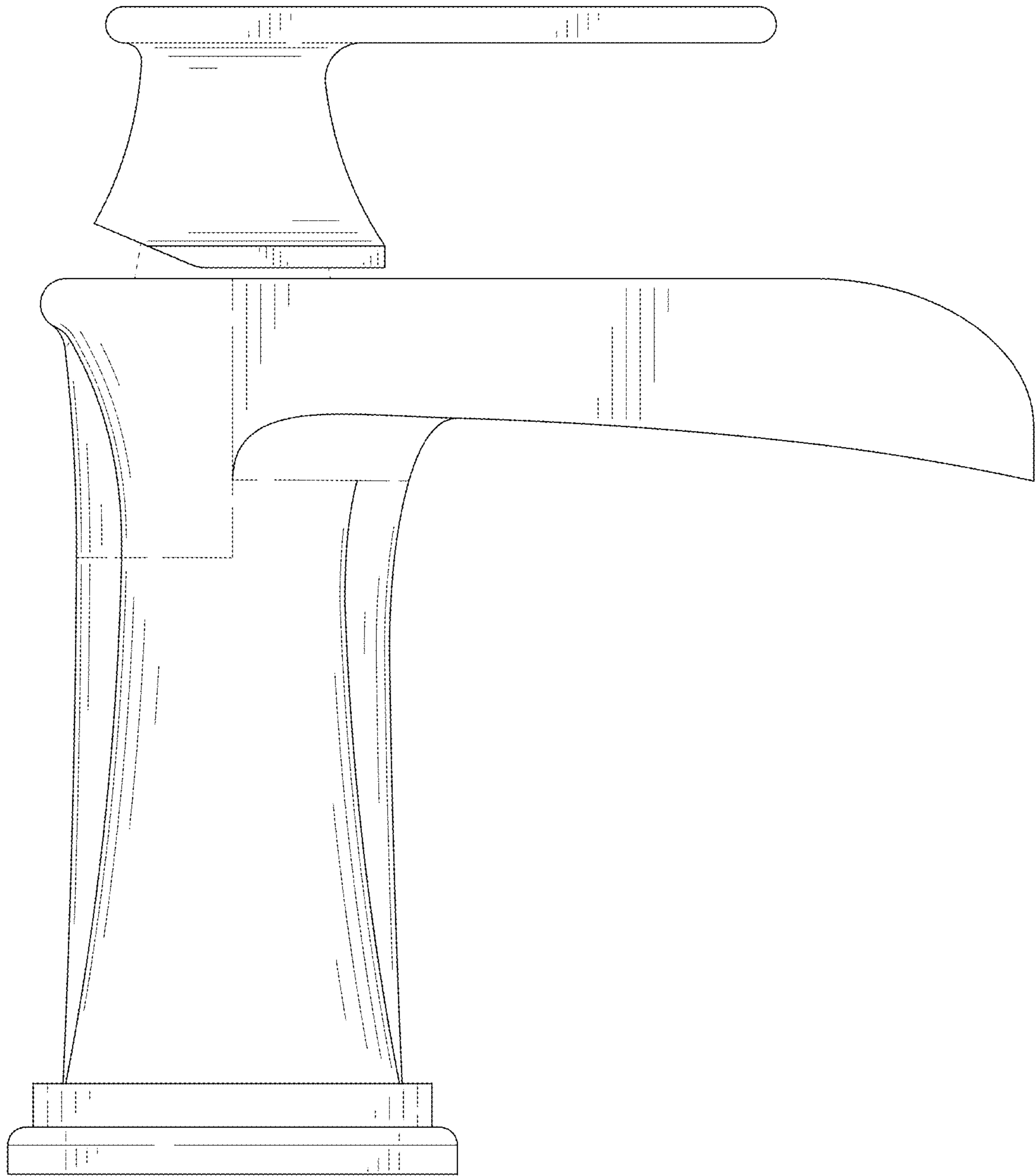


FIG. 5

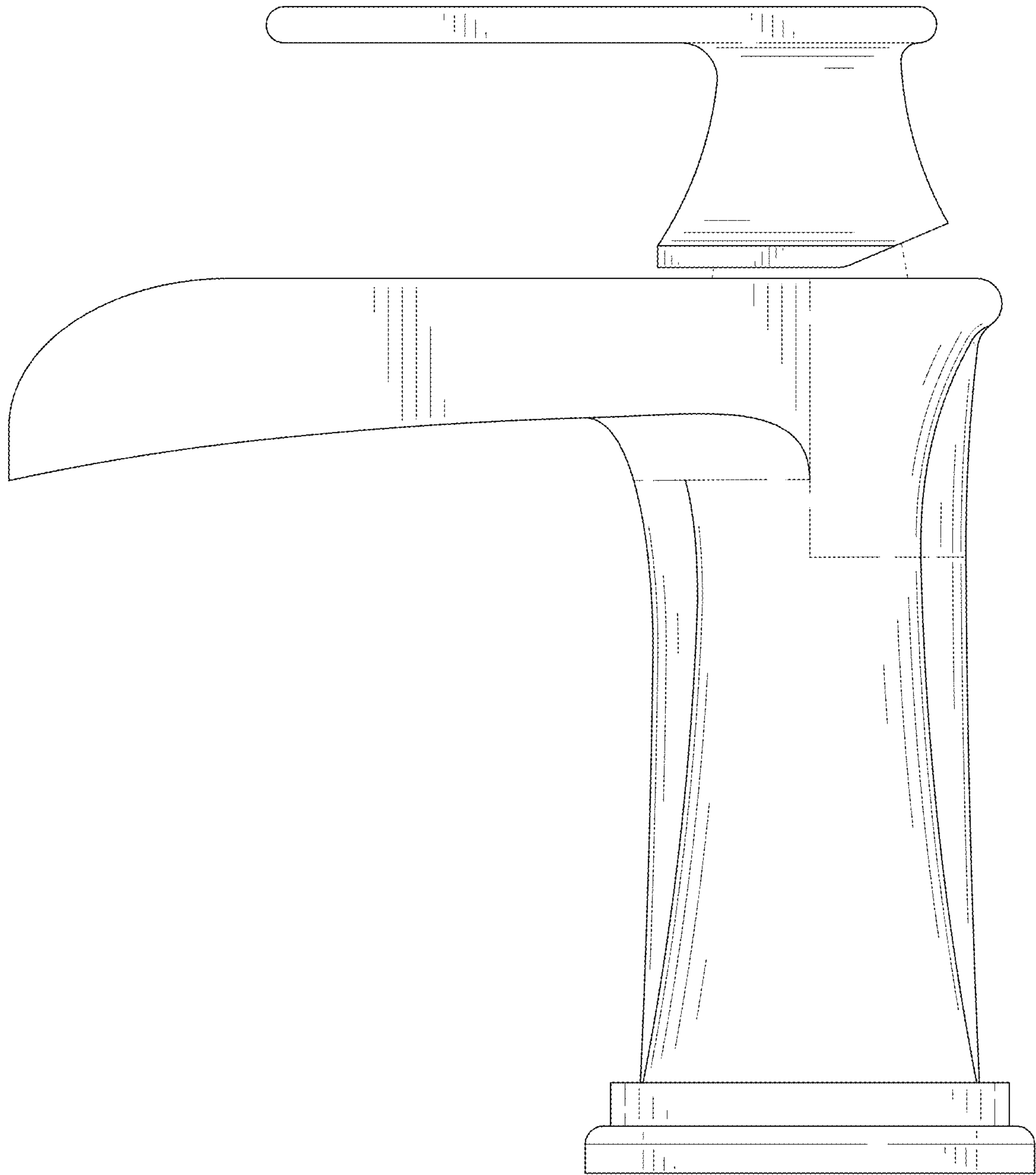


FIG. 6

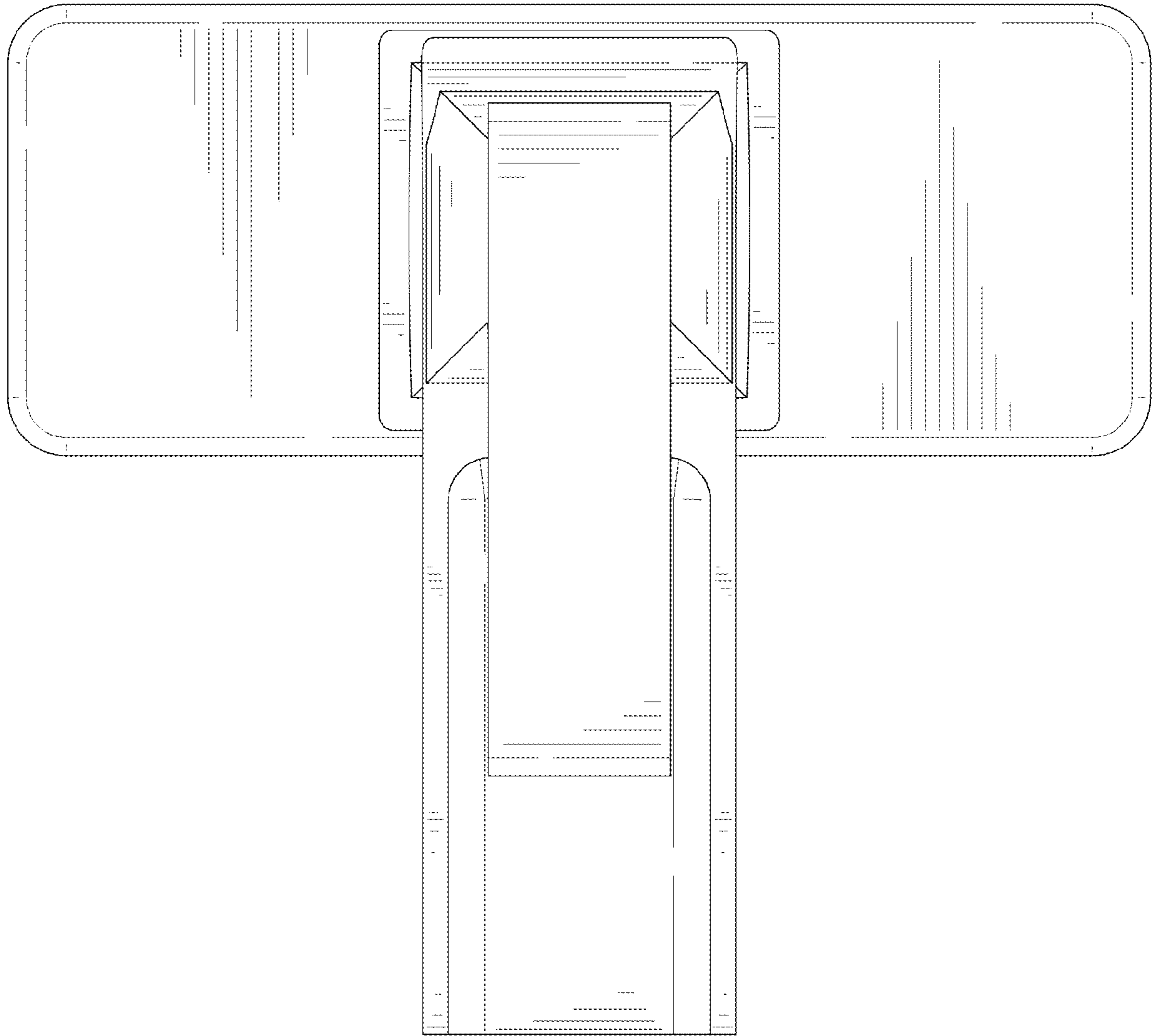


FIG. 7

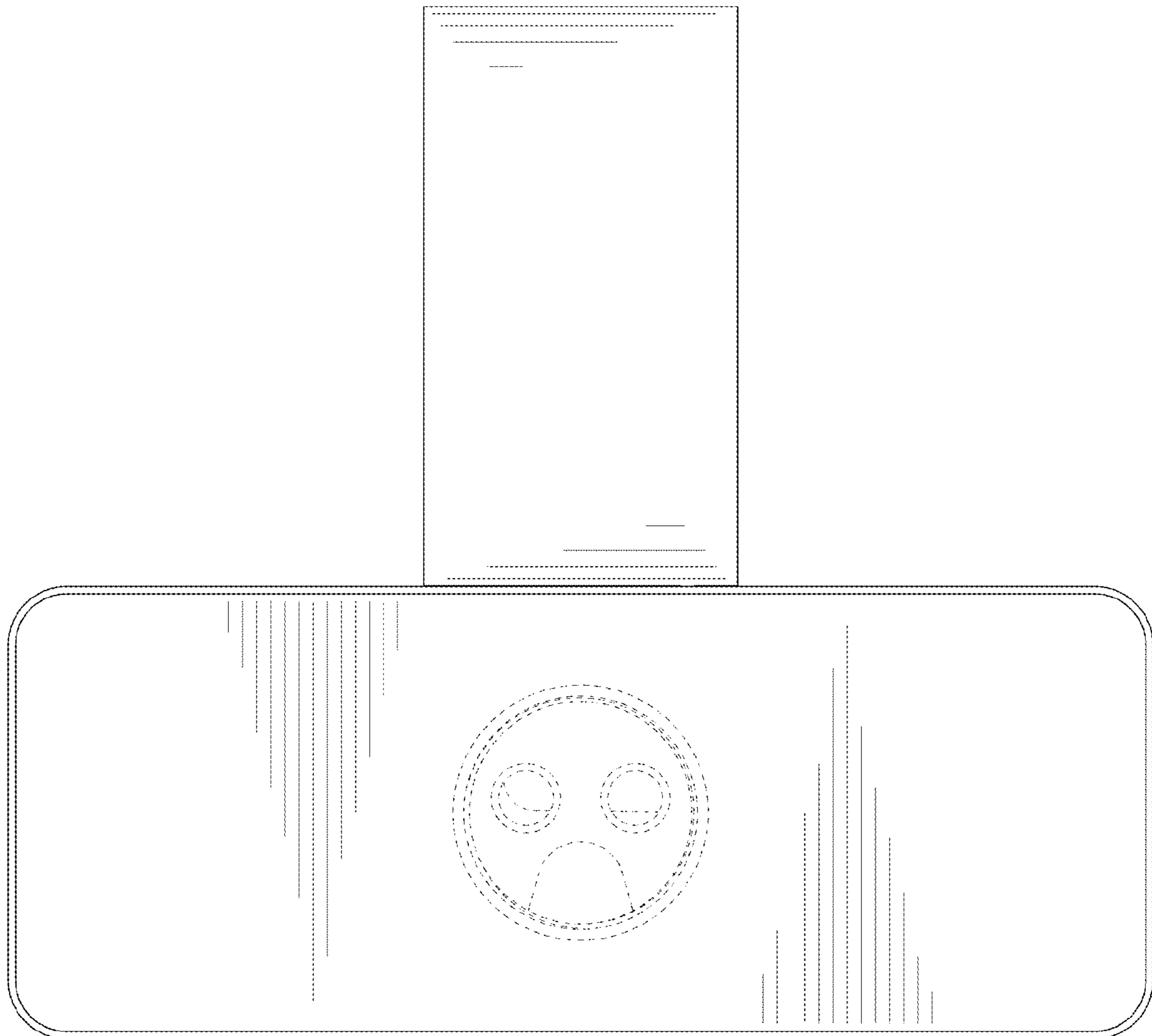


FIG. 8

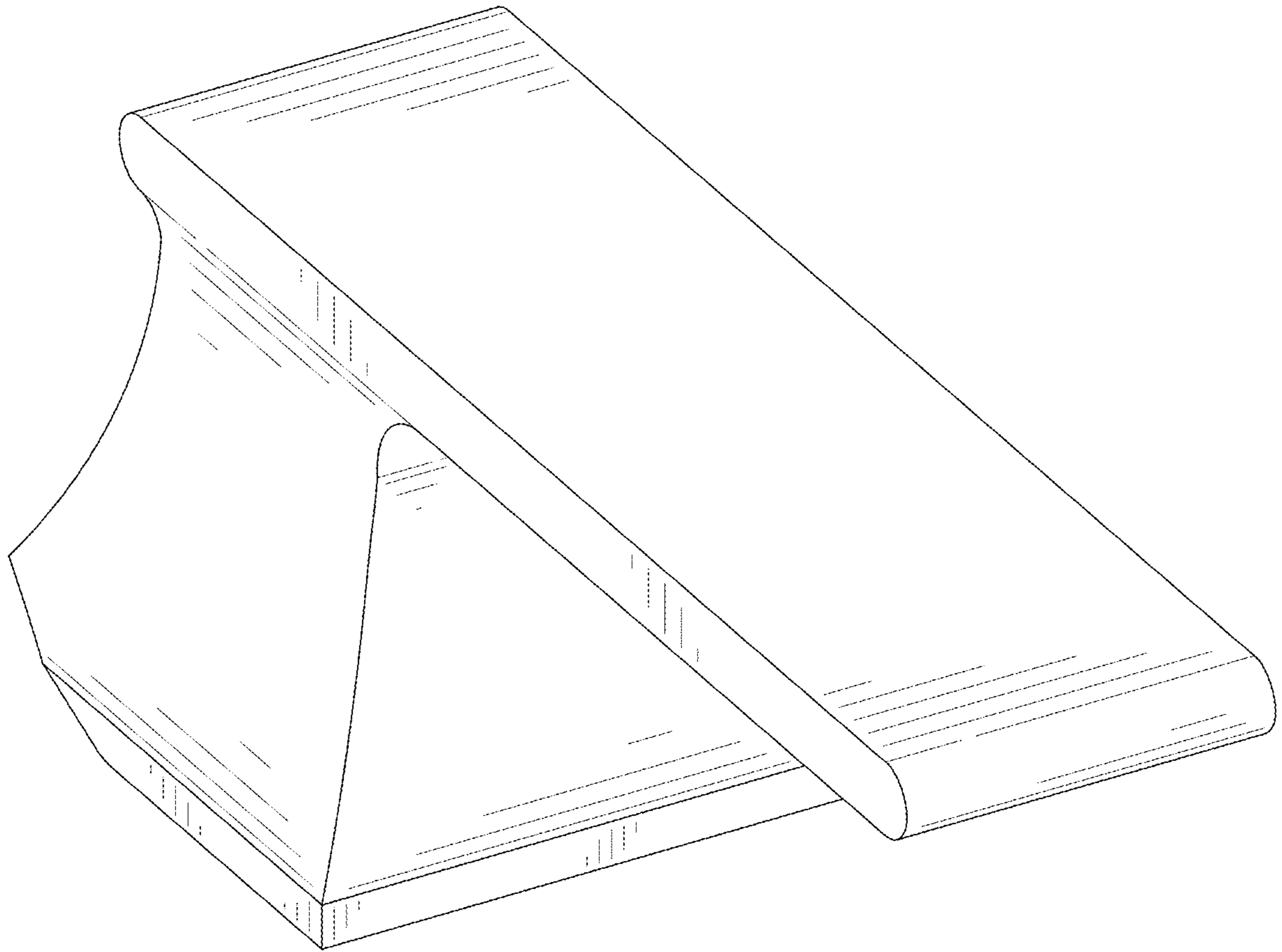


FIG. 9

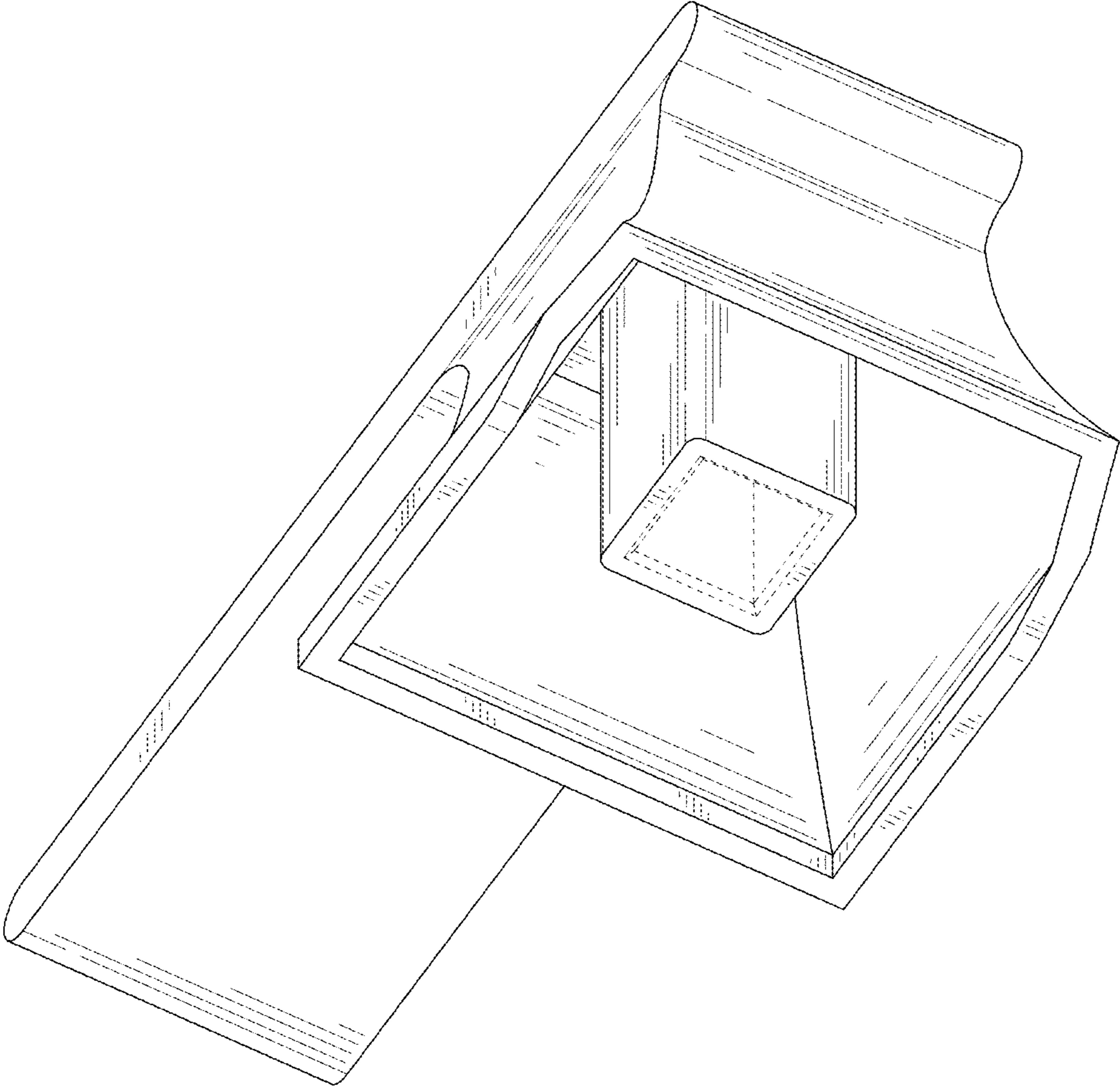


FIG. 10

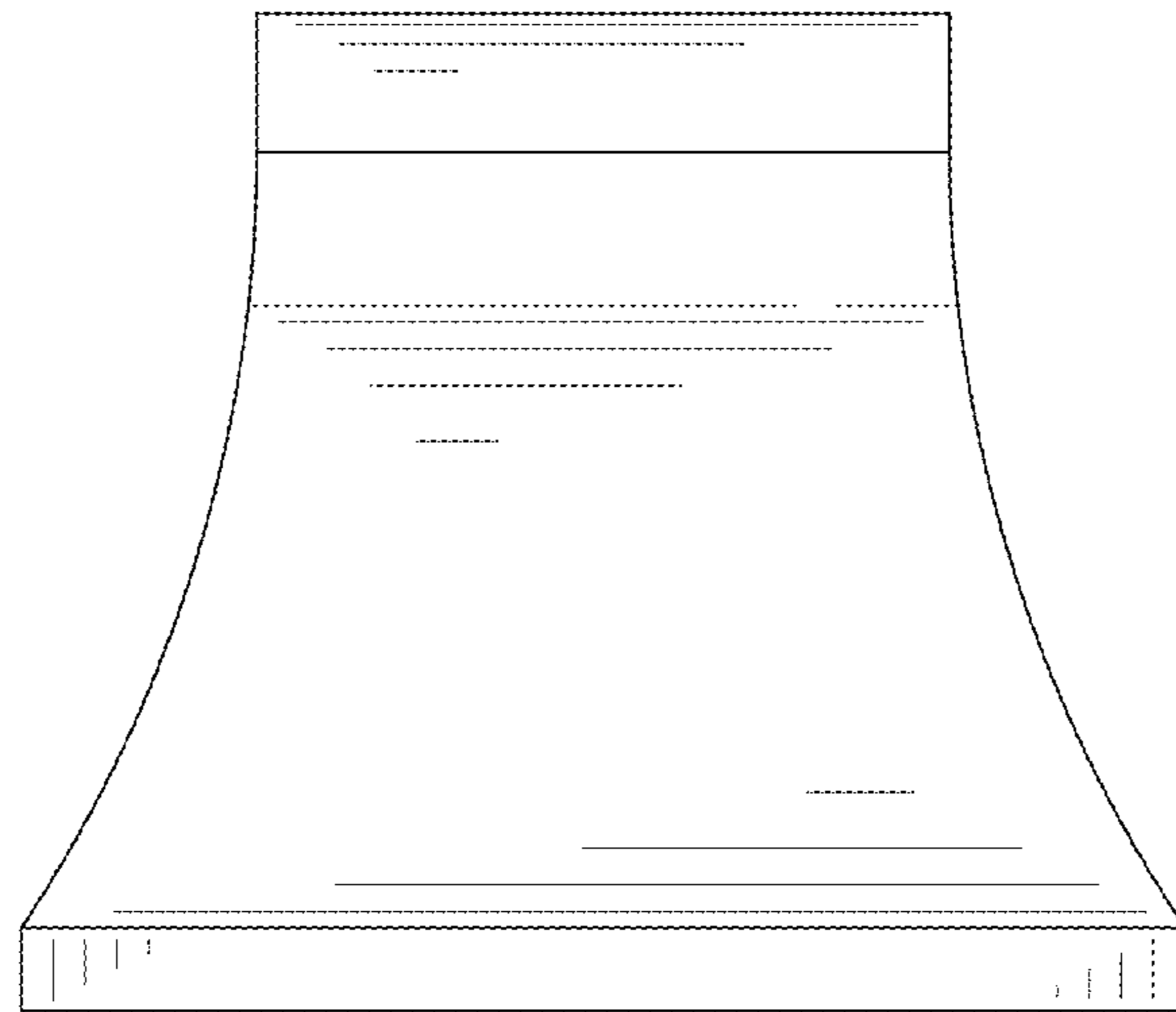


FIG. 11

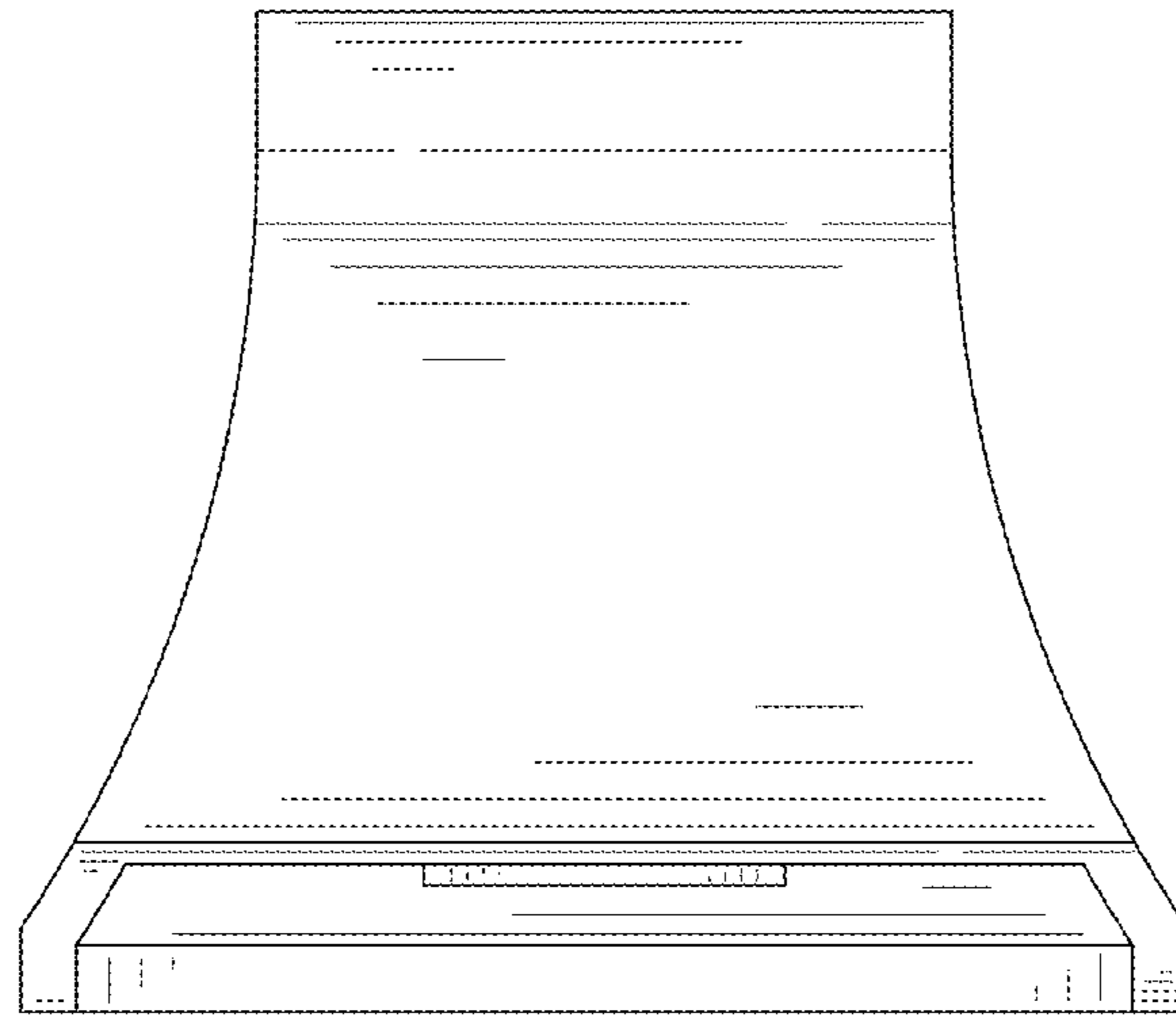


FIG. 12

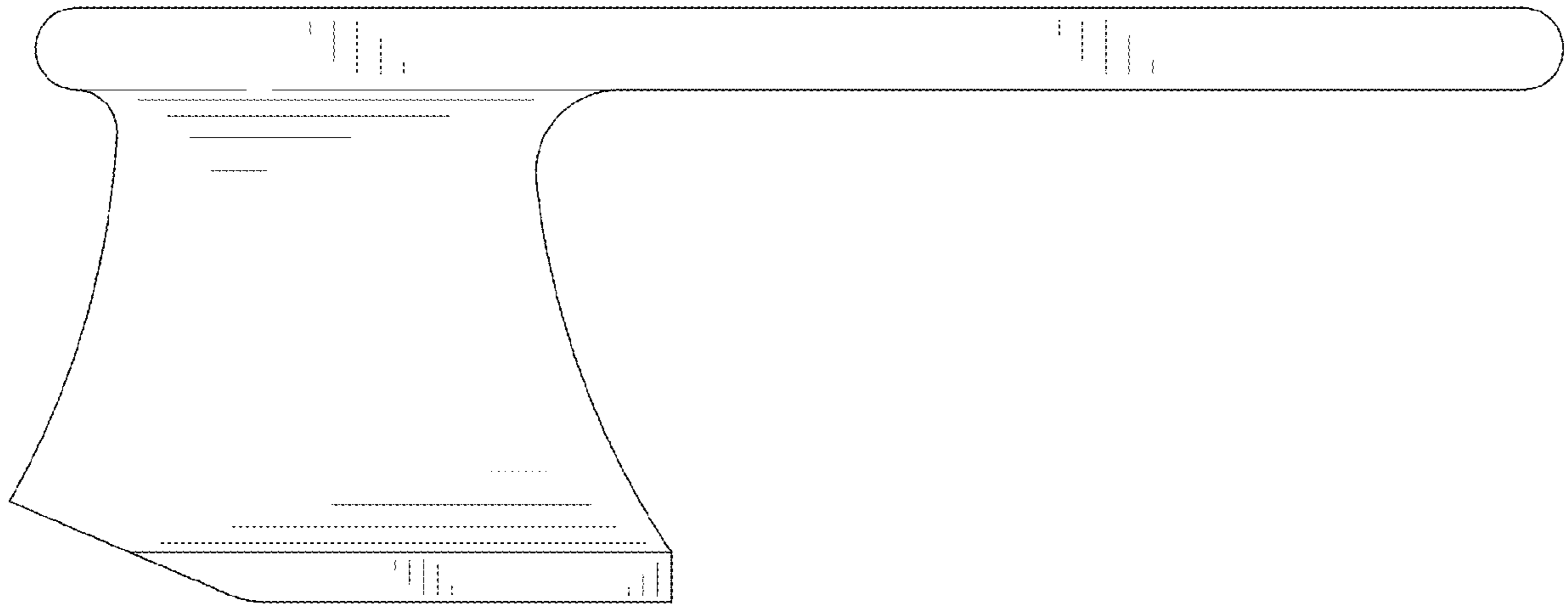


FIG. 13

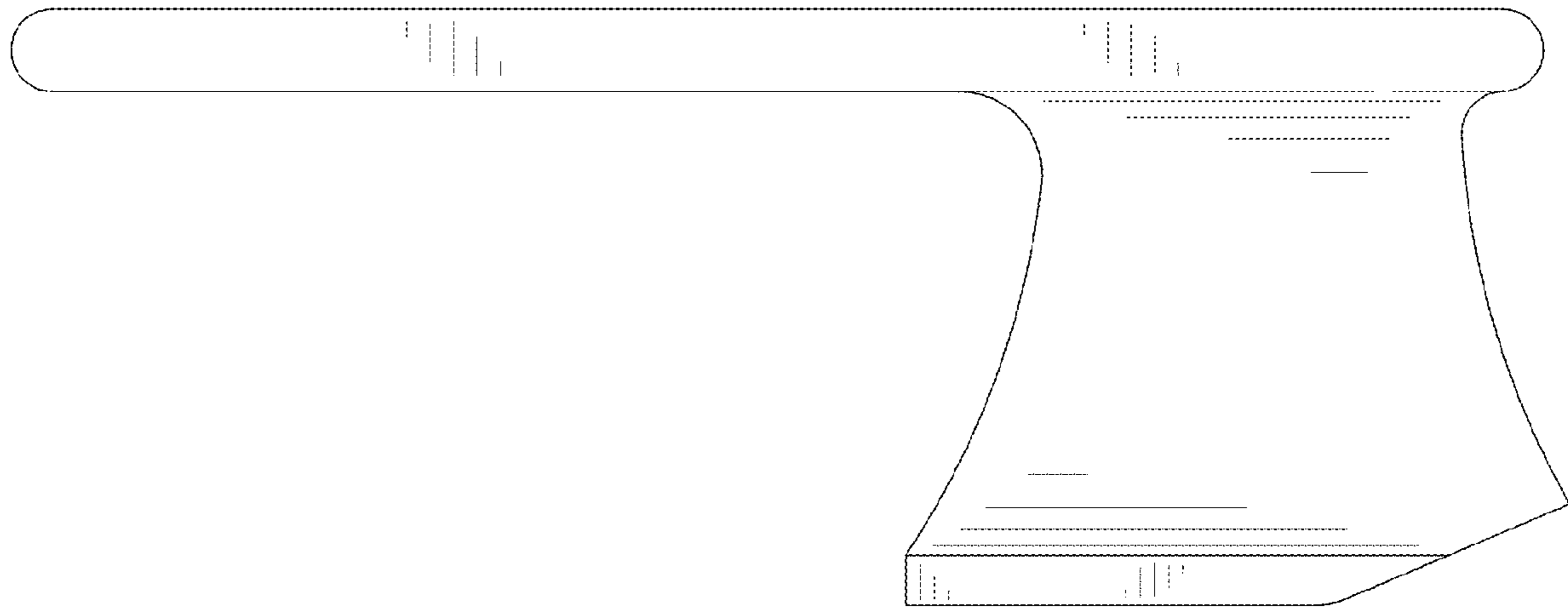


FIG. 14

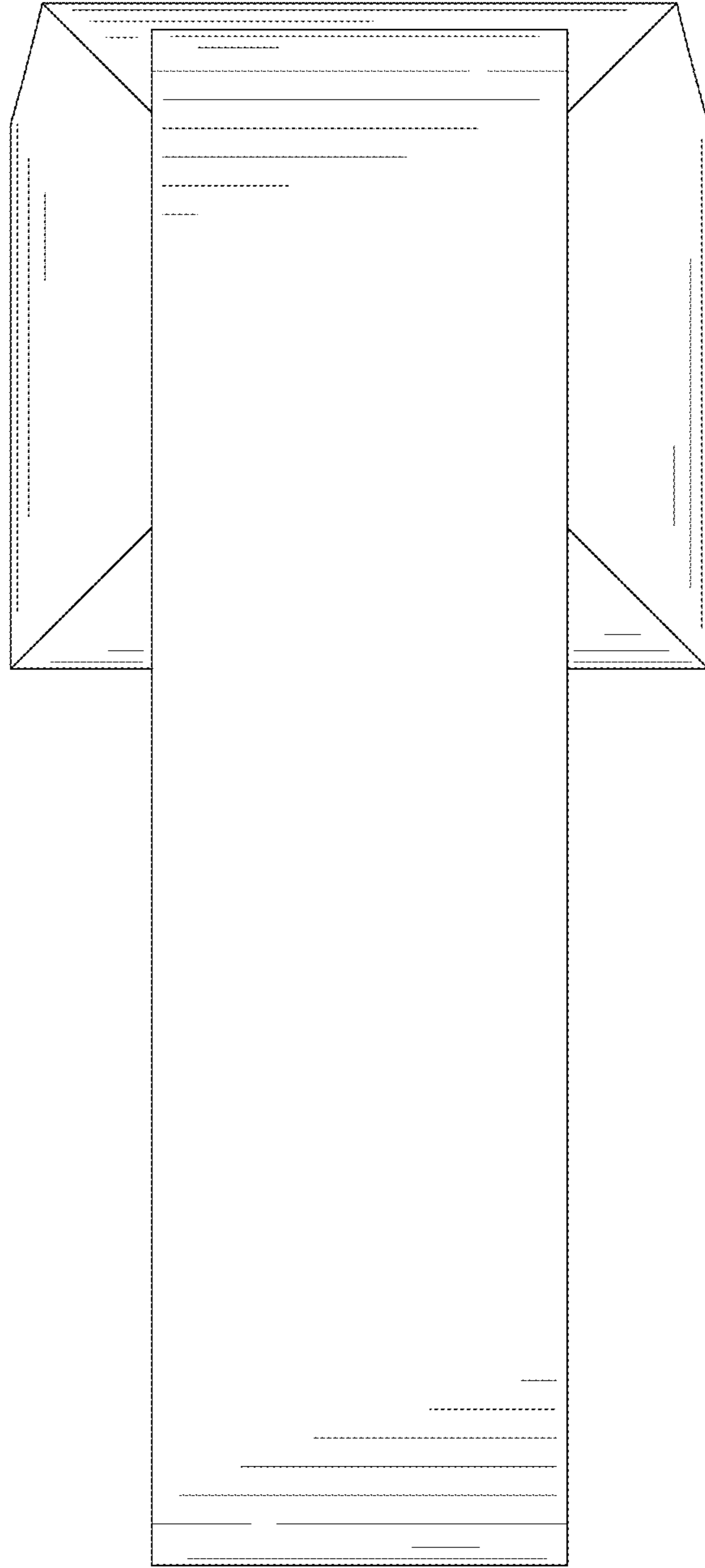


FIG. 15

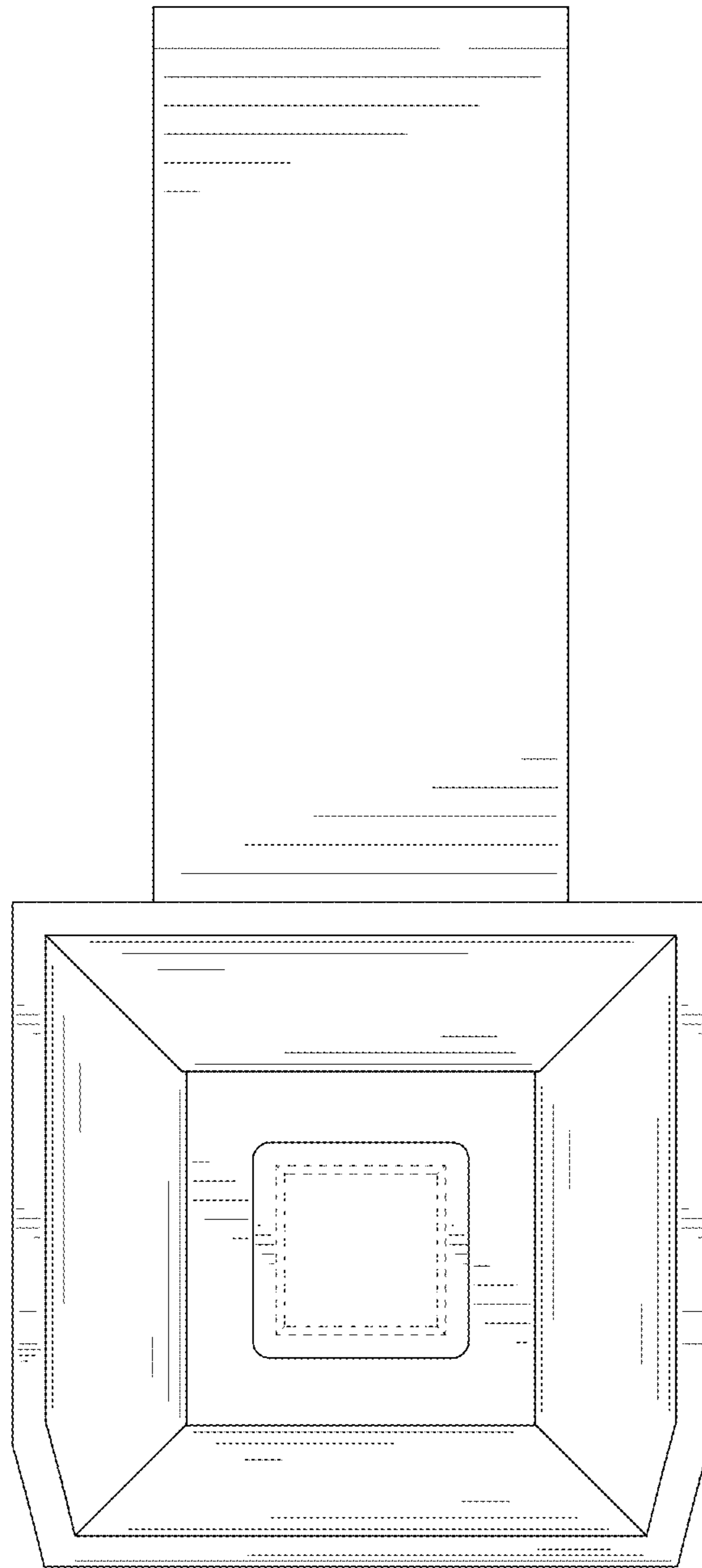


FIG. 16