



US00D983324S

(12) **United States Design Patent**  
**Zhou**

(10) **Patent No.:** **US D983,324 S**  
(45) **Date of Patent:** **\*\* Apr. 11, 2023**

(54) **GAS REGULATOR FITTING ASSEMBLY**

(71) Applicant: **Dongsheng Zhou**, Cupertino, CA (US)

(72) Inventor: **Dongsheng Zhou**, Cupertino, CA (US)

(\*\*) Term: **15 Years**

(21) Appl. No.: **29/782,744**

(22) Filed: **May 8, 2021**

(51) **LOC (14) Cl.** ..... **23-01**

(52) **U.S. Cl.**  
USPC ..... **D23/233; D23/259**

(58) **Field of Classification Search**  
USPC ..... D23/213, 233–241, 244, 245, 246–249,  
D23/321, 421; D15/7; D24/129  
CPC ..... F16K 1/00; F16K 3/00; F16K 5/00; F16K  
7/00; F16K 11/00; F16K 13/00; F16K  
15/00; F16K 17/00; F16K 21/00  
See application file for complete search history.

(56) **References Cited**

**U.S. PATENT DOCUMENTS**

D181,319 S *	10/1957	Schutmaat	.....	D23/235
D186,925 S *	12/1959	Zdara et al.	.....	D23/235
D362,297 S *	9/1995	Lee	.....	D23/235
D362,488 S *	9/1995	Lee	.....	D23/235
D362,712 S *	9/1995	Lee	.....	D23/235
D379,845 S *	6/1997	Lee	.....	D23/235
D403,050 S *	12/1998	Schlick	.....	D23/235
D453,206 S *	1/2002	Hsiao	.....	D23/235
D622,351 S *	8/2010	Foster	.....	D23/233

D634,813 S *	3/2011	Hernandez, IV	.....	D23/233
D675,714 S *	2/2013	Nguyen	.....	F24H 1/186 D23/233
D886,951 S *	6/2020	Peterson	.....	D23/233

**OTHER PUBLICATIONS**

Mr Heater Propane Low Pressure Regulator, available in Amazon.com, date first available Apr. 15, 2008 [online], [site visited Oct. 26, 2022], Available from the internet URL: <https://www.amazon.ca/Heater-Propane-Low-Pressue-Regulator/dp/B000BQUQEI?th=1> (Year: 2008).\*

\* cited by examiner

*Primary Examiner* — Amy C Wierenga  
*Assistant Examiner* — Kathryn Elizabeth Zieno

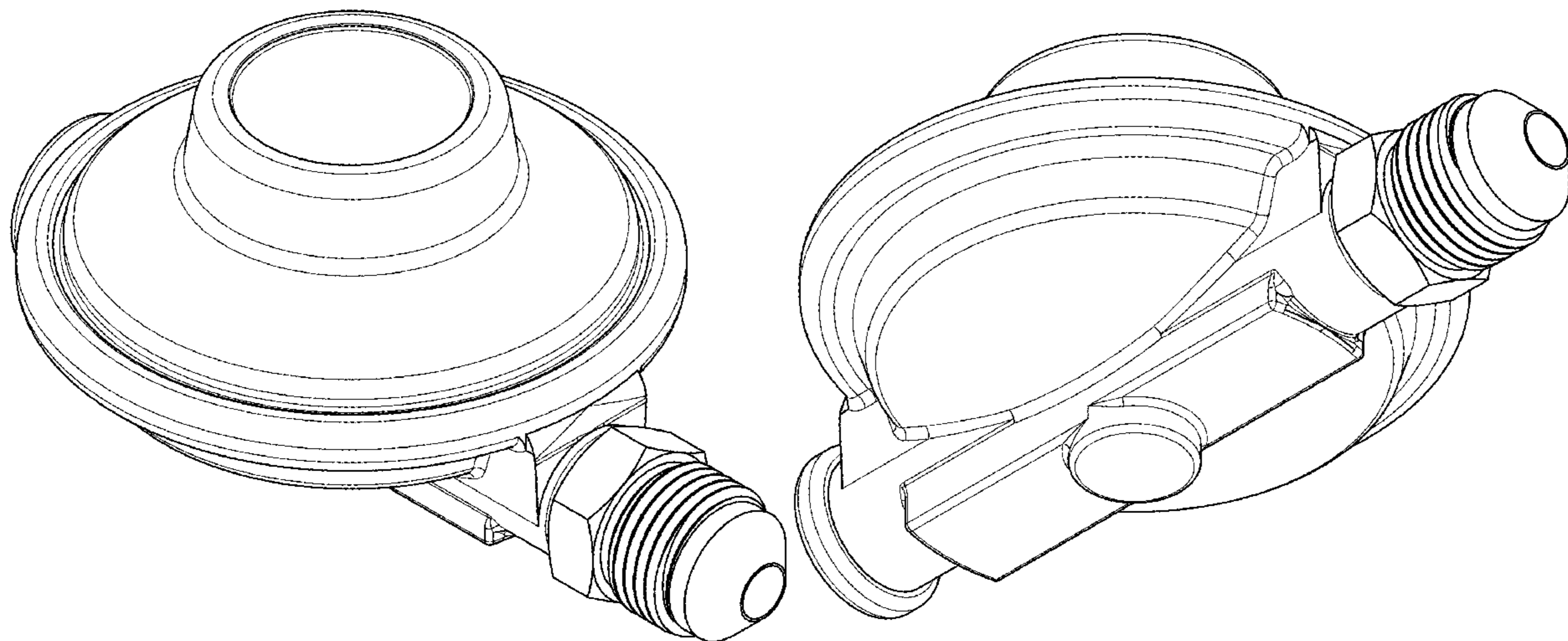
(57) **CLAIM**

The ornamental design for a gas regulator fitting assembly, as shown.

**DESCRIPTION**

FIG. 1 is a top perspective view of a gas regulator fitting assembly showing my new design; FIG. 2 is a bottom perspective view thereof; FIG. 3 is a front plan view thereof; FIG. 4 is a top plan view thereof; FIG. 5 is a bottom plan view thereof; FIG. 6 is a rear plan view thereof; FIG. 7 is a side elevation view thereof; and, FIG. 8 is a side elevation view of the opposite side of FIG. 7.  
The broken lines shown in the drawings depict portions of the gas regulator fitting assembly that form no part of the claim.

**1 Claim, 8 Drawing Sheets**



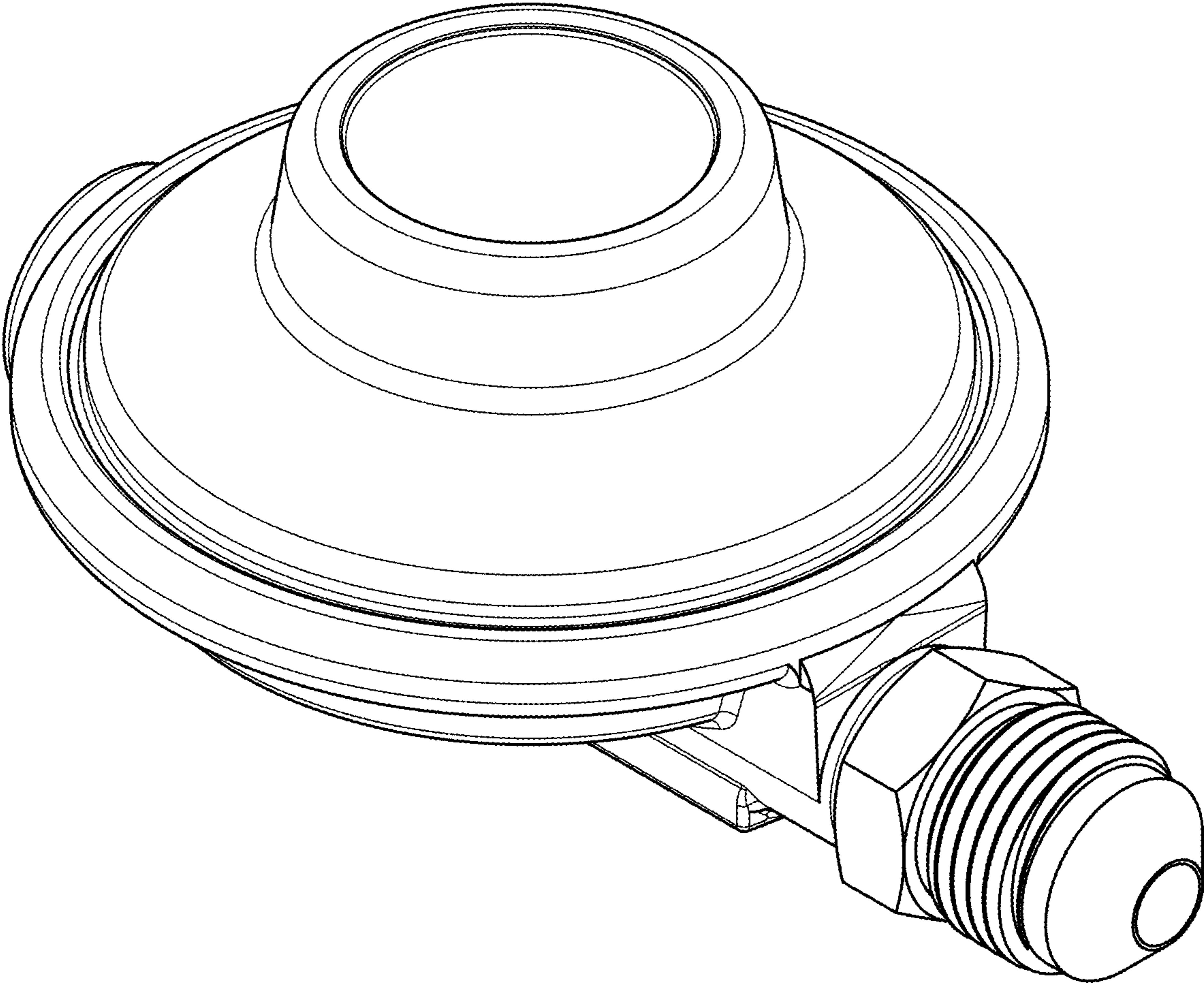


FIG 1

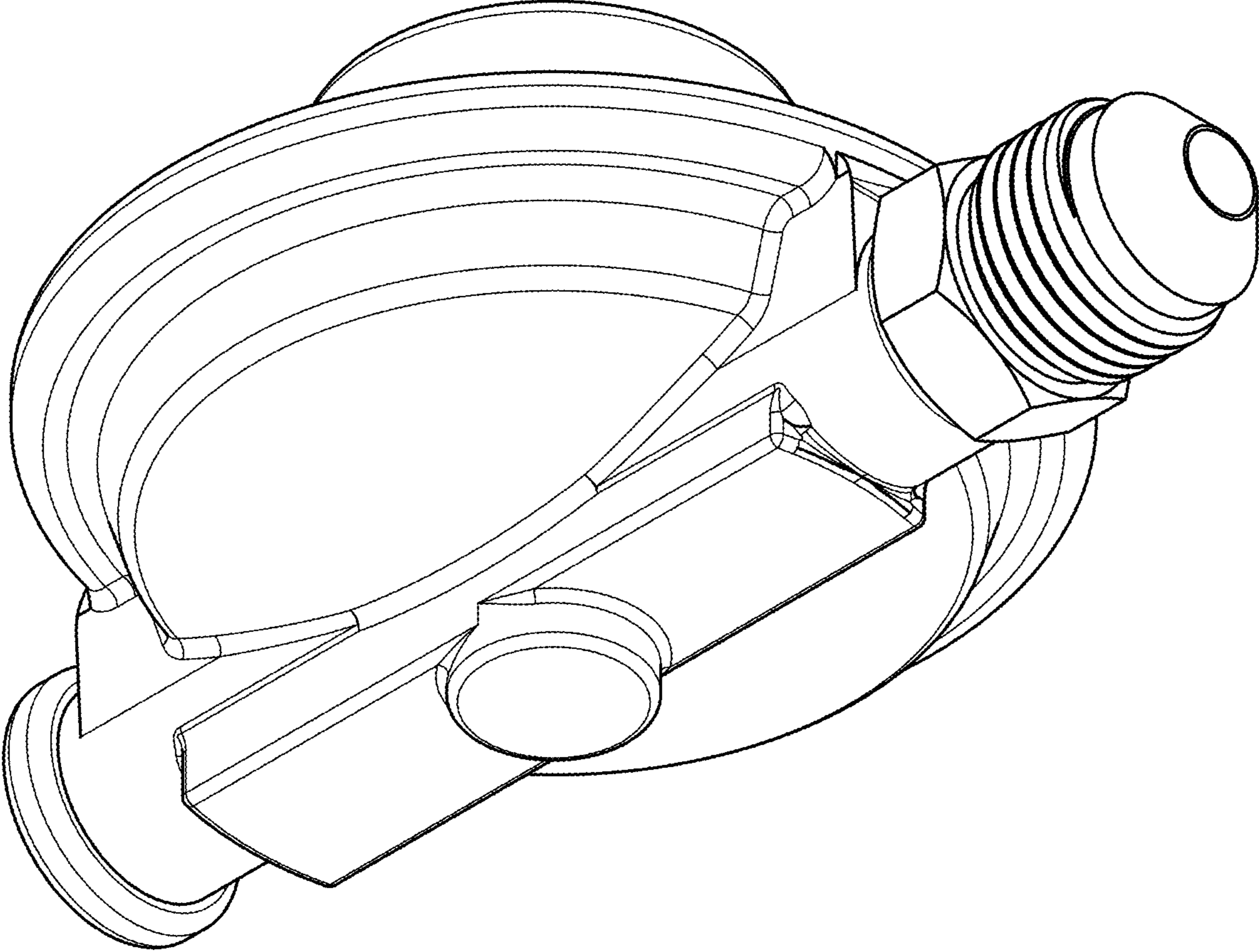


FIG 2

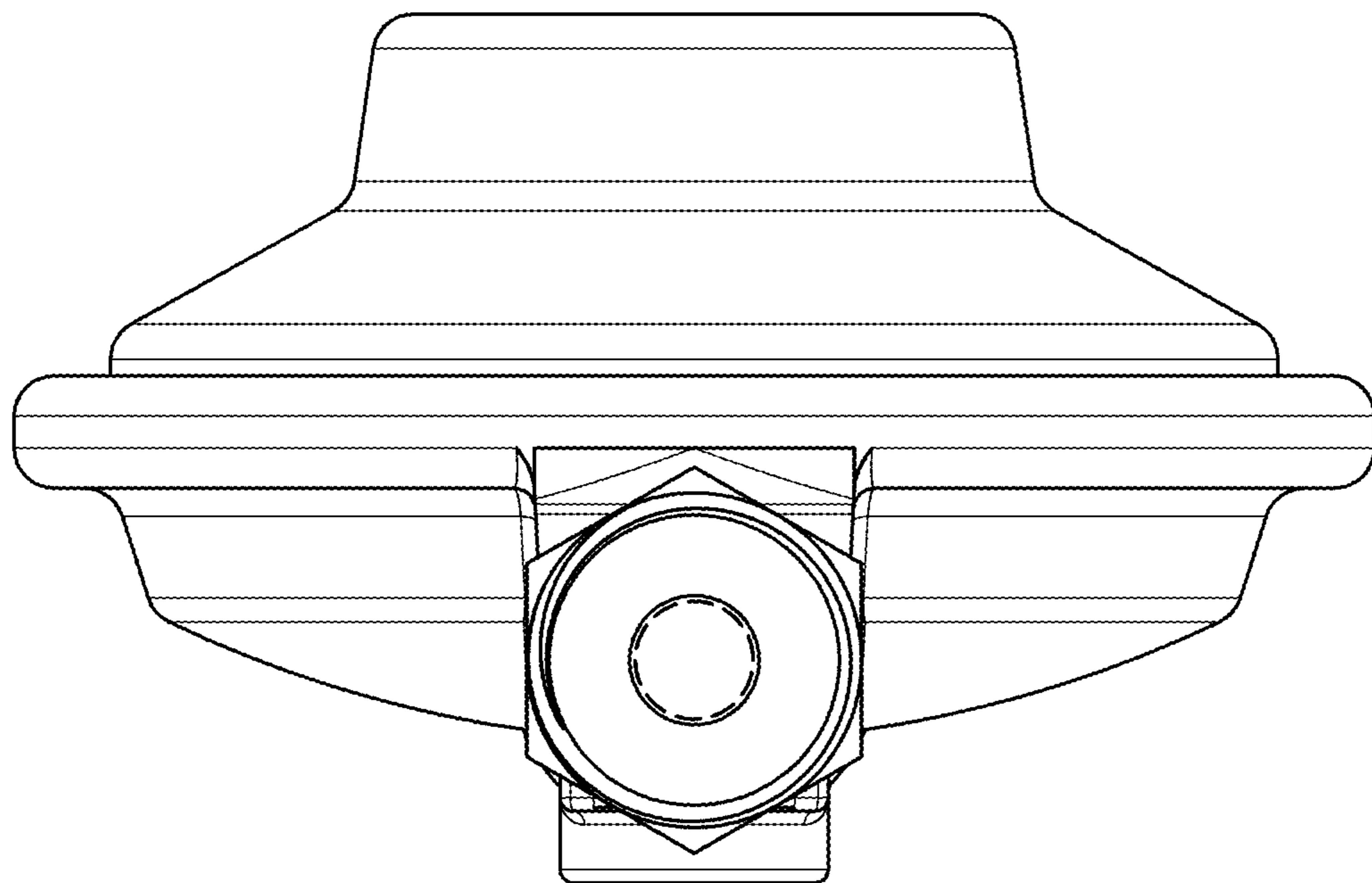


FIG 3

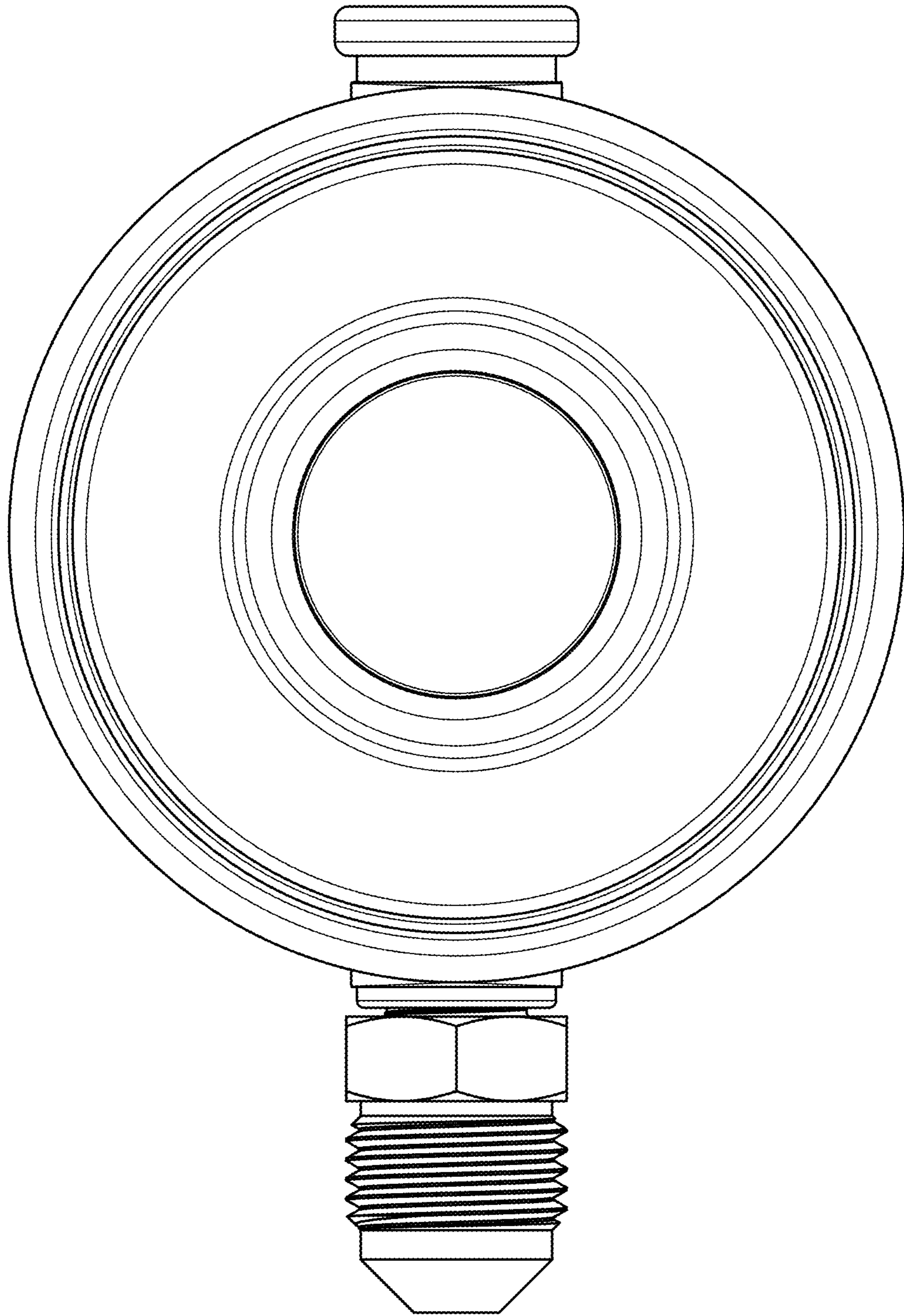


FIG 4

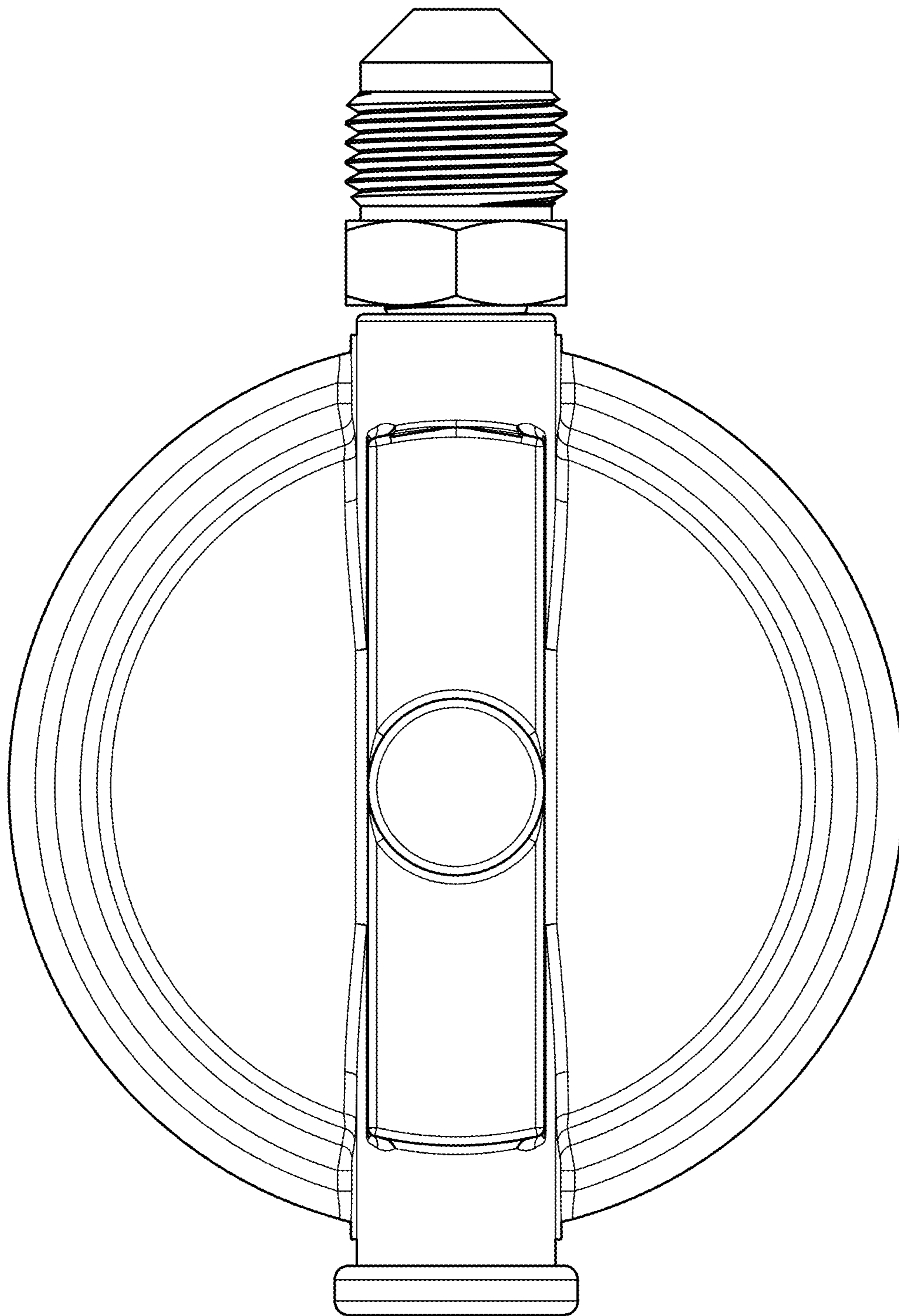


FIG 5

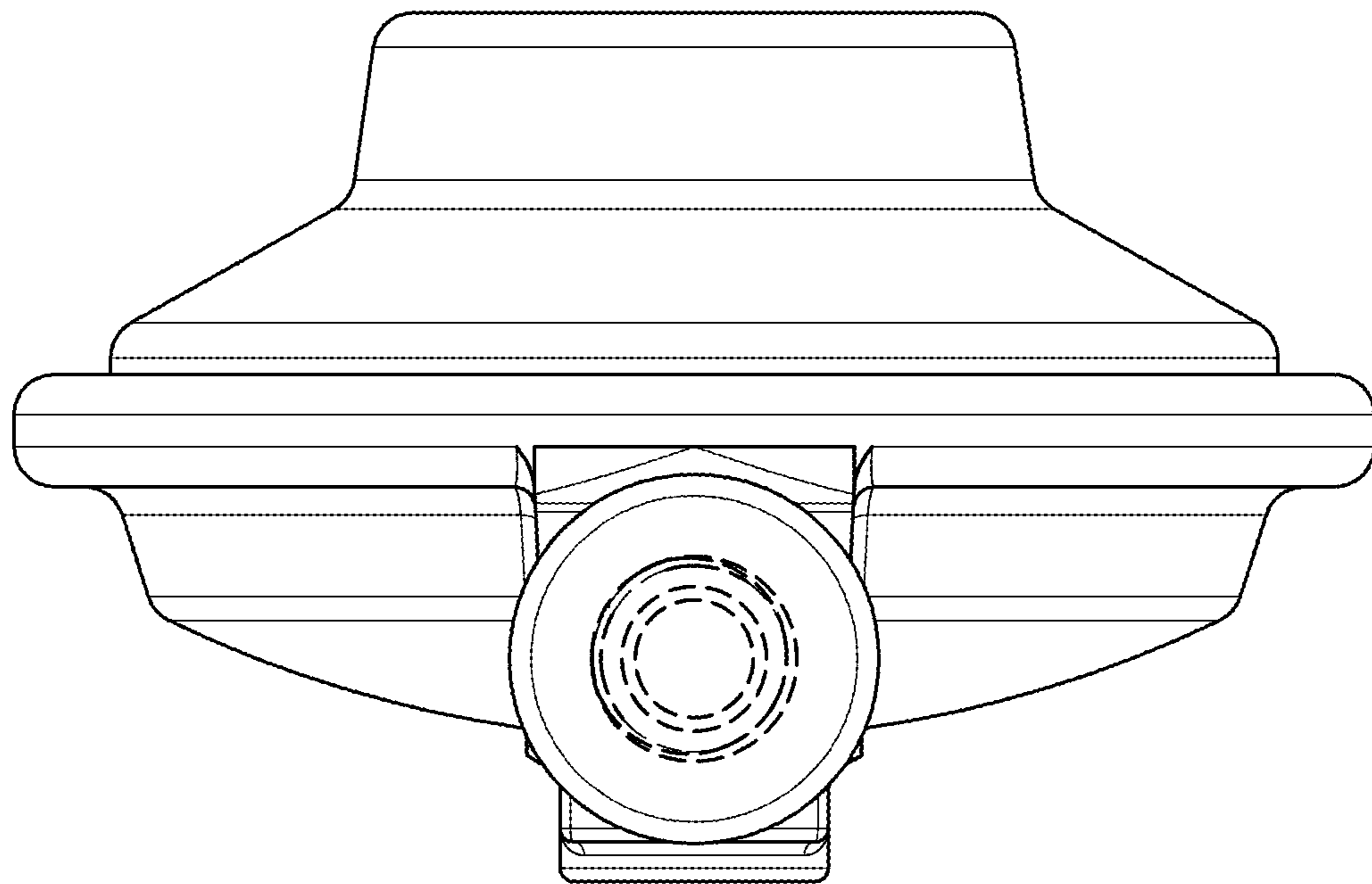


FIG 6

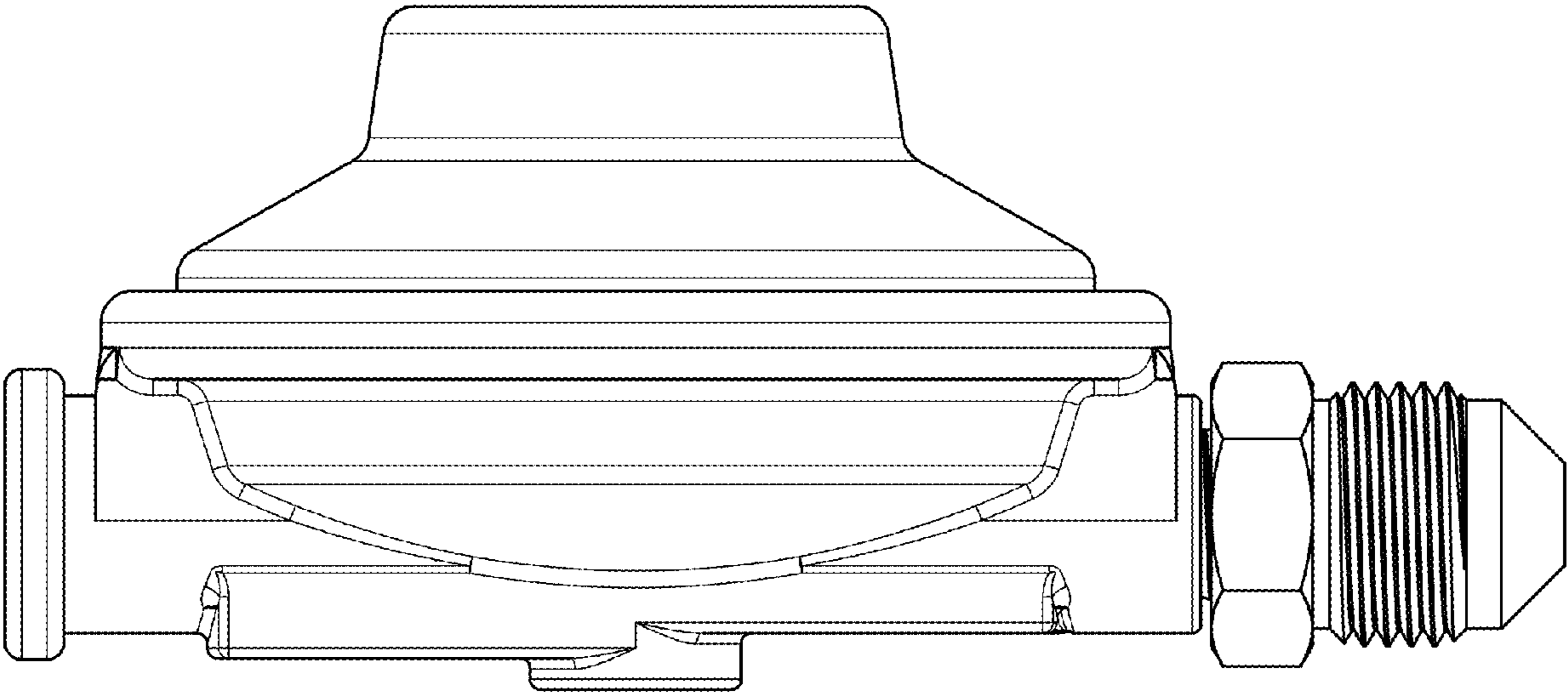


FIG 7



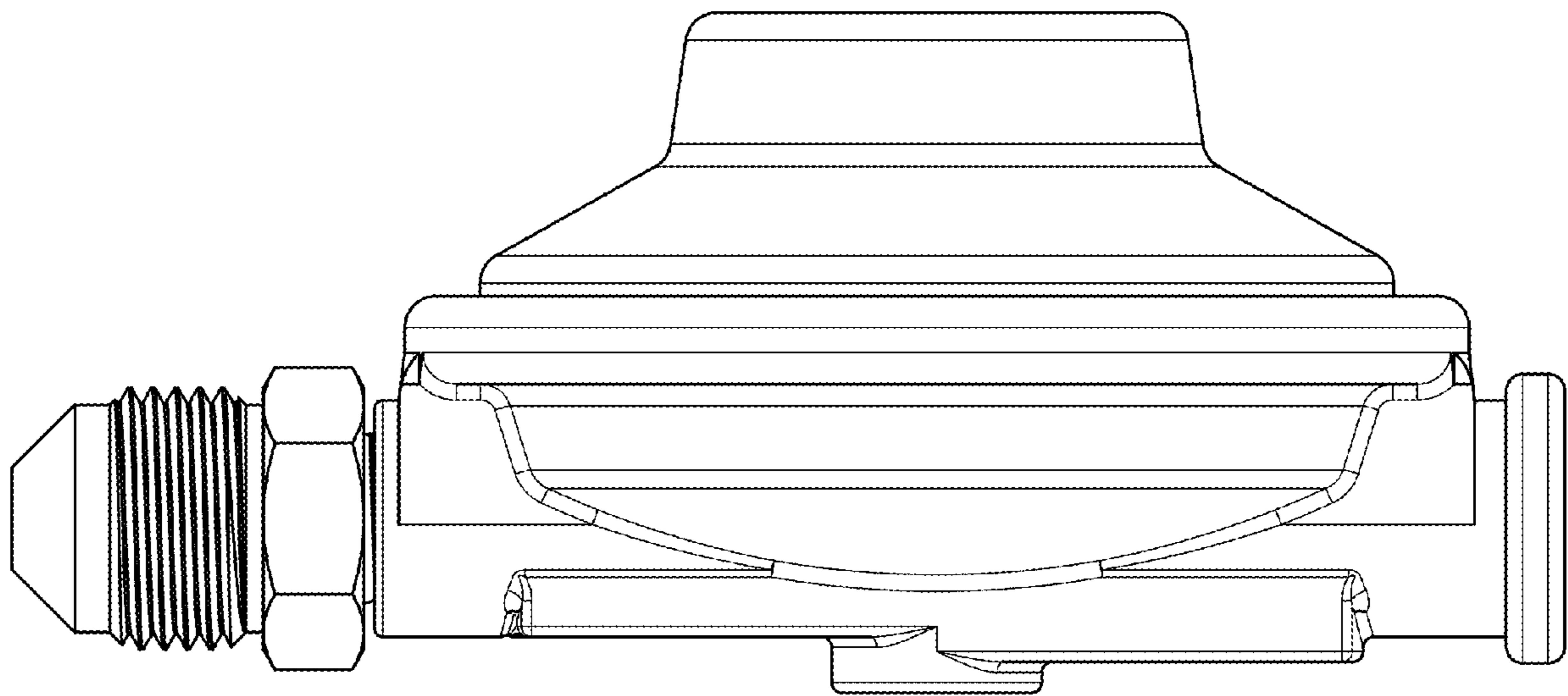


FIG 8