



US00D983321S

(12) **United States Design Patent** (10) **Patent No.:** **US D983,321 S**
Eads (45) **Date of Patent:** **** Apr. 11, 2023**

(54) **HANSHOWER**
(71) Applicant: **DELTA FAUCET COMPANY,**
Indianapolis, IN (US)
(72) Inventor: **Thad Eads,** Urbana, IN (US)
(73) Assignee: **DELTA FAUCET COMPANY,**
Indianapolis, IN (US)
(**) Term: **15 Years**

D753,794 S * 4/2016 Starck D23/223
D784,494 S * 4/2017 Wang D23/239
D787,634 S * 5/2017 Eads D23/223
D793,529 S * 8/2017 Garland D23/223
D803,352 S * 11/2017 Barber D23/223
D828,906 S * 9/2018 Lu D23/223
D832,975 S * 11/2018 Garuti D23/213
D843,549 S * 3/2019 Thurgood D23/223
D849,194 S * 5/2019 Lu D23/223
D853,525 S * 7/2019 Lu D23/223
D855,761 S * 8/2019 Quinn B05B 1/1627
D23/223

(Continued)

(21) Appl. No.: **29/683,518**
(22) Filed: **Mar. 13, 2019**
(51) **LOC (14) Cl.** **23-01**
(52) **U.S. Cl.**
USPC **D23/223**
(58) **Field of Classification Search**
USPC D23/213, 214, 215, 223, 224, 226, 229,
D23/230
CPC A61H 9/0021; A61H 33/00; B05B 1/00;
B05B 1/14; B05B 1/185; B05B 1/08;
B05B 1/02; B05B 1/26; B05B 12/002;
B05B 1/18; B05B 9/01
See application file for complete search history.

OTHER PUBLICATIONS

https://www.amazon.com/Moen-3988EPORB-Shower-Rubbed-Bronze/dp/B07CMCX9GC/ref=sr_1_fkmr0_2?keywords=Moen%2B-%2B189575%2B-%2BChrome%2Bsquare%2Bhandshower&qid=1580422836&sr=8-2-fkmr0&th=1 (Year: 2018).*

(Continued)

Primary Examiner — Keith J Wilson
(74) *Attorney, Agent, or Firm* — Jeffrey L. Doyle

(57) **CLAIM**

The ornamental design for a handshower, as shown and described.

DESCRIPTION

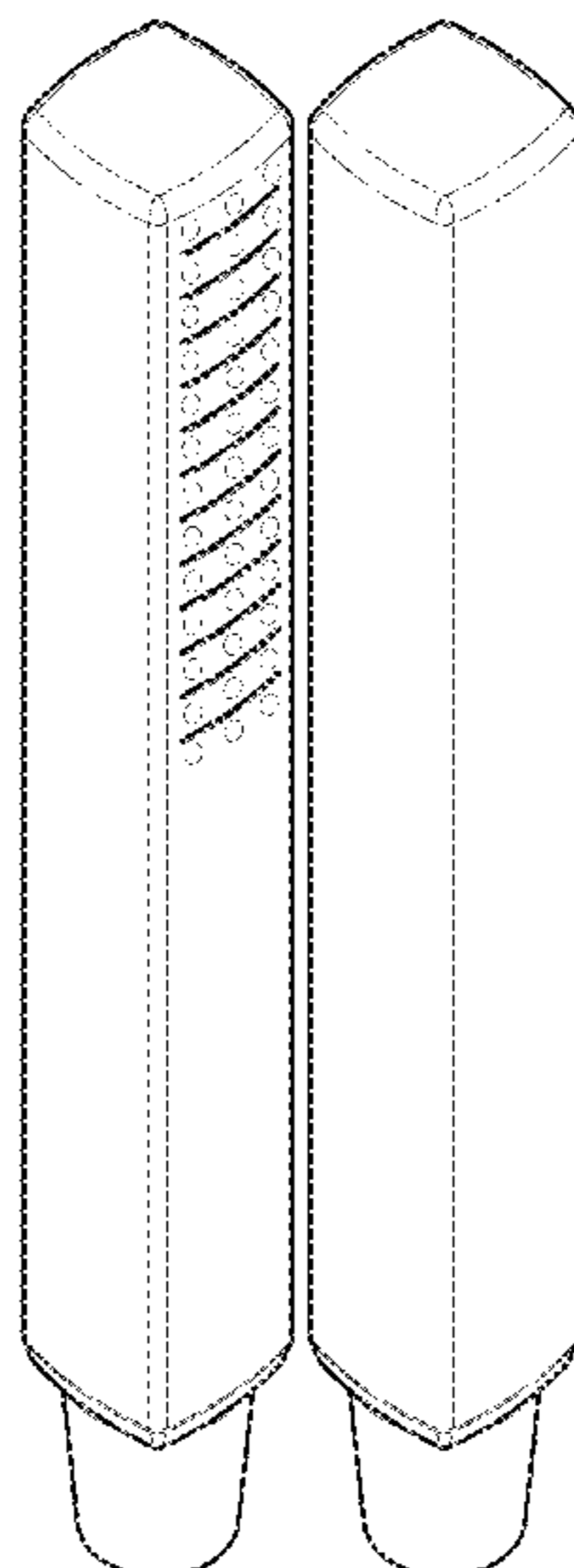
FIG. 1 is a front perspective view of a handshower showing my new design;
FIG. 2 is a rear perspective view thereof;
FIG. 3 is a front elevational view thereof;
FIG. 4 is a left side view thereof;
FIG. 5 is a rear view thereof;
FIG. 6 is a right side view thereof;
FIG. 7 is a top plan view thereof; and,
FIG. 8 is a bottom view thereof.
Portions of the article shown in phantom lines form no part of the claimed design.

1 Claim, 4 Drawing Sheets

(56) **References Cited**

U.S. PATENT DOCUMENTS

D228,908 S * 10/1973 Juhlin D23/223
D243,609 S * 3/1977 Mono D23/223
D270,559 S * 9/1983 Clivio D23/213
D283,832 S * 5/1986 Weinstein 222/108
D310,860 S * 9/1990 Delepine D23/213
D495,028 S * 8/2004 Jorgensen D23/223
D529,986 S * 10/2006 Chan D23/223
D538,395 S * 3/2007 Starck D23/223
D552,211 S * 10/2007 Toyohara D23/213
D553,708 S * 10/2007 Garner D23/213
D575,845 S * 8/2008 Lobermeier D23/223
D633,174 S * 2/2011 Lee D23/213
D642,659 S * 8/2011 Lammel D23/223
D656,219 S * 3/2012 Su D23/223



(56)

References Cited

U.S. PATENT DOCUMENTS

D868,208 S * 11/2019 Garland D23/223
D872,227 S * 1/2020 Ladwig D23/223
D875,210 S * 2/2020 Thurgood D23/223
D895,766 S * 9/2020 Schoenherr D23/213
D932,591 S * 10/2021 Thun D23/223
D936,786 S * 11/2021 Cox D23/213
D937,971 S * 12/2021 Gutman D23/223
D940,274 S * 1/2022 Zhang D23/226
2017/0216854 A1 * 8/2017 Thurgood B05B 1/205

OTHER PUBLICATIONS

Speakman VS-3023 Kubos Hand Shower Wand, 2.5 GPM, Polished Chrome, Dec. 4, 2018, amazon.ca, Feb. 4, 2022, URL: <https://www.amazon.ca/Speakman-VS-3023-BN-Shower-Brushed-Nickel/dp/B079V37HX4/> (Year: 2018).*

American Standard 1660608.002 Square Minimalist Hand Shower, Polished Chrome, Feb. 22, 2018, amazon.ca, Feb. 4, 2022, URL: https://www.amazon.ca/dp/B075RC7QY9/ref=sbl_dpx_ca-home-improvement-bathroom-handheld-showerheads_B079V37HX4_0?th=1 (Year: 2018).*

Kohler 45203-GR-CP Grey Handle, Apr. 11, 2012, amazon.com, May 17, 2022, URL: https://www.amazon.com/dp/B00732SCP8/ref=sbl_dpx_home-improvement-bathroom-handheld-showerheads_B079TYCFVQ_0 (Year: 2012).*

Delta Faucet 5-Spray Touch-Clean H2Okinetic Wall-Mount Hand Held Shower, Sep. 6, 2016, amazon.com, May 17, 2022, URL: <https://www.amazon.com/5-Spray-Touch-Clean-H2Okinetic-Wall-Mount-55140/dp/B01L8Q4SU2/> (Year: 2016).*

* cited by examiner

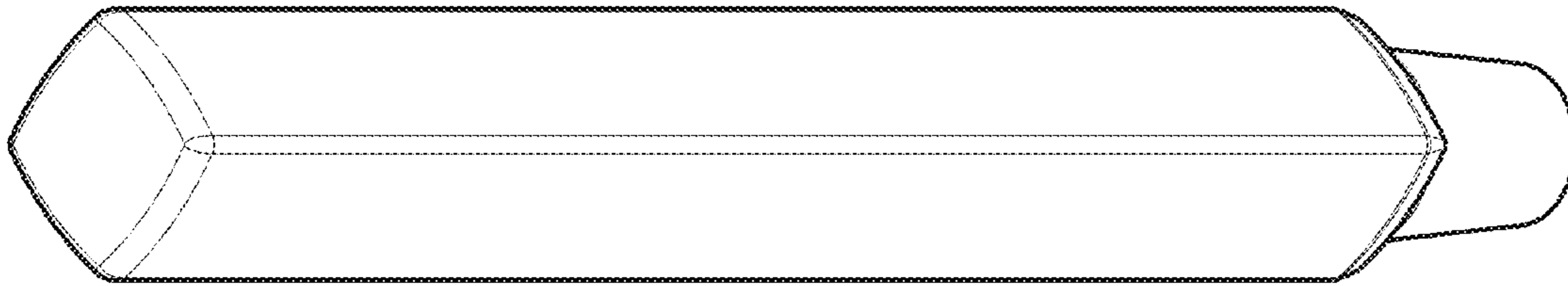


FIG - 2

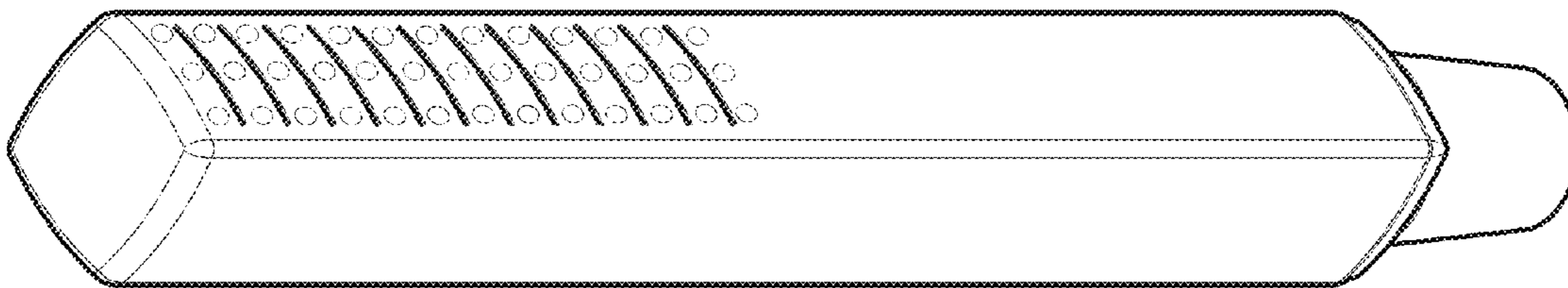


FIG - 1



FIG - 4

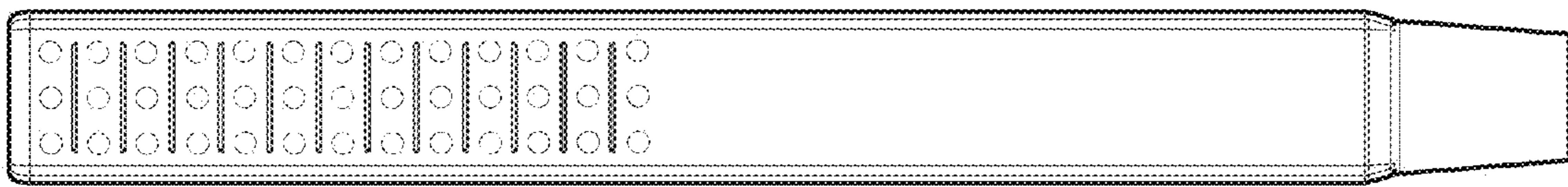


FIG - 3



FIG - 6

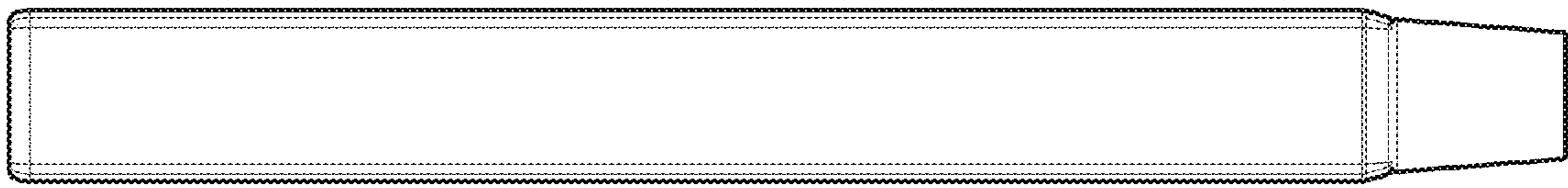


FIG - 5

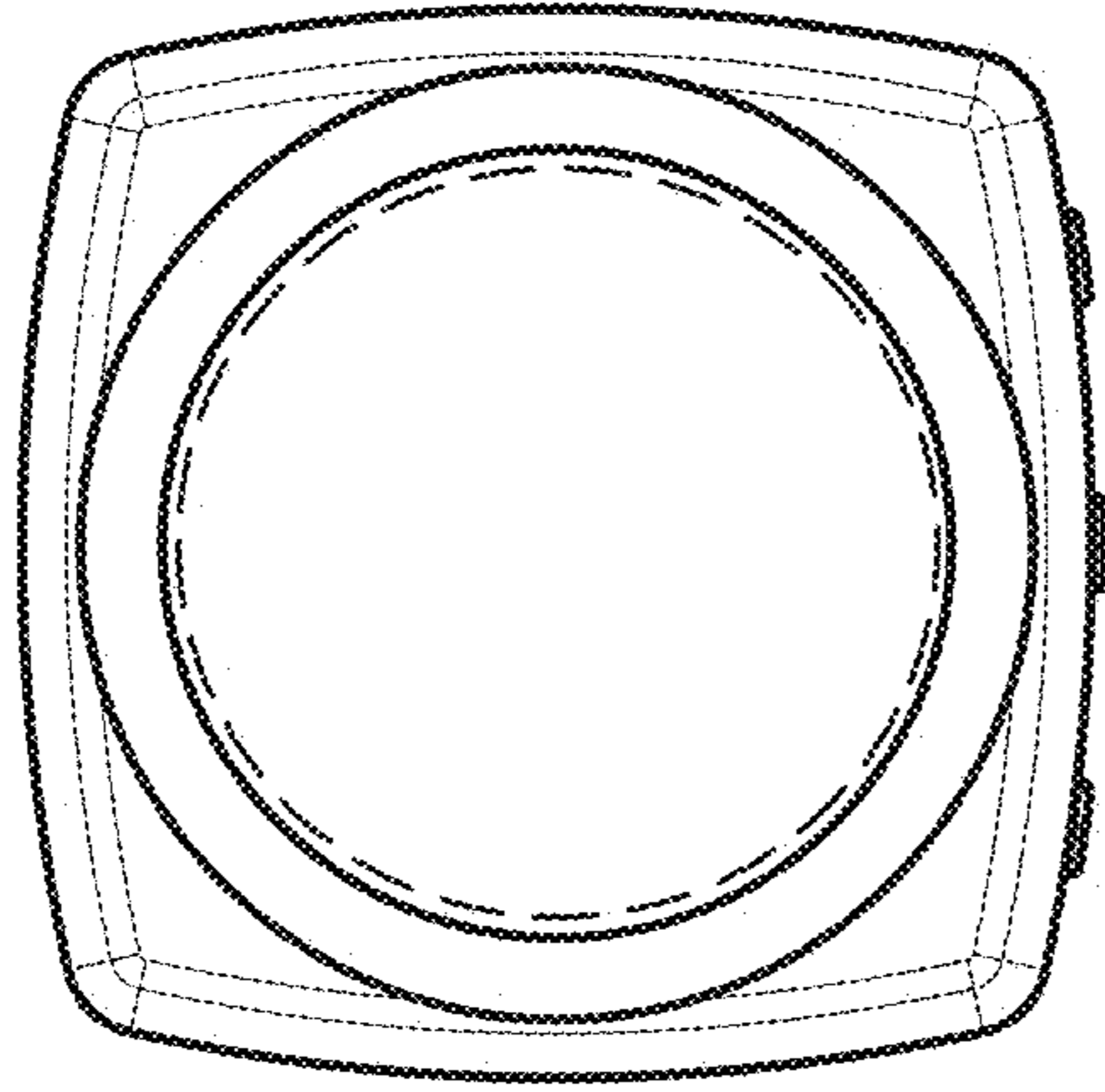


FIG - 8

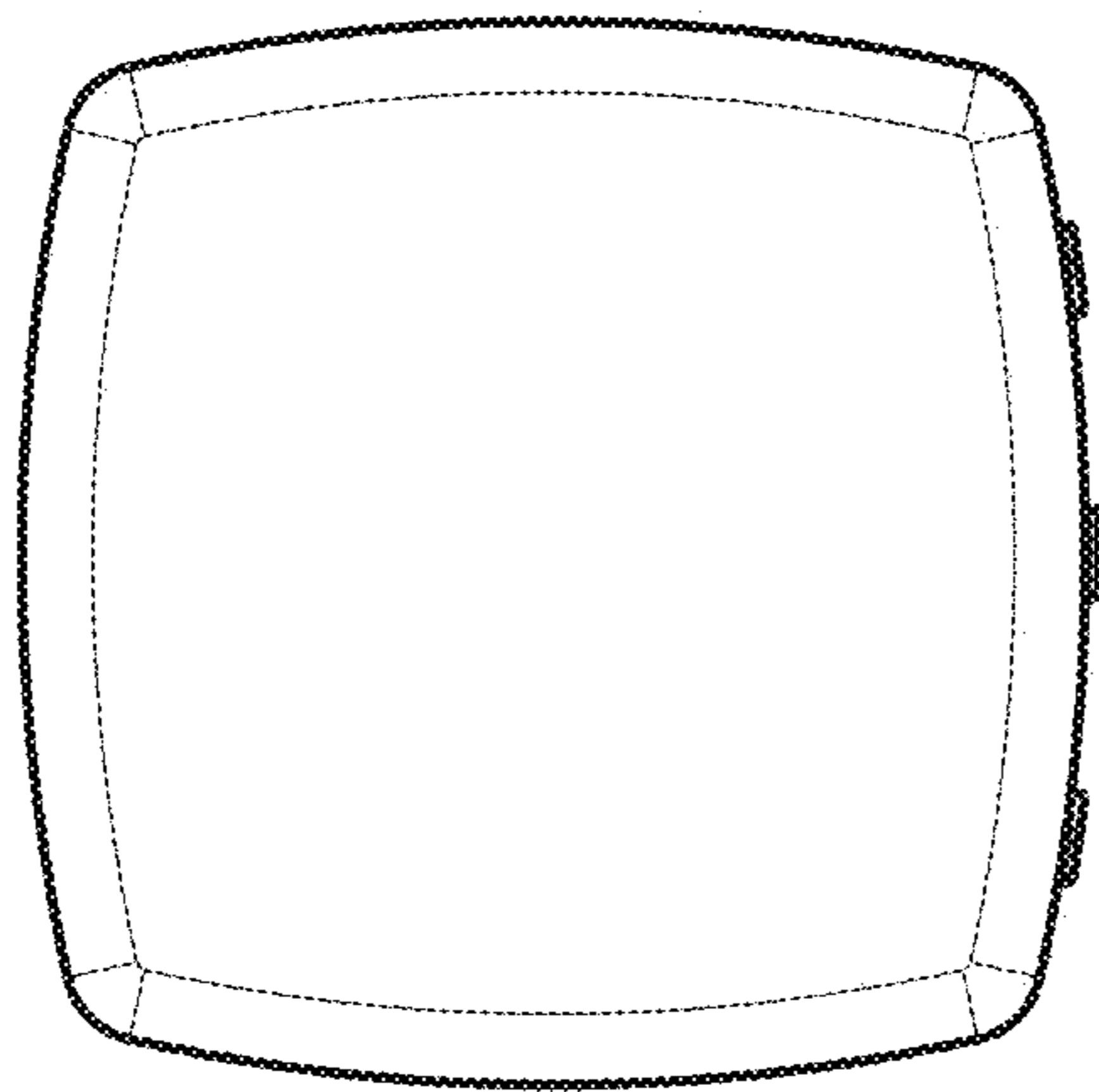


FIG - 7