



US00D983320S

(12) **United States Design Patent**  
**König et al.**

(10) **Patent No.:** **US D983,320 S**  
(45) **Date of Patent:** **\*\* Apr. 11, 2023**

(54) **DISPENSER FOR A WATER PURIFIER**

(71) Applicant: **Merck Patent GmbH**, Darmstadt (DE)

(72) Inventors: **Camillo König**, Darmstadt (DE); **Dény Saraliev**, Darmstadt (DE); **Fabien Jeannerot**, Darmstadt (DE); **Gérald Lelong**, Darmstadt (DE)

(73) Assignee: **Merck Patent GmbH**, Darmstadt (DE)

(\*\*) Term: **15 Years**

(21) Appl. No.: **29/786,142**

(22) Filed: **May 28, 2021**

(30) **Foreign Application Priority Data**

Nov. 30, 2020 (EM) ..... 008302392-0003

(51) **LOC (14) Cl.** ..... **23-01**

(52) **U.S. Cl.**  
USPC ..... **D23/213**

(58) **Field of Classification Search**  
USPC ..... D23/206–207, 209, 213, 214, 215, 223,  
D23/224, 225, 226, 229, 230, 238, 255;  
D7/306–308, 313, 387  
CPC ..... A61H 9/0021; A61H 33/00; B05B 1/00;  
B05B 1/14; B05B 1/185; B05B 1/08;  
B05B 1/02; B05B 1/26; B05B 12/002;  
B05B 1/18; B05B 9/01  
See application file for complete search history.

(56) **References Cited**

**U.S. PATENT DOCUMENTS**

3,861,569 A \* 1/1975 Johnston ..... B67D 1/0832  
222/400.7  
4,341,240 A \* 7/1982 Cerrato ..... B67D 1/0832  
222/400.7  
5,722,567 A \* 3/1998 Jones ..... B67D 1/08  
222/400.7  
D475,241 S \* 6/2003 Mattiuzzo ..... D7/397

D595,391 S \* 6/2009 Weltman ..... D23/268  
D690,800 S \* 10/2013 Ren ..... D23/233  
9,469,519 B2 \* 10/2016 Keeling ..... B67D 1/08  
D776,238 S \* 1/2017 Kremerman ..... D23/207  
9,834,427 B2 \* 12/2017 Williams ..... B67D 1/0081

(Continued)

**OTHER PUBLICATIONS**

4 inch Shank Kegerator Draft Beer Tap PERA, Jul. 31, 2020, amazon.ca, Jan. 12, 2023, URL: <https://www.amazon.ca/Brewing-Kegging-Adjustable-Kegerator-PERA/dp/B08BNKH3L8/> (Year: 2020).\*

(Continued)

*Primary Examiner* — Keith J Wilson

(74) *Attorney, Agent, or Firm* — Edell, Shapiro & Finnan, LLC

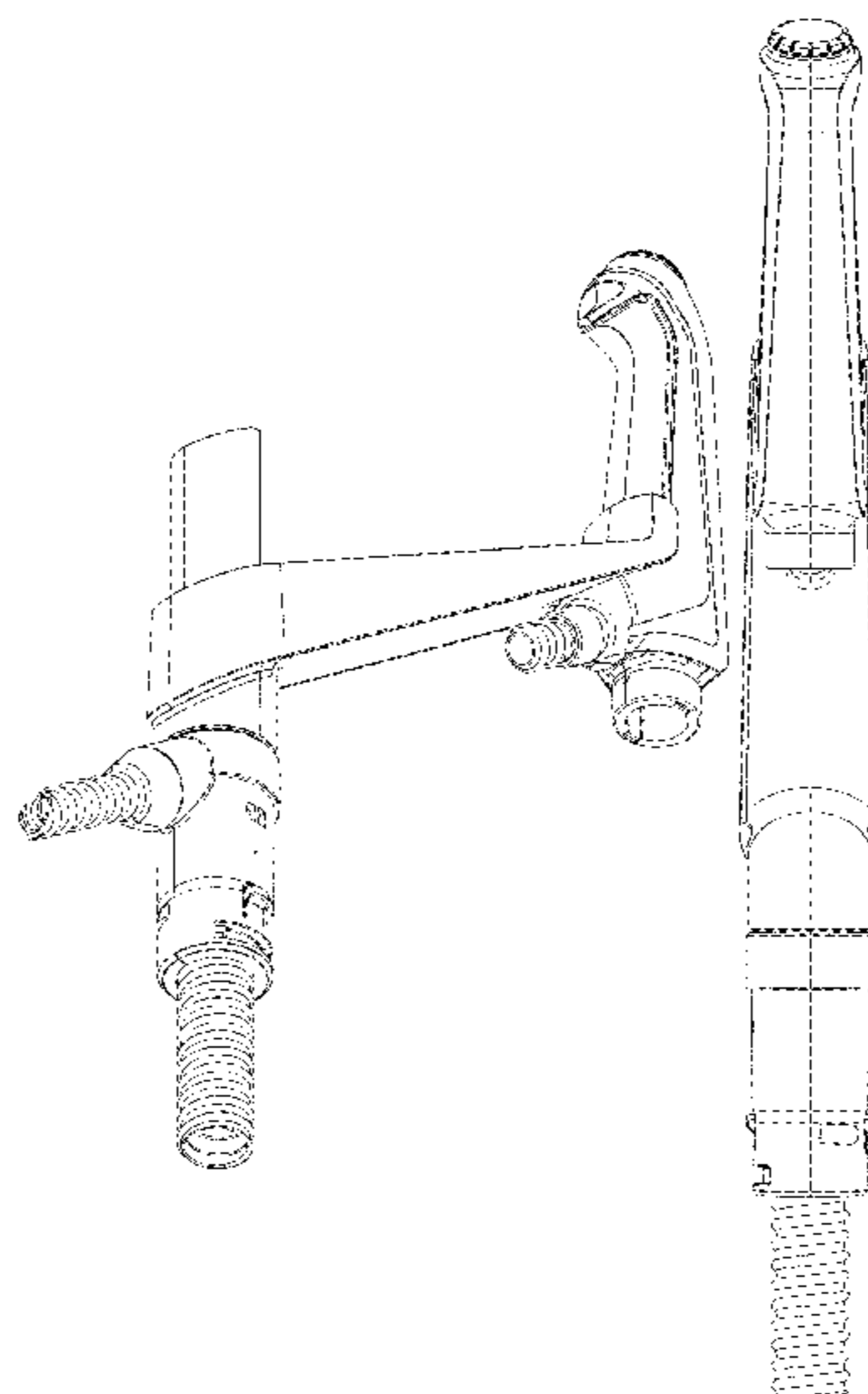
(57) **CLAIM**

The ornamental design for a dispenser for a water purifier, as shown and described.

**DESCRIPTION**

FIG. 1 is a front, right, top perspective view of a dispenser for a water purifier.  
FIG. 2 is a rear, left, bottom perspective view of the dispenser for a water purifier of FIG. 1.  
FIG. 3 is a front elevation view of the dispenser for a water purifier of FIG. 1.  
FIG. 4 is a rear elevation view of the dispenser for a water purifier of FIG. 1.  
FIG. 5 is a left side elevation view of the dispenser for a water purifier of FIG. 1.  
FIG. 6 is a right side elevation view of the dispenser for a water purifier of FIG. 1.  
FIG. 7 is a top plan view of the Dispenser for a Water Purifier of FIG. 1; and,  
FIG. 8 is a bottom plan view of the dispenser for a water purifier of FIG. 1.

**1 Claim, 6 Drawing Sheets**



(56)

**References Cited**

U.S. PATENT DOCUMENTS

D841,119 S \* 2/2019 Huang ..... D23/207  
D877,856 S \* 3/2020 Maibach, Jr. .... D23/207  
D963,813 S \* 9/2022 Downie ..... D23/262  
2007/0209707 A1\* 9/2007 Weltman ..... E03C 1/296  
137/247.25  
2019/0031484 A1\* 1/2019 Allgood ..... B67D 1/0842  
2022/0386561 A1\* 12/2022 Yu ..... A01K 5/0135

OTHER PUBLICATIONS

Beer Keg Coupler D System Tap Lever, Aug. 14, 2019, amazon.ca,  
Jan. 12, 2023, URL: <https://www.amazon.ca/Coupler-System-Handle-Pressure-Domestic/dp/B07WGMWNH6/> (Year: 2019).\*

\* cited by examiner

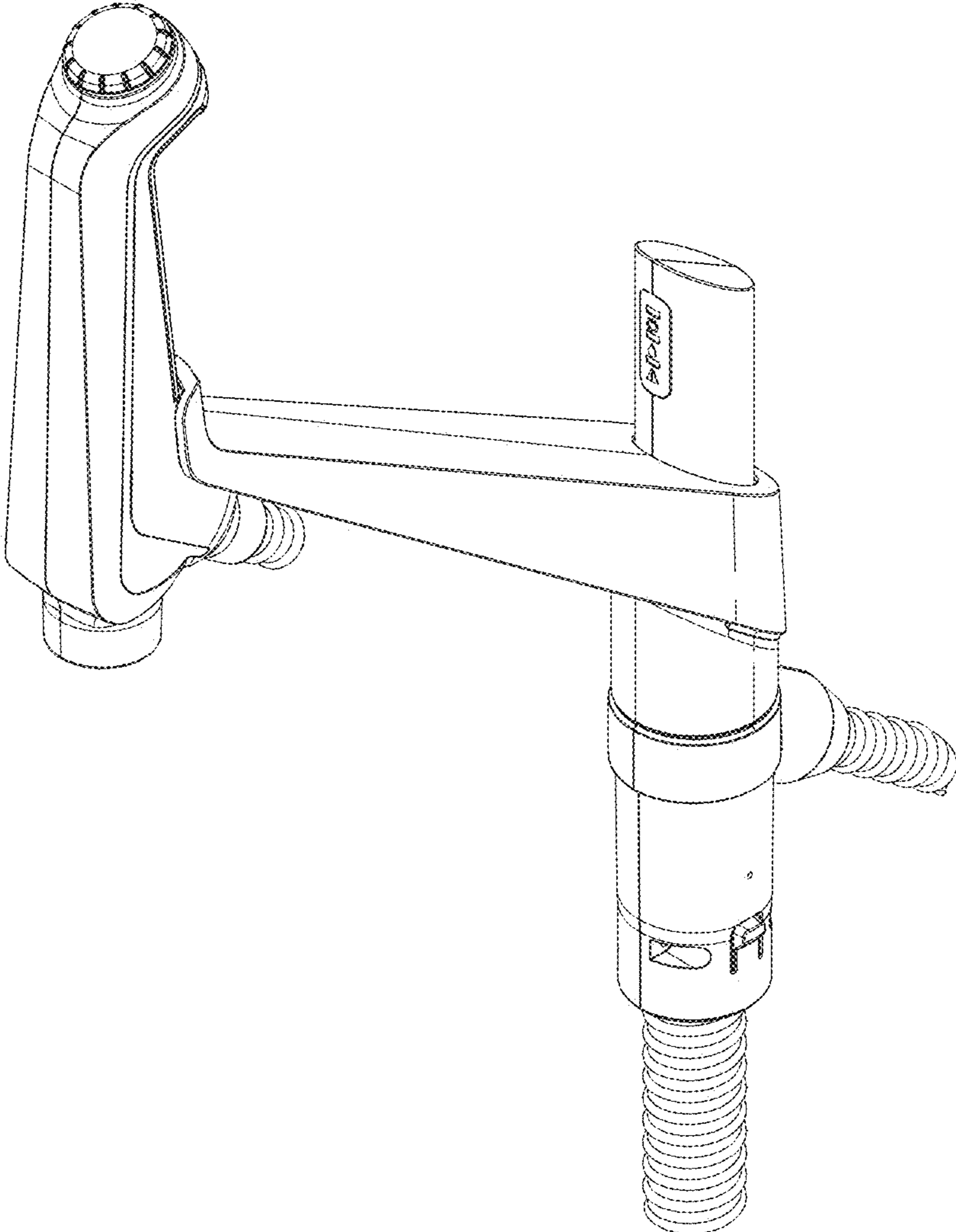


FIG.1

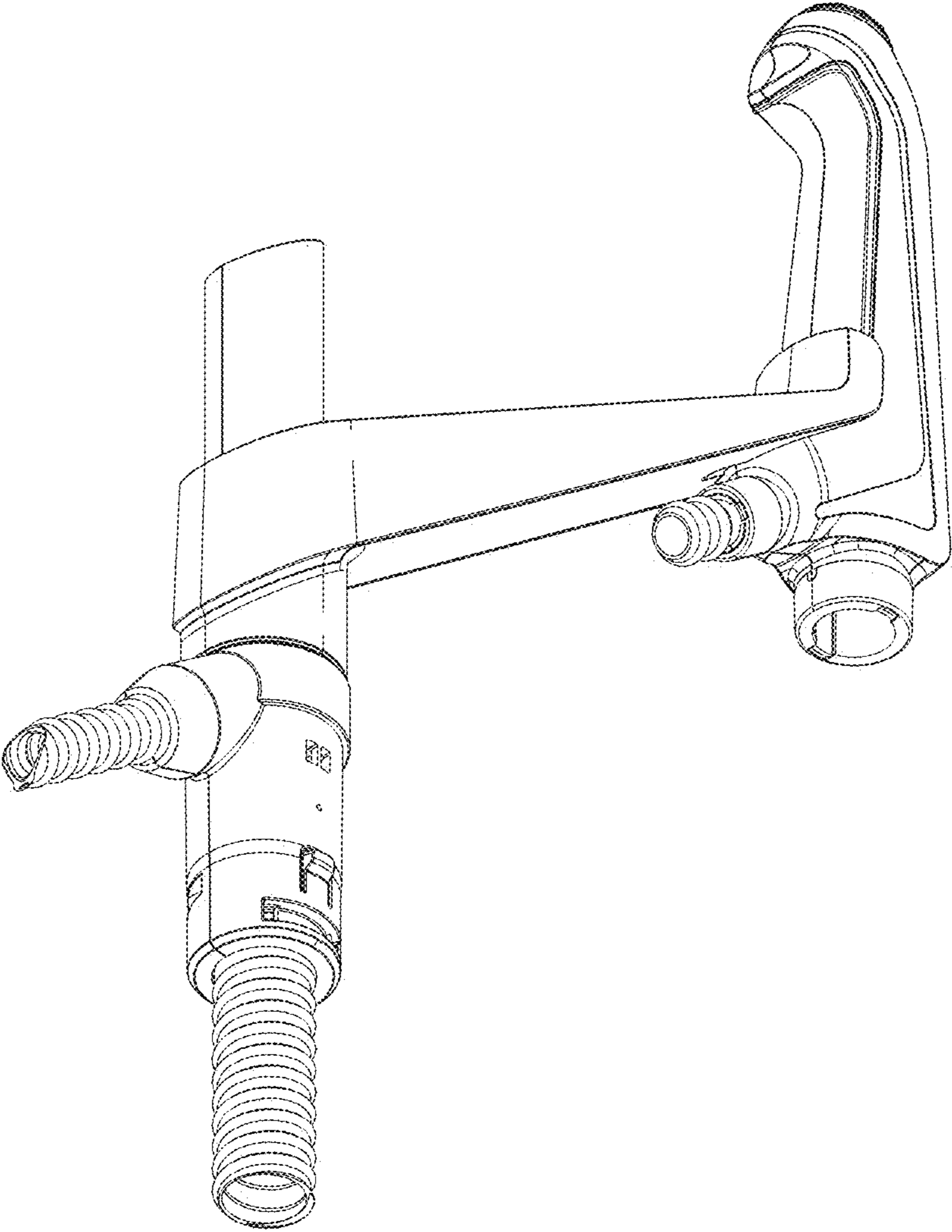


FIG.2

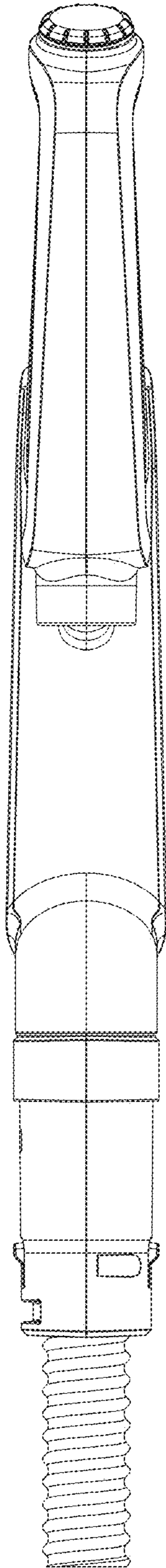


FIG.3

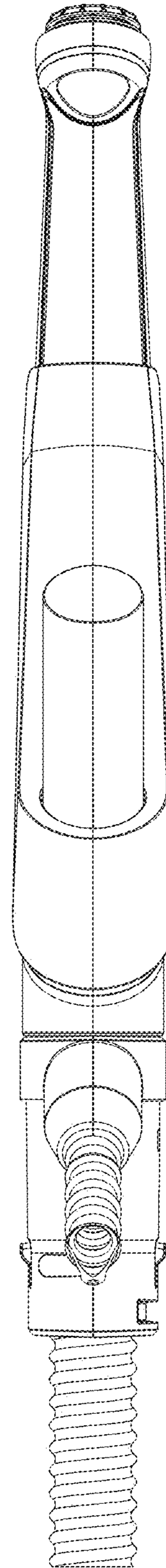


FIG.4

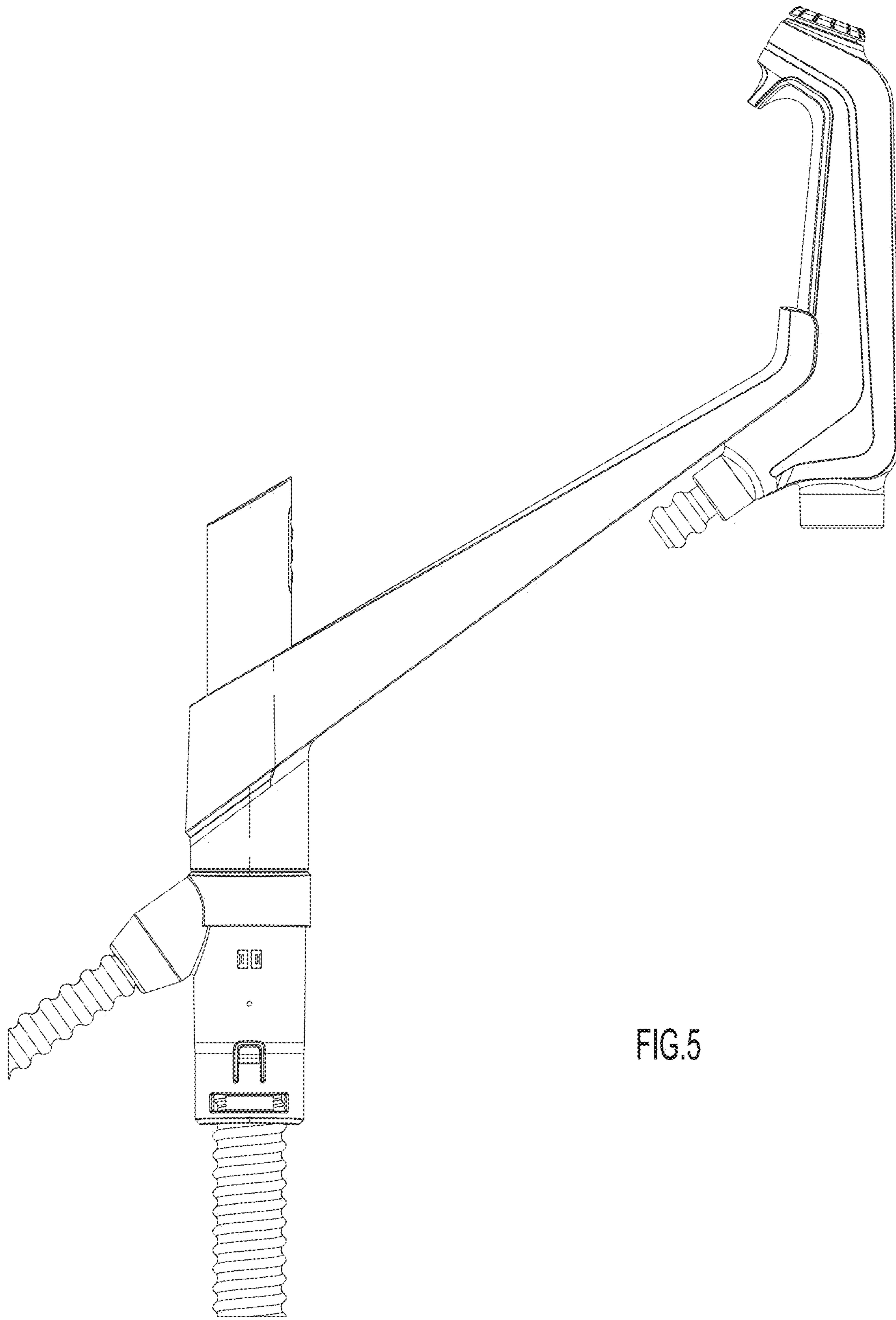


FIG. 5

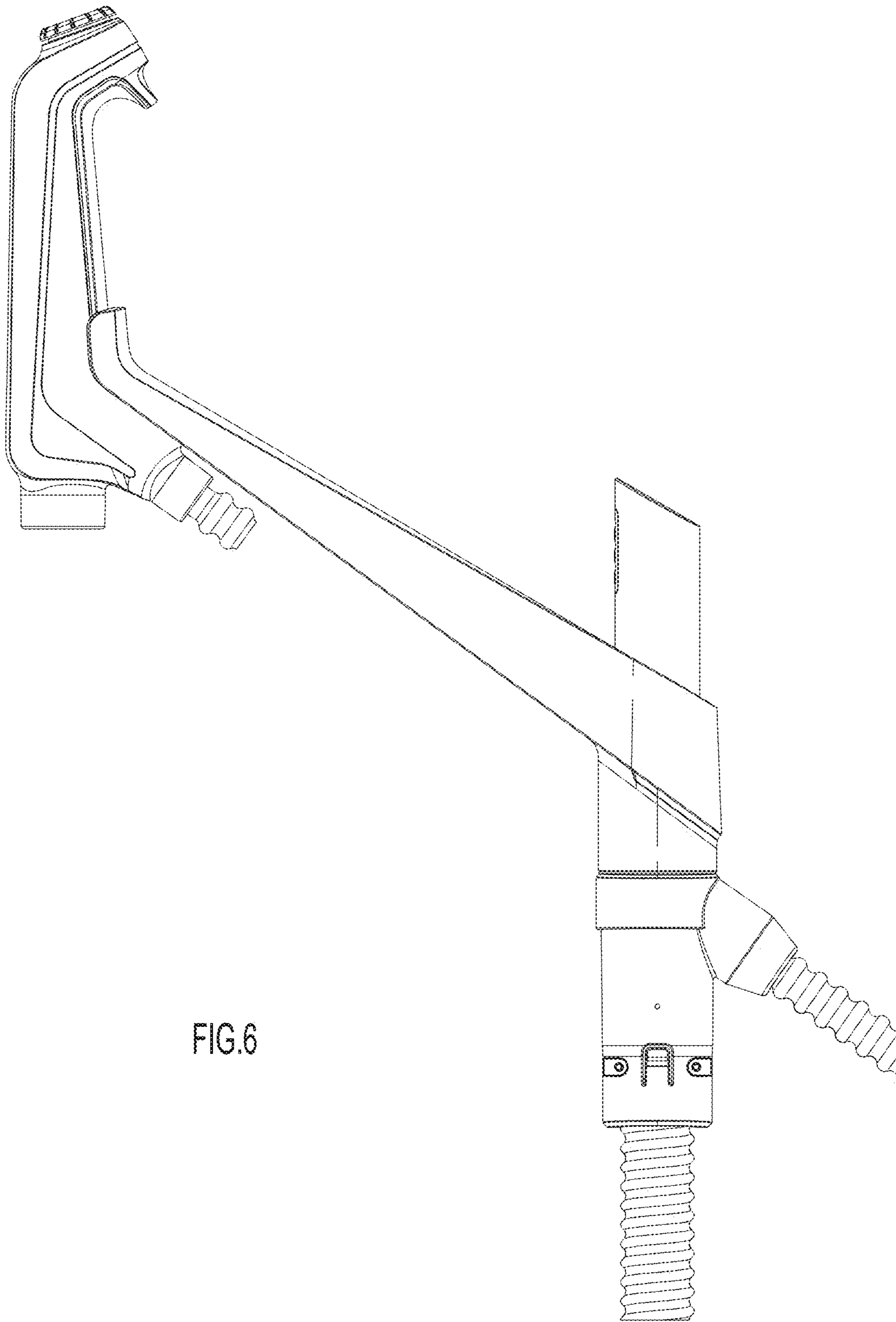


FIG. 6

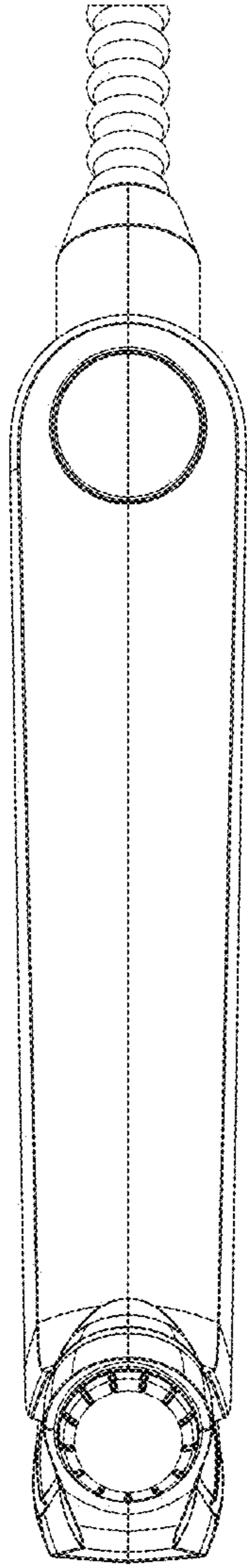


FIG.7

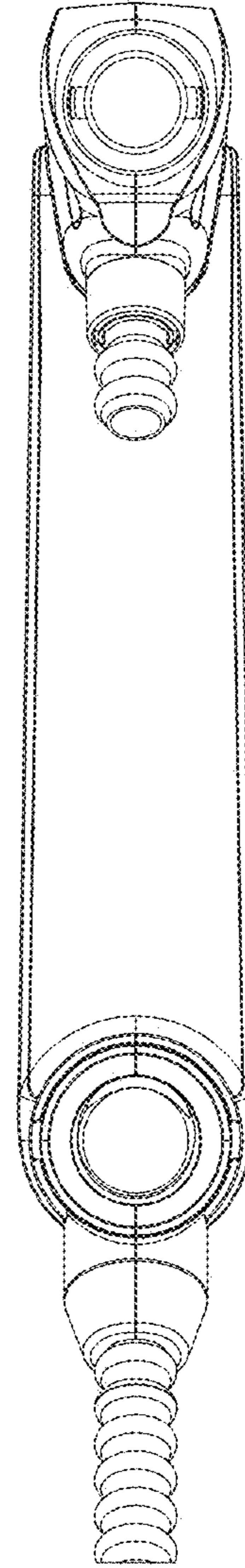


FIG.8